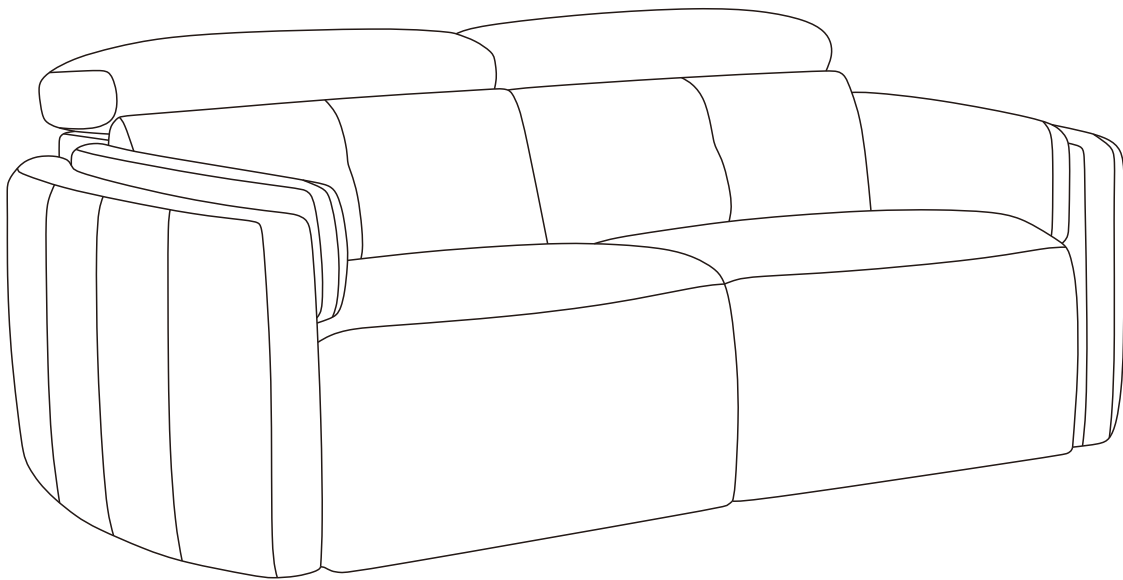


# Zero Gravity Power Reclining Sofa KM.6139 Assembly Manual



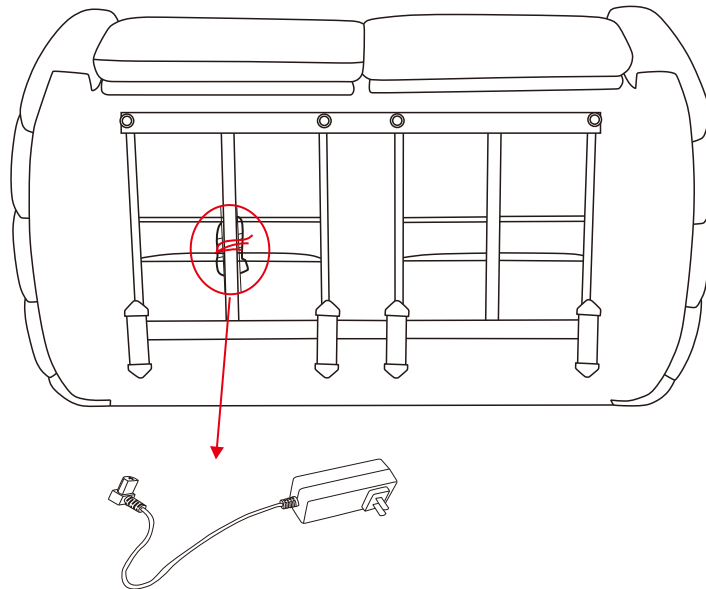
 **CAUTION**

THIS ASSEMBLY MANUAL CONTAINS IMPORTANT SAFETY INFORMATION.  
PLEASE READ AND KEEP FOR FUTURE REFERENCE.

## ASSEMBLY

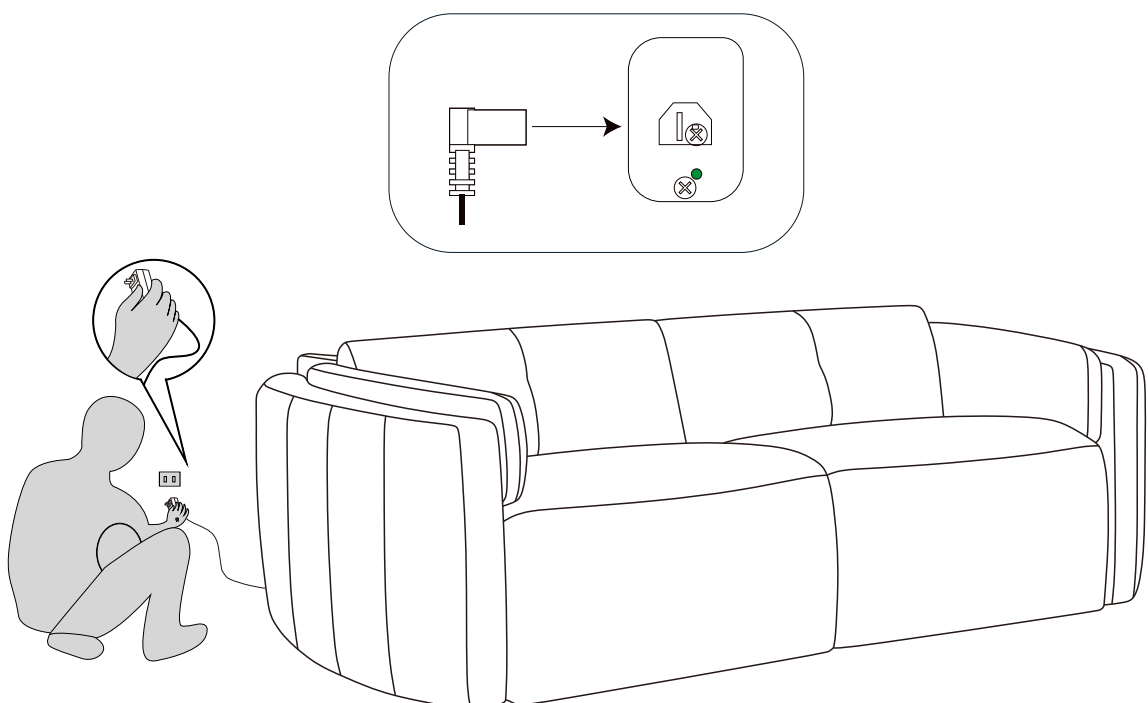
### Step 1

Take out and unwarp the cable placed at the bottom of the sofa.



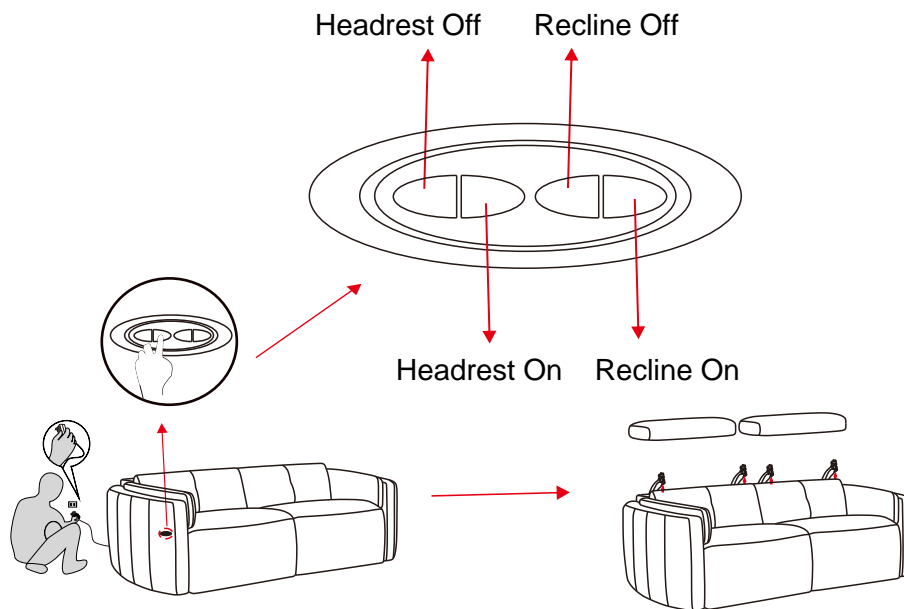
### Step 2

Connect one end of the power cord into the DC adaptor located at the back of the seat. Plug the other end of power cord into the power outlet.



**Step 3**

Press the button as shown below to fully extend the headrest metal frame.



**Step 4**

Attach the headrest cushion by aligning the brackets with the metal frame, hooking them in place, and pressing down until it clicks securely.

Assembly is completed.

