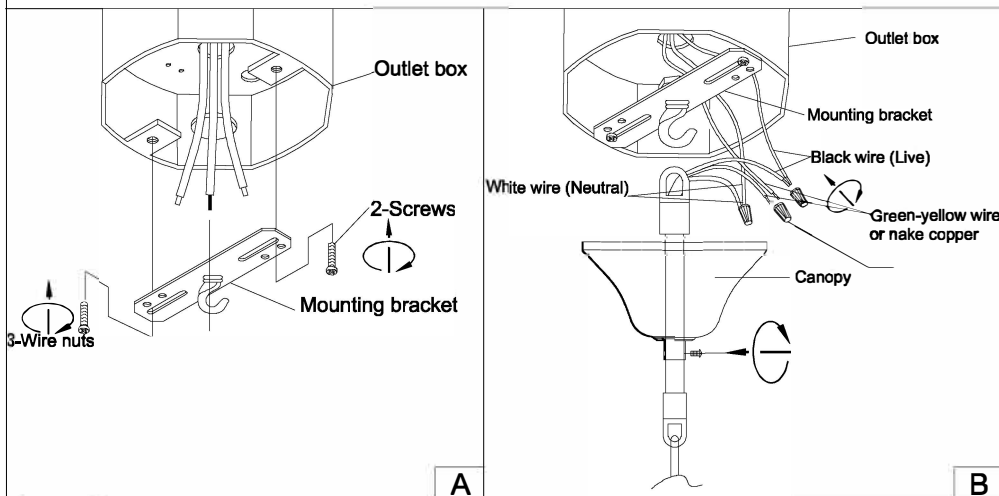


# Product installation diagram



## Installation steps:

- 1: open the package to see if there are incomplete parts, according to the drawings to check whether the accessories are complete;
- 2: According to the lamp body supporting light source (light bulb or lamp cup) installed;
- 3: Put crystal jewelry or other accessories in order on the drawing.
- 4: Use a clean cotton cloth to polish the crystal or other parts;

## Precautions:

- 1: Wear gloves when installing;
- 2: Do not install on a table or floor where gray water is not yet dry or wet.
- 3: Please cut off the power supply during installation to prevent electric shock.
- 4: Please cut off the power supply when cleaning or overhauling, please clean with non-corrosive cleaning agent when cleaning;
- 5: When replacing the lamp, please turn off the power and allow the lamp to cool before proceeding to avoid burns.

