



---

## Deep Trough Planter Box

### Installation Guide

---

### Thank You!

You're only a few steps away from your perfect vegetable garden or elevated planter. We hope you enjoy!

Model# E213612 / E213612G  
Dimensions 36" L x 12" W x 21" H

### Before You Start

Please read the instructions carefully to familiarize yourself with every detail and step involved. Keep this manual for future reference. Find a suitable space to assemble your new Trough Planter Box.

You need at least 37" x 13" (94 x 33cm) for the finished product. A flat and firm area (like a garage floor or flat yard space) is perfect! The only tool you may need is a rubber mallet.

### Important Notes

Small parts are included; we advise you to keep them away from children and pets.

We also suggest having another person help you assemble. Maximum Load Capacity: approximately 4 cu. ft. of soil

★ **Subscribe at [www.everbloom-garden.com](http://www.everbloom-garden.com) for extra savings and upgrading information!**



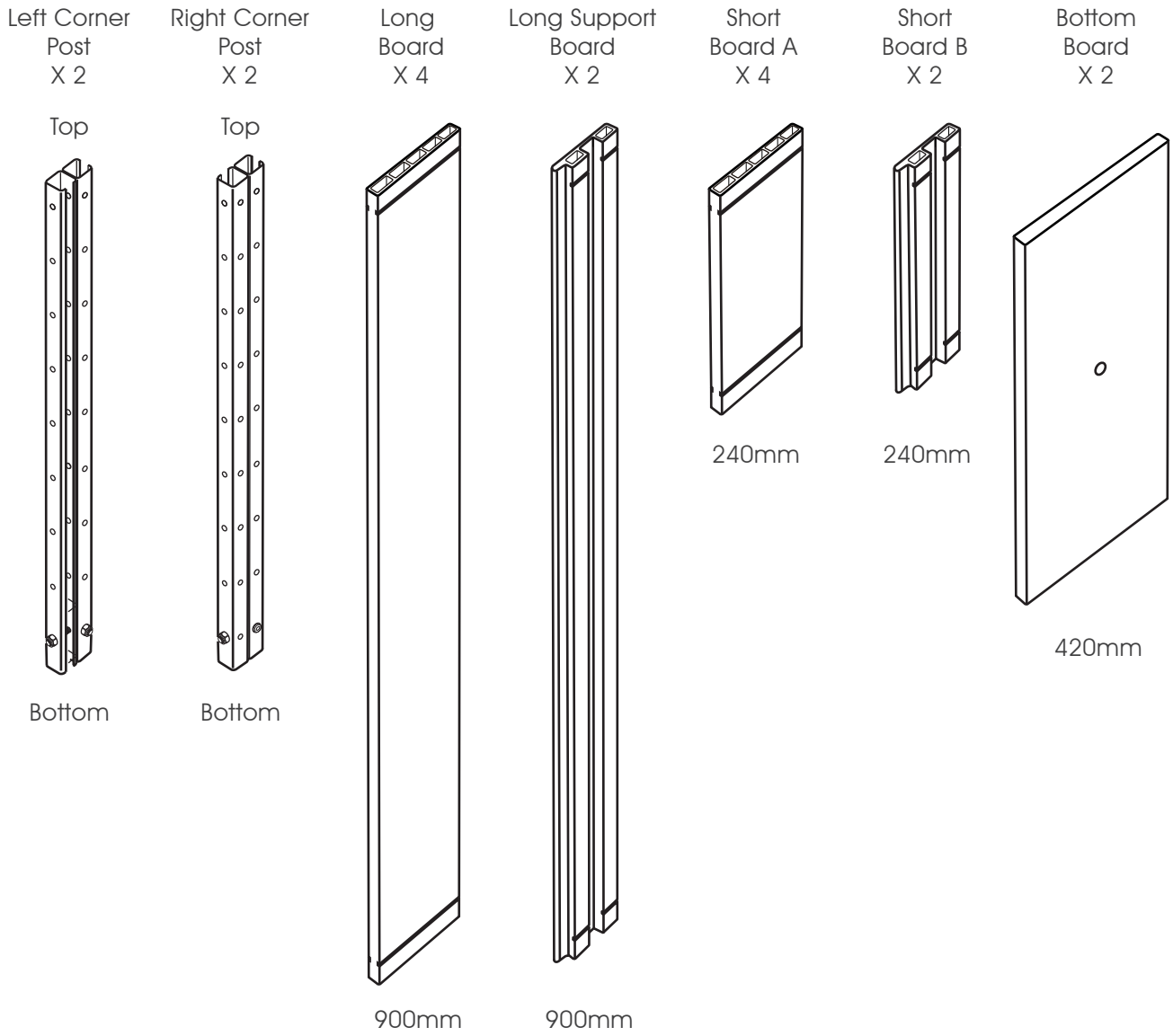
**Everbloom-Garden.com**

Questions or Comments?

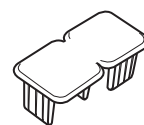
Email us at [service@everbloom-garden.com](mailto:service@everbloom-garden.com)

# Parts List

Deep Trough Planter Box - 36" L x 12" W x 21" H



Post Cap  
X 4



+ 2pc replacement

Garden Bed Liner  
X 1



# Assembly

Deep Trough Planter Box - 36" L x 12" W x 21" H

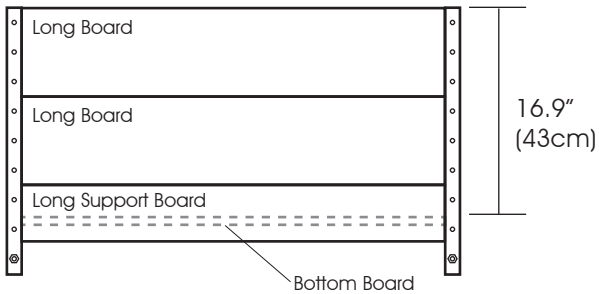
Four depths are available by changing the sequence of the boards and position of the bottom boards, as shown in below images. You can choose according to different needs first.

\* For depth of 16.9" and 10" as shown in Image 1, please refer to steps from page 4.

\* For depth of 14.4" and 7.5" as shown in Image 2, please refer to steps from page 10.

IMAGE 1

Depth 1 - 16.9" from page 4



Depth 2 - 10" from page 4

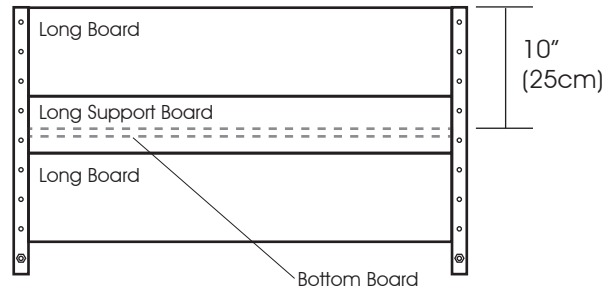
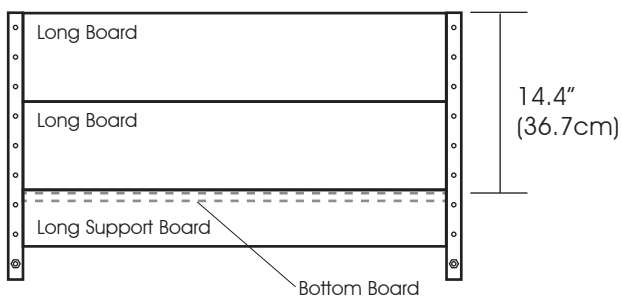
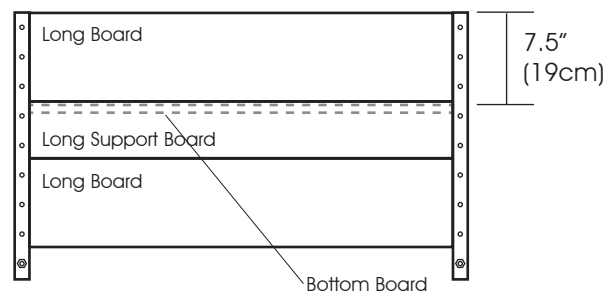


IMAGE 2

Depth 4 - 14.4" from page 10



Depth 5 - 7.3" from page 10



# Assembly

Deep Trough Planter Box - 36" L x 12" W x 21" H

*For the deepest planting depth of 16.9", please follow steps below.*

*For depth of 10", the assembly methods are similar, just pay attention to the sequence of the boards and position of the bottom boards, please refer to page 3.*

Start by making sure each corner post is oriented correctly, as shown in Image 3. Slide one short board B into the corner brackets from above.

Note: The short boards need to be placed in the inward "U" shape of the brackets, as shown in Image 4.

IMAGE 3

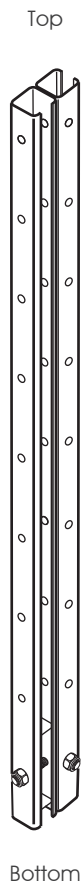
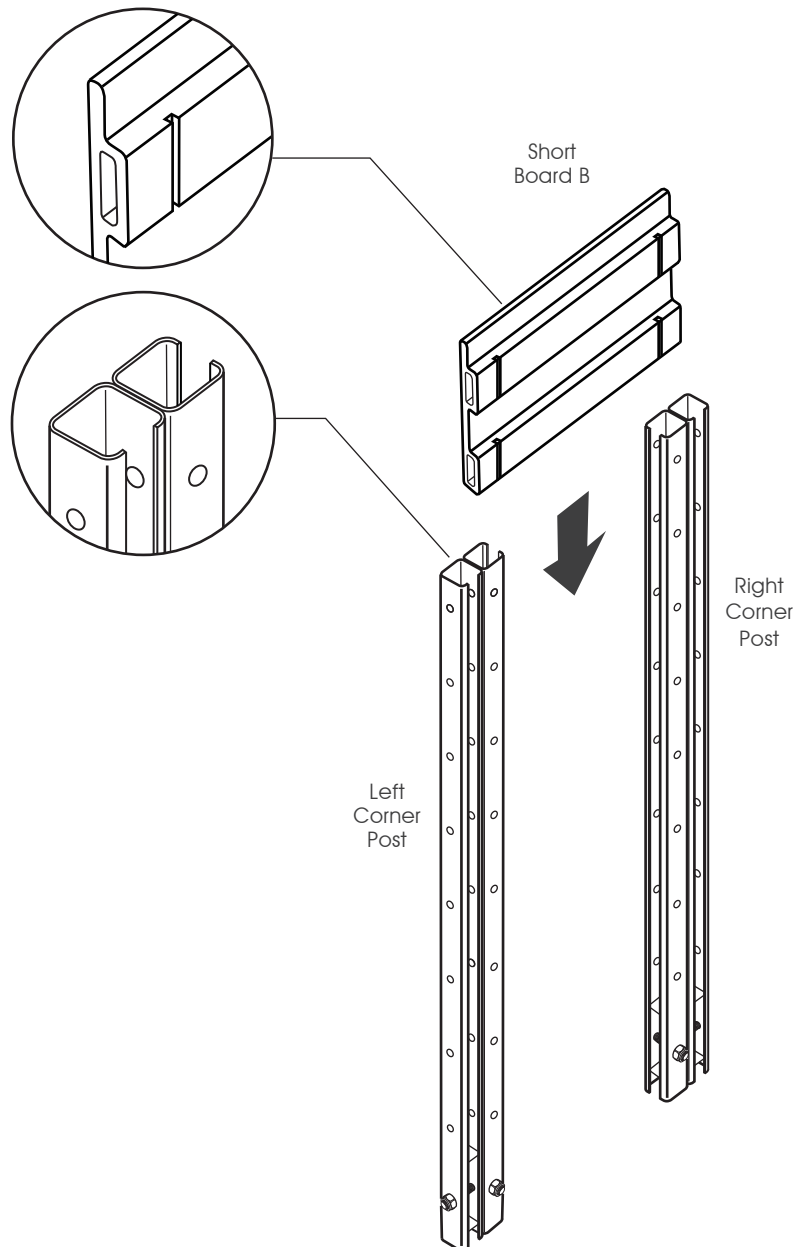


IMAGE 4



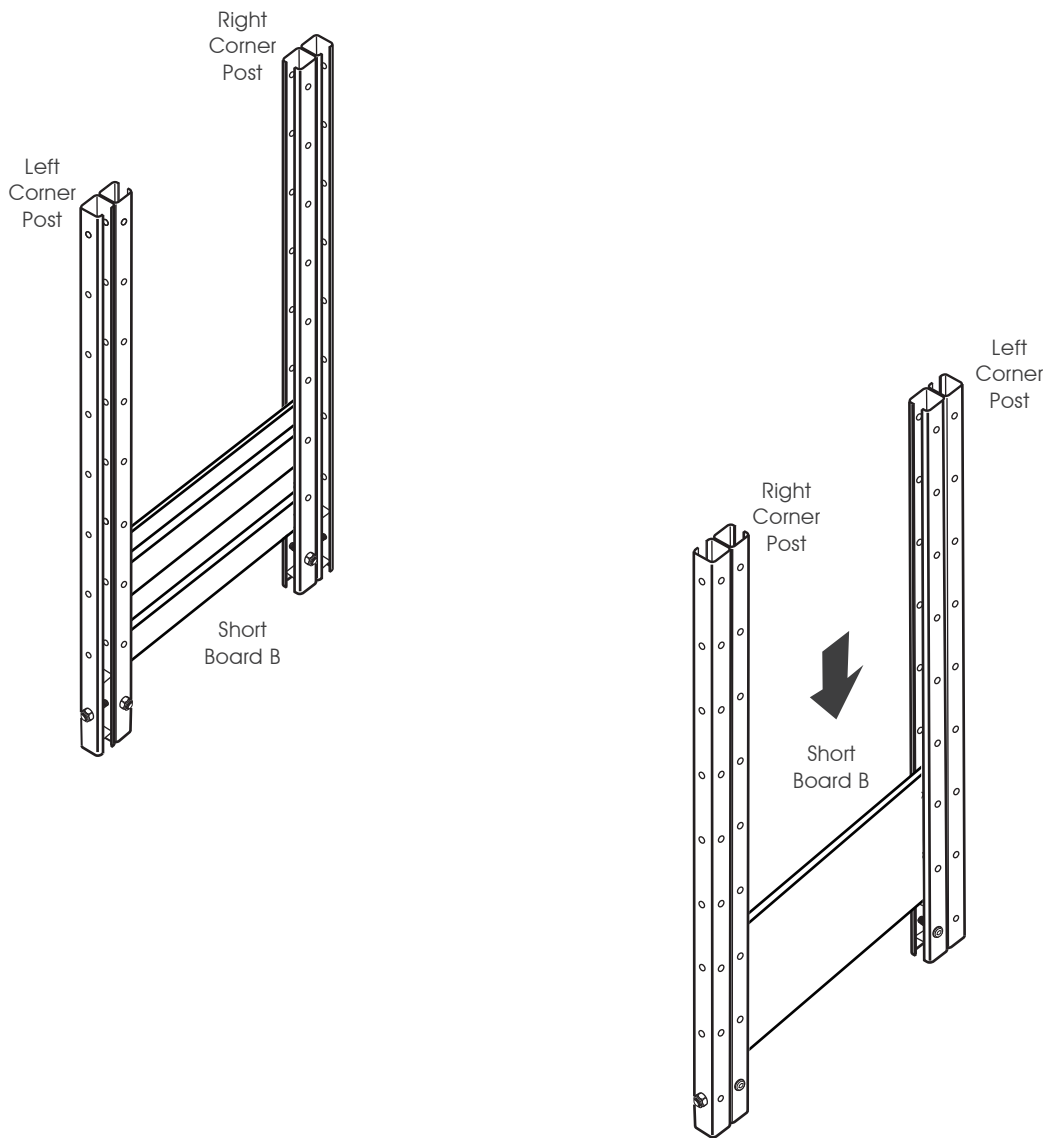
# Assembly

Deep Trough Planter Box - 36" L x 12" W x 21" H

---

Slide another short board B into the other two corner brackets from above, as shown in Image 5.

IMAGE 5

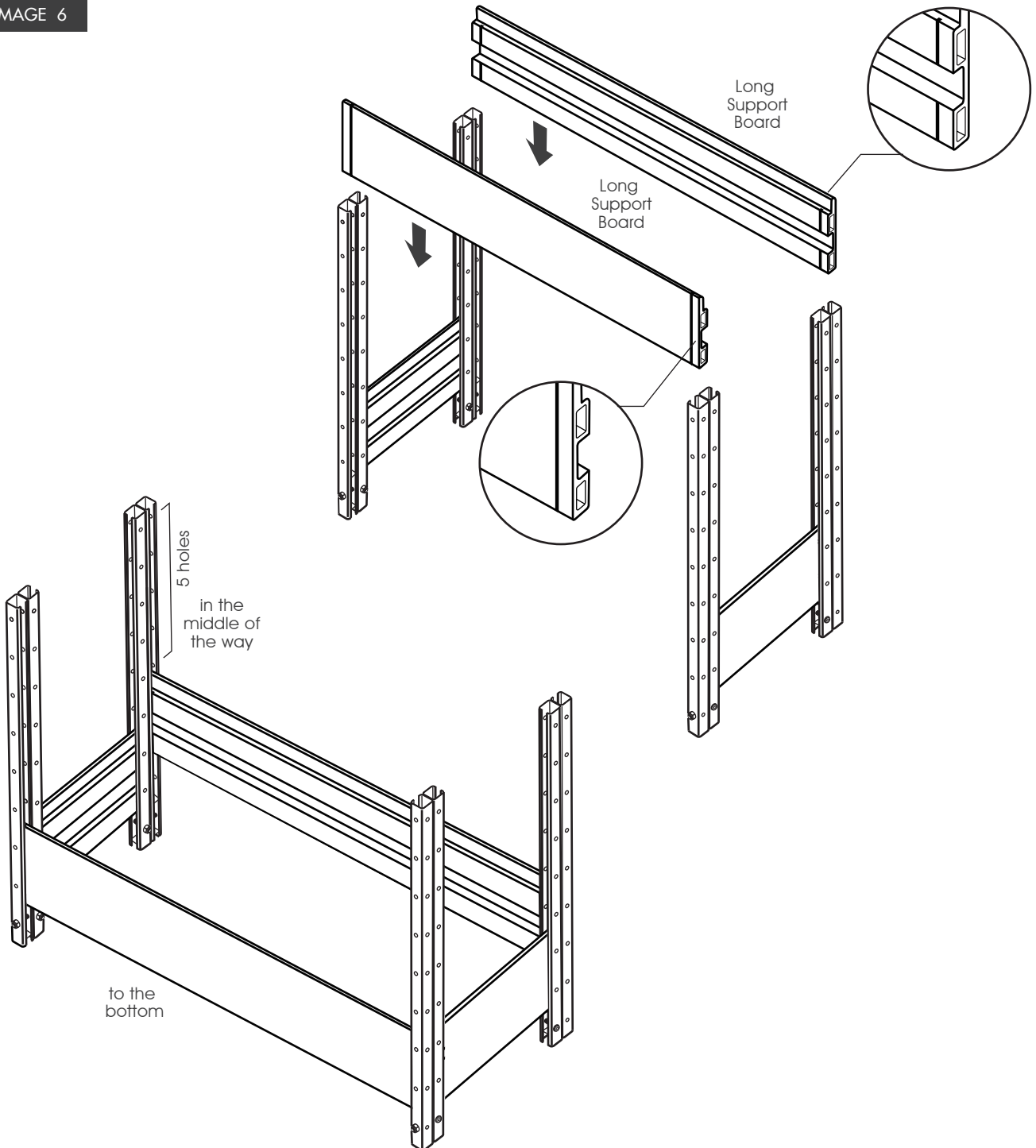


# Assembly

## Deep Trough Planter Box - 36" L x 12" W x 21" H

With the help of another person holding the 2 assembled parts, slide the 2 long supporting boards into the brackets from above. Make sure that one support board goes straight to the bottom, while the other one stays in the middle of the way (don't push it to the bottom), with the top edge between the 5th and 6th holes of the post.

IMAGE 6





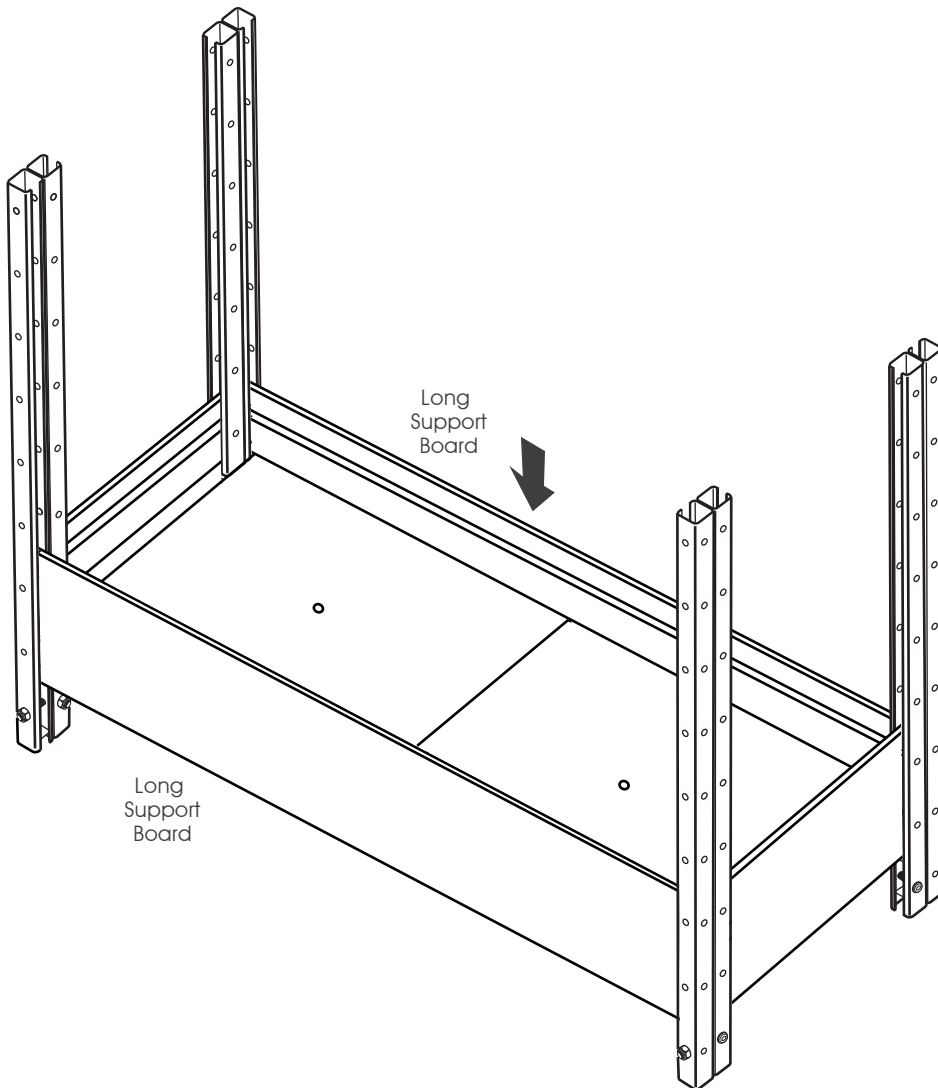
# Assembly

Deep Trough Planter Box - 36" L x 12" W x 21" H

---

Push down the higher long support board to the bottom, as shown in Image 8.

IMAGE 8



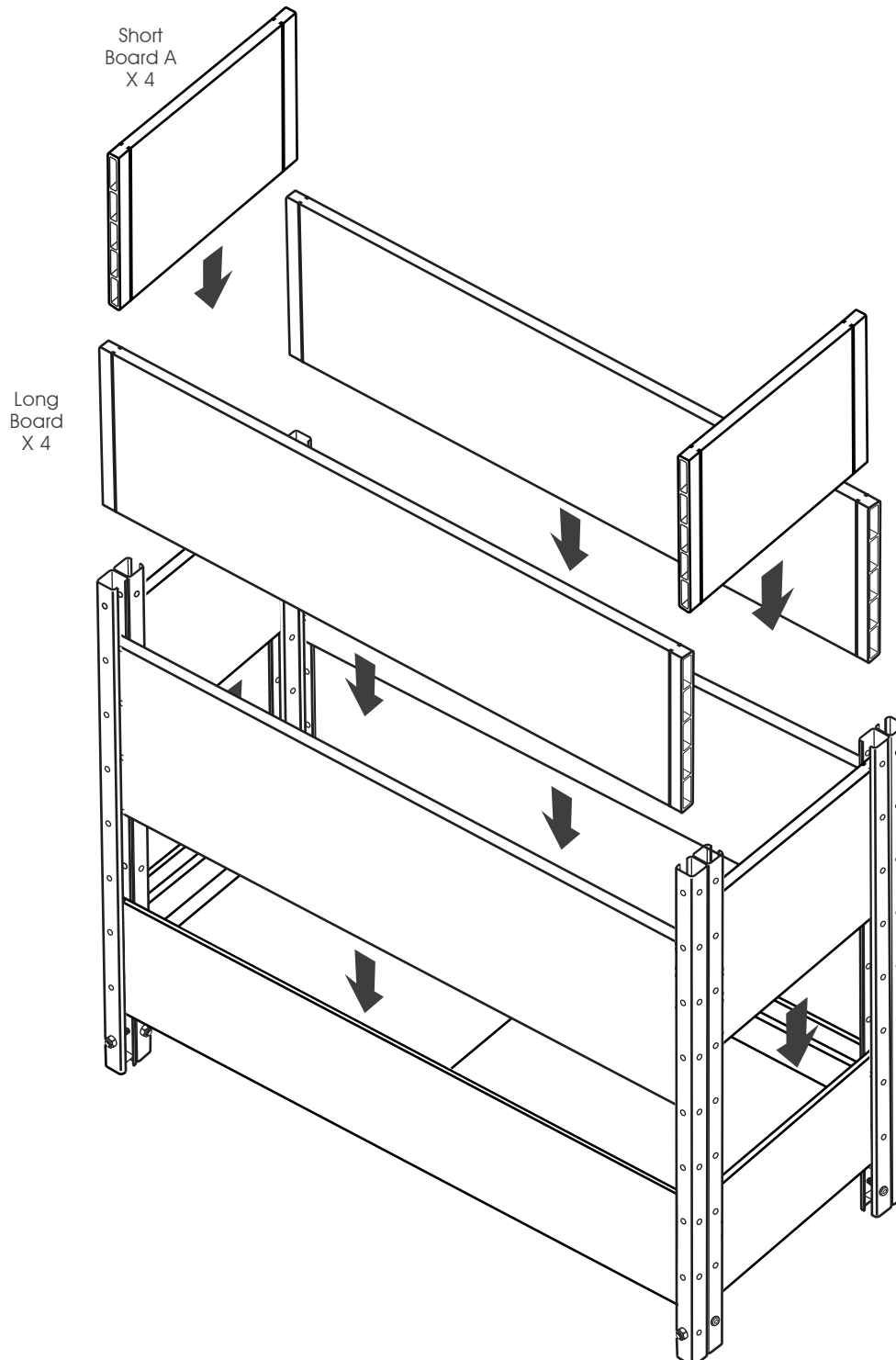
# Assembly

## Deep Trough Planter Box - 36" L x 12" W x 21" H

Slide the remaining boards into place, as shown in Image 9. Now you get an trough planter box with 16.9" planting depth. Then, go to page 15, and follow the steps afterwards.

Note: If you want to add trellis kit onto this bed, please assemble the extension connectors **before** this step, to avoid disassembling the boards later.

IMAGE 9



# Assembly

Deep Trough Planter Box - 36" L x 12" W x 21" H

*For the planting depth of 14.4", please follow steps below.*

*For depth of 7.5", the assembly methods are similar, just pay attention to the sequence of the boards and position of the bottom boards, please refer to page 3.*

Start by making sure each corner post is oriented correctly, as shown in Image 3a. Slide one short board B into the corner brackets from above.

Note: The short boards need to be placed in the inward "U" shape of the brackets, as shown in Image 4a.

IMAGE 3a

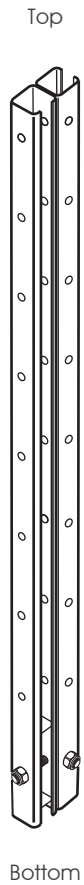
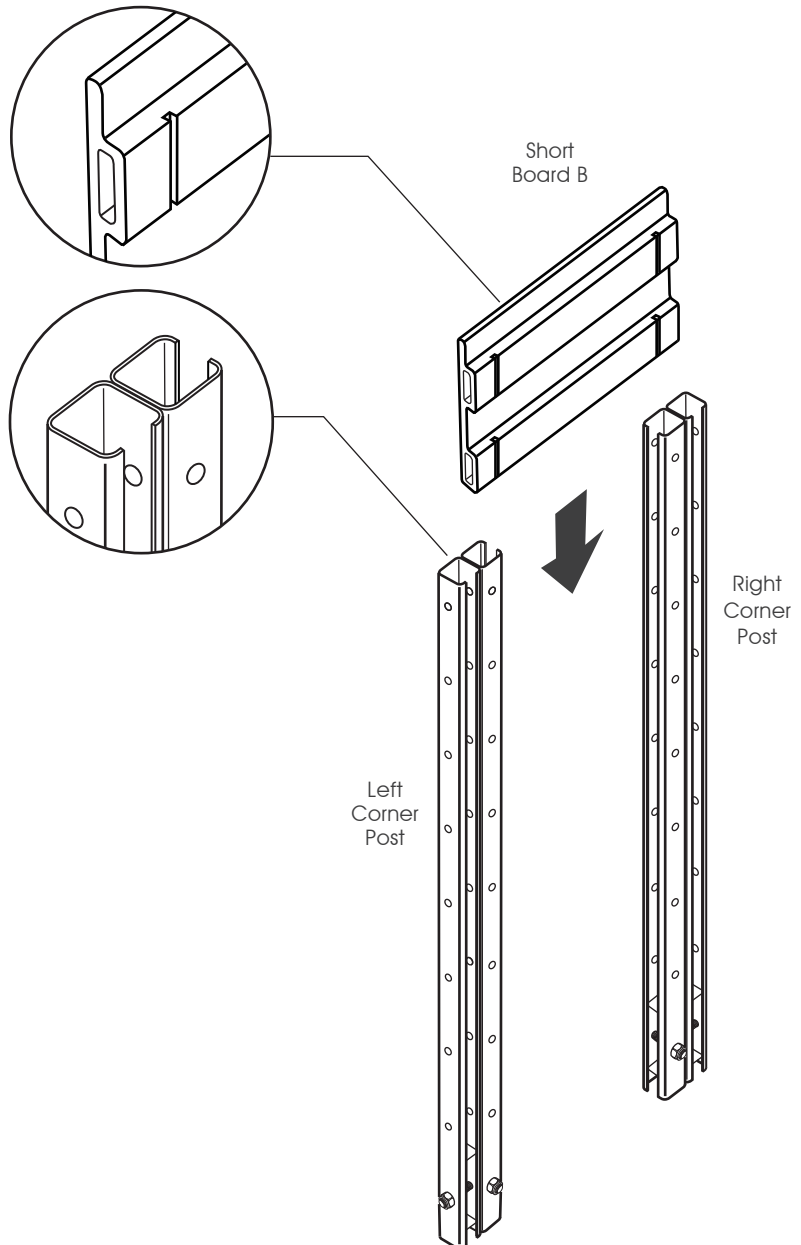


IMAGE 4a



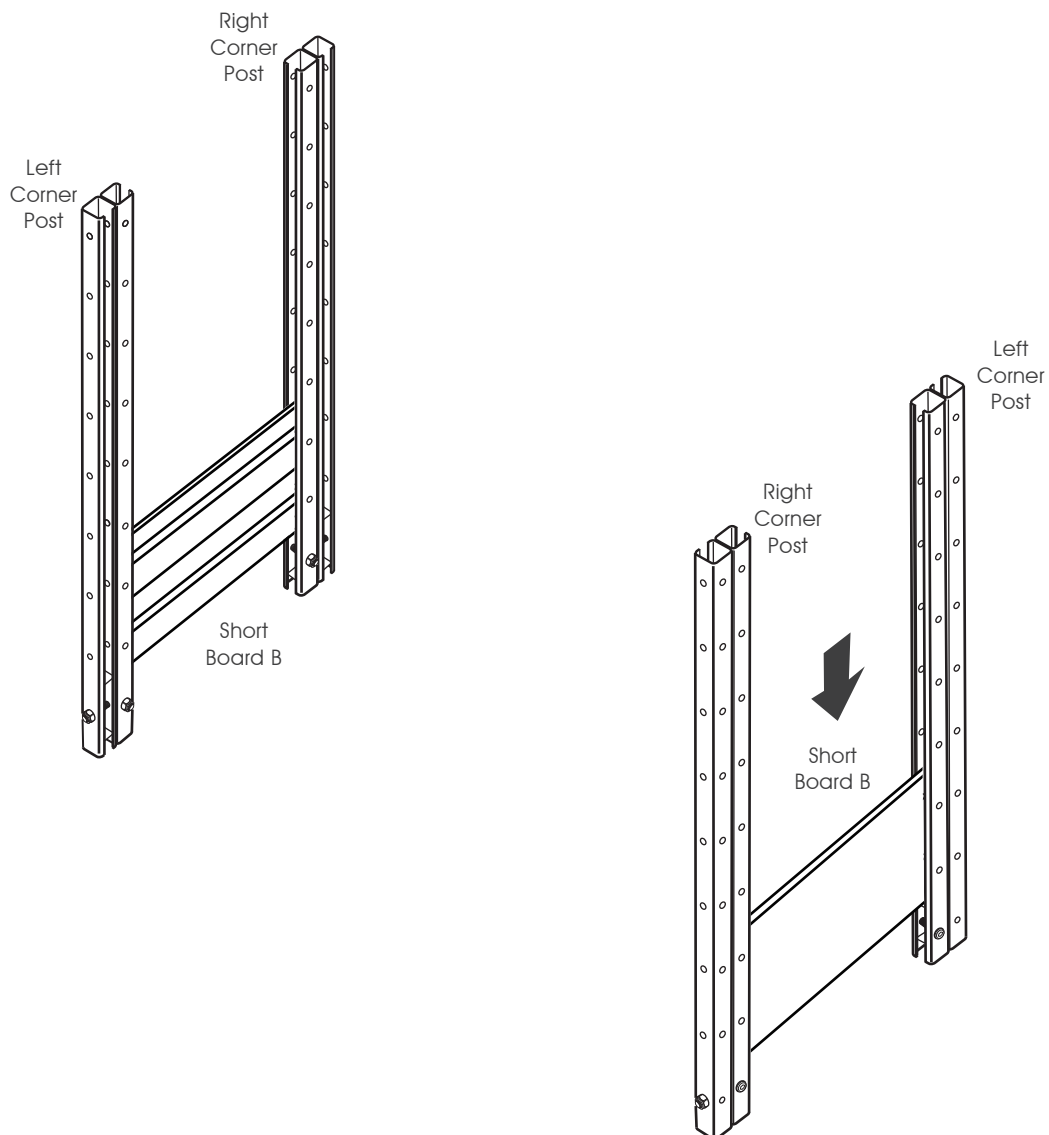
# Assembly

Deep Trough Planter Box - 36" L x 12" W x 21" H

---

Slide another short board B into the other two corner brackets from above, as shown in Image 5a.

IMAGE 5a

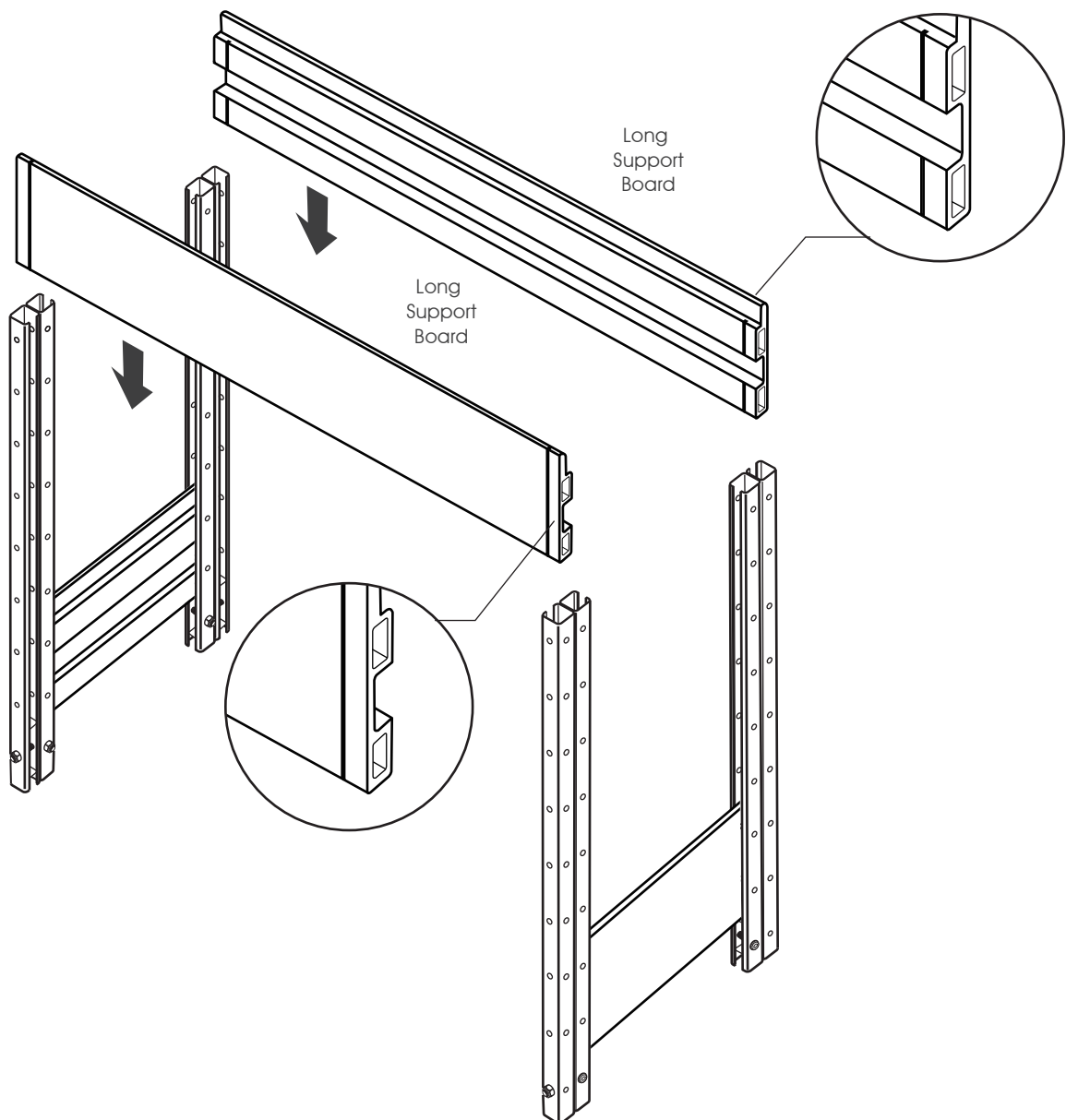


# Assembly

## Deep Trough Planter Box - 36" L x 12" W x 21" H

With the help of another person holding the 2 assembled parts, slide the 2 long support boards into the brackets from above to the bottom, as shown in Image 6a.

IMAGE 6a



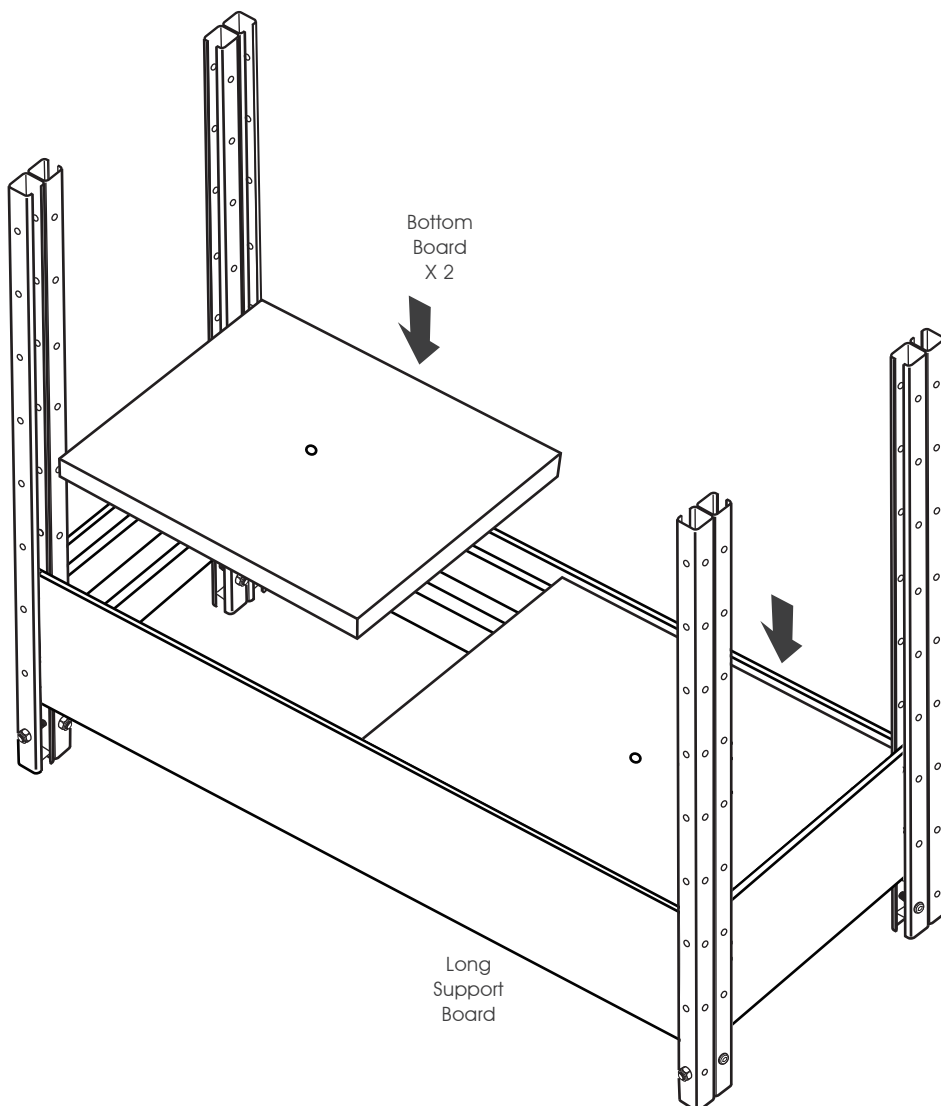
# Assembly

Deep Trough Planter Box - 36" L x 12" W x 21" H

---

Put the bottom boards on the long support boards, as shown in Image 7a.

IMAGE 7a



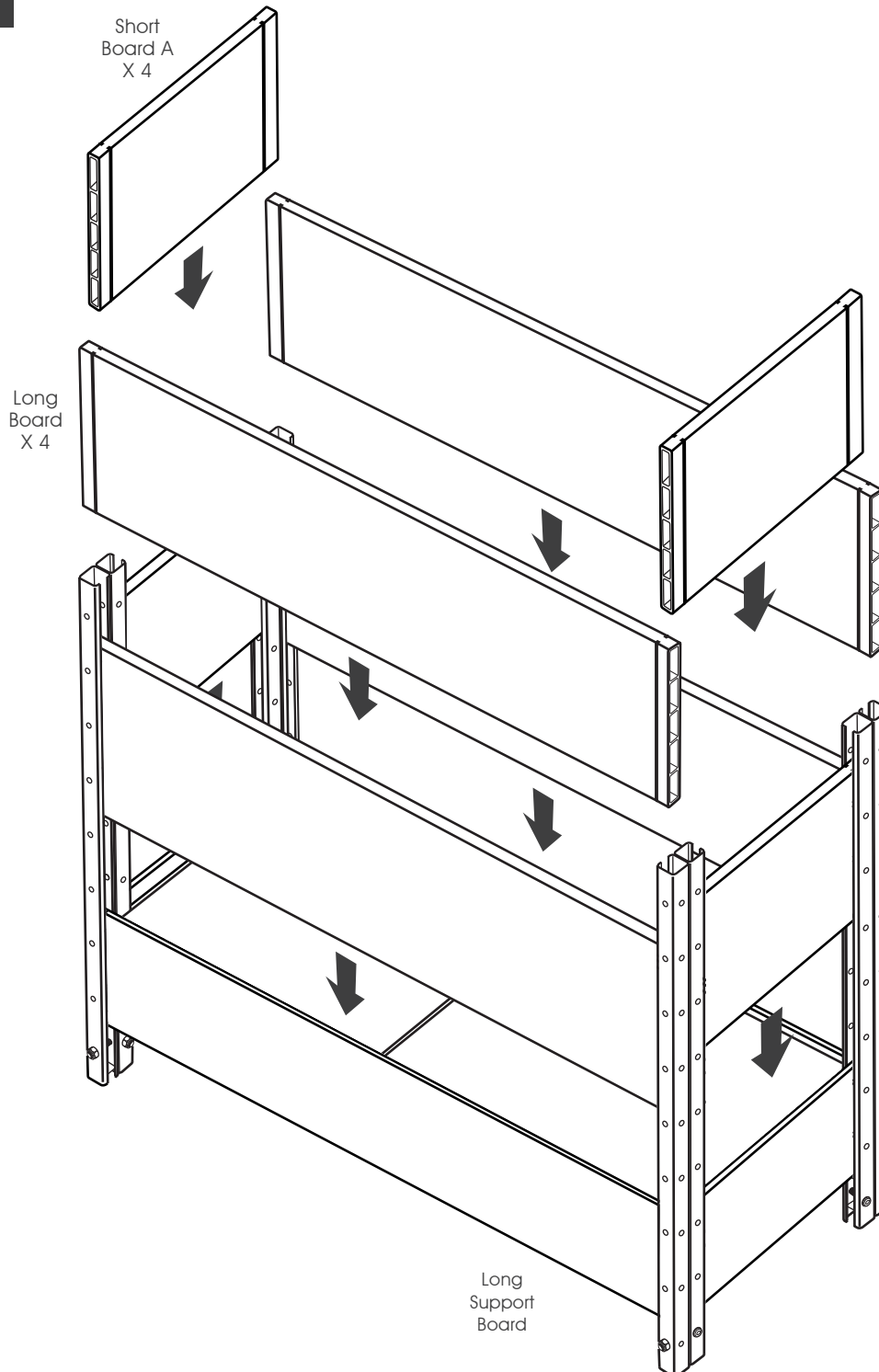
# Assembly

## Deep Trough Planter Box - 36" L x 12" W x 21" H

Slide the remaining boards into place, as shown in Image 8a. Now you get an trough planter box with 14.4" planting depth. Then, go to page 15, and follow the steps afterwards.

Note: If you want to add trellis kit onto this bed, please assemble the extension connectors **before** this step, to avoid disassembling the boards later.

IMAGE 8a

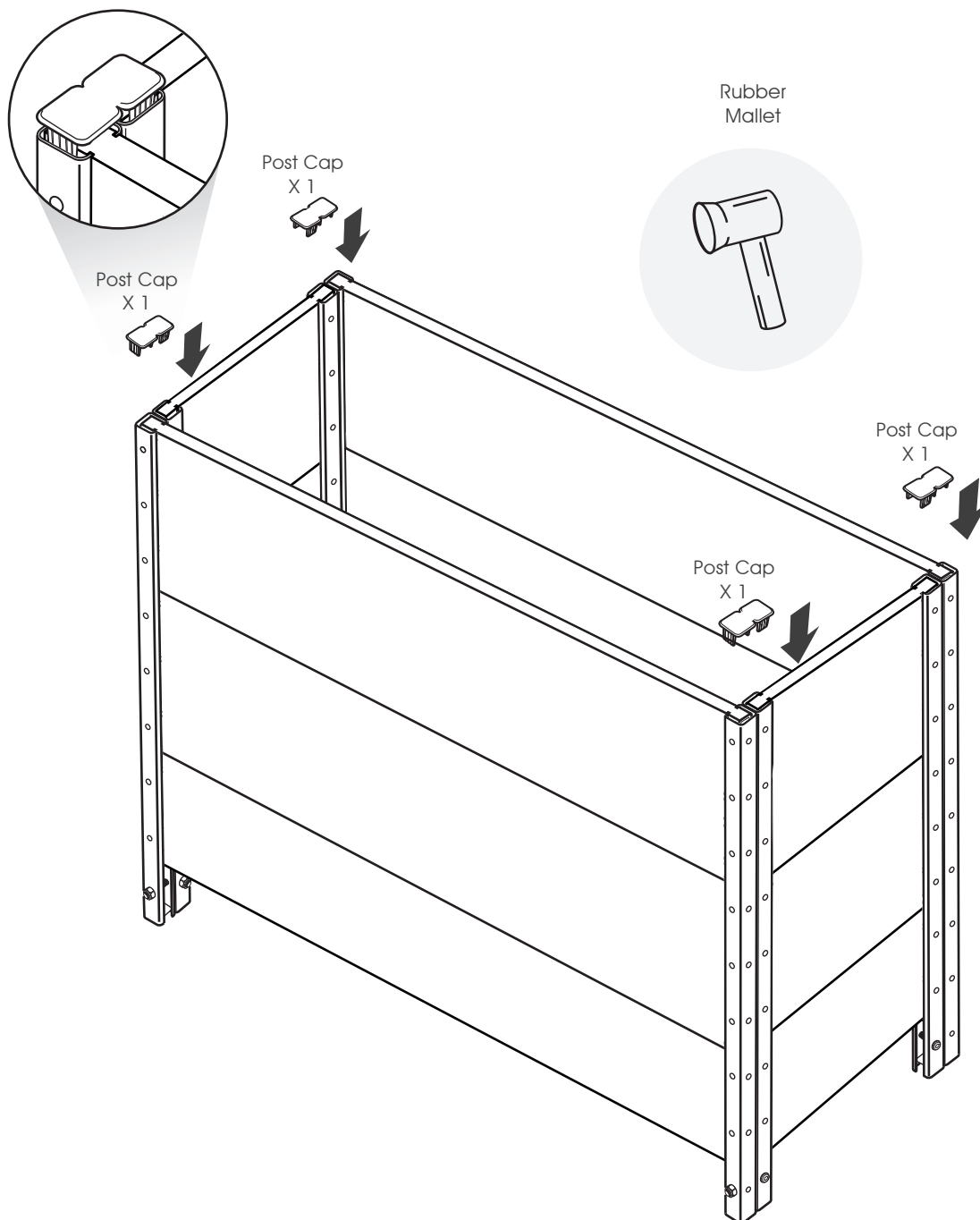


# Assembly

## Deep Trough Planter Box - 36" L x 12" W x 21" H

If necessary, use your rubber mallet to ensure the boards are tightly in place. Cover the brackets with the 4 end caps, as shown in Image 10.

IMAGE 10



# Assembly

Deep Trough Planter Box - 36" L x 12" W x 21" H

---

Unfold the liner and cover the bottom of the Planter Box, as shown in Image 11 and Image 12.

IMAGE 11

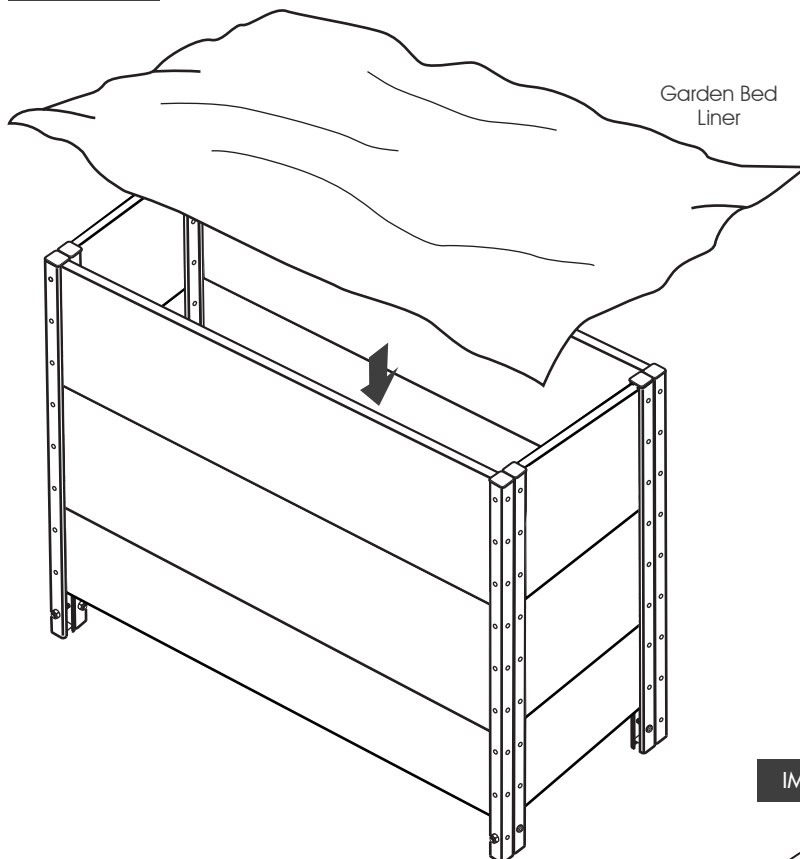
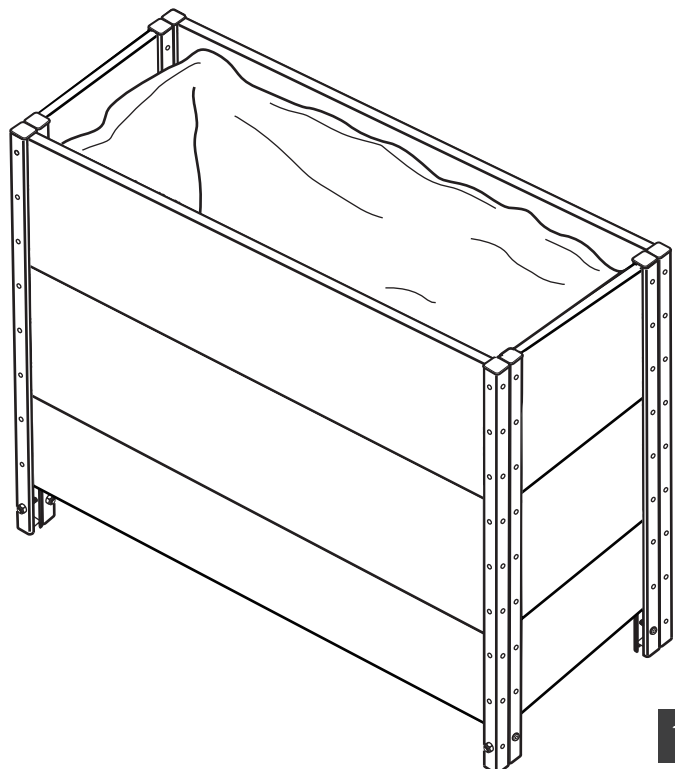


IMAGE 12



# Note

Deep Trough Planter Box - 36" L x 12" W x 21" H

---

Sometimes there might be a misalignment of the Corner Posts as shown in Image 13 and Image 14, which may result in difficulty of sliding boards into the brackets. Please adjust them to the right position so that they are parallel to each other, and perpendicular to the ground.

IMAGE 13

Assembling Problem 1

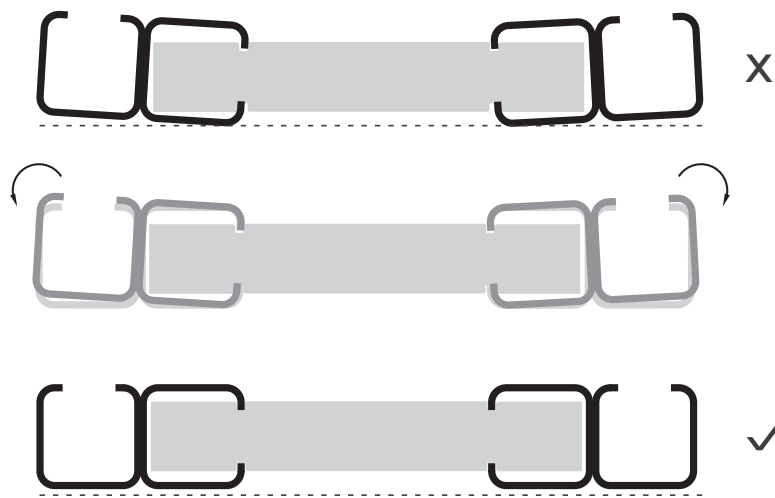
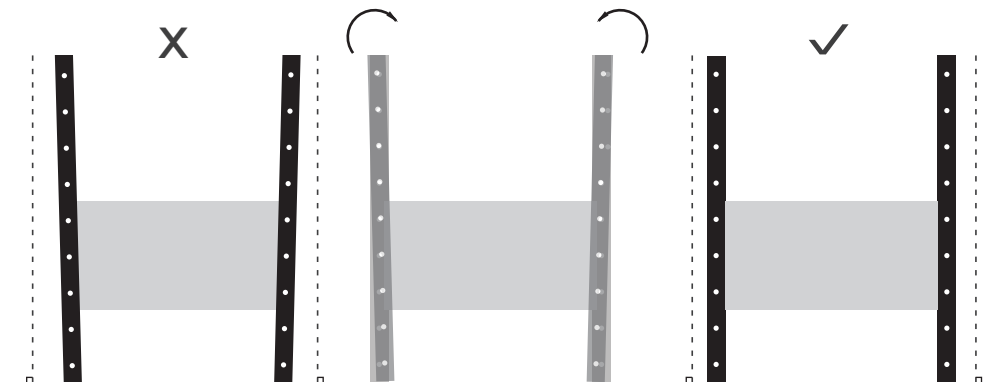


IMAGE 14

Assembling Problem 2



# Bloom On.

**Everbloom-Garden.com**

US Patent Pending

★ Subscribe at [www.everbloom-garden.com](http://www.everbloom-garden.com) for  
extra savings and upgrading information!

Distributed by:  
Dynaforge Trading LLC  
St. Paul, MN55101  
Email: [service@everbloom-garden.com](mailto:service@everbloom-garden.com)

# Trellis Assembly Kit

## Installation Guide

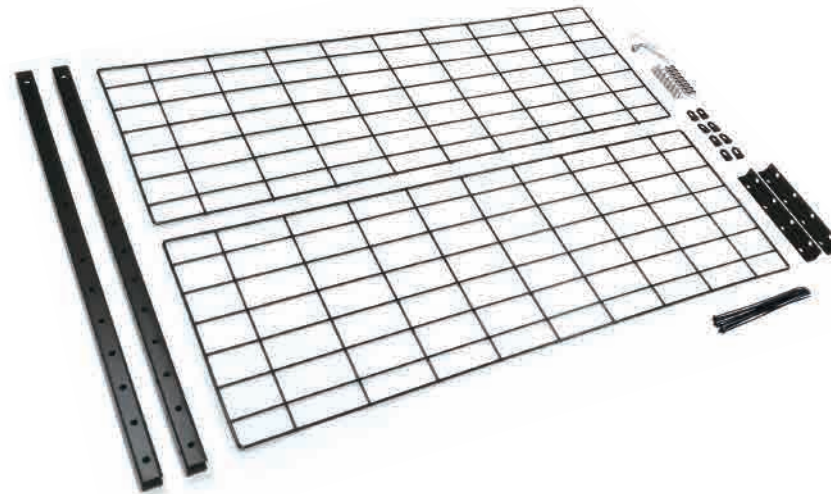
### Before You Start

Please Read the instructions carefully to familiarize yourself with every detail and step involved. Keep this manual for future reference. Find a suitable space to assemble the Trellis Kit.

### Important Notes

Small parts are included; we advise you to keep them away from children and pets. We also suggest having another person help you assemble.

★ Subscribe at [www.everbloom-garden.com](http://www.everbloom-garden.com) for extra savings and upgrading information!




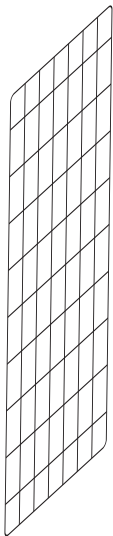





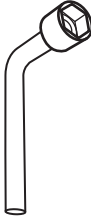


# Trellis Assembly Kit

## Installation Guide

Everbloom Trellis Assembly Kit can be firmly attached from Raised or Elevated Garden Bed to expand your growing space vertically for your climbing vines and veggies.

It takes at least *two people* to assemble this trellis.

### Parts Includes:

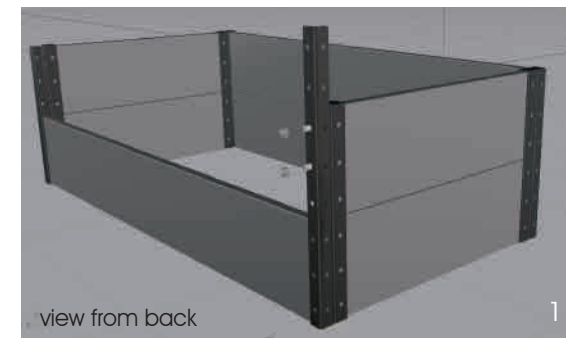
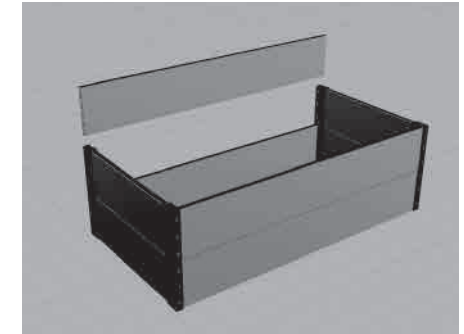
33" Extension Pole X 2	Steel Wire Panel X 2	Corner Connector X 2	Stainless Steel Bolt X 16	Stainless Steel Long Bolt X 4	Stainless Steel Nylon Nut X 20
					
			Connector Washer X 4	Nut Driver X 1	Hex Key X 1
					
		Cable Tie X 12			
					

Model#: T334517K2  
1140 x 420mm  
Model#: T333619K2  
900 x 420mm

## Installation 1

Create an additional solid growing space of 33" height on EverBloom

- **R144524 Raised Garden Bed / E144519 Deskside Planter Box / E334519W Urban Mobile Garden** with T334517K2
- **E143612 Trough Planter Box / E213612 Deep Trough Planter Box / E283612 Elevated Trough Planter Box** with T333619K2



Before installation, please be sure that the top back long board hasn't been installed, or has been taken off.

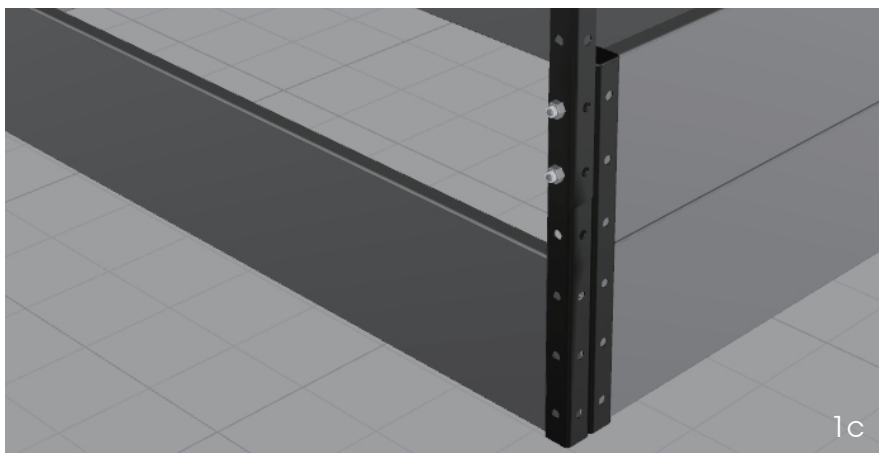
1. Align the corner connector to outer corner post, as shown in Pic. 1. The lower two screw holes of the connector and the top two screw holes of corner post should align. Insert bolt from **inside** of corner post to the corner connector as shown in Pic. 1a and Pic. 1b. Turn on the nylon lock nut by hand, as shown in Pic. 1c.



view from back

view from front

*Note:*  
Pay attention to the position and direction of the bolts and nuts.



1c

view from back

2. Tighten bolts and nuts with hex key and nut driver, as shown in Pic.2.

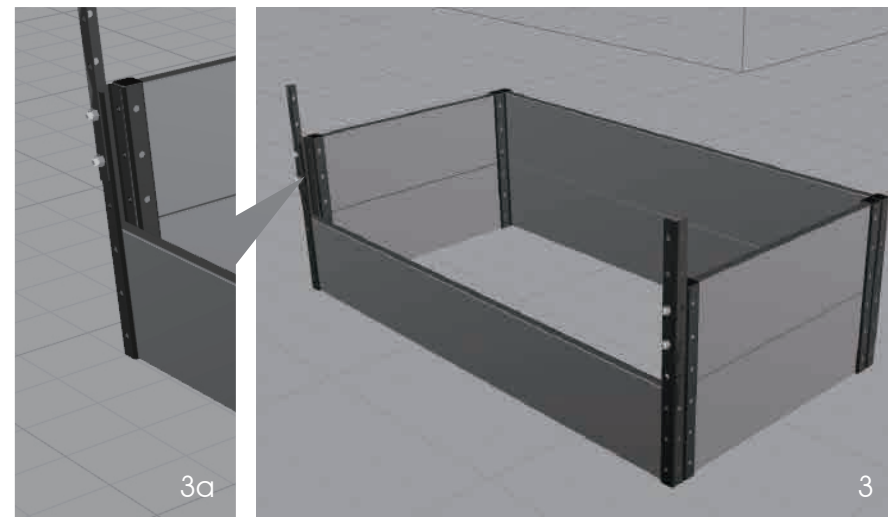


view from front

*Note:*

Please lift the corner connector when you tighten the bolts and nuts. Be sure the screw hole centers of connector and post align. If the corner connector is installed lower, it may cause difficulty in fixing the extension poles.

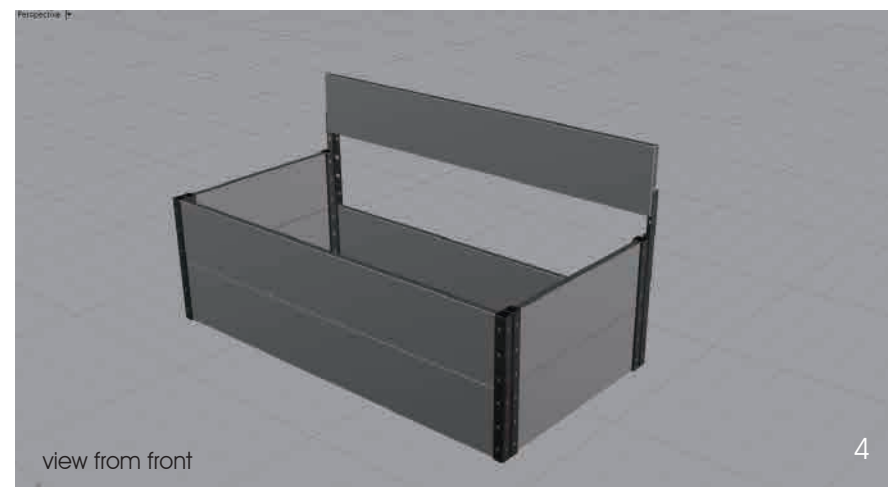
3. Install another corner connector follow steps above, as shown in Pic.3 and Pic.3a.



3a

3

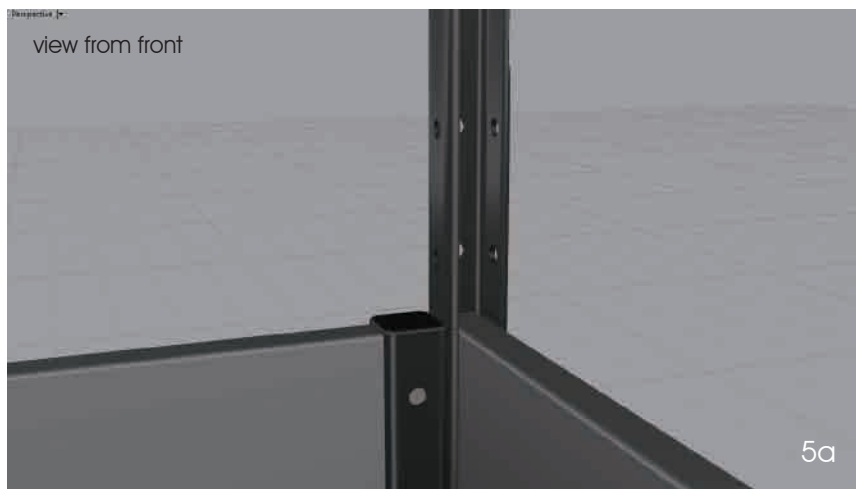
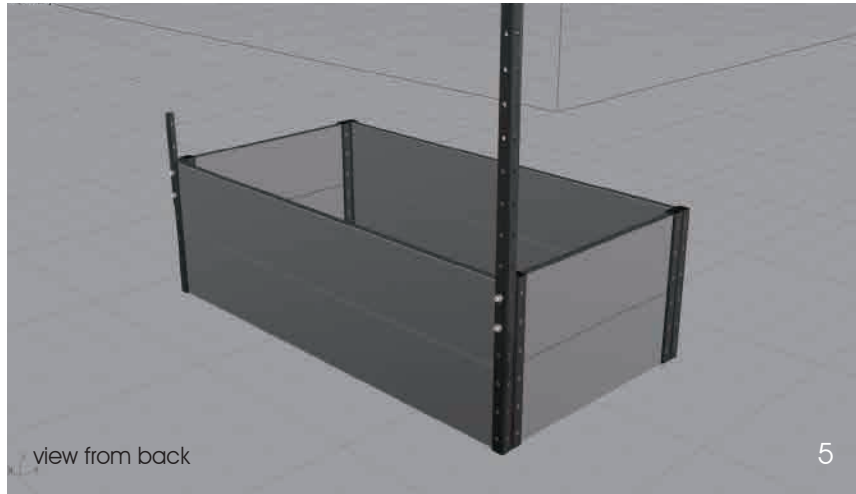
4. Insert the top back long board, as shown in Pic.4.



view from front

4

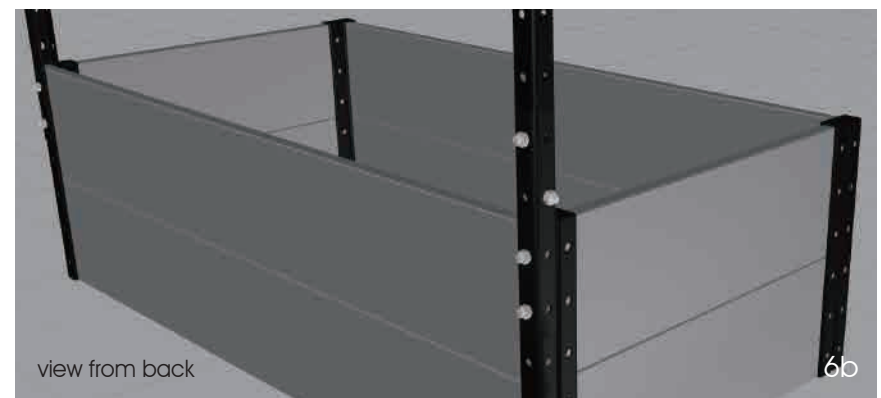
5. Attach the extension pole to the corner connector, as shown in Pic.5. Be sure the slot of the pole is facing to the other corner connector, as shown in Pic.5a.



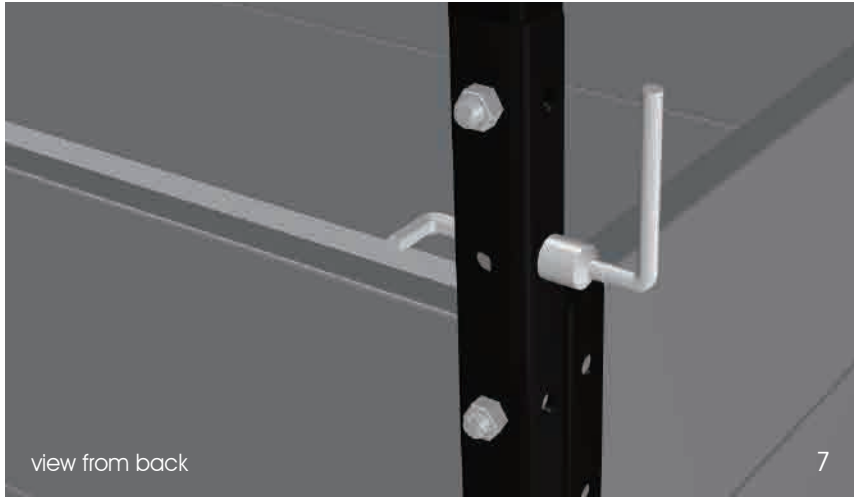
6. Insert bolt from **inside** of the extension pole to the corner connector, as shown in Pic.6 and Pic. 6a. Turn on the nylon lock nut by hand, as shown in Pic.6b.



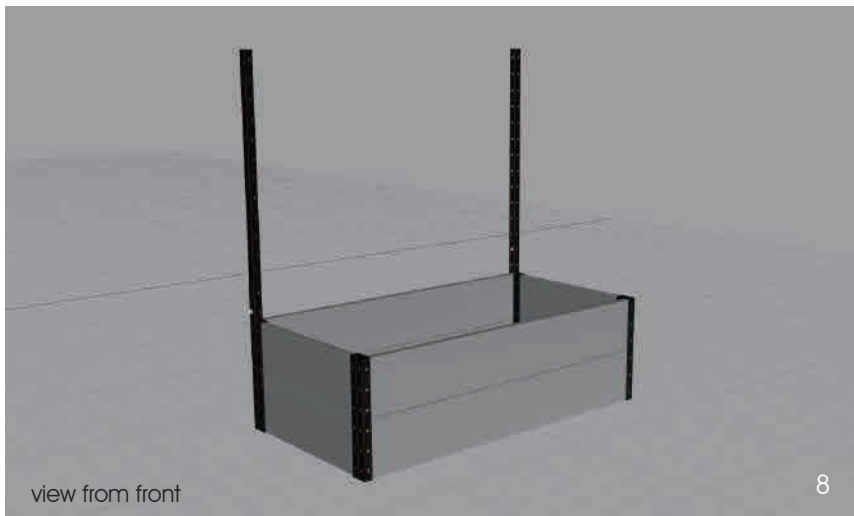
Note:  
Pay attention to the position and direction of the bolts and nuts.



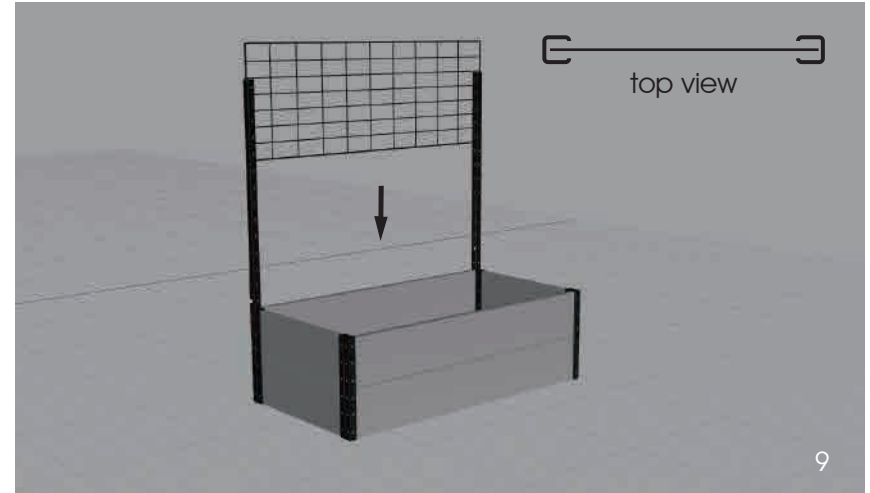
7. Tighten the bolts and nuts with hex key and nut driver, as shown in Pic.7.



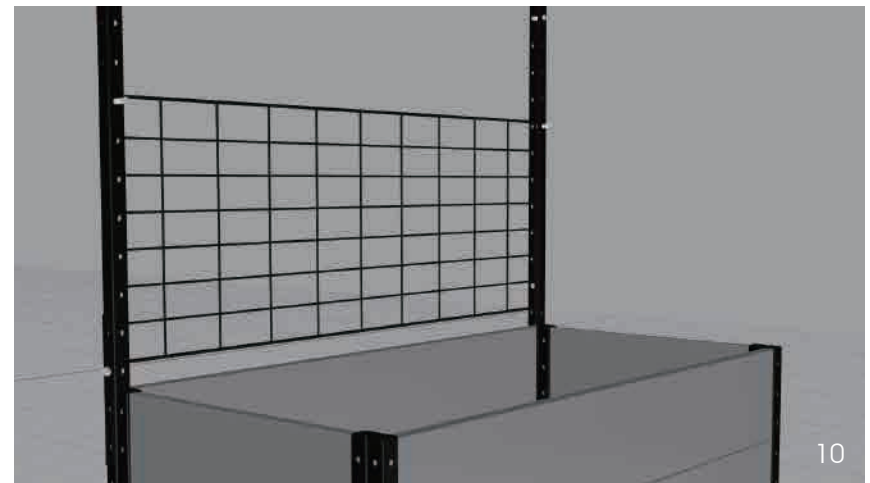
8. Install another extension pole following step 4-6 above, as shown in Pic.8.



9. Slide the steel wire panel from above, as shown in Pic.9.



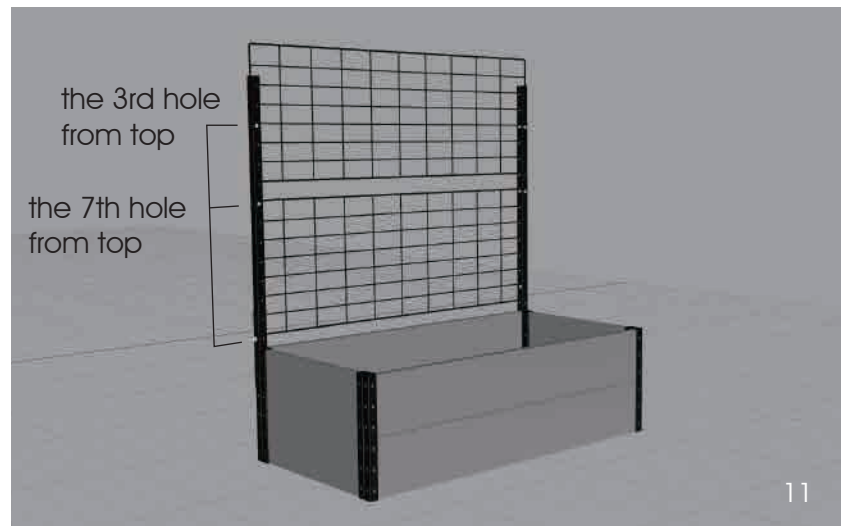
10. Fix the steel wire panel with long bolt and nut, as shown in Pic.10 and Pic.10a.





10a

11. Slide another steel wire panel and fix it with long bolt and nut, as shown in Pic.11.



11

*Note:*

You can choose different heights according to the size of the grid, especially installing one steel wire panel on the extension poles.



One Trellis Kit built on E213612 Deep Trough Planter Box



One Trellis Kit built on E143612 Trough Planter Box



One Trellis Kit built on E334519W Urban Mobile Garden -1

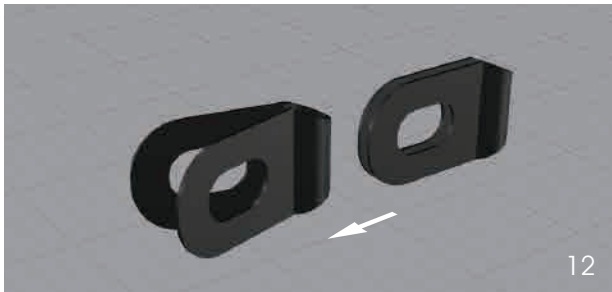


One Trellis Kit built on E334519W Urban Mobile Garden -2

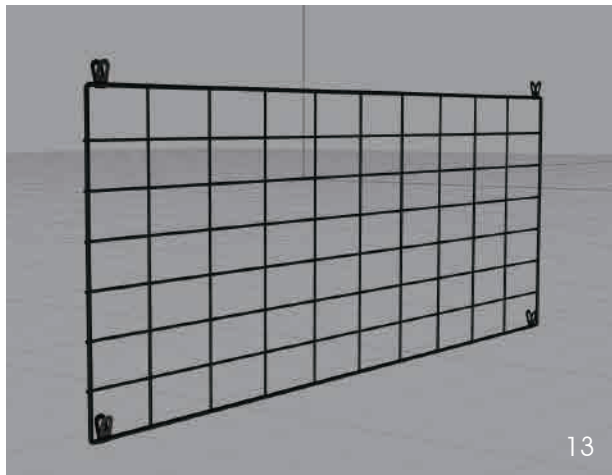
## Installation 2

Create a 45"x16.5" bottom tray on EverBloom  
E334519W Urban Mobile Garden

1. Open all the steel connector washers, as shown in Pic.12.

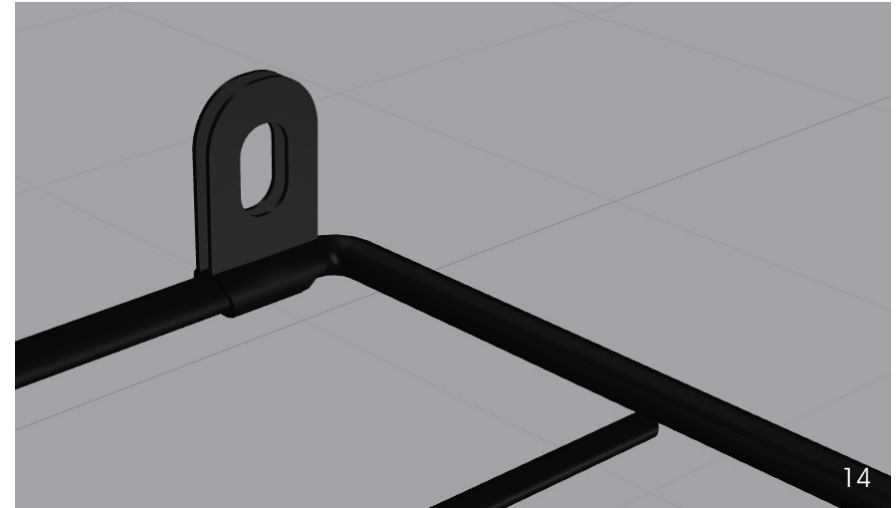


2. Clamp the connector washers onto the steel wire panel, as shown in Pic.13 and Pic.13a.

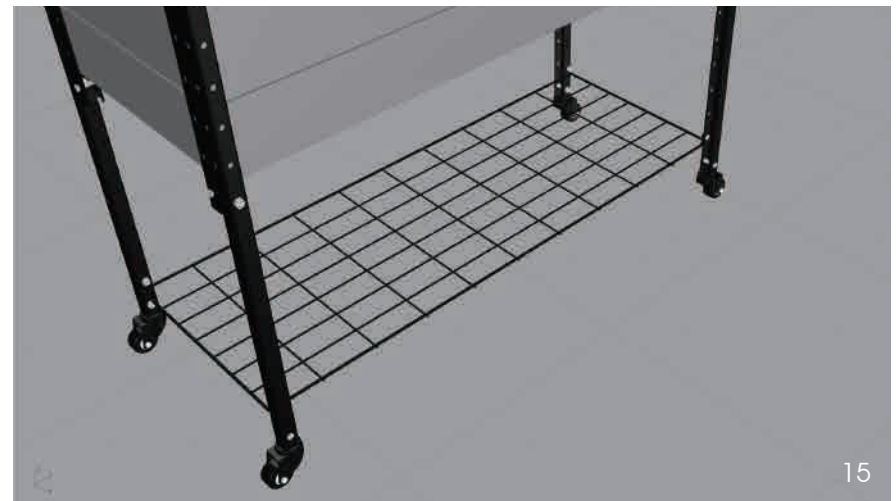


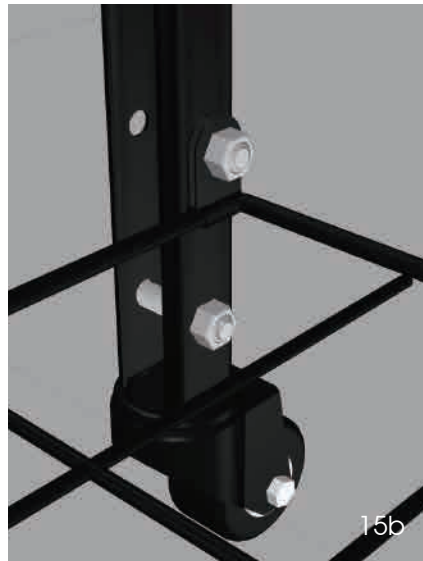
Note:  
Pay attention to the position and direction of the connector washer on the panel.

3. Close all the connector washers, as shown in Pic.14.

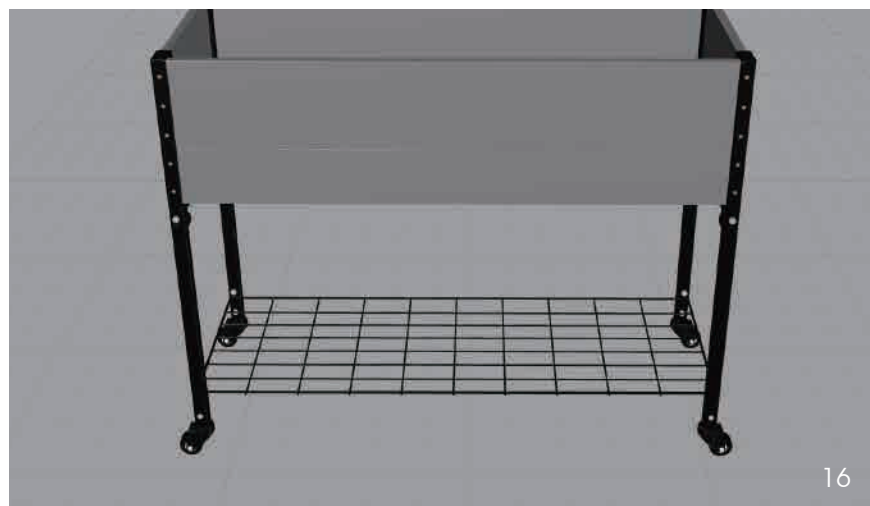


4. Align the steel wire panel to four post brackets, as shown in Pic.15. Then, fasten a connector washer on the steel wire panel to post bracket with bolt and nut, as shown in Pic.15a and Pic.15b.





5. fasten the other three connector washers on the steel wire panel to post brackets with bolts and nuts, as shown in Pic.16.

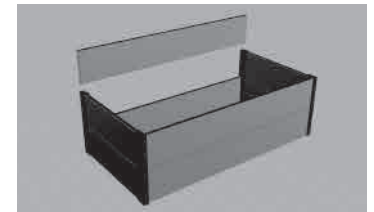


## Installation 3

Create an additional solid growing space of 74" height on EverBloom  
**R144524 Raised Garden Bed** with T334517K2  
**R143638 Deep Root Raised Garden Bed /**  
**E213612 Deep Trough Planter Box** with T333619K2

This installation need 2 Trellis Assembly Kits.

Before installation, please be sure that the top back long board hasn't been installed, or has been taken off.

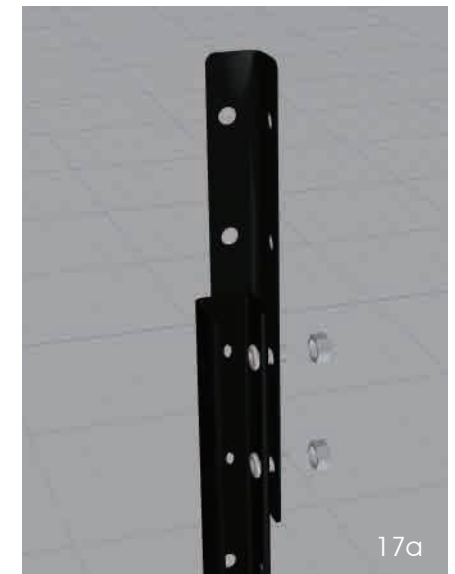


Then, follow step 1 to 8 of installation 1.

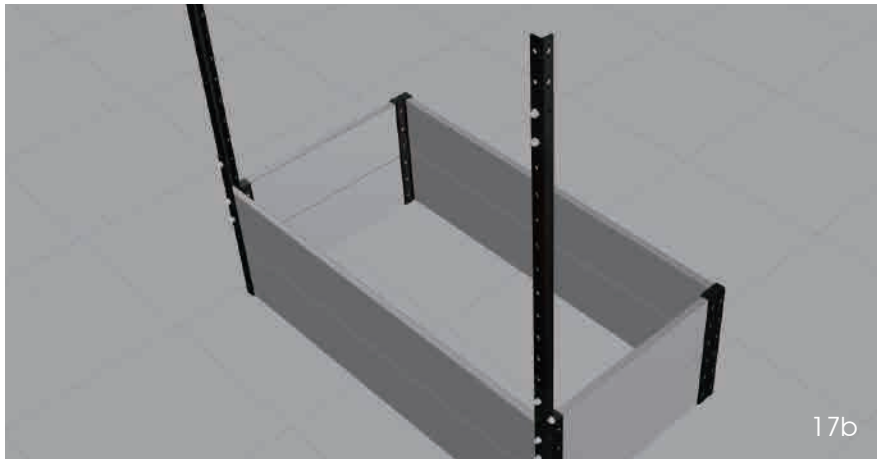
9. Align the corner connector to extension pole, as shown in Pic.1. The lower two screw holes of the connector and the top two screw holes of corner post should align. Insert bolt from **inside** of corner post to the corner connector as shown in Pic.17 and Pic.17a. Turn on the nylon lock nut by hand, as shown in Pic.17b.



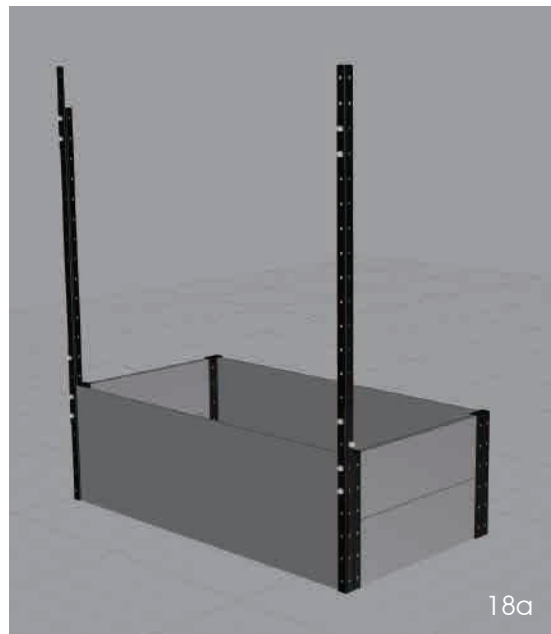
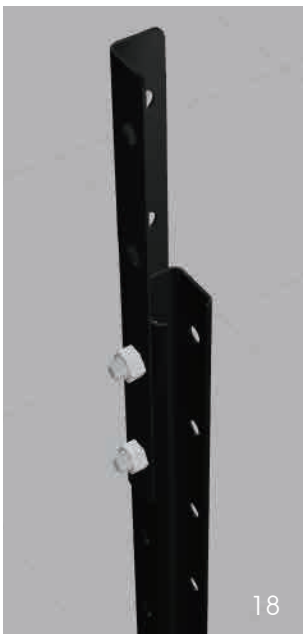
view from back



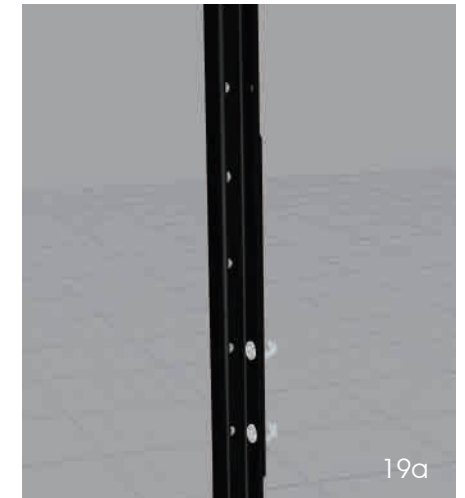
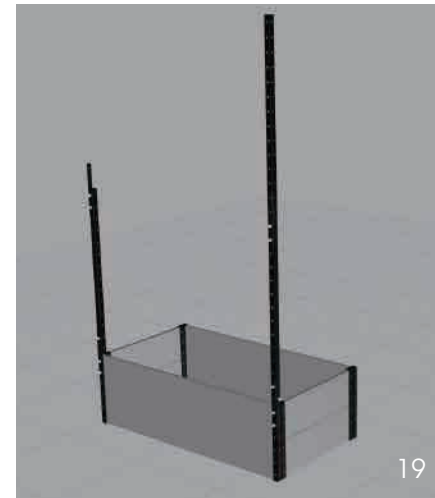
view from front



10. Install another corner connector follow steps above, as shown in Pic.18 and Pic.18a.



11. Attach the extension pole to the corner connector, as shown in Pic.19. Be sure the slot of the pole is facing to the other corner connector, as shown in Pic.19a.

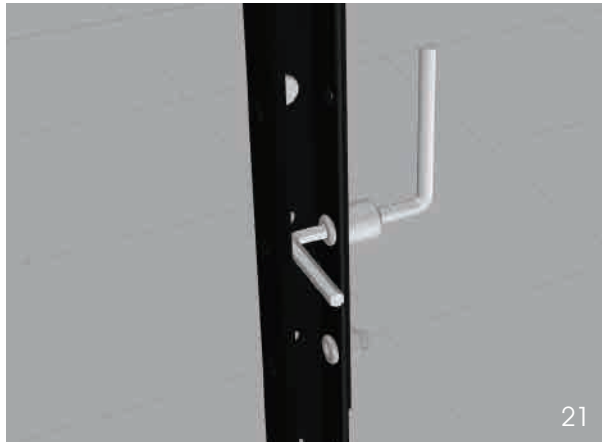


12. Insert bolt from **inside** of the extension pole to the corner connector, as shown in Pic.20. Turn on the nylon lock nut by hand, as shown in Pic.20a.

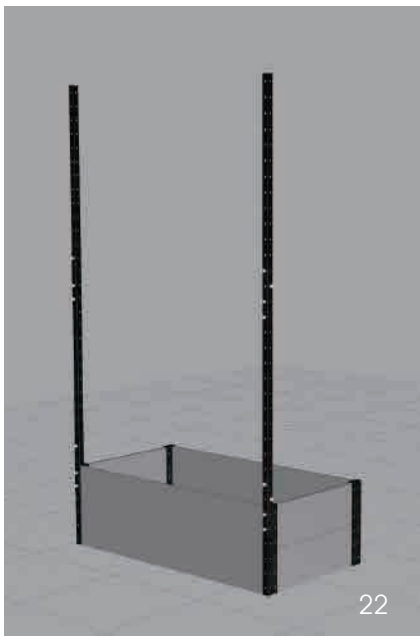


*Note:*  
Pay attention to the position and direction of the bolts and nuts.

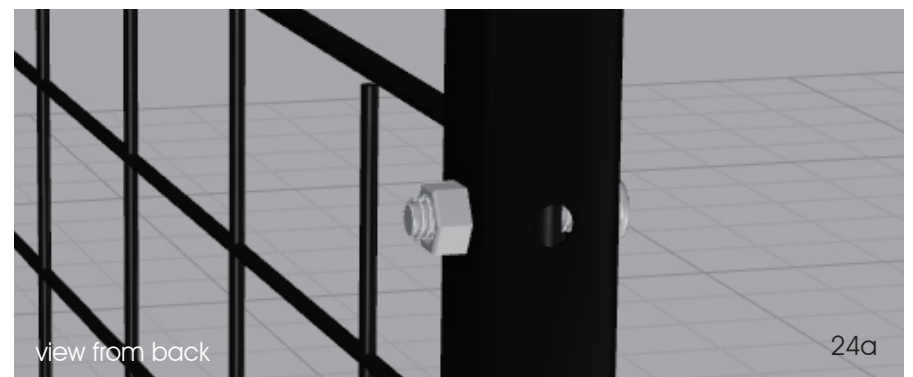
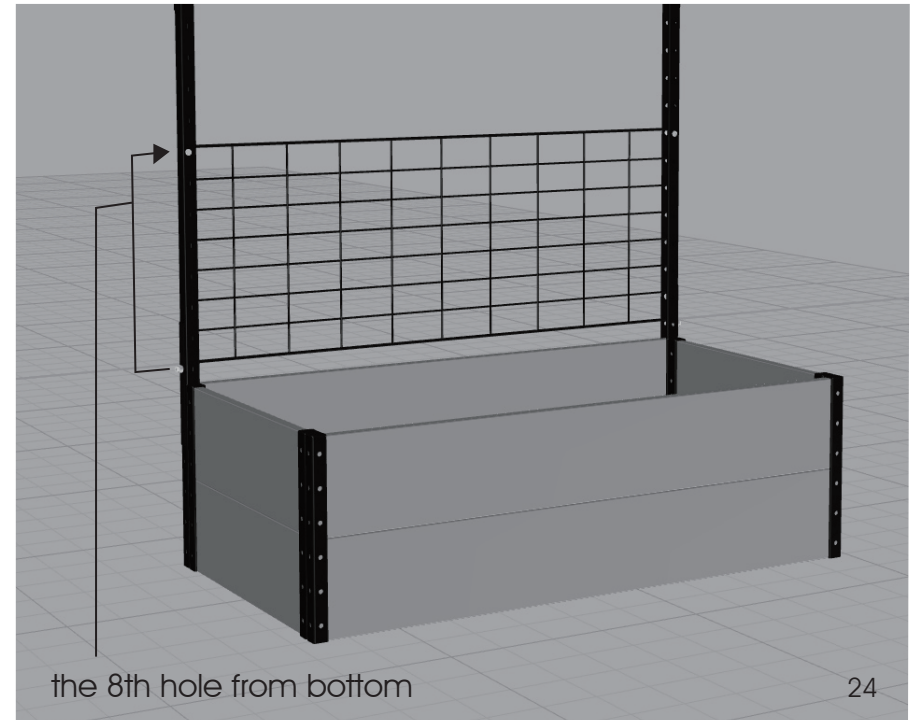
13. Tighten all four bolts and nuts with hex key and nut driver, as shown in Pic.21.



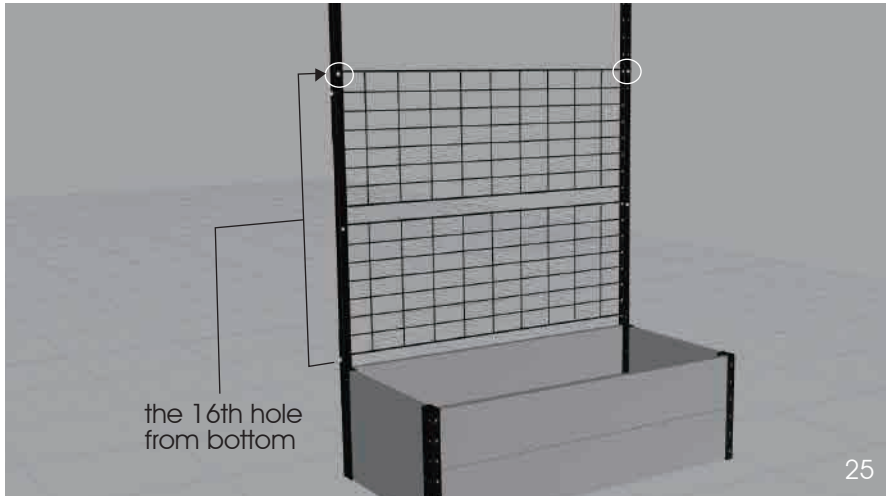
14. Install another extension pole following step 11-13 above, as shown in Pic.22.  
15. Slide the steel wire panel from above, as shown in Pic.23.



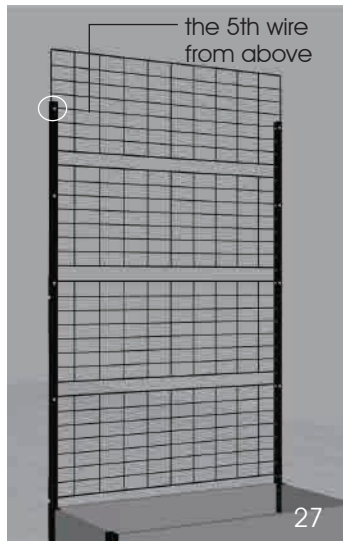
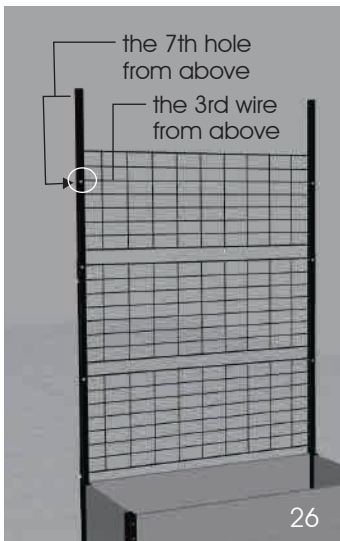
16. Fix the steel wire panel with long bolt and nut, as shown in Pic.24 and Pic.10a.



17. Slide the second steel wire panel from above and fix it with long bolts and nuts, as shown in Pic.25. Please pay attention to the bolts position.

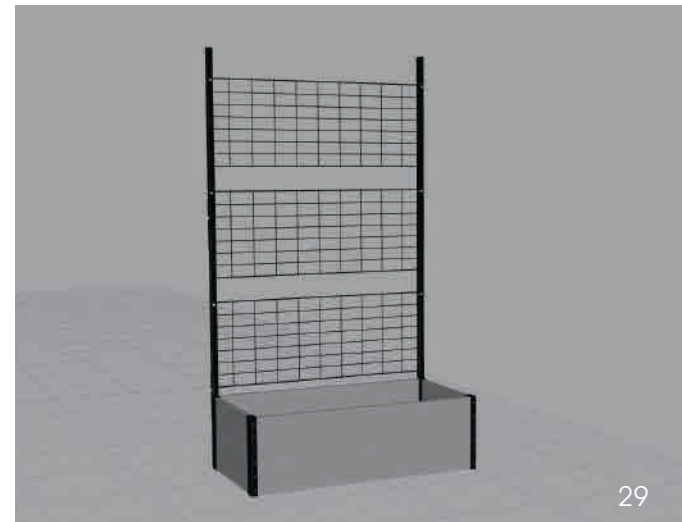
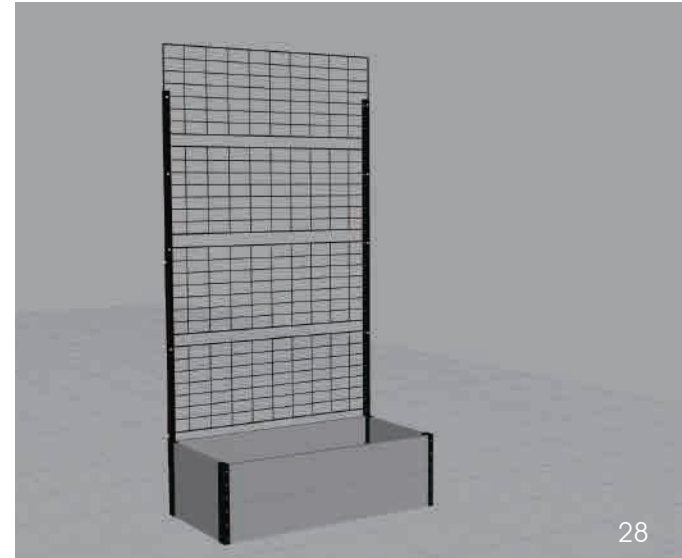


18. Slide the left two steel wire panels from above and fix them with long bolts and nuts, as shown in Pic.26 and Pic.27.



Note: Please pay attention to the positions of the bolts.

19. Fasten all the bolts and nuts, Then you can get a solid growing space of 74" height, as shown in Pic.28. Also you can adjust the positions of these steel wire panels slightly as you like. Style in Pic.29 just is a sample.



\* Three Panels make wider interstices

## Installation 4

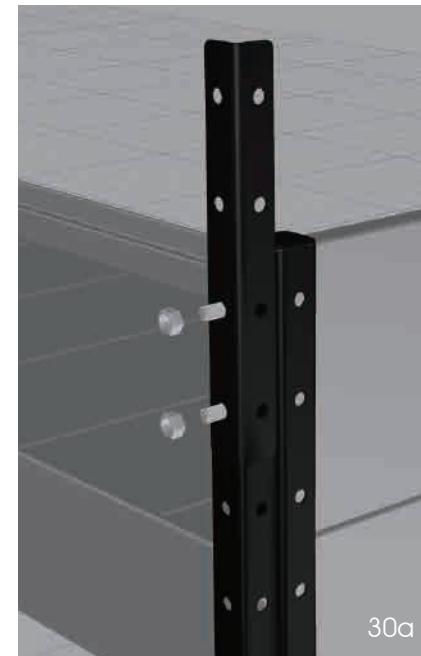
Create a pergola of 45" height on EverBloom  
**E334519W Urban Mobile Garden** with T334517K2

This installation need 2 Trellis  
 Assembly Kits.

Before installation, please be  
 sure that the top long boards  
 haven't been installed, or  
 have been taken off.



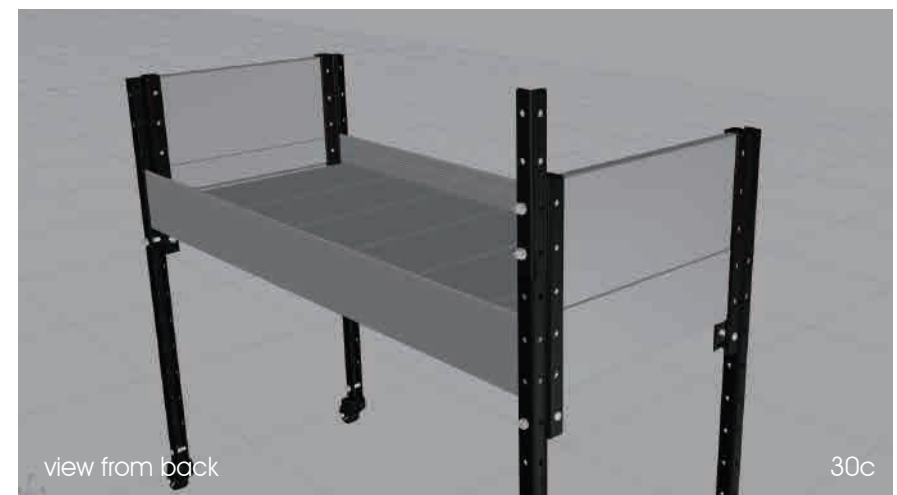
1. Align the corner connector to outer corner post, as shown in Pic.30. The lower two screw holes of the connector and the top two screw holes of corner post should align. Insert bolt from **inside** of corner post to the corner connector as shown in Pic.30a and Pic. 30b. Turn on the nylon lock nut by hand, as shown in Pic. 1 c.



view from back

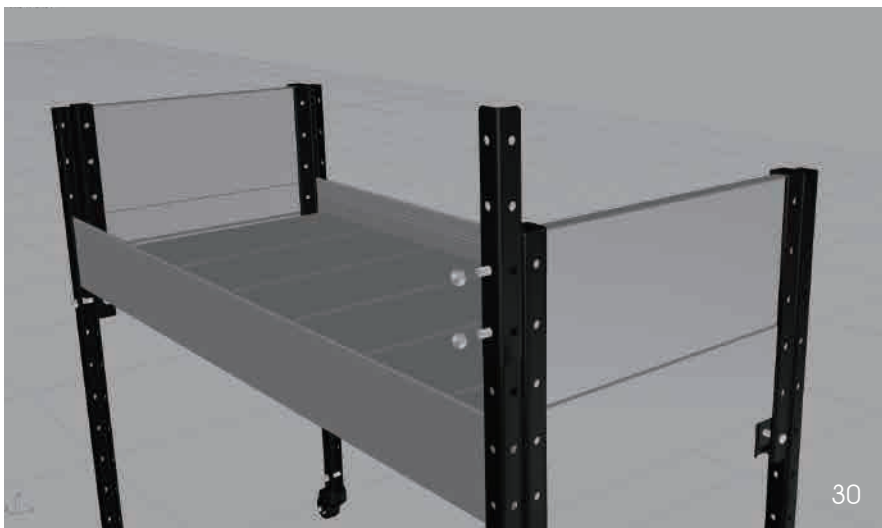


view from front



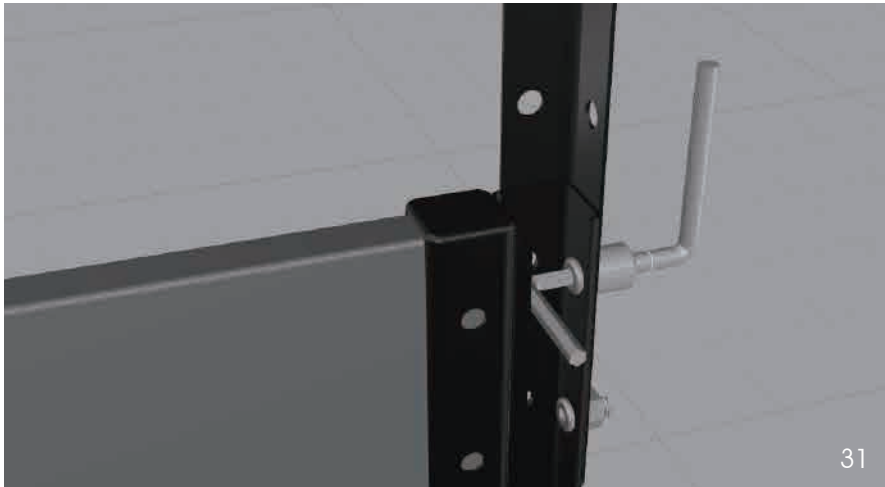
view from back

30c



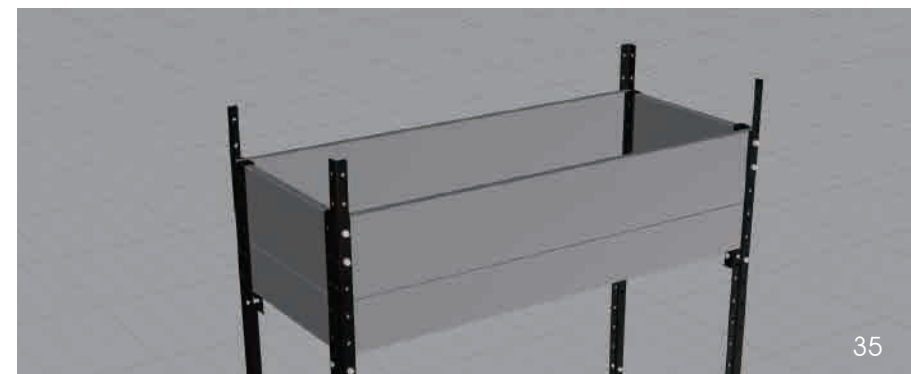
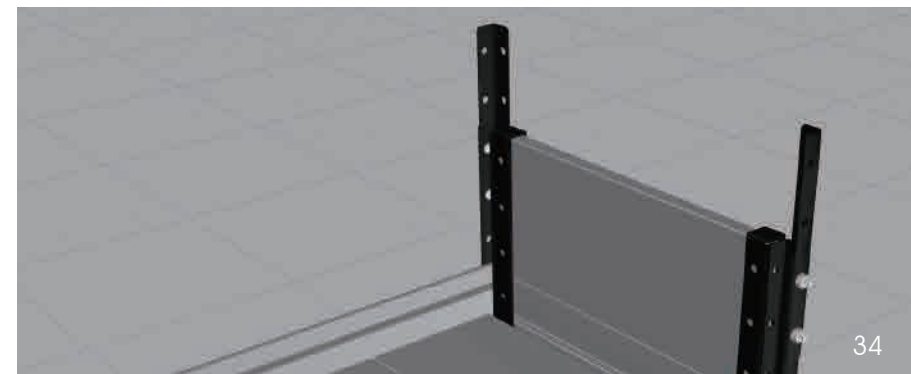
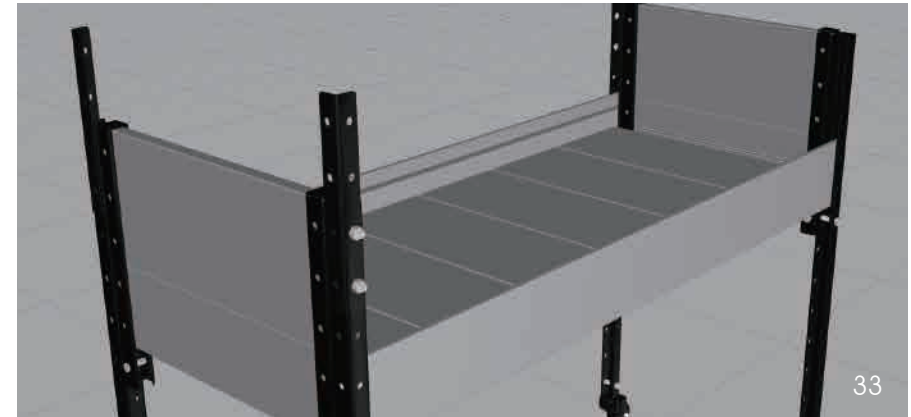
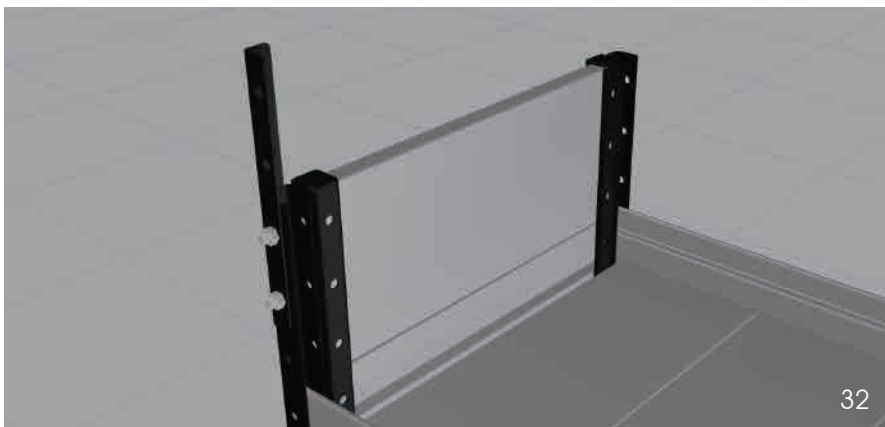
30

2. Tighten bolts and nuts with hex key and nut driver, as shown in Pic.31.



*Note:*  
Please lift the corner connector when you tighten the bolts and nuts. Be sure the screw hole centers of connector and post align. If the corner connector is installed lower, it may cause difficulty in fixing the extension poles.

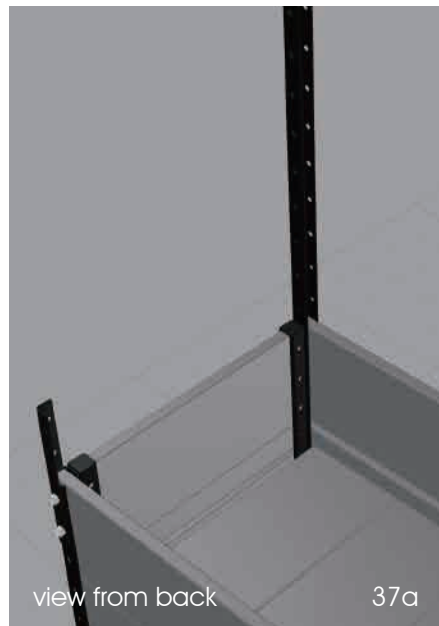
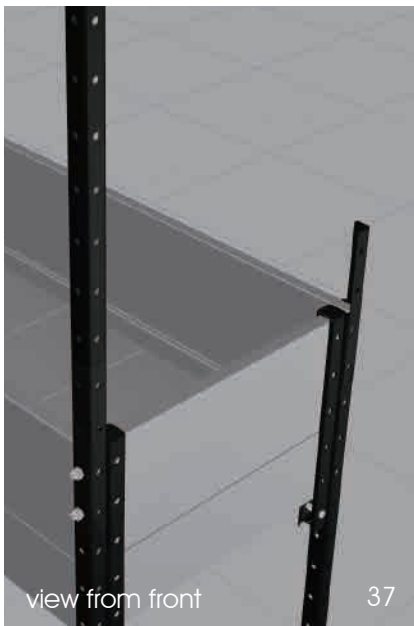
3. Install another three corner connector follow steps above, as shown in Pic.32 to Pic.35.



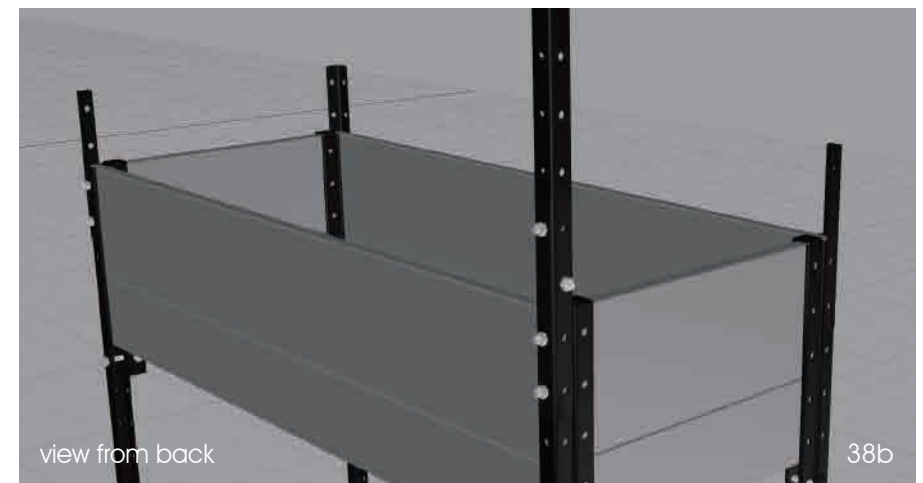
3. Insert the top long boards, as shown in Pic.36.



4. Attach the extension pole to the corner connector, as shown in Pic.37. Be sure the slot of the pole is facing to the other corner connector on the same long board, as shown in Pic.37a.

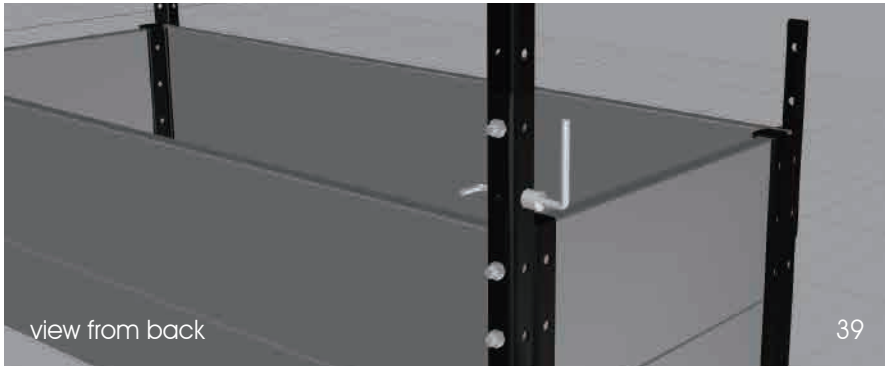


5. Insert bolt from **inside** of the extension pole to the corner connector, as shown in Pic.38 and Pic. 38a. Turn on the nylon lock nut by hand, as shown in Pic.38b.



*Note:*  
Pay attention to the position and direction of the bolts and nuts.

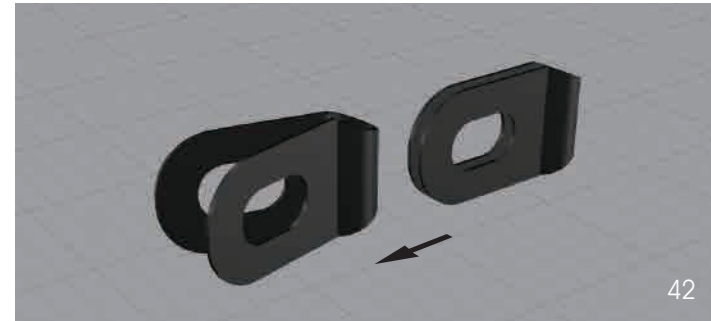
6. Tighten the bolts and nuts with hex key and nut driver, as shown in Pic.39.



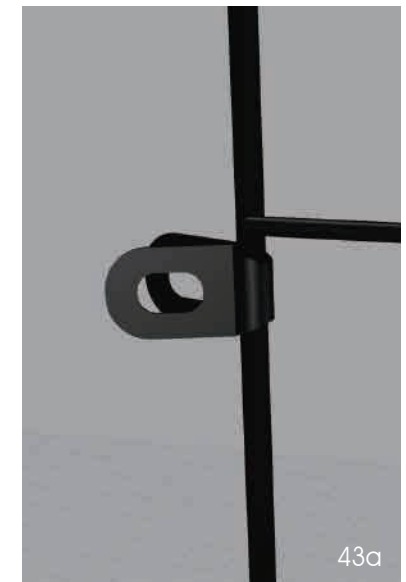
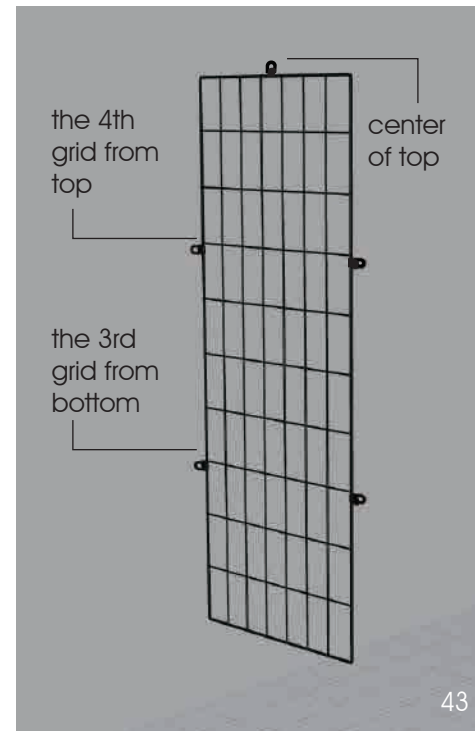
7. Install another three extension poles follow step 4-6 above, as shown in Pic.40 to Pic.41.



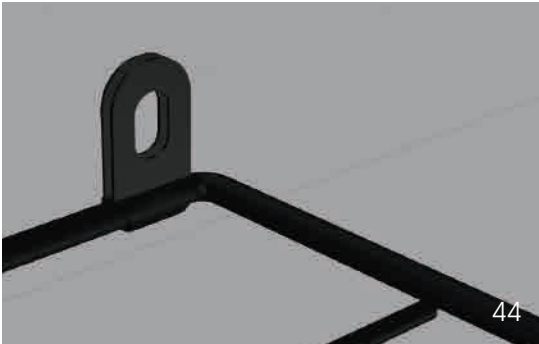
8. Open all the steel connector washers, as shown in Pic.42.



9. Clamp the connector washers onto the steel wire panel, as shown in Pic.43 and Pic.43a.

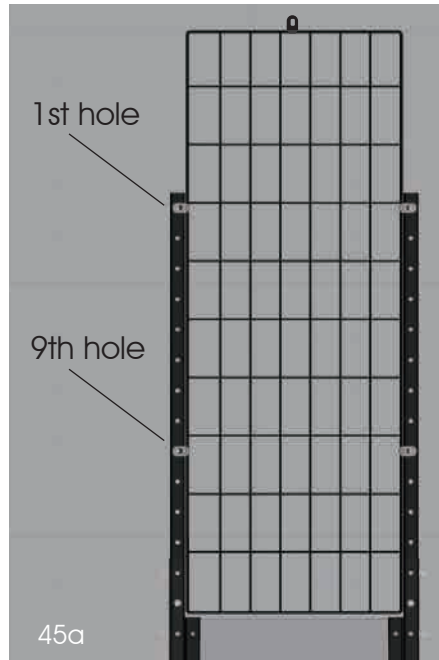
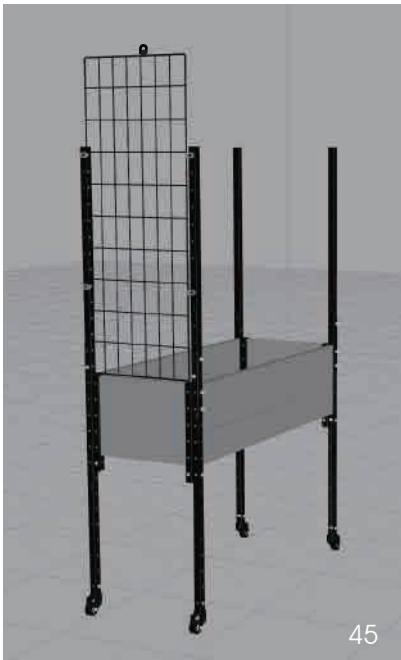


*Note:*  
Pay attention to the position and direction of the connector washer on the panel.



10. Close all the connector washers, as shown in Pic.44.

11. Align the steel wire panel to two extension poles, as shown in Pic.45 and Pic.45a.



12. Fasten a connector washer on the steel wire panel to extension poles with bolt and nut, as shown in Pic.46, Pic.46a and Pic.46b.

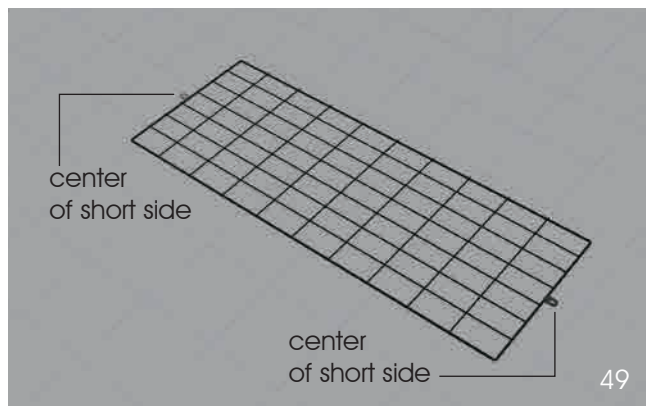


12. Fasten the other three connector washers on the steel wire panel to extension poles with bolts and nuts, as shown in Pic.47.

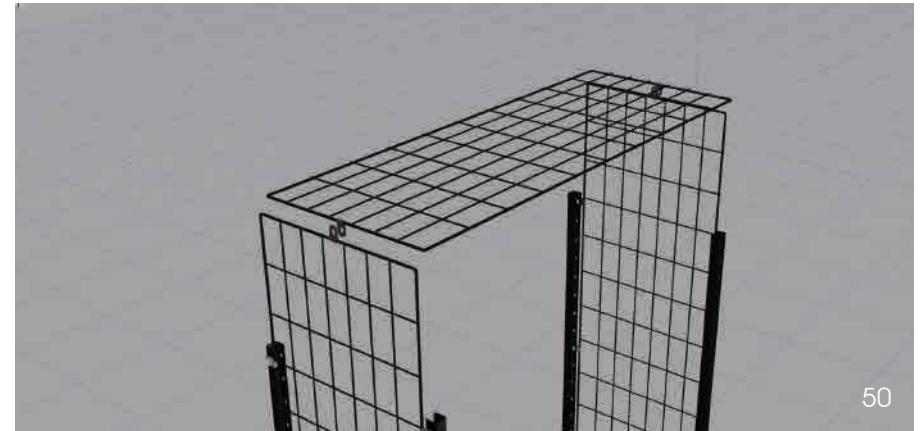


13. Install another steel wire panel follow step 8 to 12, as shown in Pic.48.

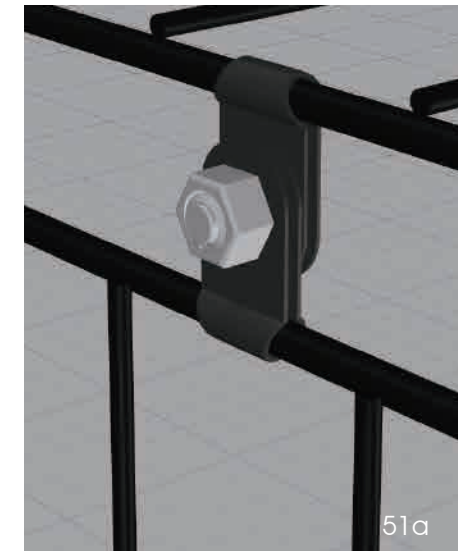
14. Clamp the connector washers onto the third steel wire panel. Then, close the both connector washers, as shown in Pic.49.



15. Align the steel wire panel to those two installed panels, as shown in Pic.50.

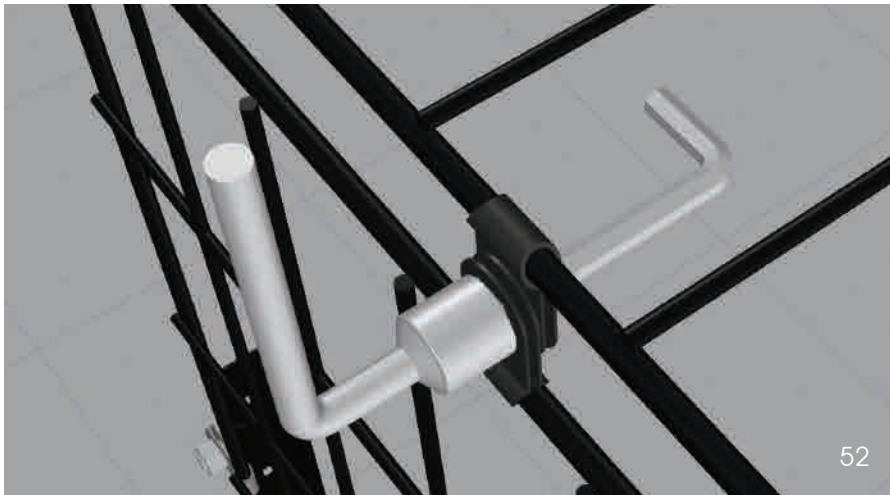


16. Fasten two connector washers with bolt and nut, as shown in Pic.51 and Pic.51a.

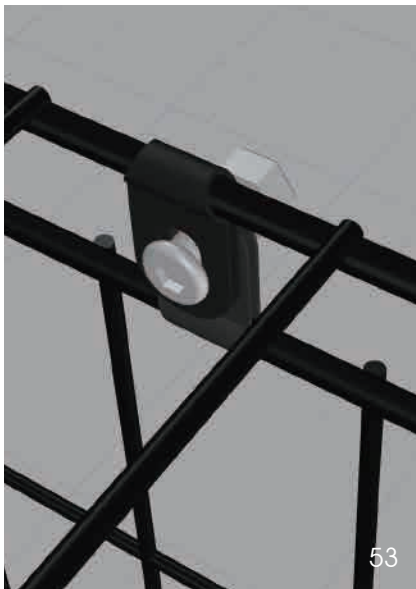


*Note:*  
The direction of these two connector washers should be opposite.

17. Tighten the bolt and nut, as shown in Pic.52.



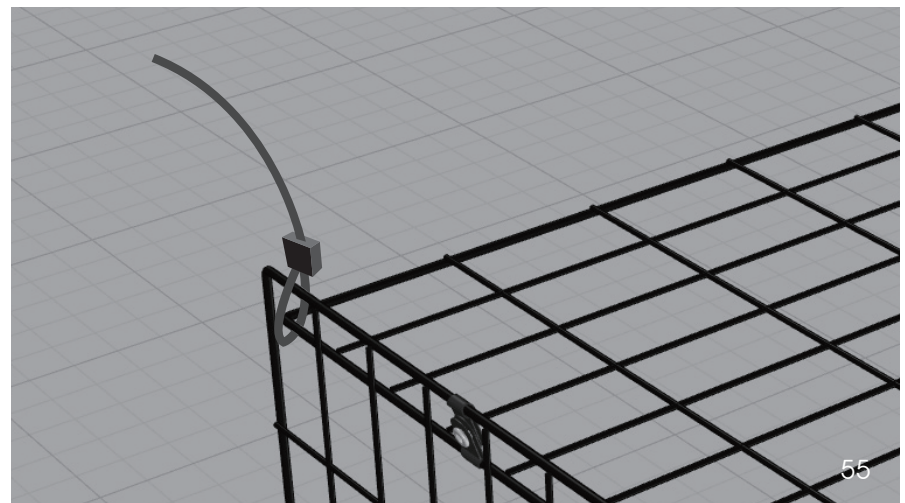
18. Fasten the other two connector washers, as shown in Pic.53 and Pic.53a.

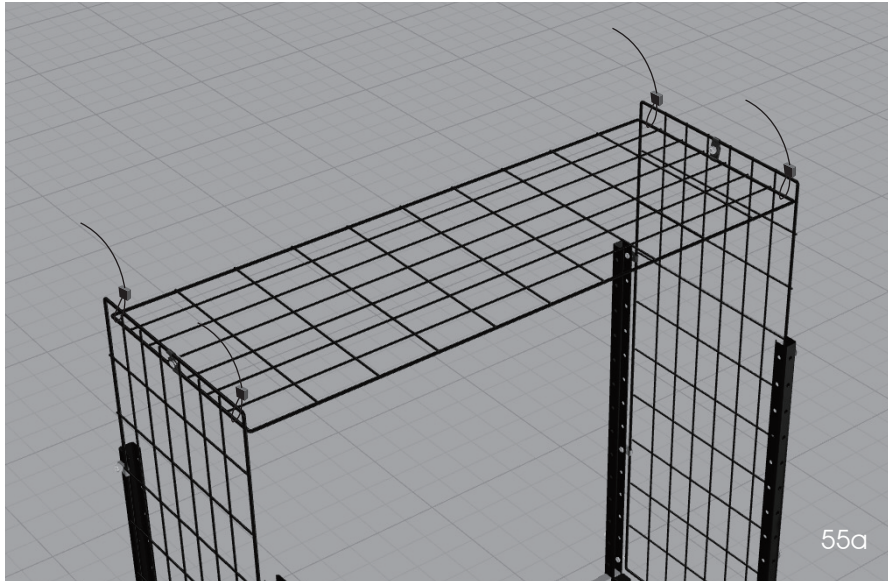


19. Put the roof panel between the two straight panels, as shown in Pic.54.

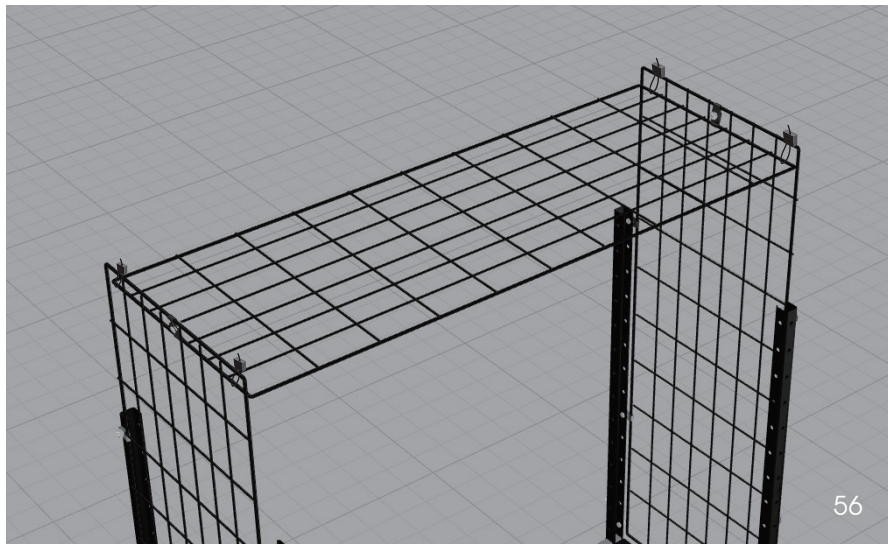


20. Fasten the roof panel with side panels with cable ties at four corners, as shown in Pic.55 and Pic.55a.





21. Tighten all the cables ties and cut extra ties, as shown in Pic.56.



21. Then you can get a pergola of 45" height on our 36" Urban Mobile Garden, as shown in Pic.57.



Note: Use the remaining panel to make a tray on this elevated garden bed, which can reinforce the stability of the structure.

# Bloom On.

**Everbloom-Garden.com**

US Patent Pending

★ Subscribe at [www.everbloom-garden.com](http://www.everbloom-garden.com) for  
extra savings and upgrading information!



Distributed by:  
Dynaforge Trading LLC  
St. Paul, MN55101  
Email: [service@everbloom-garden.com](mailto:service@everbloom-garden.com)