

ASSEMBLY INSTRUCTIONS



Fine Furniture for every stage of life

(B1&B2) **Dining Table**

REVISION 0: 02/10/2015
REVISION 1: 10/16/2017
REVISION 2: 07/22/2019
REVISION 3: 05/21/2020

ASSEMBLY INSTRUCTIONS

ASSEMBLY TIPS:

1. Remove hardware from box and sort by size.
2. Please check to see that all hardware and parts are present prior to start of assembly.
3. Please follow attached instructions in the same sequence as numbered to assure fast & easy assembly.



WARNING!

1. Don't attempt to repair or modify parts that are broken or defective. Please contact the store immediately.
2. This product is for home use only and not intended for commercial establishments.



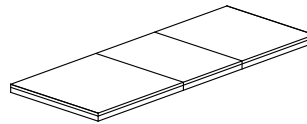
ASSEMBLY TIME

10 MINUTES

PARTS IDENTIFICATION

B1 (BOX 1)

A TOP



1PC

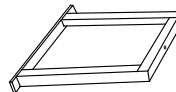
C STRETCHER



2PCS

B2 (BOX 2)

B LEG FRAME

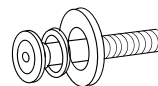


2PCS

HARDWARE IDENTIFICATION

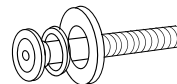
B1 (BOX 1) - HARDWARE PACK IS LOCATED IN (B1)

1 SHORT BOLT WITH WASHER
(M6 x 40mm - BLK)



8PCS

2 LONG BOLT WITH WASHER
(M6 x 60mm - BLK)



2PCS

3 HEX NUT
(5/16 - GD)



2PCS

4 LOCK WASHER
(M8 X 13mm - GD)



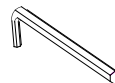
2PCS

5 FLAT WASHER
(M8 X 22mm - GD)



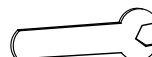
2PCS

6 ALLEN WRENCH
(M4 - GD)



1PC

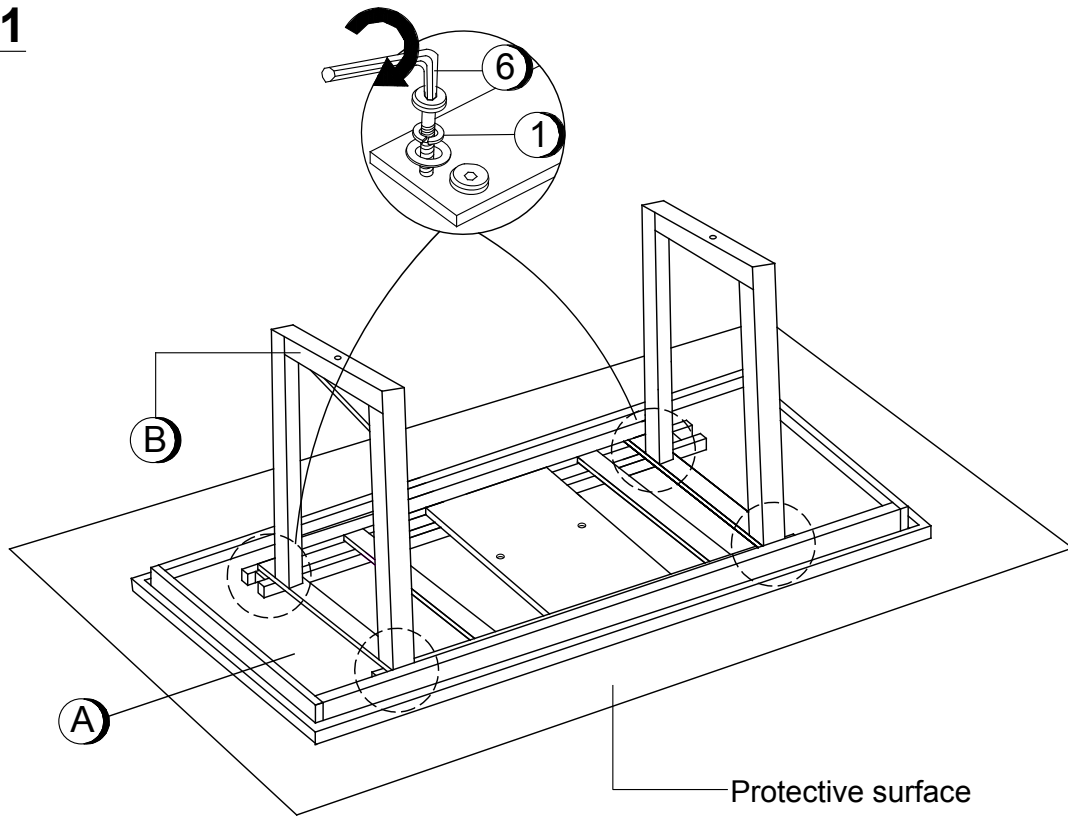
7 WRENCH
(12.8 - GD)



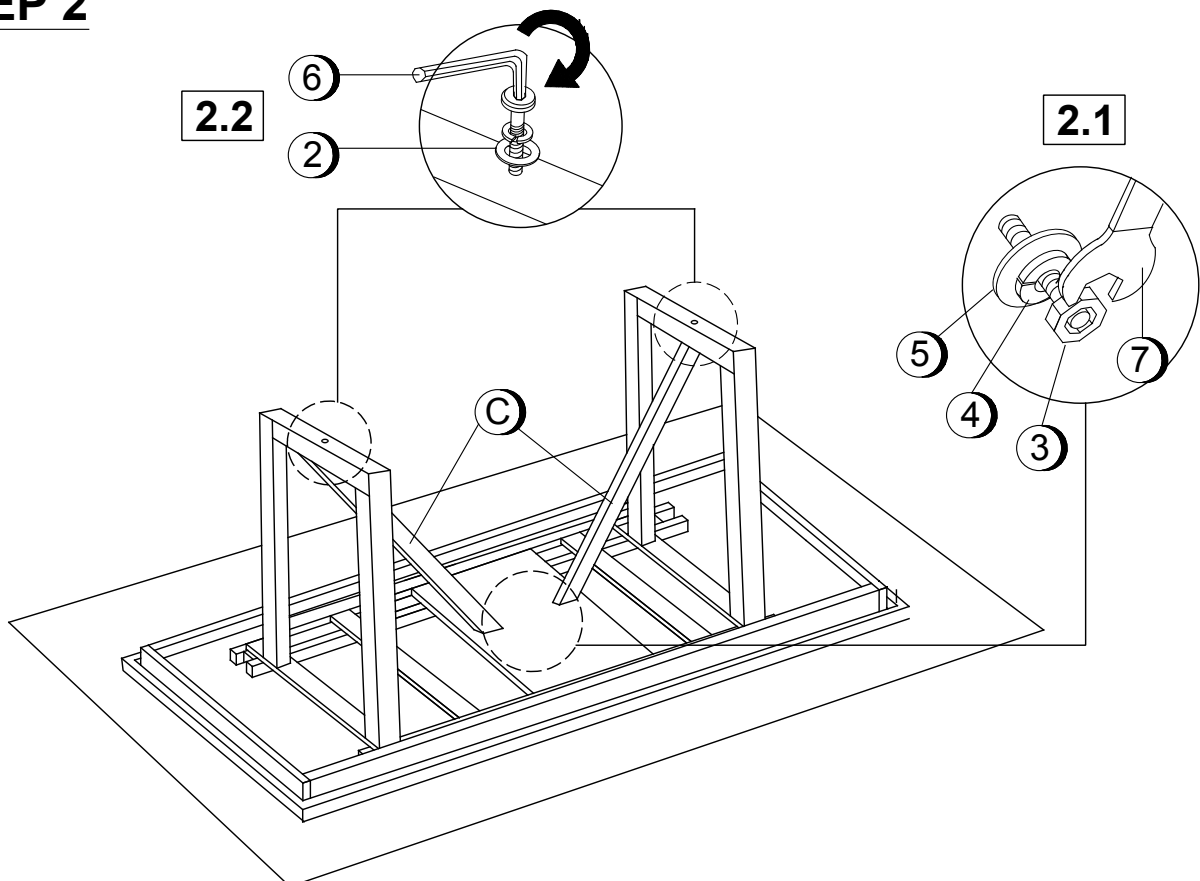
1PC

ASSEMBLY INSTRUCTIONS

STEP 1

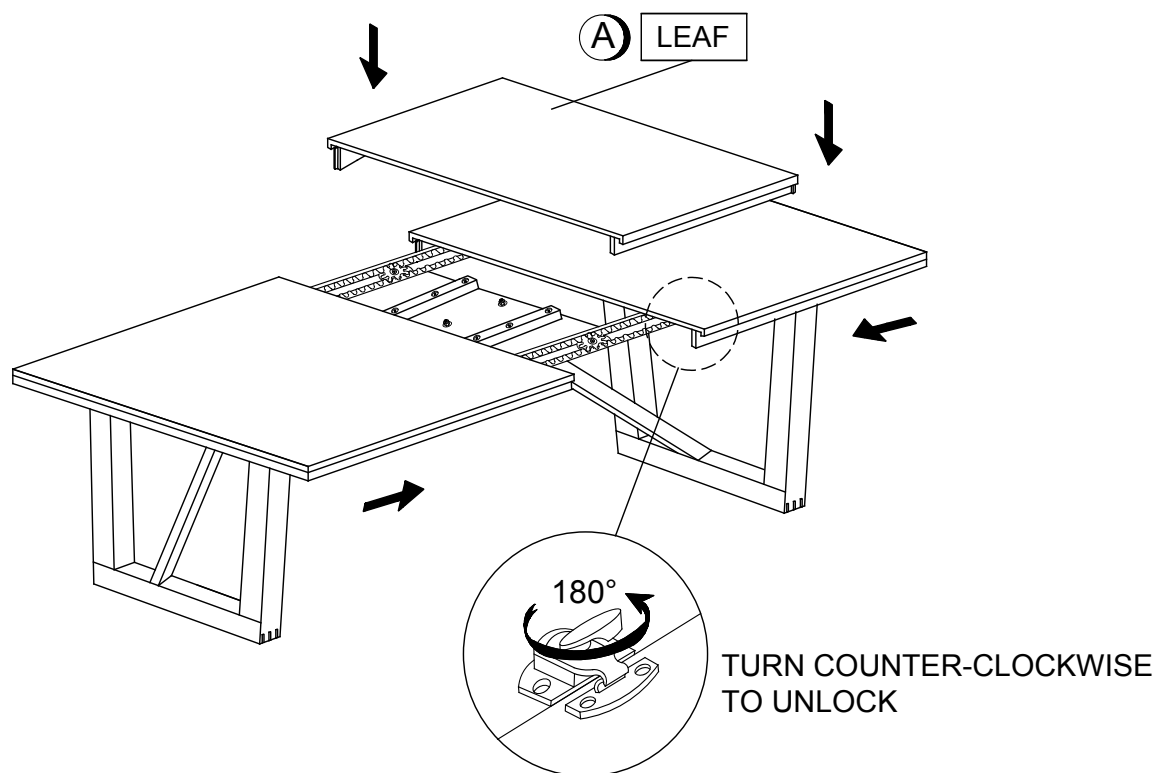


STEP 2

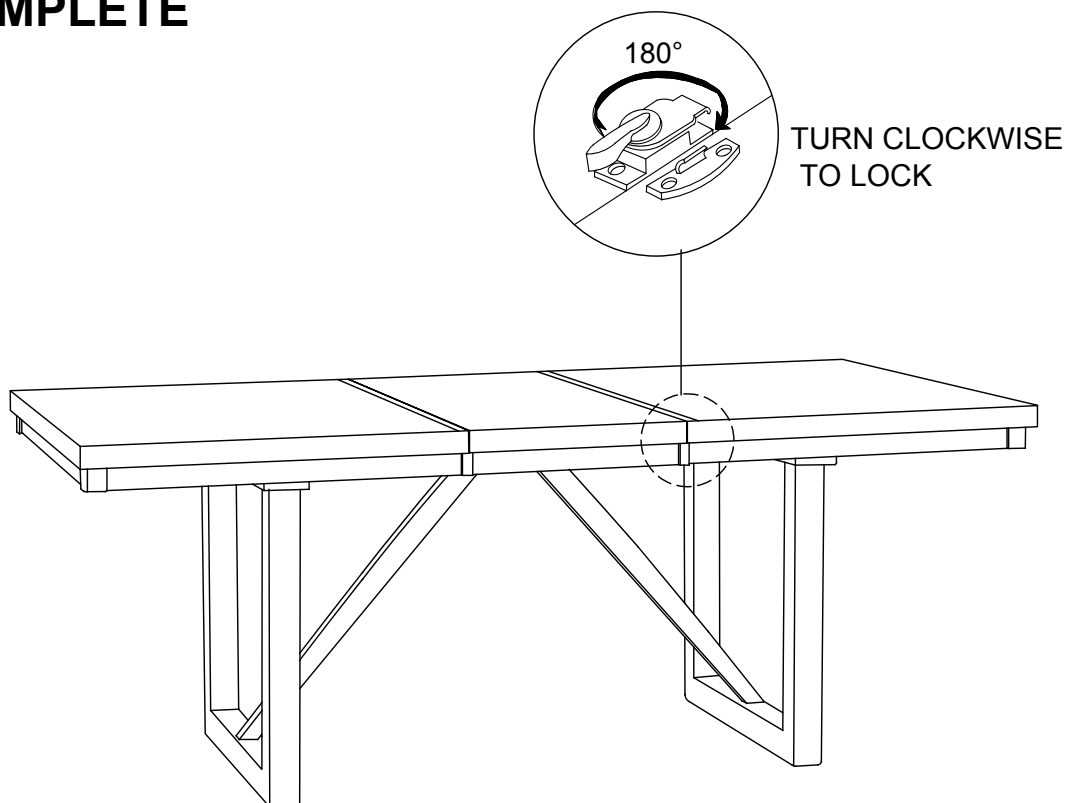


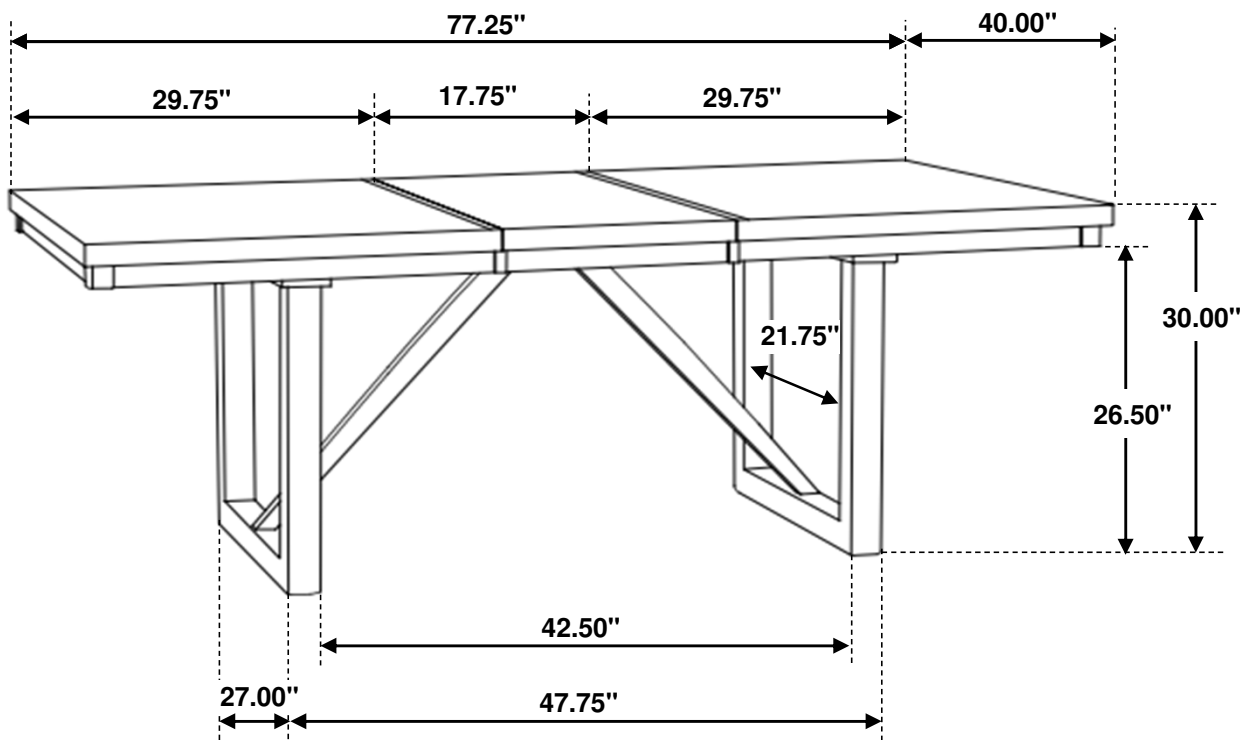
ASSEMBLY INSTRUCTIONS

STEP 3



STEP 4 COMPLETE





Note : Dimension tolerance $\pm 5\%$

ASSEMBLY INSTRUCTIONS



Fine Furniture for every stage of life

Dining Side Chair

REVISION 0:10/04/2017
REVISION 1:10/11/2019

ASSEMBLY INSTRUCTIONS

ASSEMBLY TIPS:

1. Remove hardware from box and sort by size.
2. Please check to see that all hardware and parts are present prior to start of assembly.
3. Please follow attached instructions in the same sequence as numbered to assure fast & easy assembly.



WARNING!

1. Don't attempt to repair or modify parts that are broken or defective. Please contact the store immediately.
2. This product is for home use only and not intended for commercial establishments.

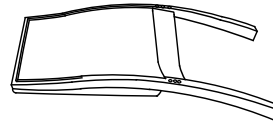


ASSEMBLY TIME

10 MINUTES

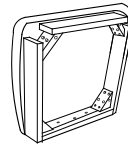
PARTS IDENTIFICATION

A BACK FRAME



1PC

B SEAT CUSHION WITH FRAME



1PC

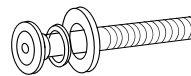
C FRONT LEG



2PCS

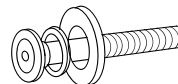
HARDWARE IDENTIFICATION

1 LONG BOLT WITH WASHER
(M6 x 80mm - BLK)



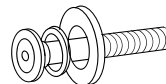
4PCS

2 MEDIUM BOLT WITH WASHER
(M6 x 60mm - BLK)



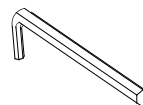
4PCS

3 SHORT BOLT WITH WASHER
(M6 x 45mm - BLK)



3PCS

4 ALLEN WRENCH
(M4 - GD)



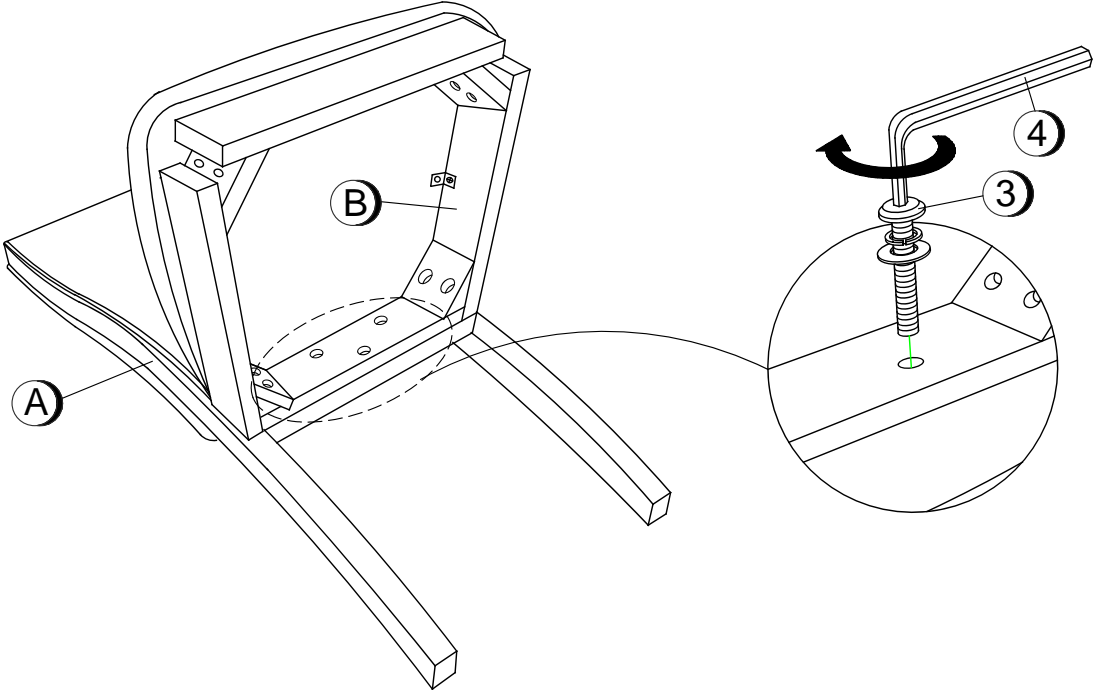
1PC

NOTE:

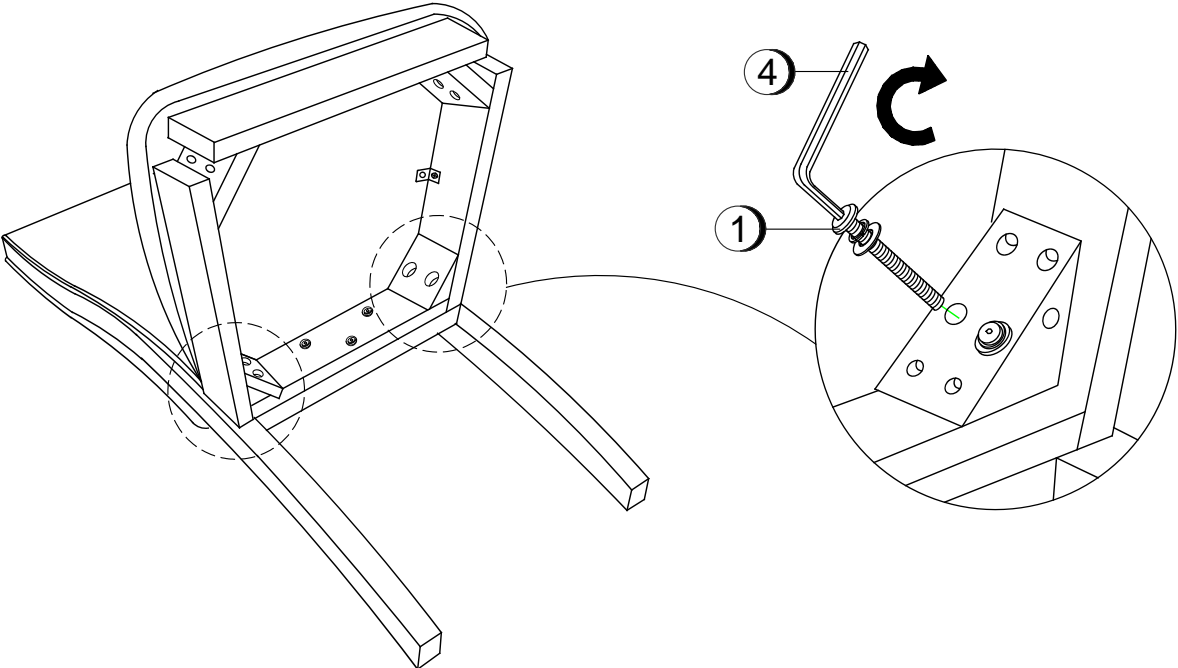
Quantities shown are for one chair.

ASSEMBLY INSTRUCTIONS

STEP 1

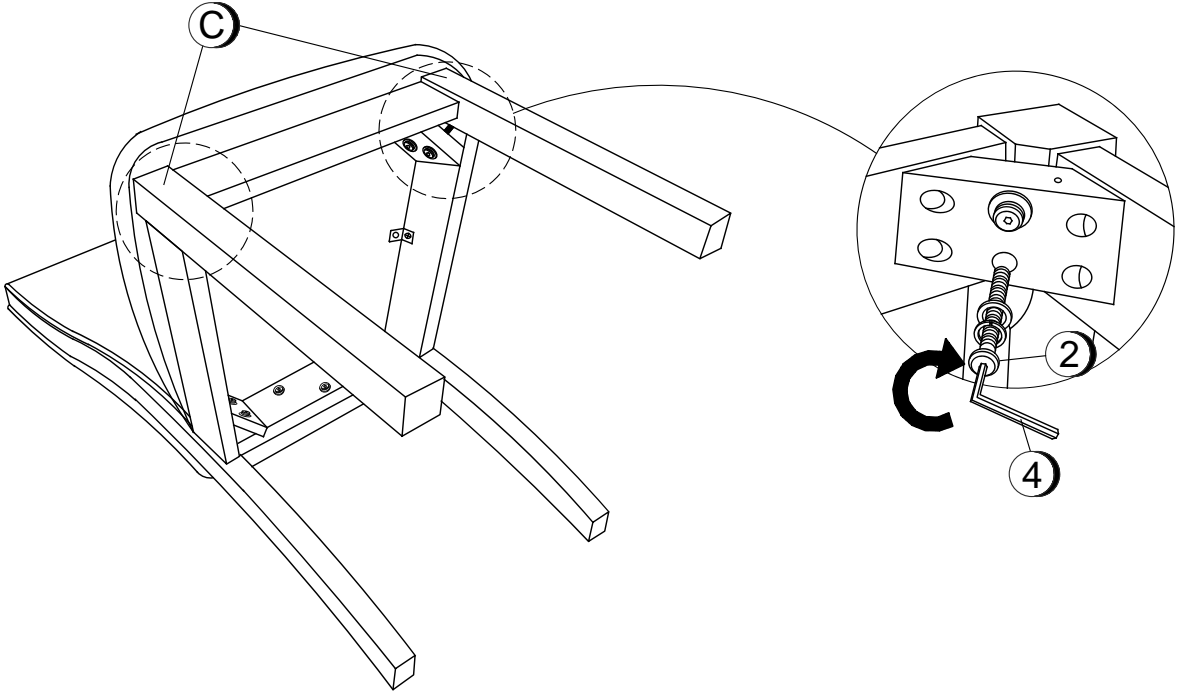


STEP 2

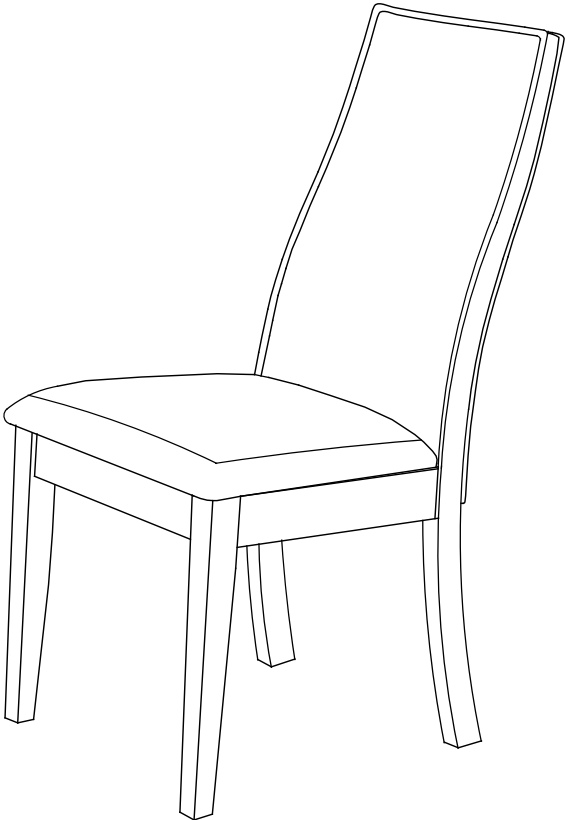


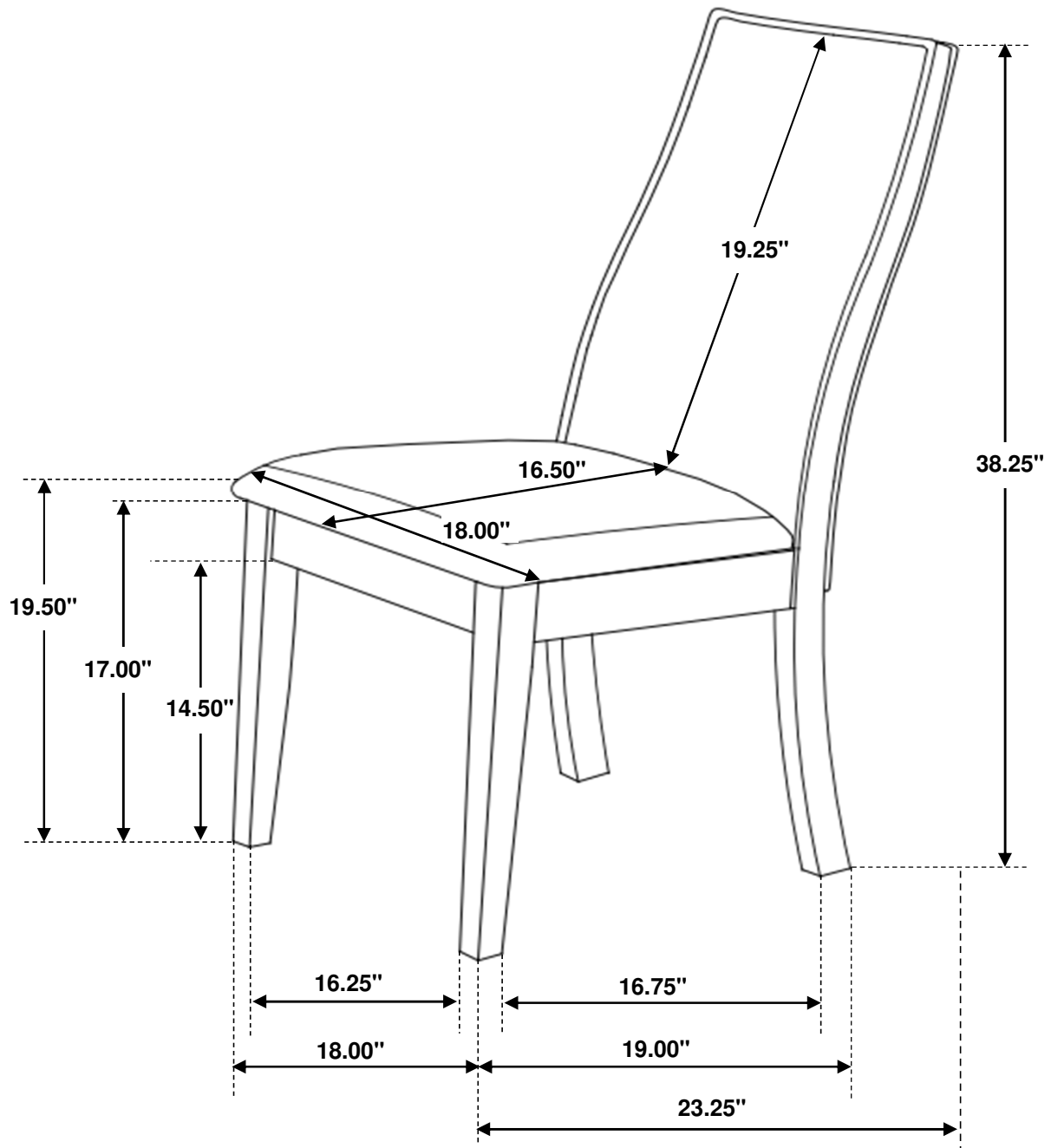
ASSEMBLY INSTRUCTIONS

STEP 3



STEP 4 COMPLETE





Note : Dimension tolerance $\pm 5\%$