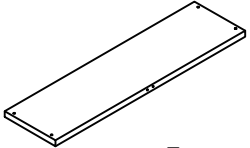
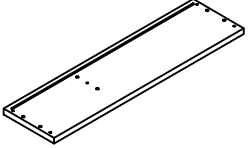

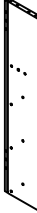
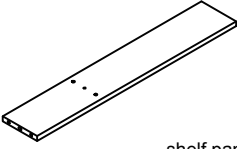
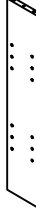
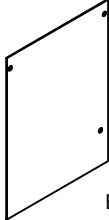
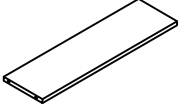
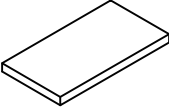
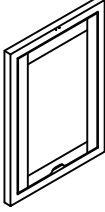


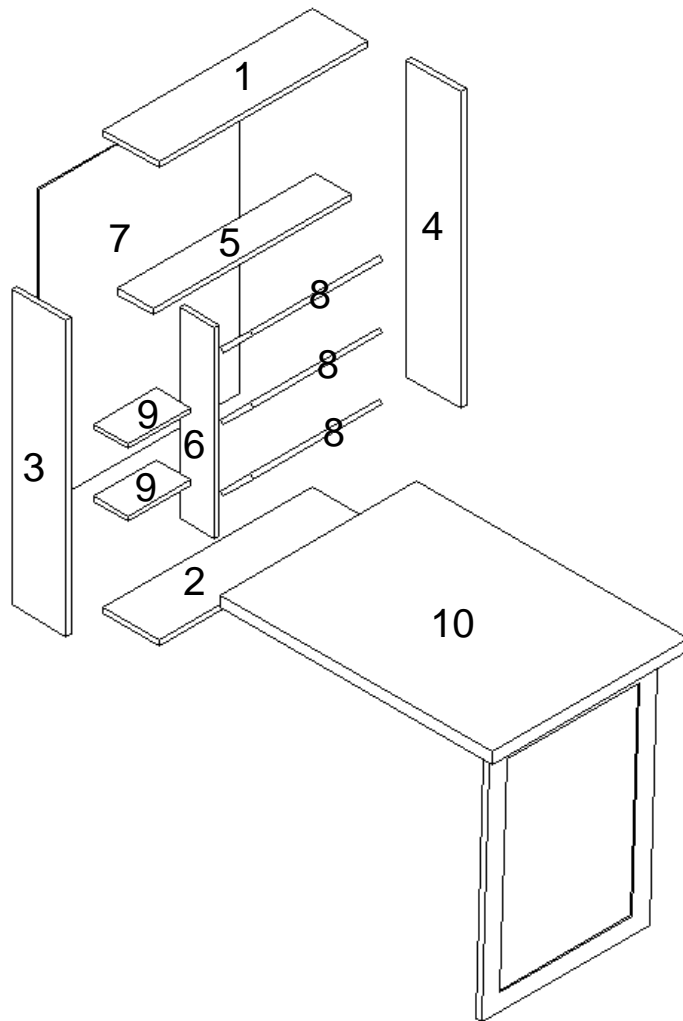
USER'S MANUAL
Computer Desk

Board Identification

<p>1</p>  <p>Top panel *1</p>	<p>2</p>  <p>Bottom panel *1</p>
<p>3</p>  <p>Left side panel *1</p>	<p>4</p>  <p>Right side panel *1</p>
<p>5</p>  <p>shelf panel *1</p>	<p>6</p>  <p>small side panel *1</p>
<p>7</p>  <p>Back panel *1</p>	<p>8</p>  <p>shelf panel *3</p>
<p>9</p>  <p>small shelf panel *2</p>	<p>10</p>  <p>desk panel *1</p>

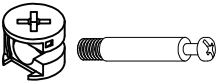
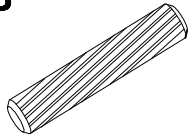
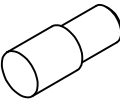
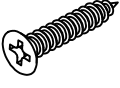
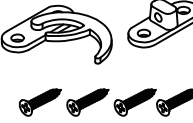
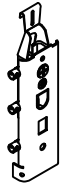
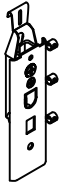
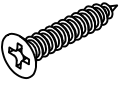
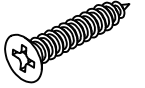

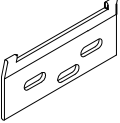


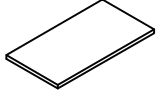
Board Identification

Not actual size



Hardware List

Actual size

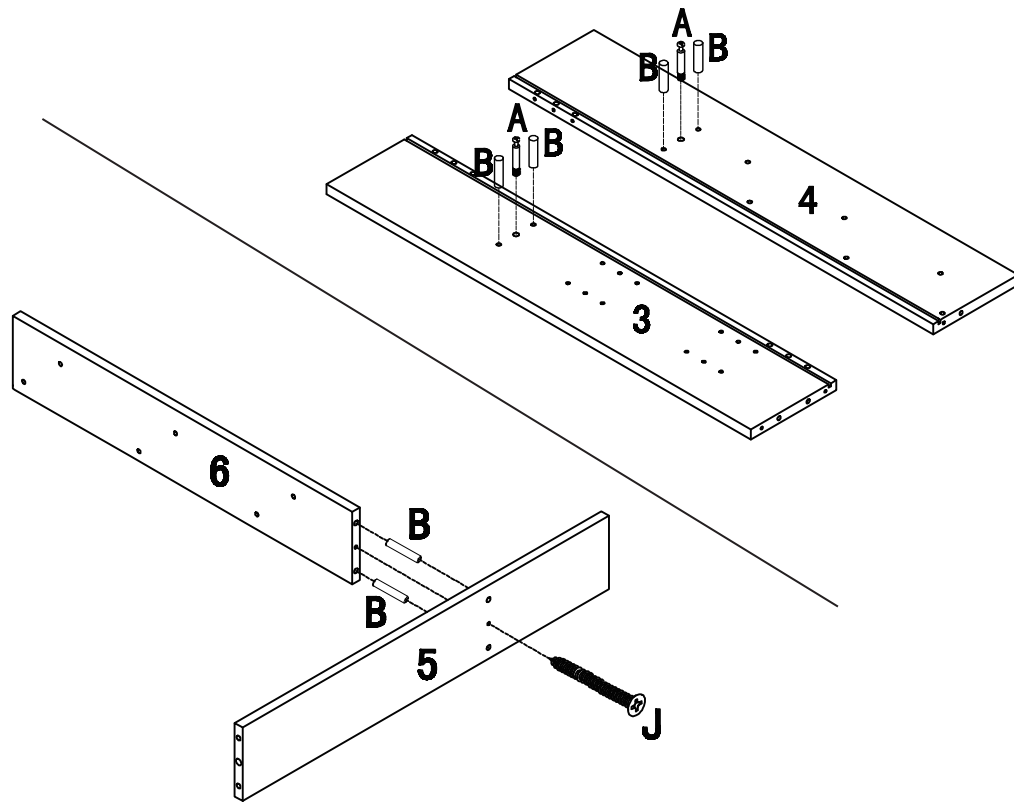
<p>A</p>  <p>$\phi 12 \times 11$ *2</p>	<p>B</p>  <p>$\phi 6 \times 30$ *28</p>	<p>C</p>  <p>*8</p>
<p>D</p>  <p>$\phi 3 \times 16$ *6</p>	<p>E</p>  <p>*1</p>	<p>F</p>  <p>*2</p>
<p>G</p>  <p>*1</p>	<p>H</p>  <p>$\phi 3 \times 20$ *9</p>	<p>I</p>  <p>$\phi 3.5 \times 12$ *4</p>
<p>J</p>  <p>$\phi 5 \times 40$ *10</p>	<p>K</p>  <p>*3</p>	<p>L</p>  <p>$\phi 3.5 \times 35$ *9</p>
<p>M</p>  <p>*9</p>	<p>N</p>  <p>*2</p>	

PRODUCT ASSEMBLY

STEP 1



A*2	B*6	J*4

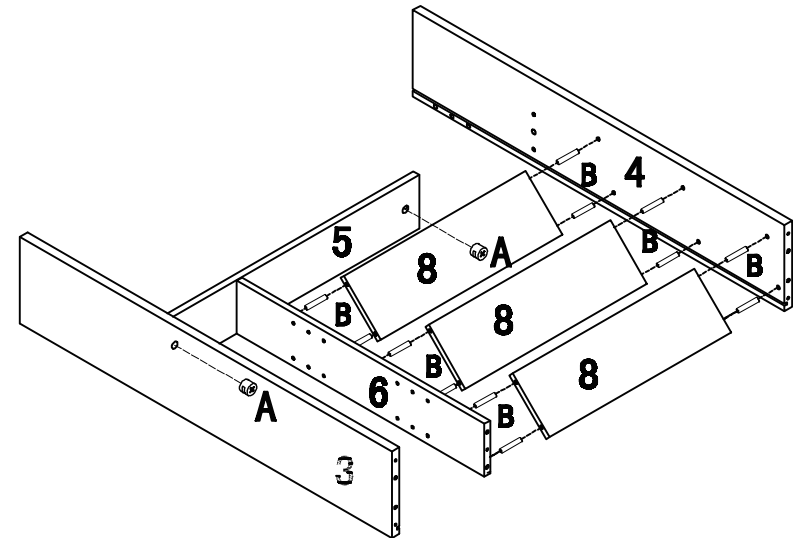


PRODUCT ASSEMBLY

STEP 2

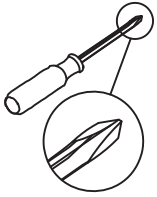




A*2	B*12

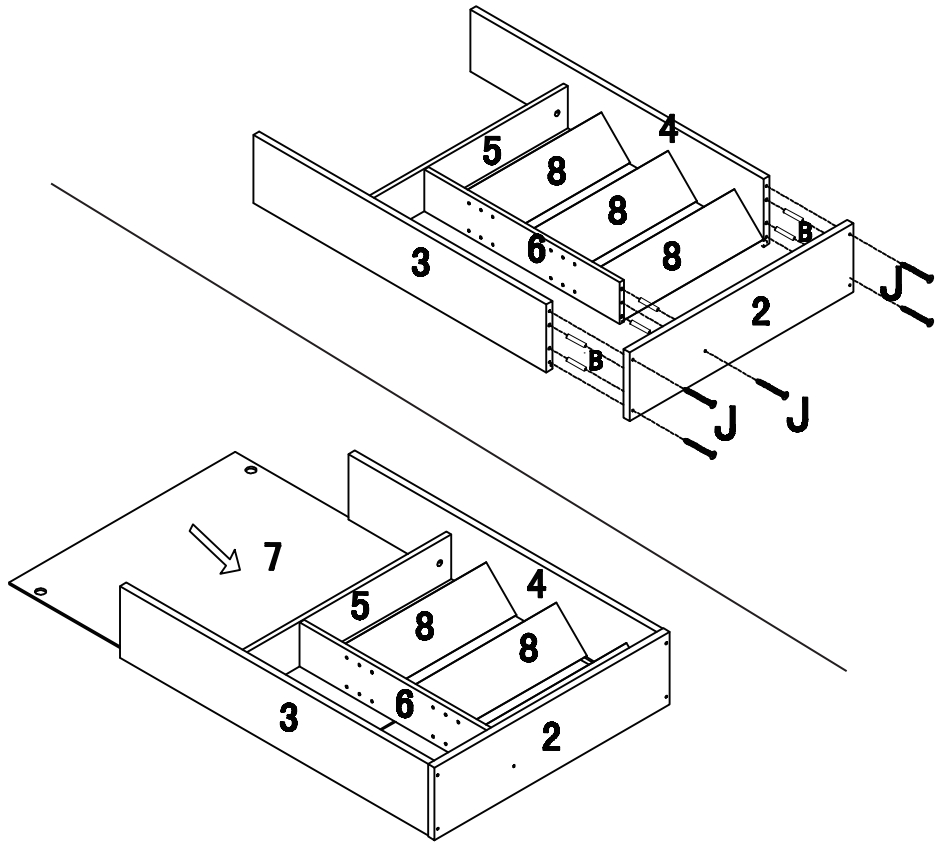


PRODUCT ASSEMBLY

STEP 3






	
B*4	J*4

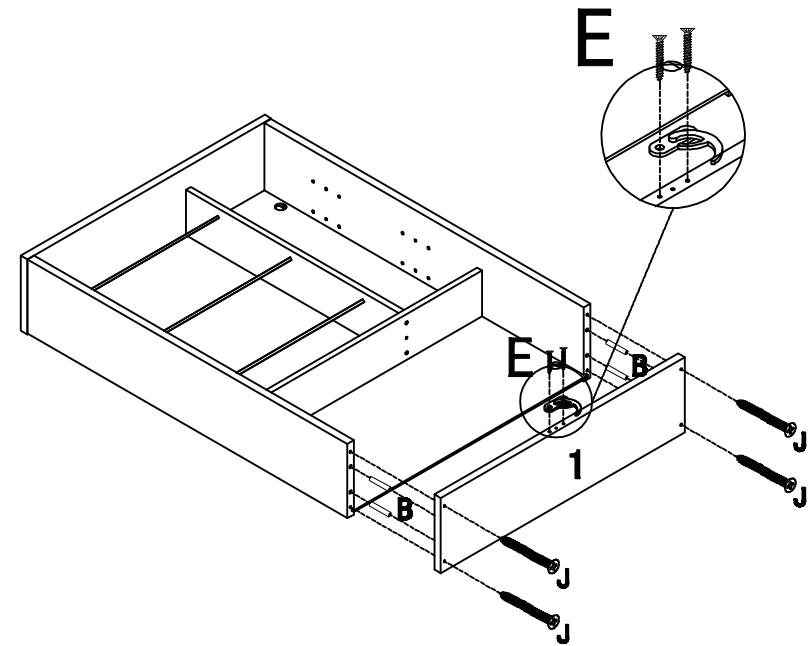


PRODUCT ASSEMBLY

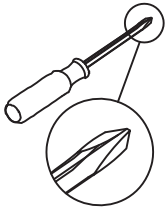
STEP 4



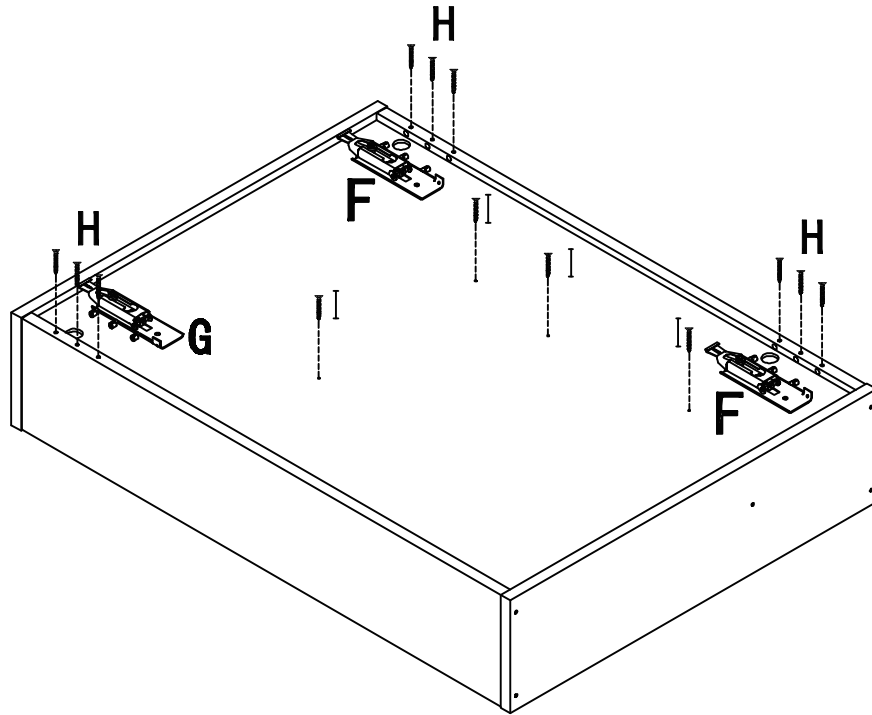
		
B*4	E*1	J*4



STEP 5



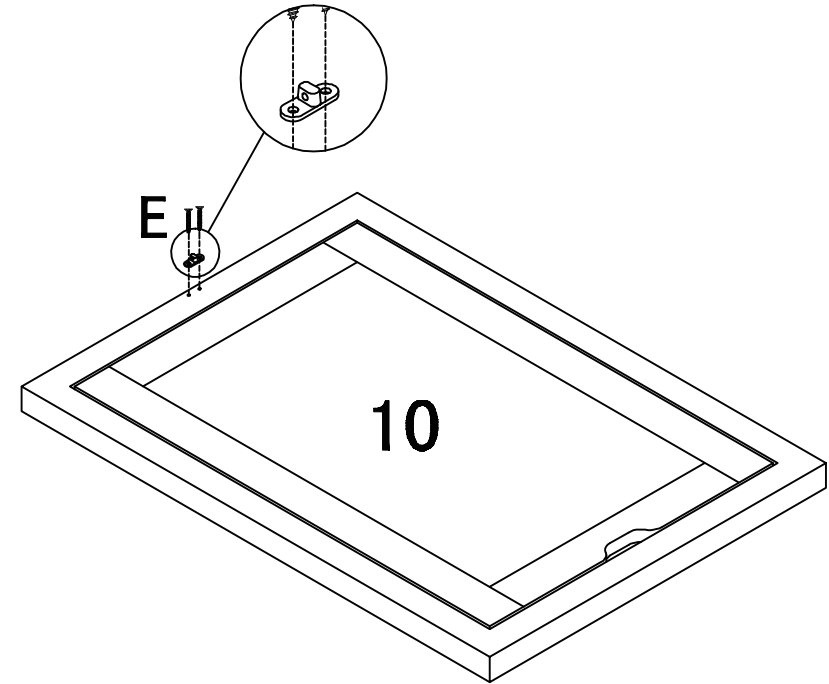
F*2	G*1	H*9	I*4



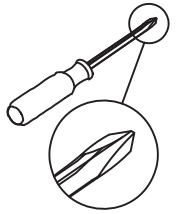
STEP 6

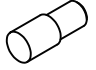



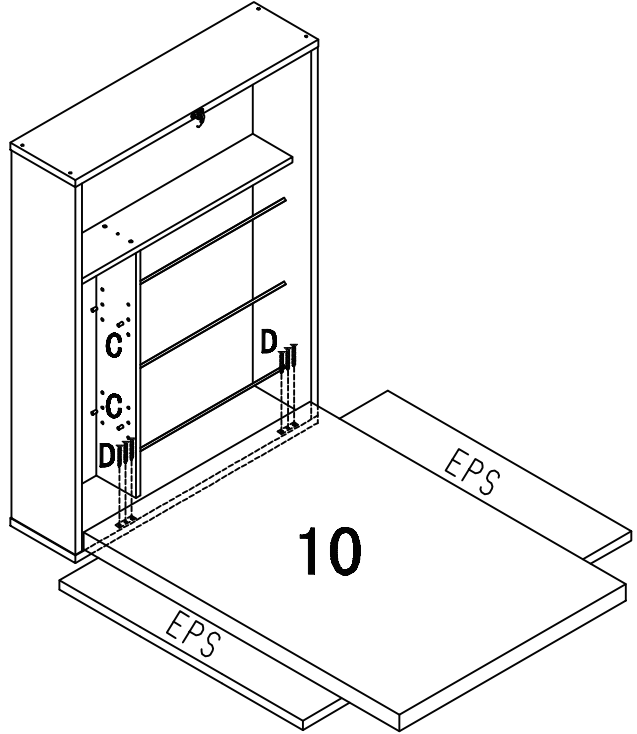
E*1



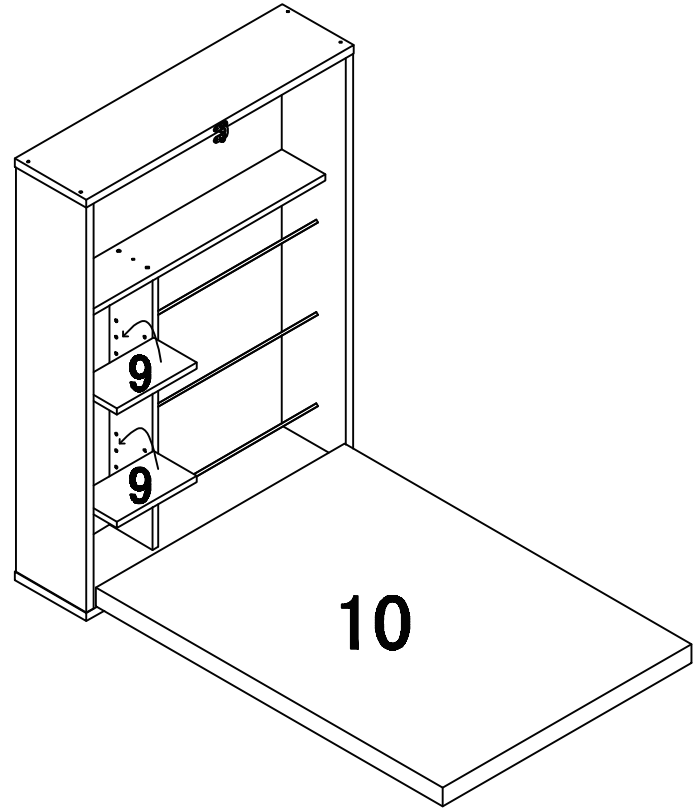
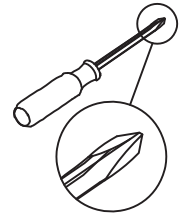
STEP 7



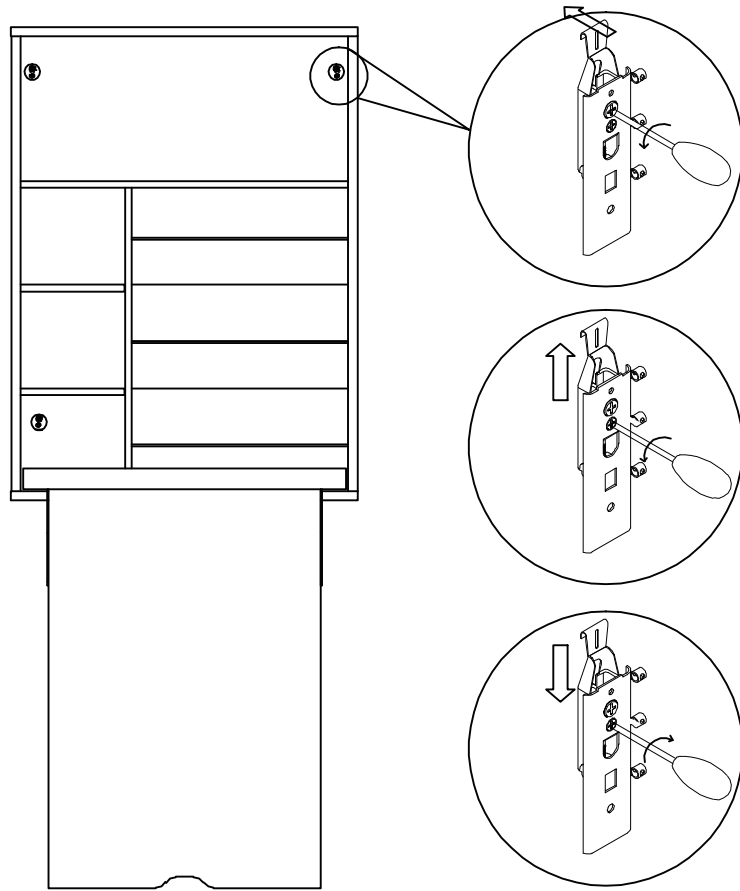
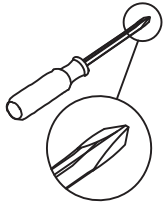
	
C*8	D*6



STEP 8

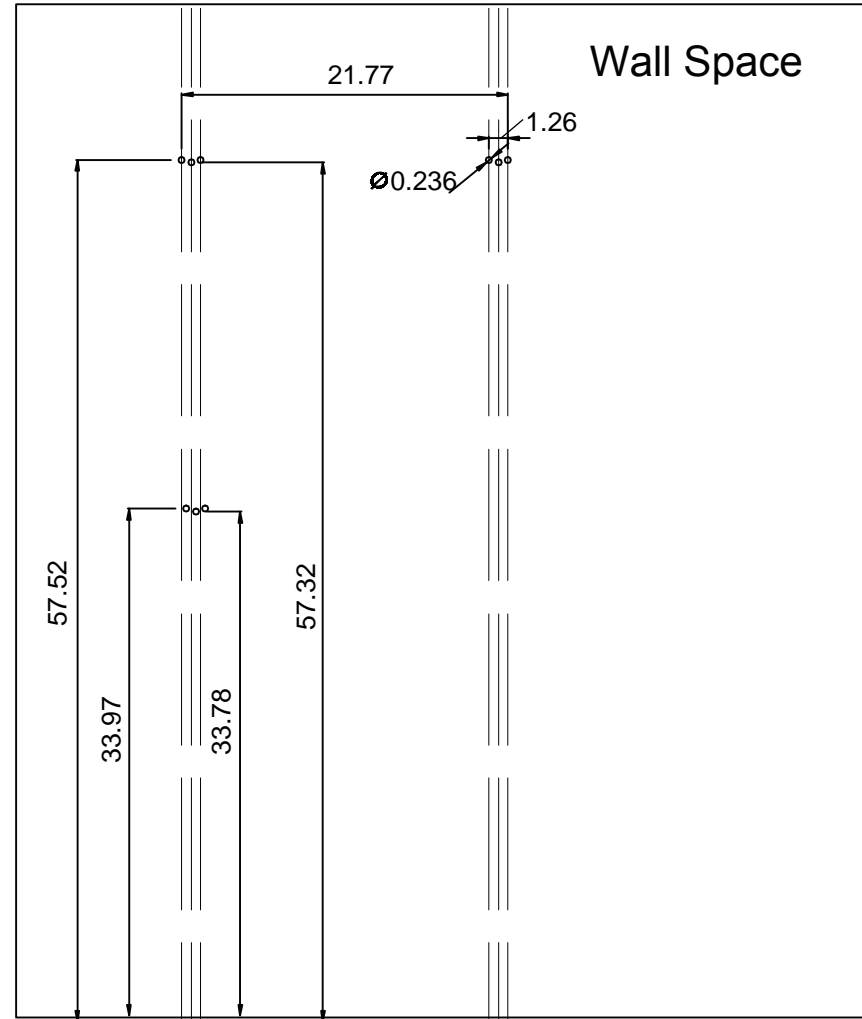


STEP 9

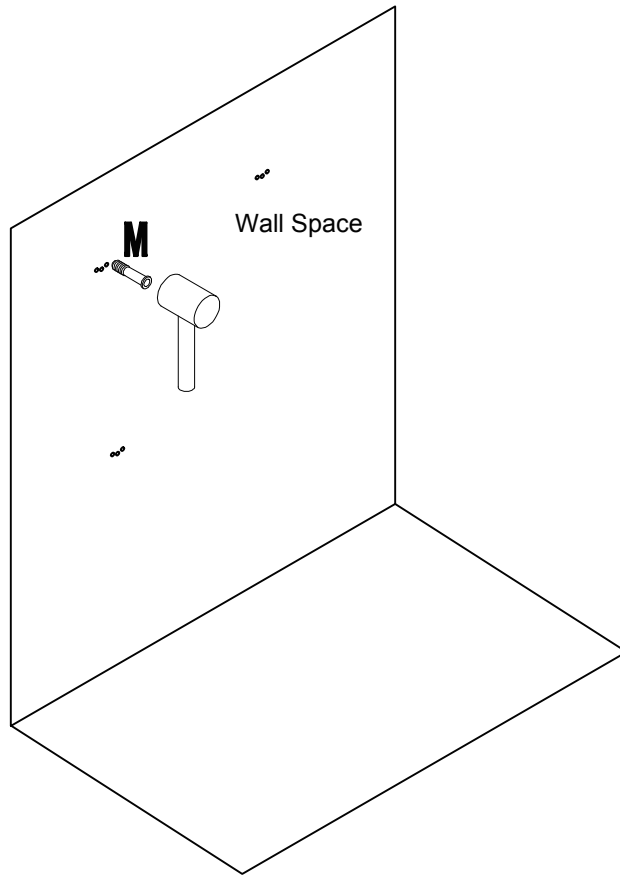
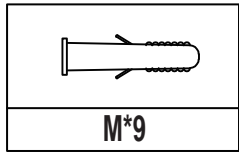


STEP 10

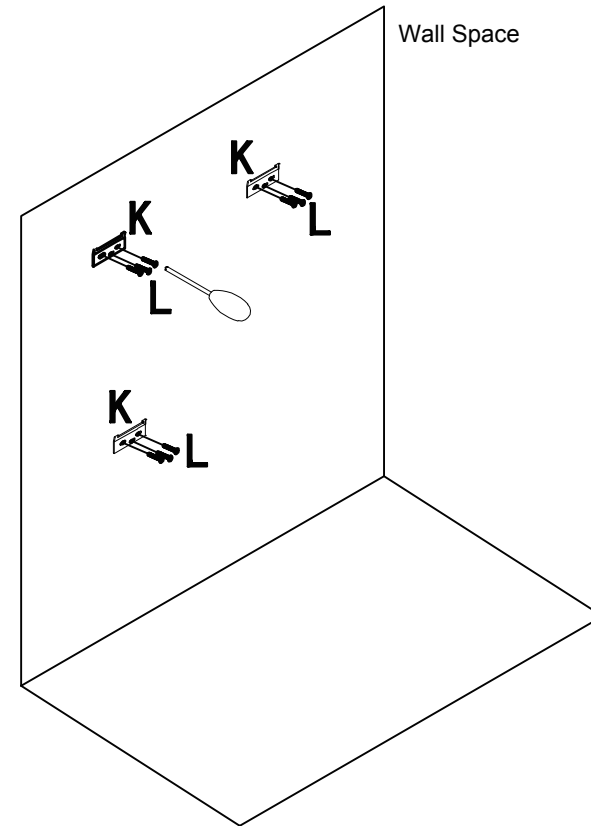
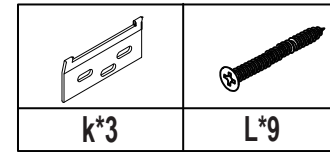
unit:inch



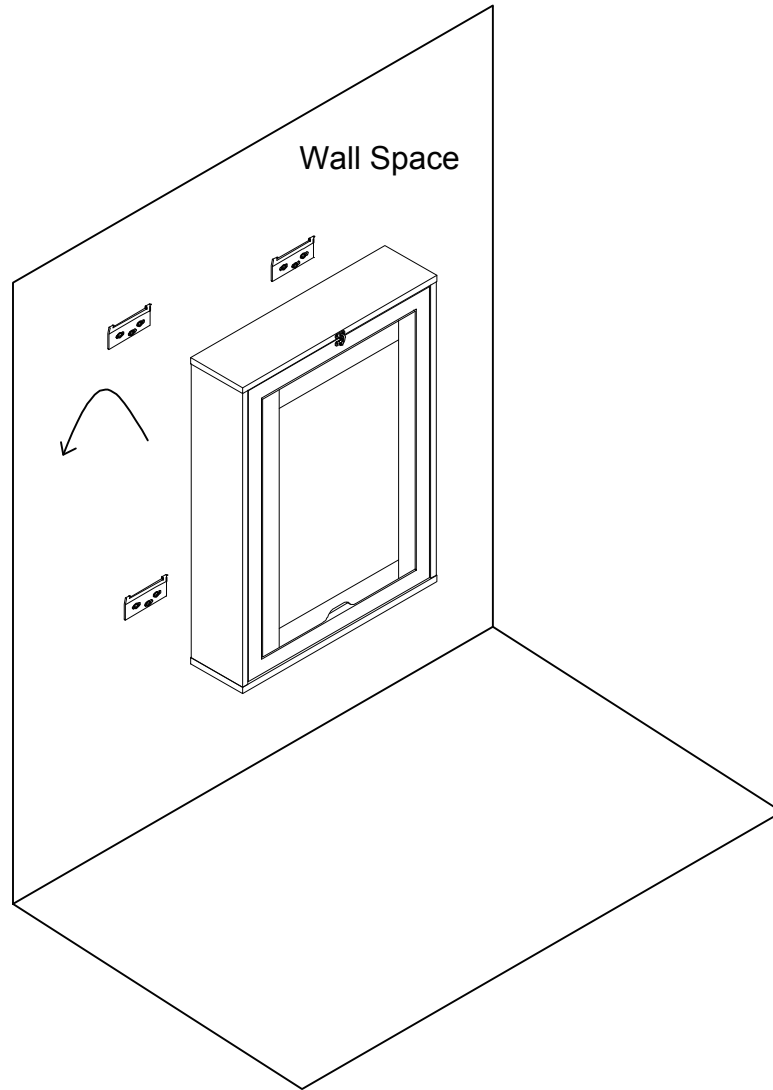
STEP 11



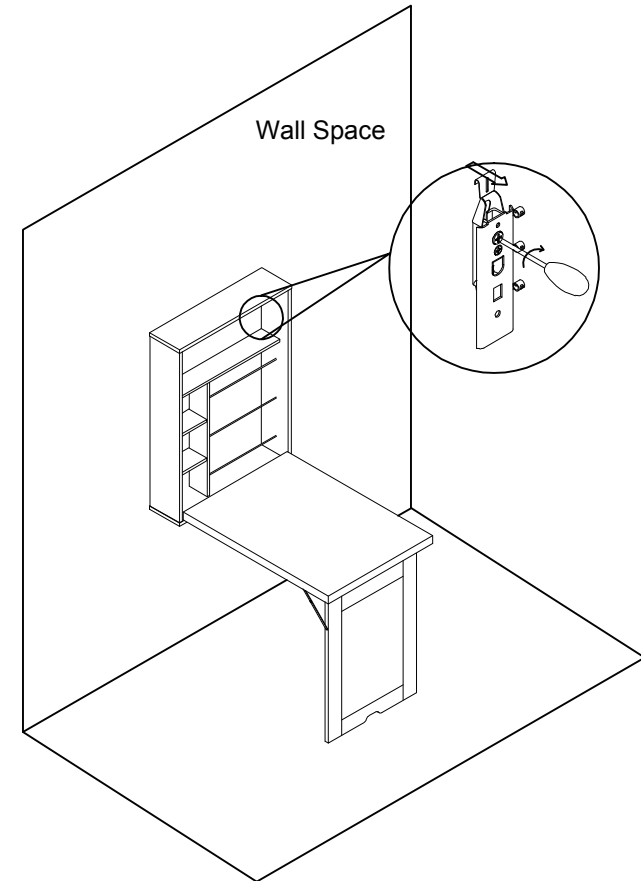
STEP 12



STEP 13



STEP 14



⚠ WARNING

This item is only suitable within the specified maximum load-bearing. Heavier loads than the indicated load capacity may cause instability, resulting in possible injuries.