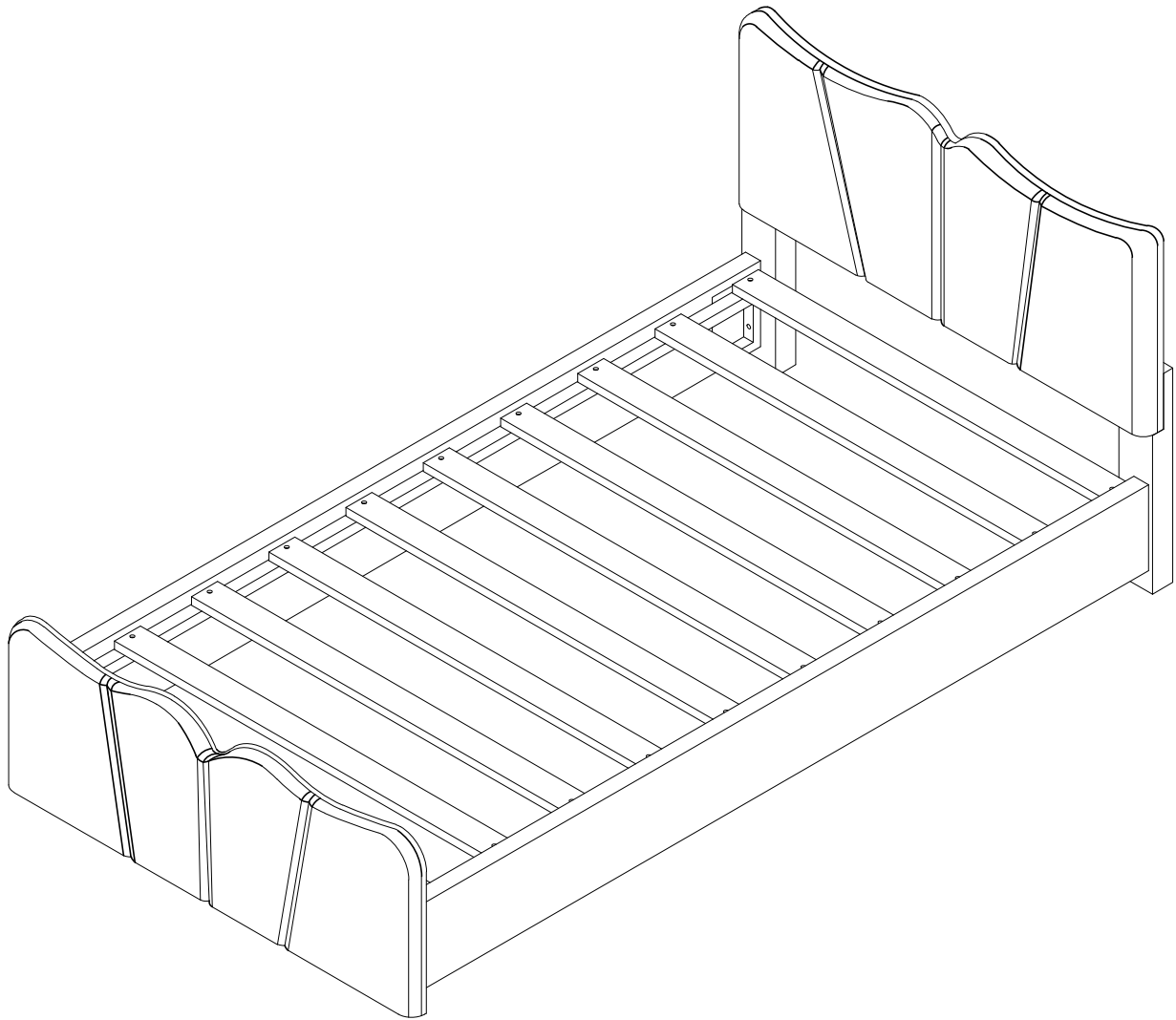
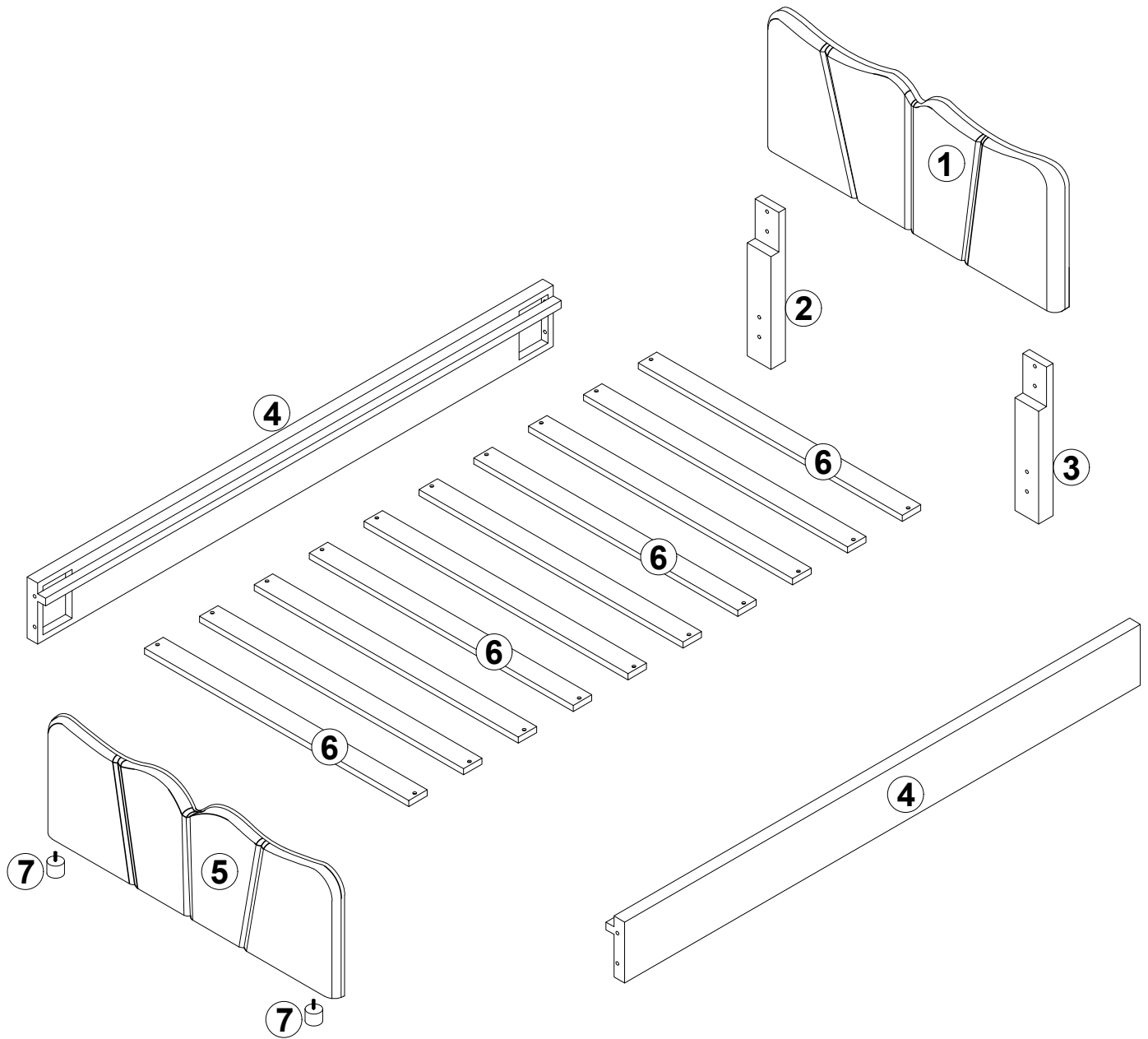


# ASSEMBLY INSTRUCTION

SKU CODE: WF531530/ WF531531

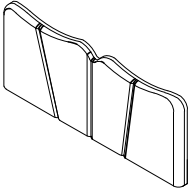


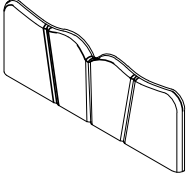
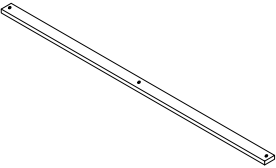



# Detail View - TWIN BED



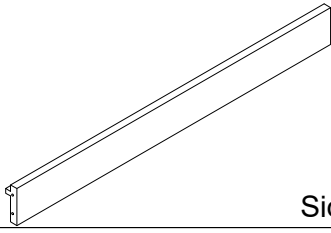
Identifying the Hardware - Identify the hardware using the illustrations below.

# Part Lists: WF531530

<p><b>1</b></p>  <p>Headboard-1pc</p>	<p><b>2</b></p>  <p>Headboard left leg -1pc</p>
<p><b>3</b></p>  <p>Headboard right leg-1pc</p>	<p><b>5</b></p>  <p>Footboard - 1pc</p>
<p><b>6</b></p>  <p>Bed slat - 10pcs</p>	<p><b>7</b></p>  <p>Footboard leg -2pcs</p>

Part Lists: **WF531531**

4



Side rail - 2pcs

# HARDWARE LISTS: WF531531

<div data-bbox="124 145 183 179" data-label="Text"><b>A</b></div> <div data-bbox="295 190 518 302" data-label="Image"> </div> <div data-bbox="359 313 438 347" data-label="Text">4mm</div> <div data-bbox="343 347 550 392" data-label="Text">Allen key (1pc)</div>	<div data-bbox="821 145 880 179" data-label="Text"><b>B</b></div> <div data-bbox="1077 156 1268 302" data-label="Image"> </div> <div data-bbox="1061 313 1284 347" data-label="Text">Ø5/16" x 50mm</div> <div data-bbox="1045 347 1348 392" data-label="Text">Hex-head bolt (12pcs)</div>
<div data-bbox="124 392 183 425" data-label="Text"><b>C</b></div> <div data-bbox="422 414 486 492" data-label="Image"> </div> <div data-bbox="406 537 502 571" data-label="Text">Ø5/16"</div> <div data-bbox="343 582 646 616" data-label="Text">Spring washer (12pcs)</div>	<div data-bbox="821 392 880 425" data-label="Text"><b>D</b></div> <div data-bbox="1069 425 1141 504" data-label="Image"> </div> <div data-bbox="1077 537 1189 571" data-label="Text">Ø5/16"</div> <div data-bbox="1045 582 1300 616" data-label="Text">Flat washer(12pcs)</div>
<div data-bbox="124 627 183 660" data-label="Text"><b>E</b></div> <div data-bbox="359 638 518 739" data-label="Image"> </div> <div data-bbox="359 772 518 806" data-label="Text">Ø4 x 30mm</div> <div data-bbox="343 817 614 851" data-label="Text">Wood screw (20pcs)</div>	
<div data-bbox="438 963 1045 1064" data-label="Image"> </div>	
<div data-bbox="422 1131 1125 1169" data-label="Text">ASSEMBLY TOOLS REQUIRED ( NOT INCLUDED )</div>	



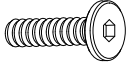
Read this instruction carefully. See hardware and furniture part list for guidance. Be sure all parts are complete, before you assemble. Place all wooden furniture parts on a clean and flat soft surface to prevent from being scratched. Follow the figure to start assembling.

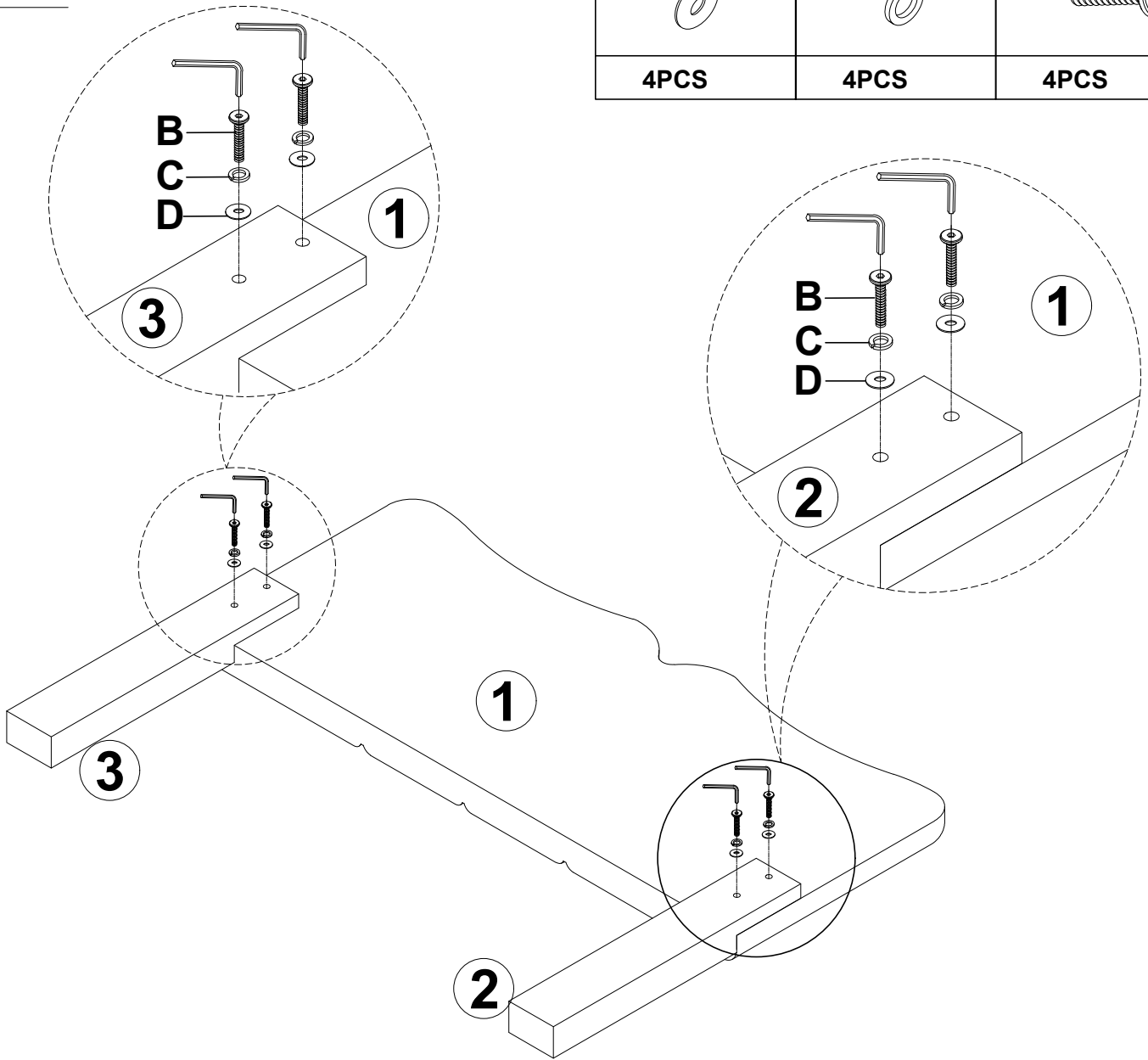
### CAUTIONS :

1. Do not FULLY - TIGHTEN the nut or nut bolt until all nut or bolt is ready assembled.
2. Do not OVER - TIGHTEN the nut or bolt to avoid causing damages to the thread.
3. Keep all hardware parts out of reach of children.

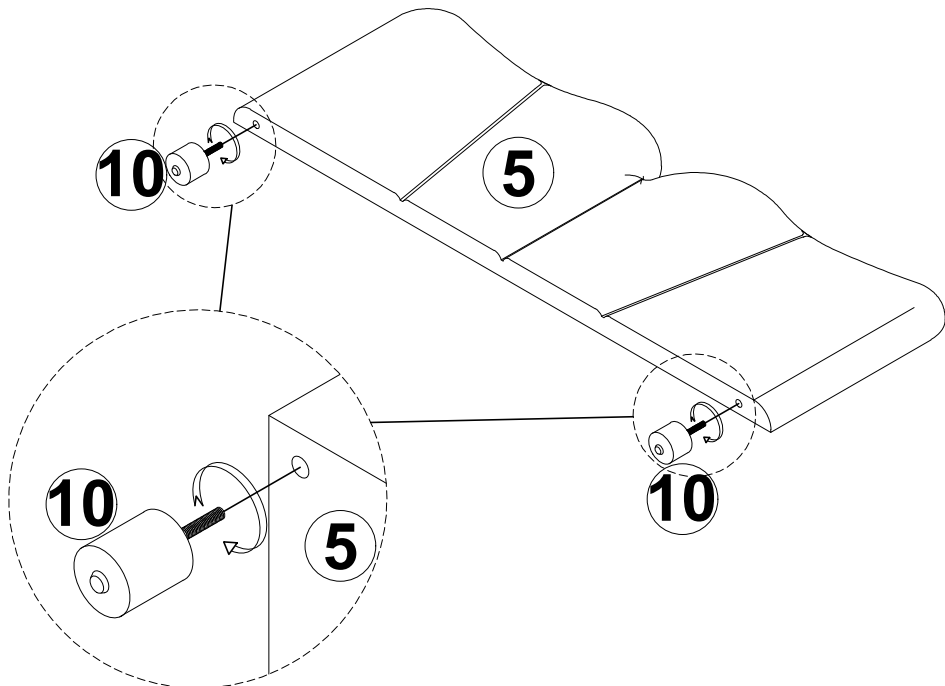
NOTE : THE LIST AND QUANTITY SHOWN ARE FOR 1 UNIT ASSEMBLY.

# STEP 1



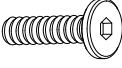
<b>D</b>		<b>C</b>		<b>B</b>	
<b>4PCS</b>		<b>4PCS</b>		<b>4PCS</b>	

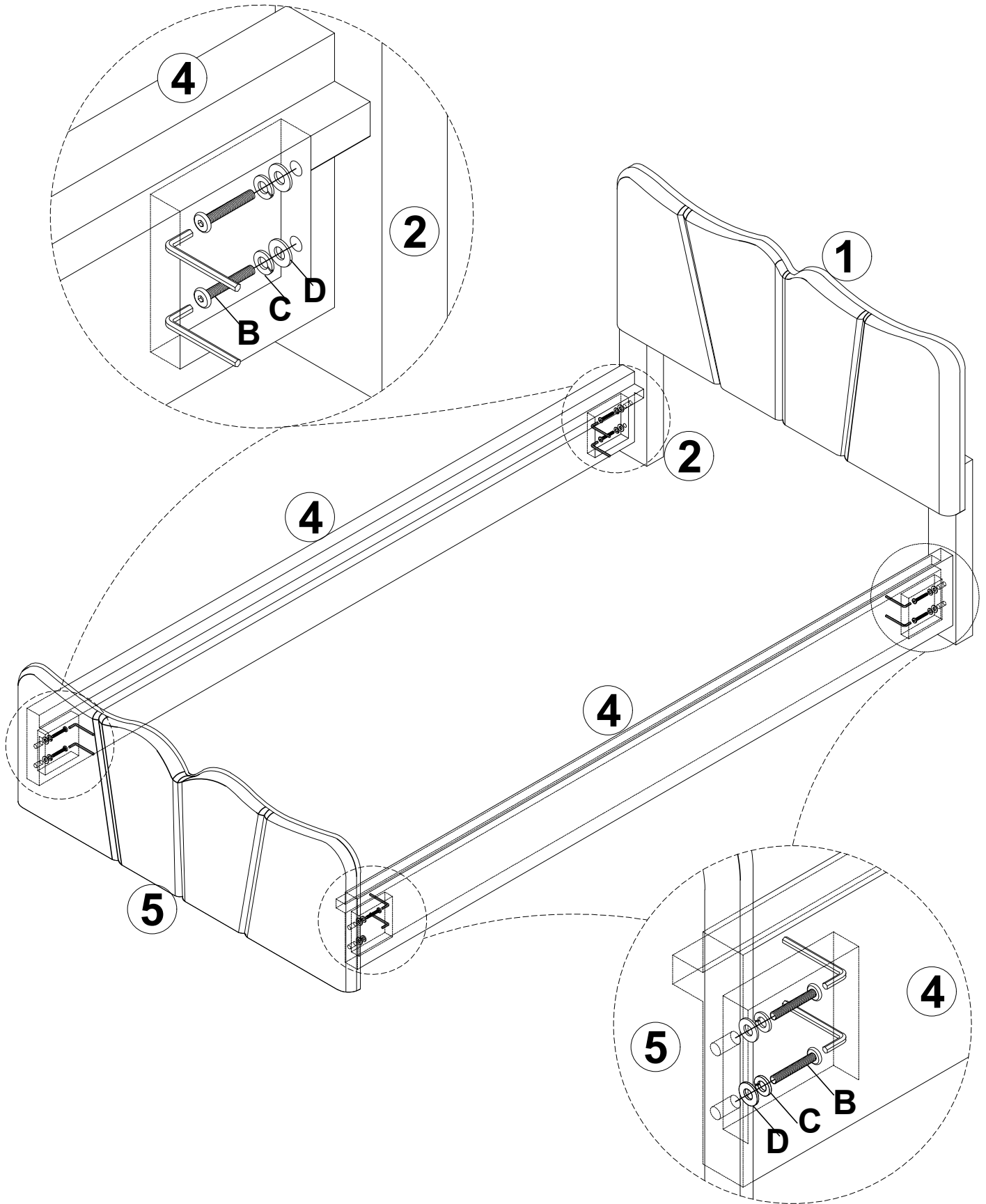


# STEP 2



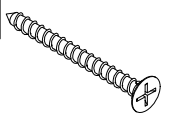
# STEP 3

<b>D</b>		<b>C</b>		<b>B</b>	
<b>8PCS</b>		<b>8PCS</b>		<b>8PCS</b>	



# STEP 4

E



20PCS

