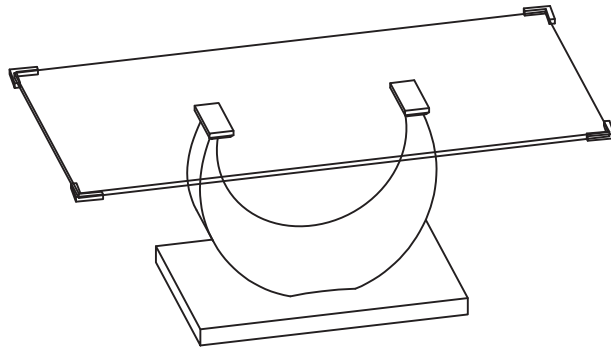


Assembly Instructions



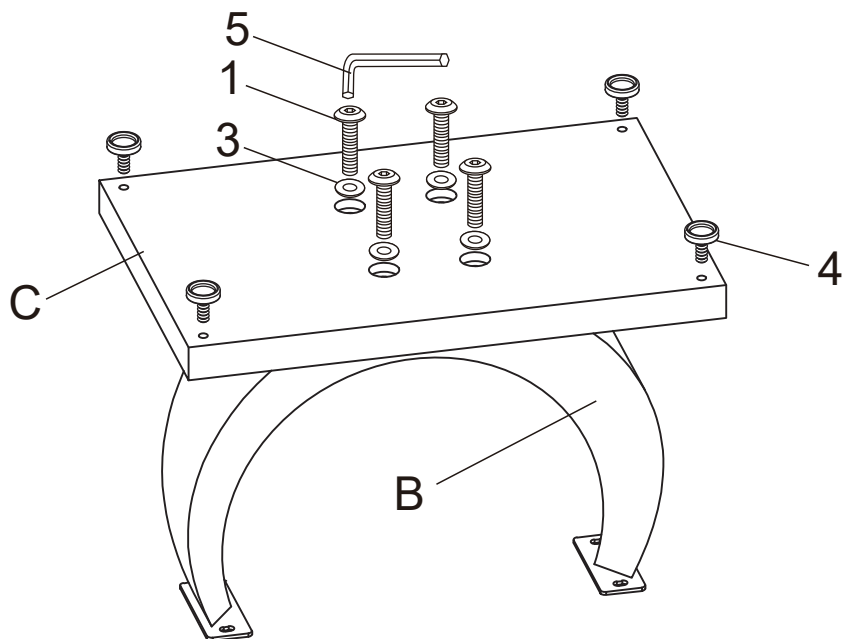
Please install the products on carpet or soft place.

Parts list

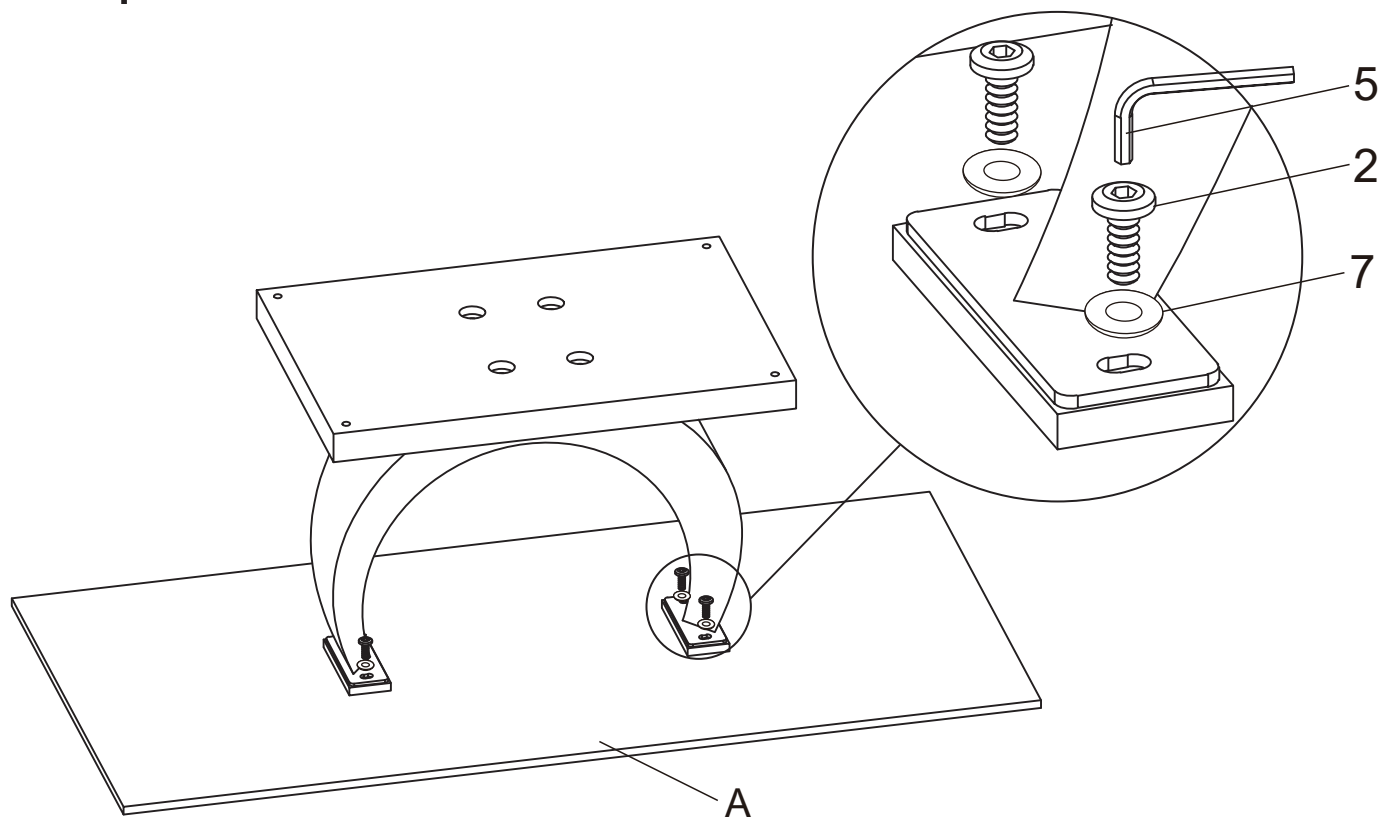
Hardware List

No.	Sketch	Description	Qty	No.	Sketch	Description	Qty
A		Top	1	1		Screw M8*50	4
				2		Screw M8*12	4
				3		Gasket M8*25	4
B		Leg	1	4		Adjustable foot	4
				5		Allen Key	1
C		Base	1	6		Plastic Protection Corner	4
				7		Gasket M8x18	4

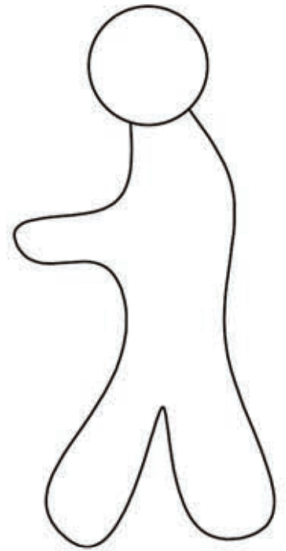
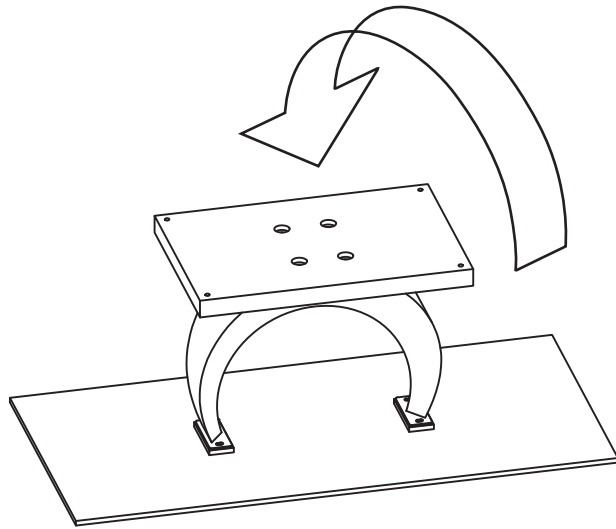
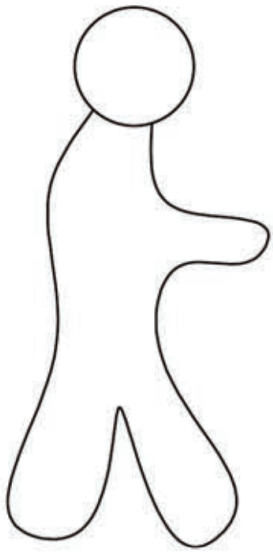
Step 1



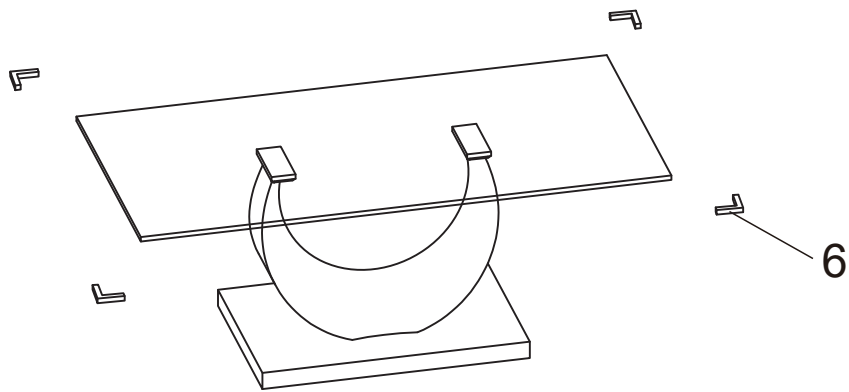
Step 2



Step 3



Step 4



Step 5

