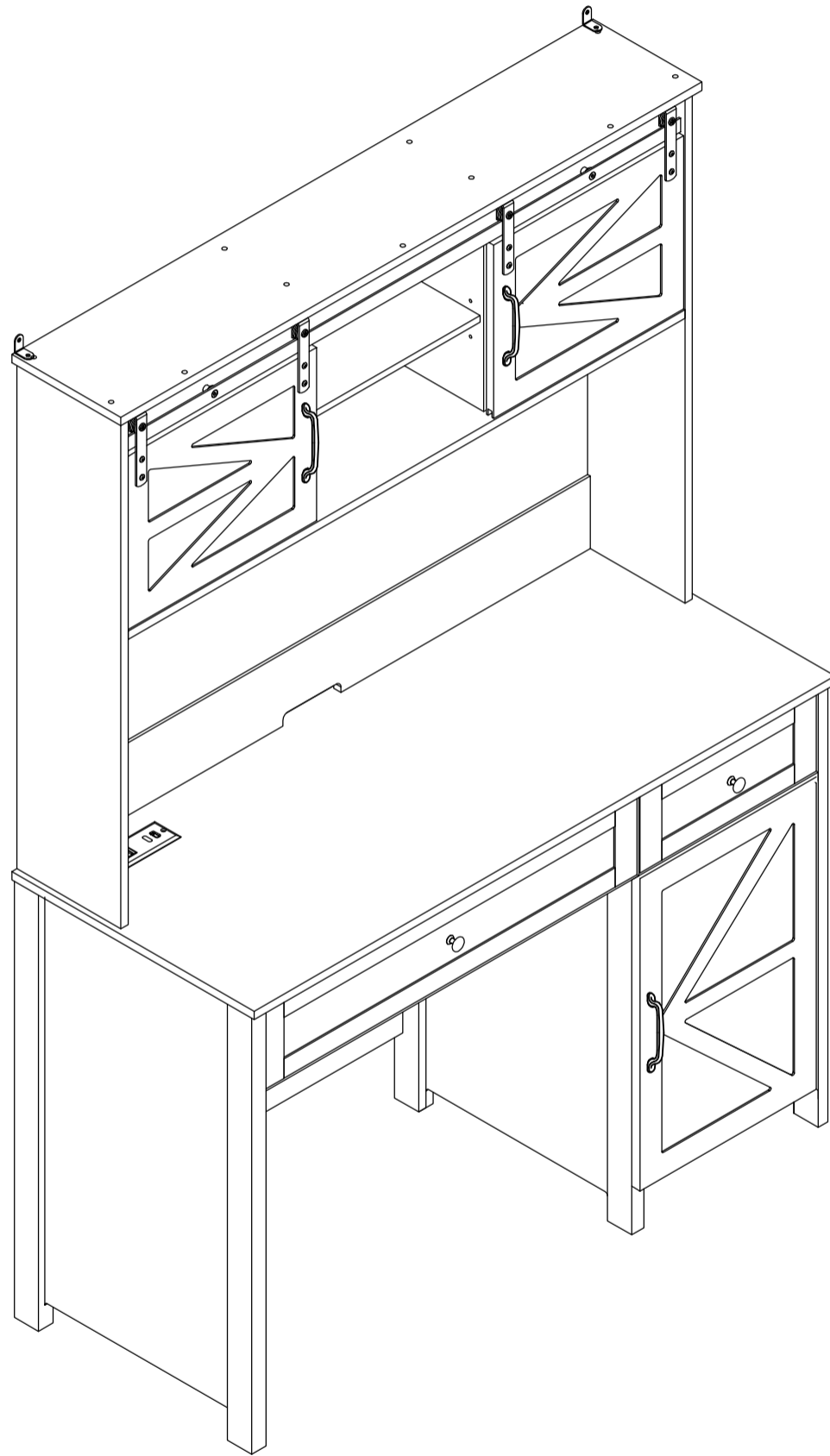


Side Cabinet

CBN050B77X06



General Guidelines

- Please read the following instruction carefully and use the product accordingly.
- Please keep this manual and hand it over when you transfer the product.
- This summary may not include every detail of all variations and considered steps. Please contact us when further information and help are needed.

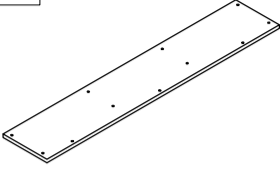
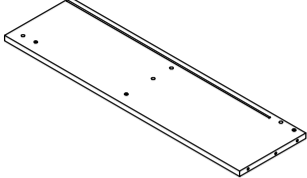
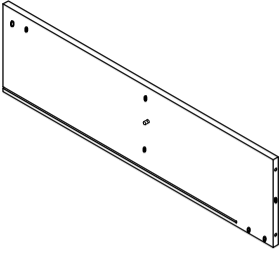
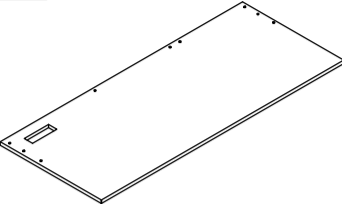
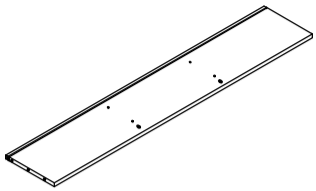
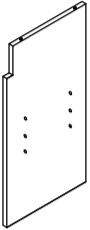
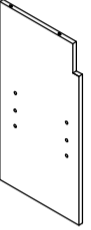
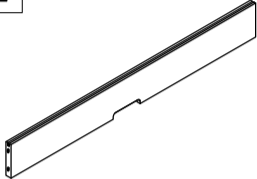
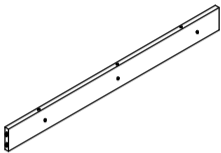
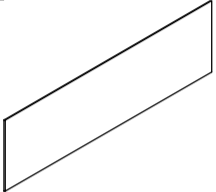
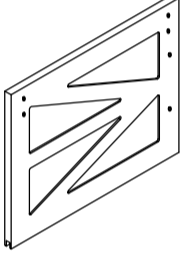
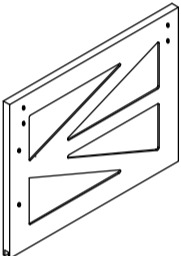
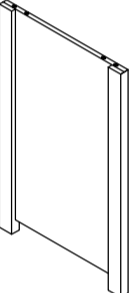
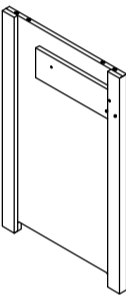

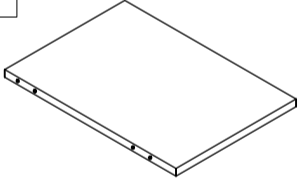

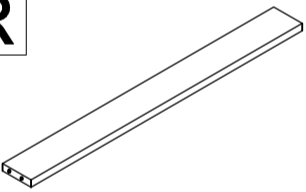
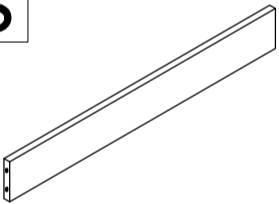
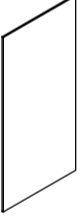
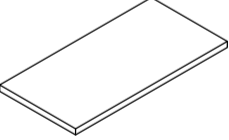
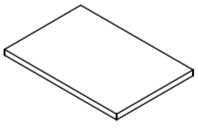
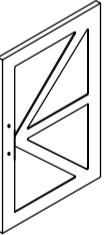
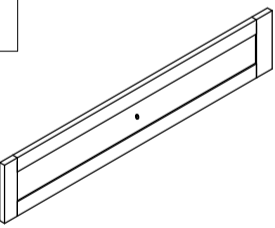
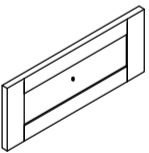
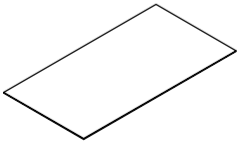
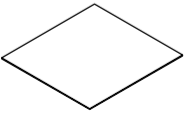
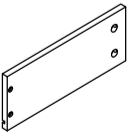
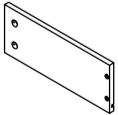
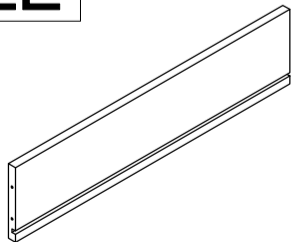
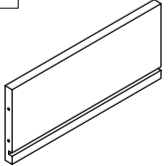
Notes

- The product is intended for indoor use only. The product must be assembled and used in accordance with the provisions of the manual. Personal injury and/or damage to product may occur if products are used outside of their intended purposes and/or if products have been changed/modified from their original design. The seller does not assume any responsibility or liability with respect to any injury/damage caused by incorrect assembly or improper use.
- Avoid long-term exposure to humid environments to prevent mildew.
- Keep the product away from fire sources and high temperatures. Do not expose the product to direct sunlight.
- Do not place any hot objects on the surface of the product.
- If there are any defective or missing parts after unpacking, please cease assembly immediately and contact us.
- Please assemble the item on a spacious surface and do not place the unwrapped product directly on the ground to avoid product damage.
- Please do not stand or sit on the wooden boards.
- Please wear gloves during the assembly and/or disassembly process to avoid scratches from any sharp edges.
- Please match the corresponding part and fitting based on the part number in the manual.
- If the part does not match with the fitting, please check the piece as specified in this manual.
- During assembly, first loosely align all screws with the corresponding pre-drilled holes and then tighten the screws one by one.
- Periodically inspect screw tightness while the product is in use. If necessary, retighten to ensure structural integrity.
- If you accidentally spill water or another liquid on the surface, immediately wipe clean with a dry towel.
- Please keep the product away from sharp, pointed objects and corrosive substances to prevent product damage.
- Please place this item on level, solid ground during use.


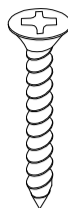
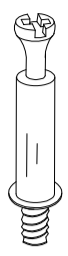

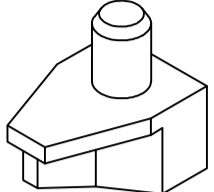
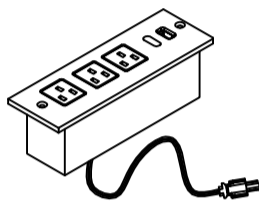


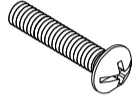
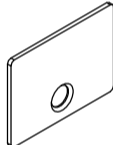


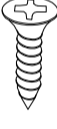
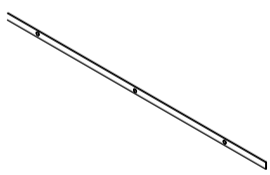

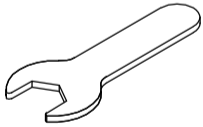
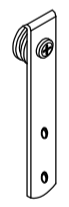
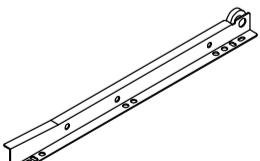
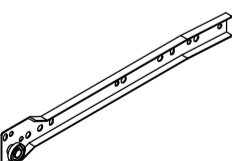
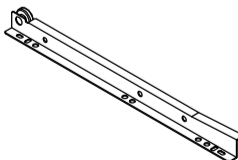
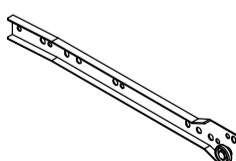
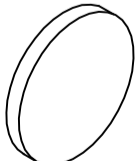
Warnings

- During assembly, keep all small parts out of the reach of children. It may be fatal if swallowed or inhaled.
- Children should not climb or play on the product in order to avoid tipping over the furniture and causing serious injury.
- To avoid the potential dangers of suffocation, please keep all parts and packaging (film, plastic bags, foam, etc.) away from babies and children.
- Keep sharp objects and corrosive items away from the product to avoid any damage or injury.
- Do not shake or move violently during use to avoid tipping over the product.

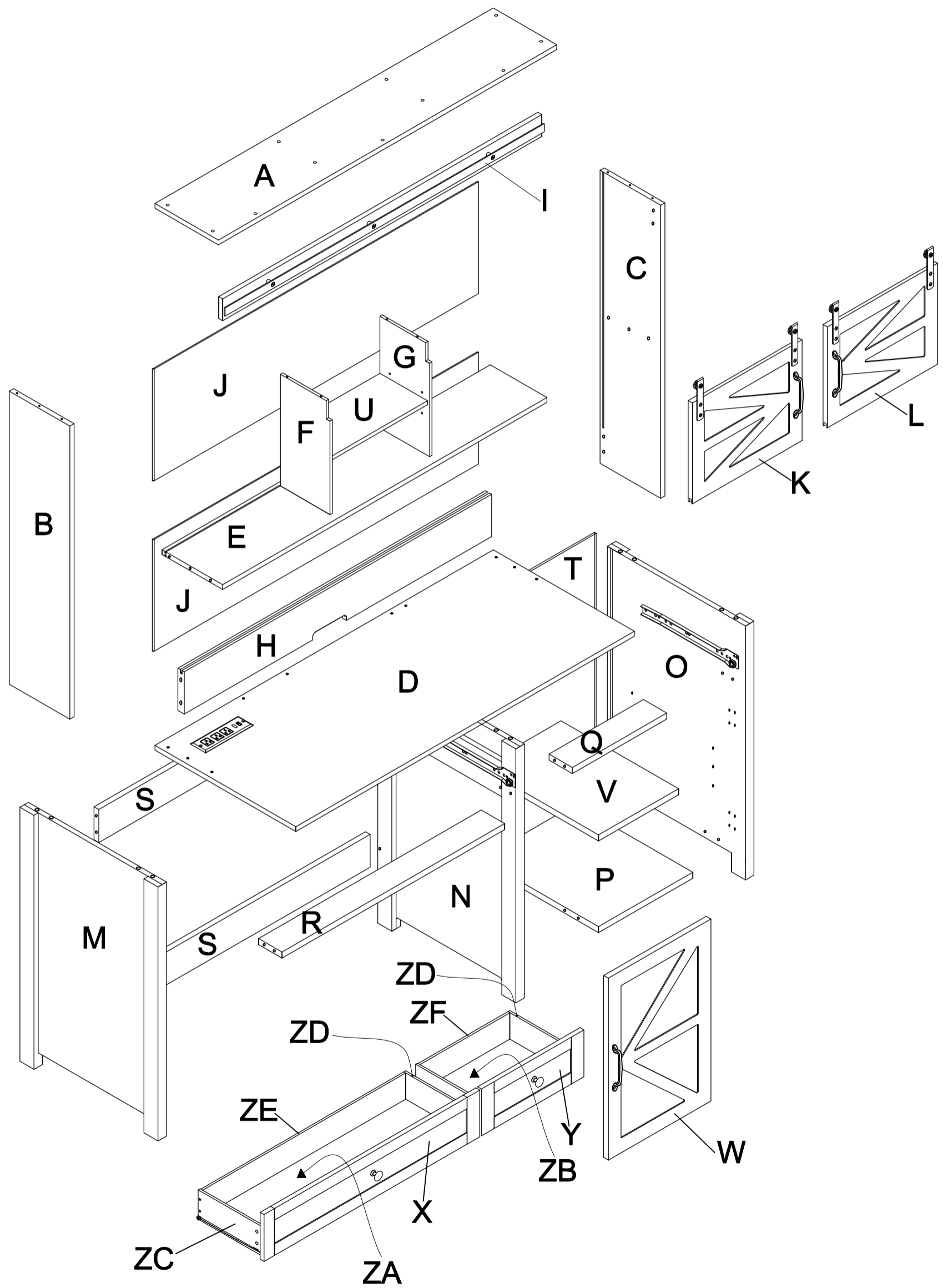
PART LIST

A 	B 	C 	D 	E 	
Upper Top Panel 1 PC	Upper Left Panel 1 PC	Upper Right Panel 1 PC	Lower Top Panel 1 PC	Fixed Shelf Panel 1 PC	
F 	G 	H 	I 	J 	
Upper Partition Panel-L 1 PC	Upper Partition Panel-R 1 PC	Lower Back rail 1 PC	Upper Front Rail 1 PC	Upper Back Panel 2 PCS	
K 	L 	M 	N 	O 	
Upper Left Door 1 PC	Upper Right Door 1 PC	Lower Left Panel 1 PC	Lower Partition Panel 1 PC	Lower Right Panel 1 PC	
P 	Q 	R 	S 	T 	
Lower Bottom Panel 1 PC	Lower Center Rail-R 1 PC	Lower Center Rail-L 1 PC	Lower Back Rail 2 PCS	Lower Back Panel 1 PC	
U 	V 	W 	X 	Y 	
Upper Adjustable Shelf 1 PC	Lower Adjustable Shelf 1 PC	Lower Door 1 PC	Drawer Front Panel-L 1 PC	Drawer Front Panel-R 1 PC	
ZA 	ZB 	ZC 	ZD 	ZE 	ZF 
Drawer Bottom Panel-L 1 PC	Drawer Bottom Panel-R 1 PC	Drawer Left Panel 2 PCS	Drawer Right Panel 2 PCS	Drawer Back Panel-L 1 PC	Drawer Back Panel-R 1 PC

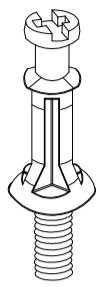
HARDWARE LIST

#1		#2		#3		#4		#5		#6			
Ø7*38mm		Ø6*30mm		Ø3*30mm		Ø6*35mm		Ø15*9mm		16*11*Ø5mm			
Screw		Wood Dowel		Screw		Cam-bolt		Cam-lock		Shelf Holder			
21 PCS (Extra 2)		20PCS (Extra 2)		8PCS (Extra 1)		48PCS (Extra 4)		48PCS(Extra 4)		8 PCS(Extra 2)			
#7		#8		#9		#10		#11		#12			
185*52*56mm		M5*18mm		14*14mm		Ø27*23mm		131*23*21mm		M4*22mm			
Outlet		Round Screw		Back Bracket		Silver Knob		Handle		Round Head Bolt			
1 PC		2 PCS(Extra 1)		12 PCS		2 PCS		3 PCS		8 PCS(Extra 2)			
#13		#14		#15		#16		#17		#18		#19	
45*17*12mm		30*22*1mm		Ø35mm		Ø3.5*15mm		Ø3.5*15mm		Ø3*12mm			
Single Door Magnet		Door Small Plate		Hinge		Screw(Black)		Screw		Screw		Safety Strap Kit	
1 PC		1 PC		2 PCS		2 PCS		28PCS(Extra 3)		21PCS(Extra 4)		1 SET	
#20		#21		#22		#23		#24		#25		#26	
1150*25*3mm		4mm										125*25*18mm	
Iron Bar		Allen Wrench		Door Placeholder		Long Bolt		Hex Nut		Wrench		Door Hanger	
1 PC		1 PC		3 PCS		3 PCS		3 PCS		1 PC		4 PCS	
#27		#28		#29		#30		#31		#32			
Ø3.5*16mm		12"		12"		12"		12"		Ø10*2mm			
Screw		Left Drawer Slide Set (A)		Left Drawer Slide Set (B)		Right Drawer Slide Set (A)		Right Drawer Slide Set (B)		BUNPER		Phillips Screwdriver	
8 PCS		2 PCS		2 PCS		2 PCS		2 PCS		4 PCS		1 PC	

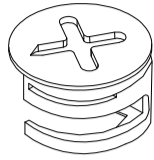
ASSEMBLY OVERVIEW



Instructions For Fastening CAM-BOLT and CAM-LOCK

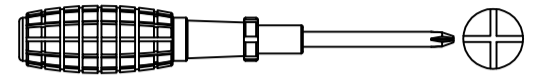


CAM-BOLT

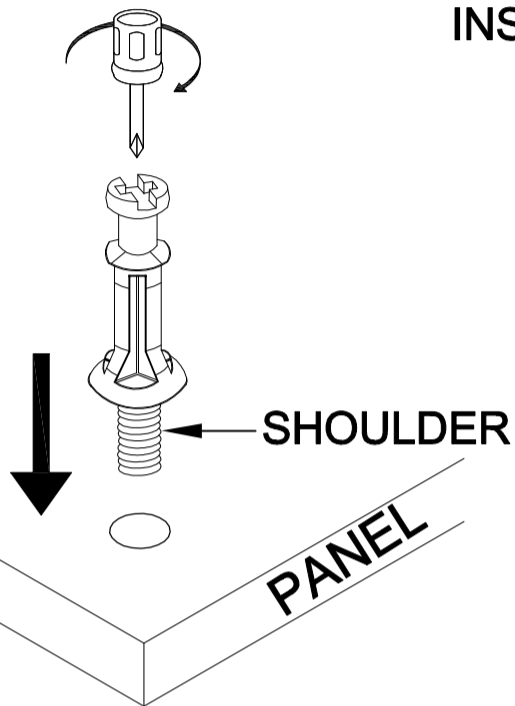


CAM-LOCK

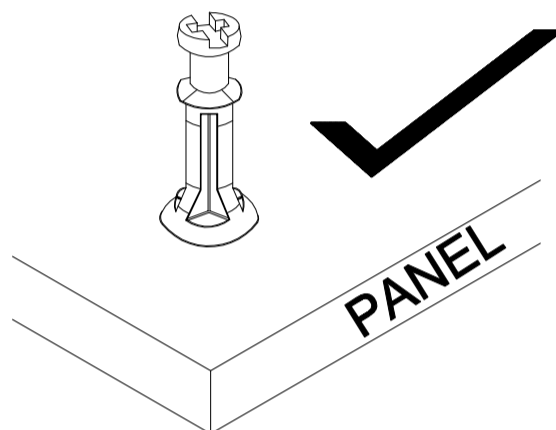
Tools Required



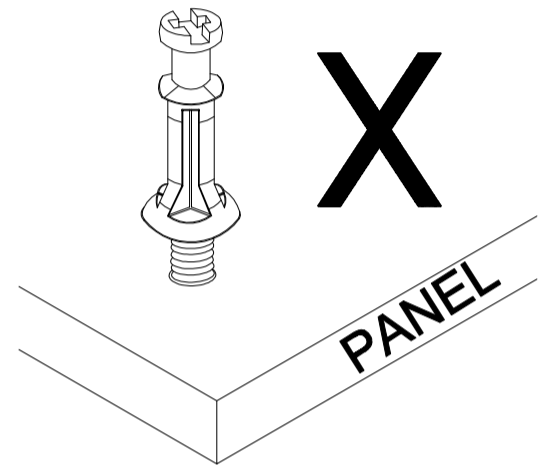
INSERTING AND TIGHTENING CAM-BOLT



Place Cam-bolt on pre-drilled hole and screw in vertically



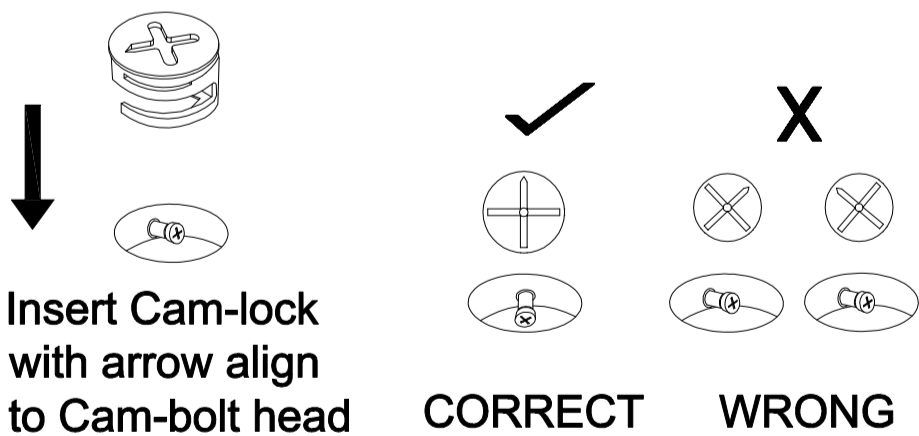
Shoulder is flushed (on the same level) with the panel.



Shoulder is above the panel.

Place Cam-bolt on the designated pre-drilled holes on the panel. Use a Phillips Screwdriver to screw-in Cam-bolt vertically until shoulder is flushed (on the same level) with panel.

INSERTING CAM-LOCK

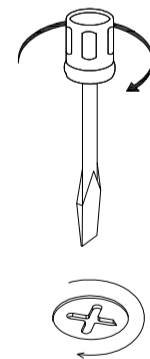


Insert Cam-lock with arrow align to Cam-bolt head

CORRECT

WRONG

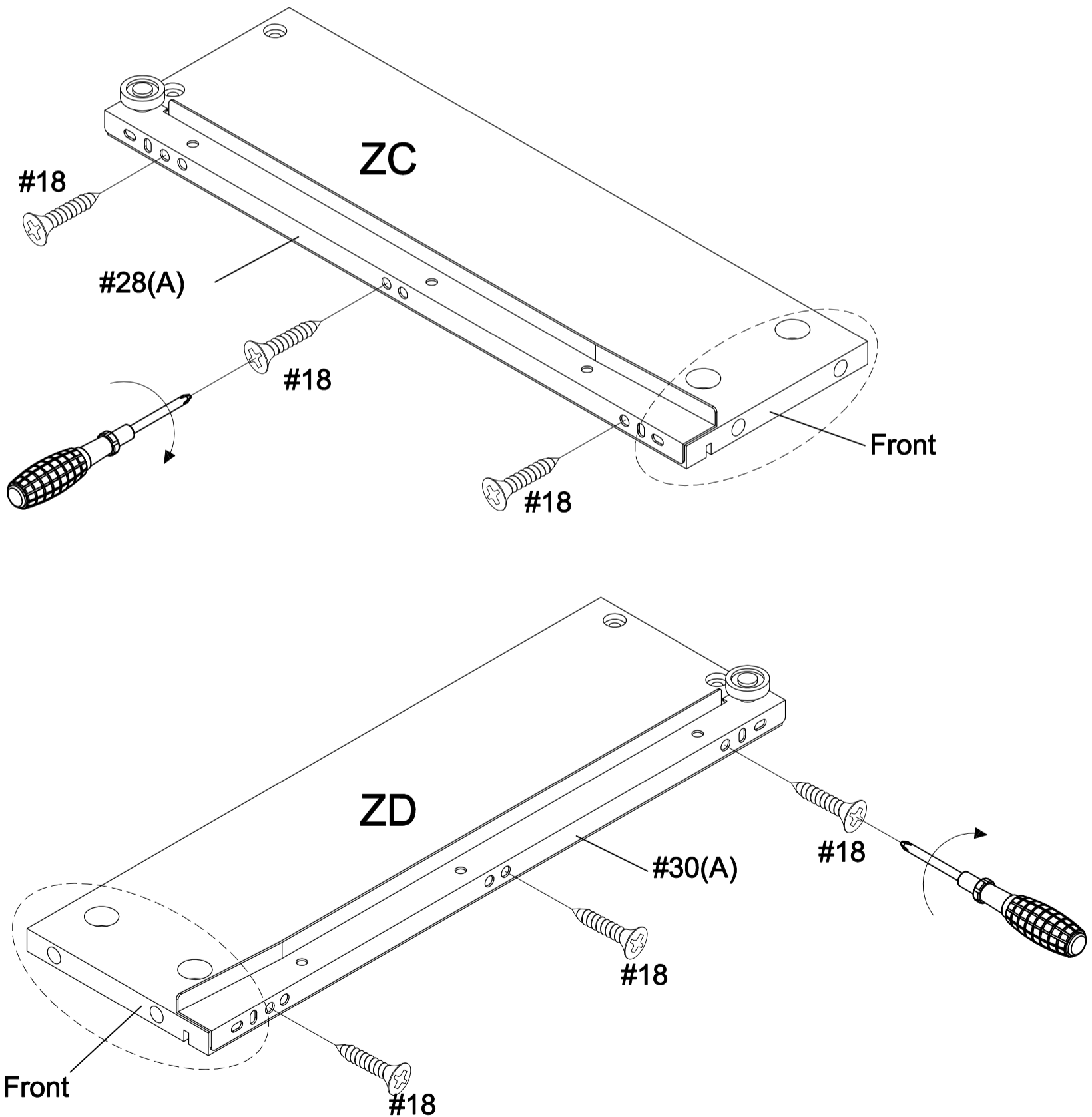
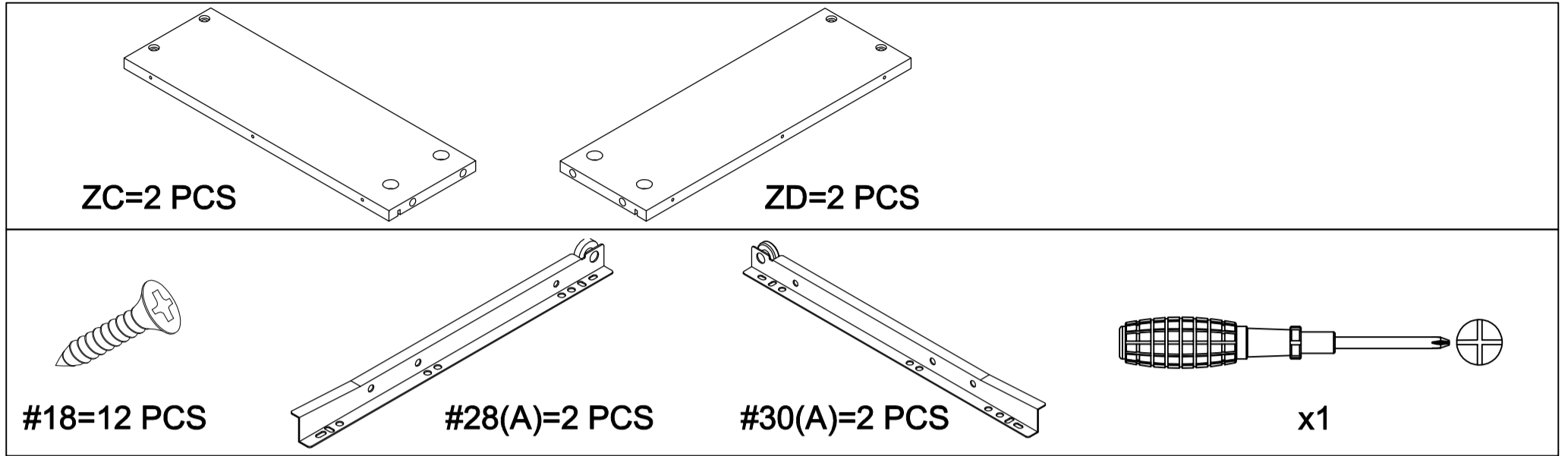
TIGHTENING CAM-LOCK



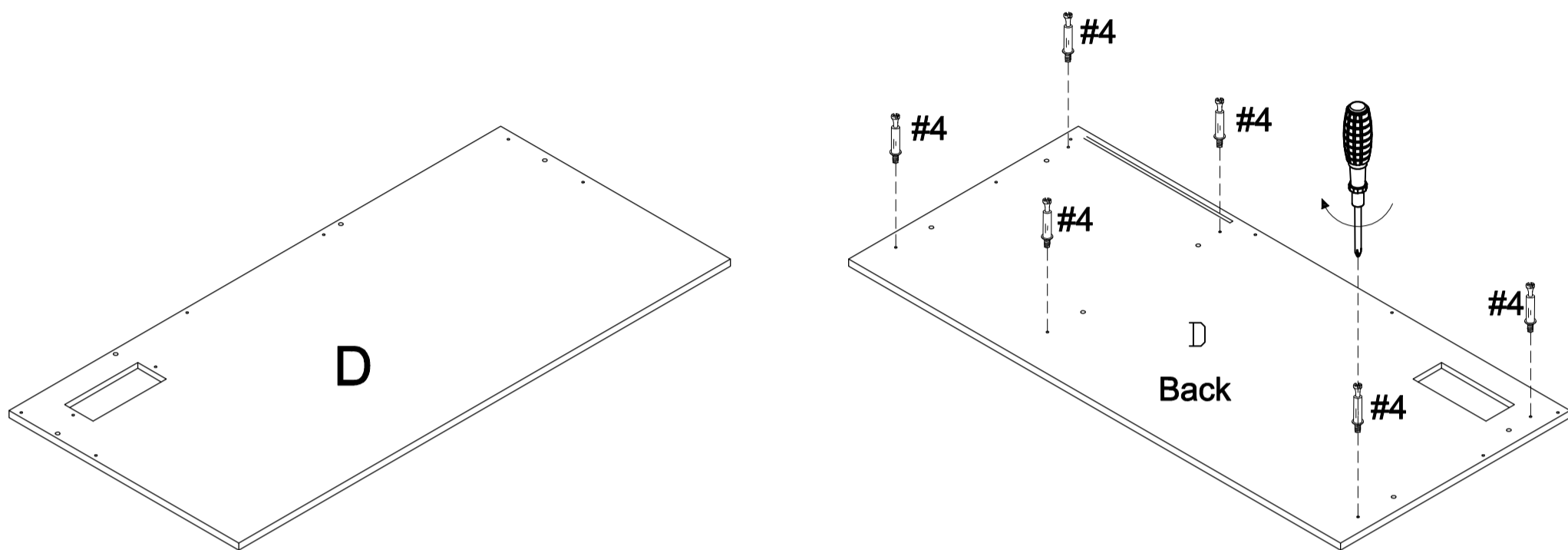
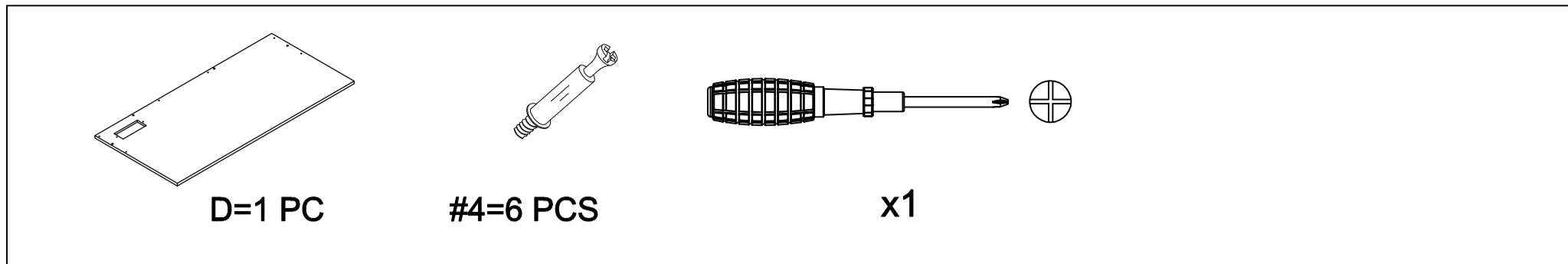
Align the arrow on the Cam-lock to the Cam-bolt head and insert the Cam-lock. Ensure Cam-lock is fully inserted.

Use a Flat-head Screwdriver to turn Camlock clockwise so it locks onto the head of the Cam-bolt. Turn until it is snug (about 3/4ths of a turn) -- over-tightening could damage Cam-lock or/and Cam-bolt.

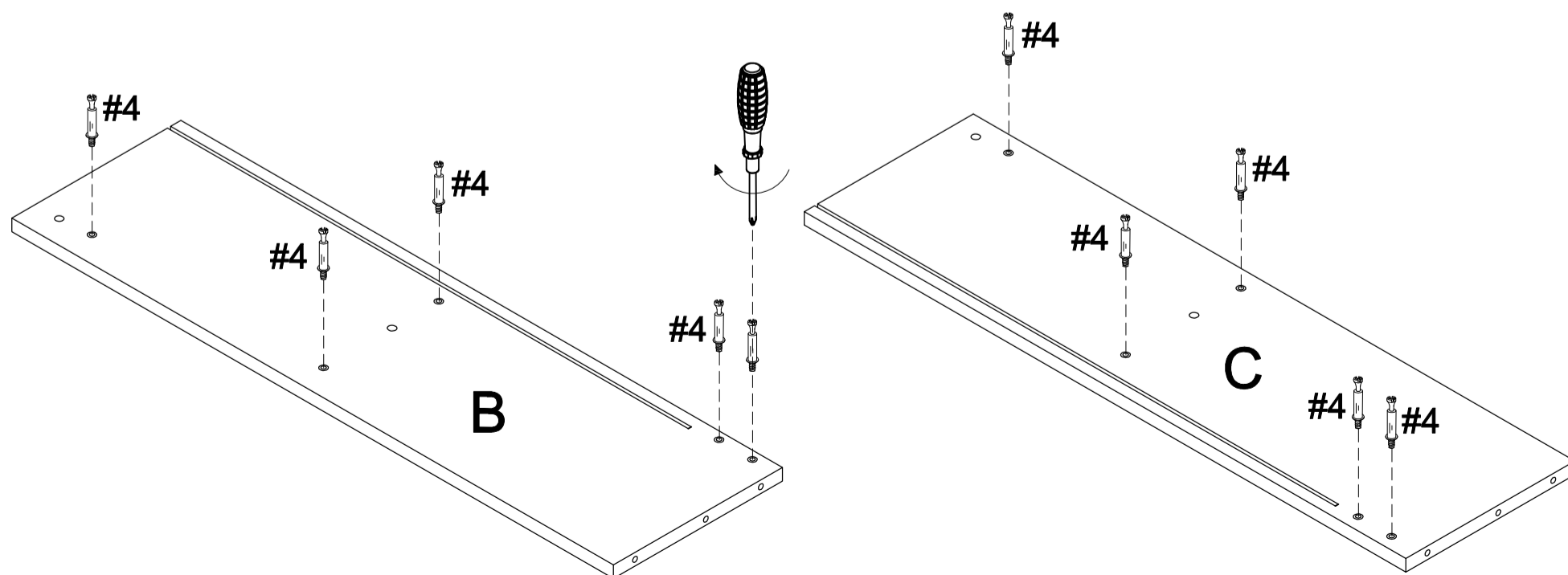
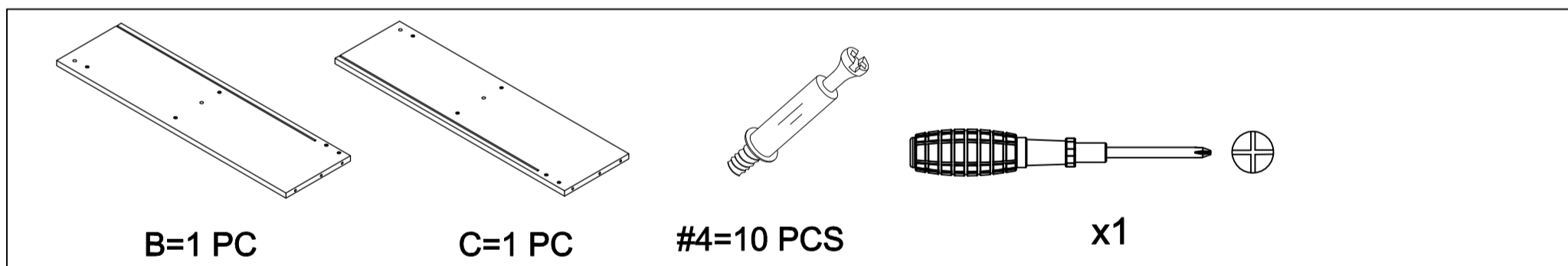
Step 1.



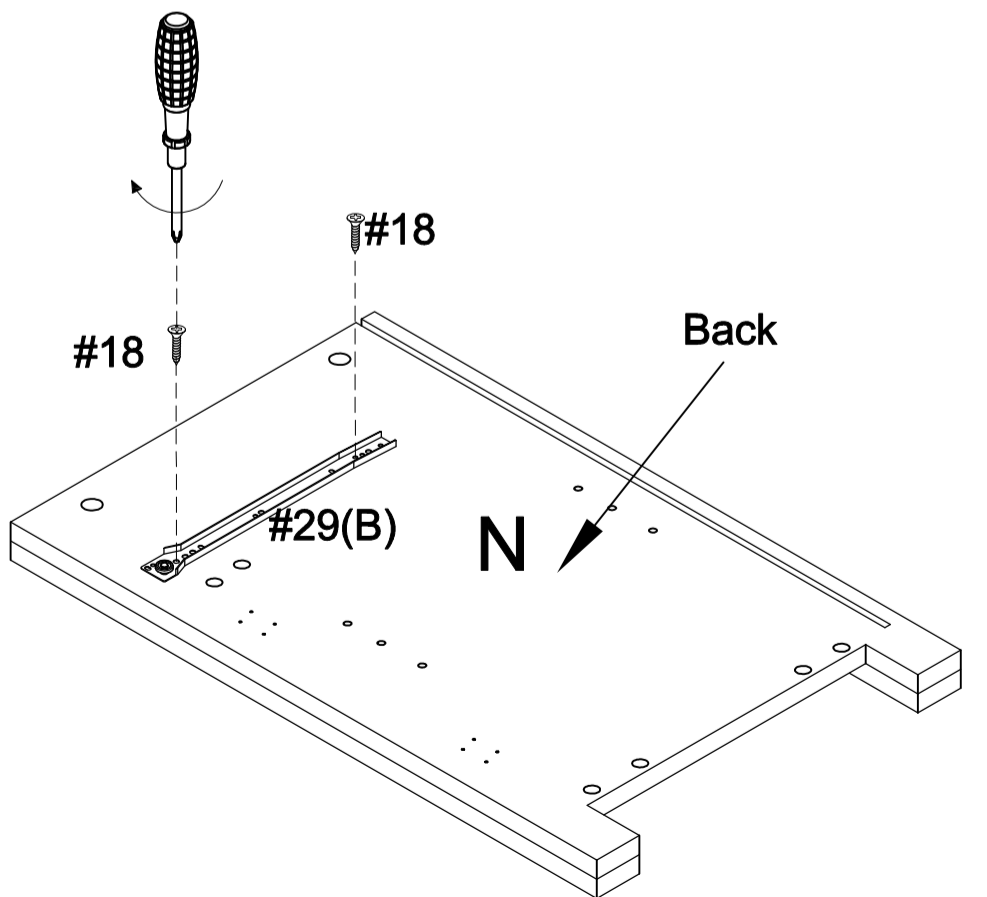
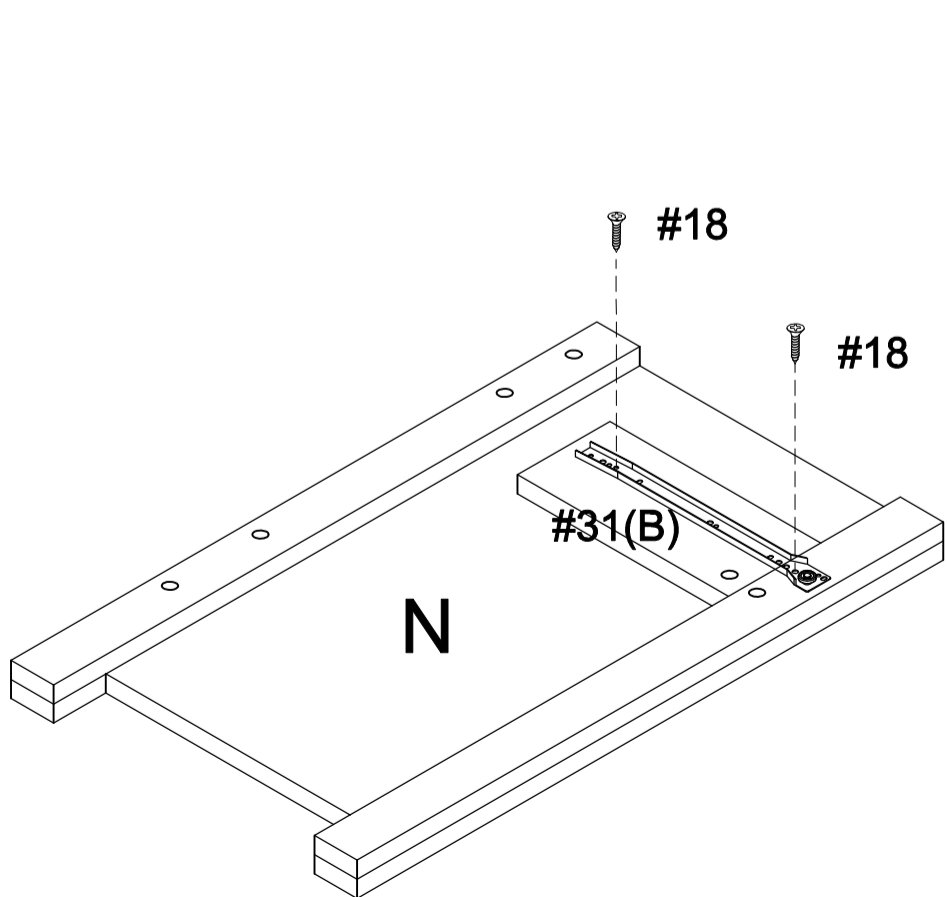
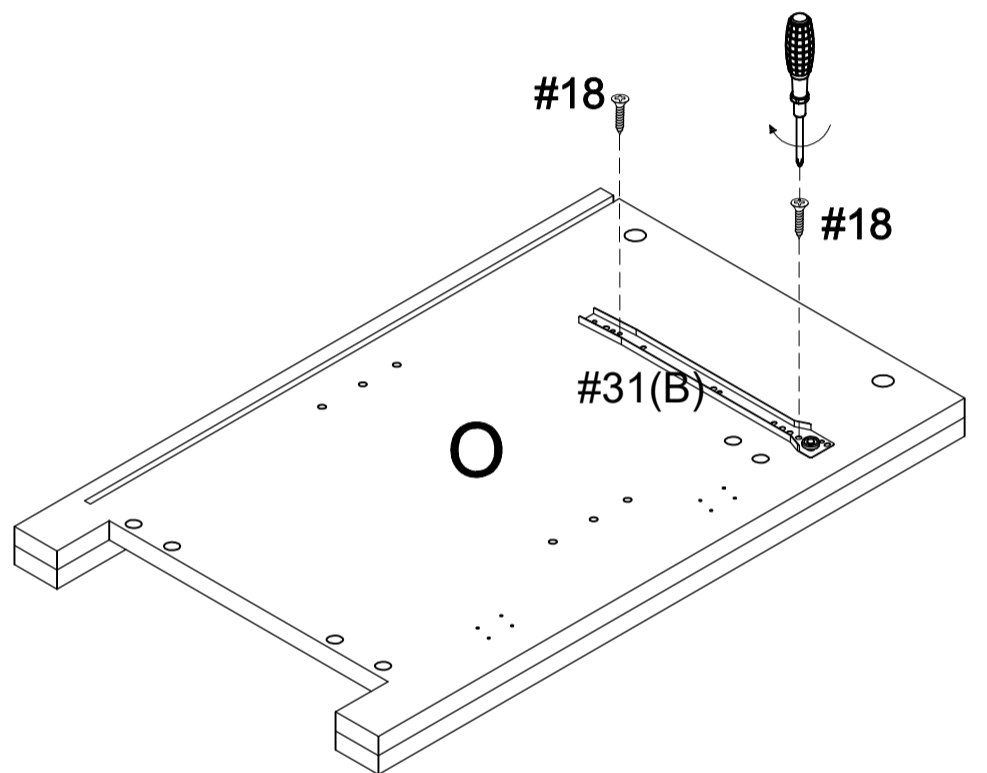
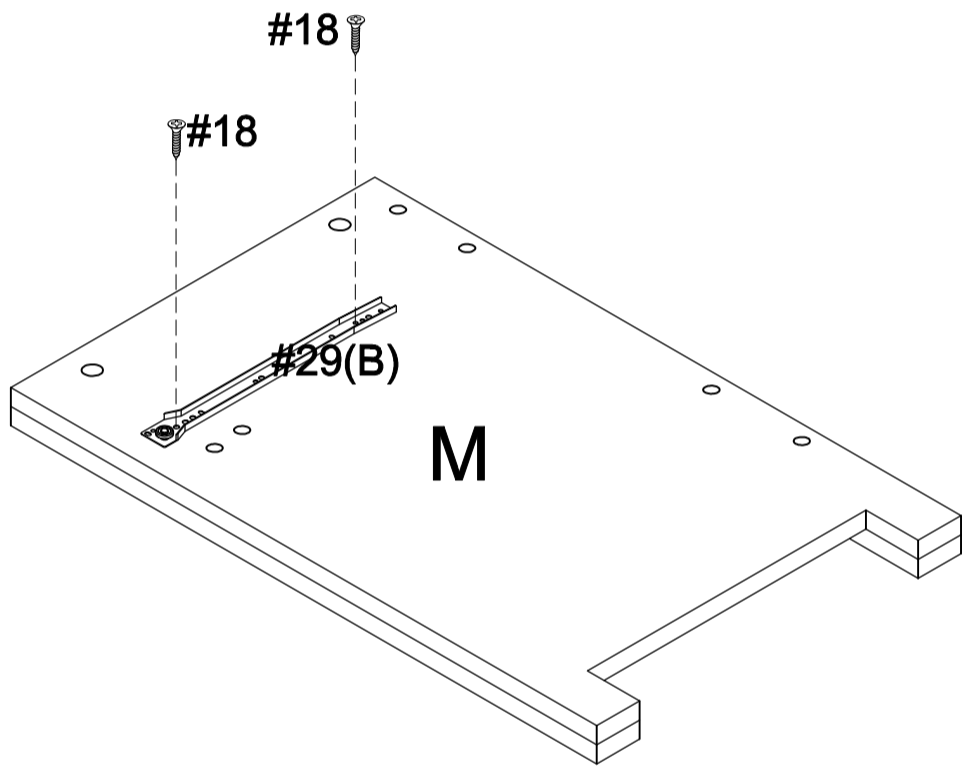
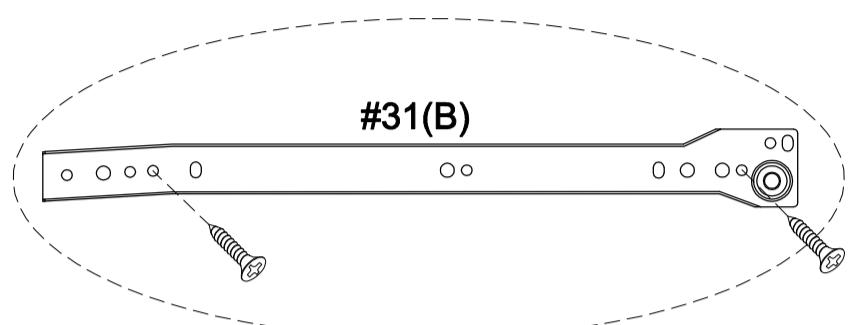
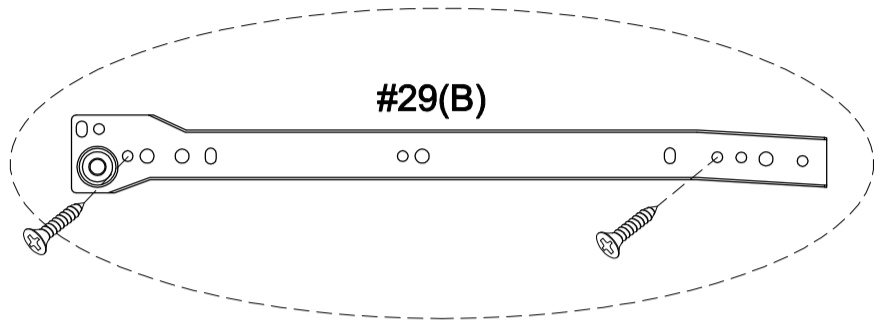
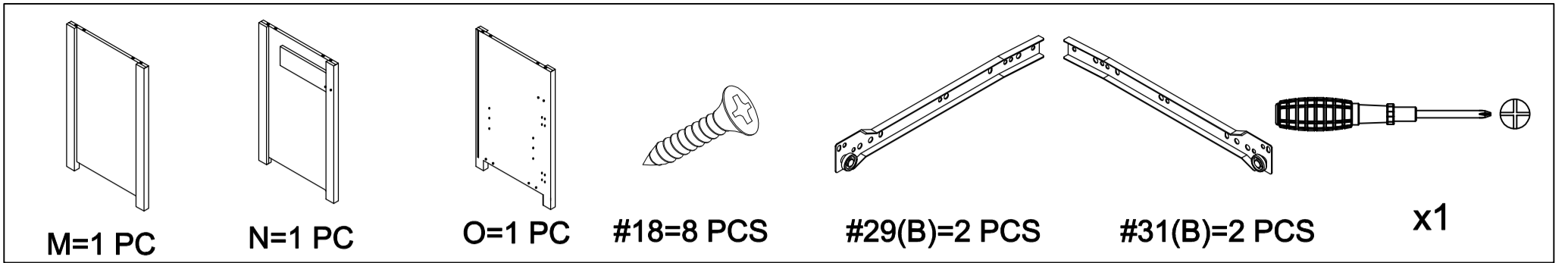
Step 2.



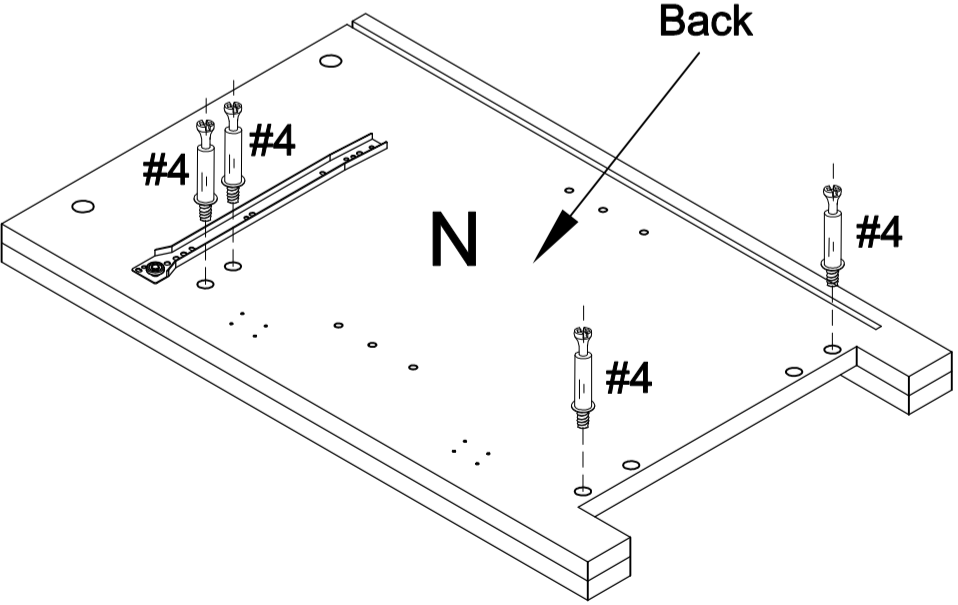
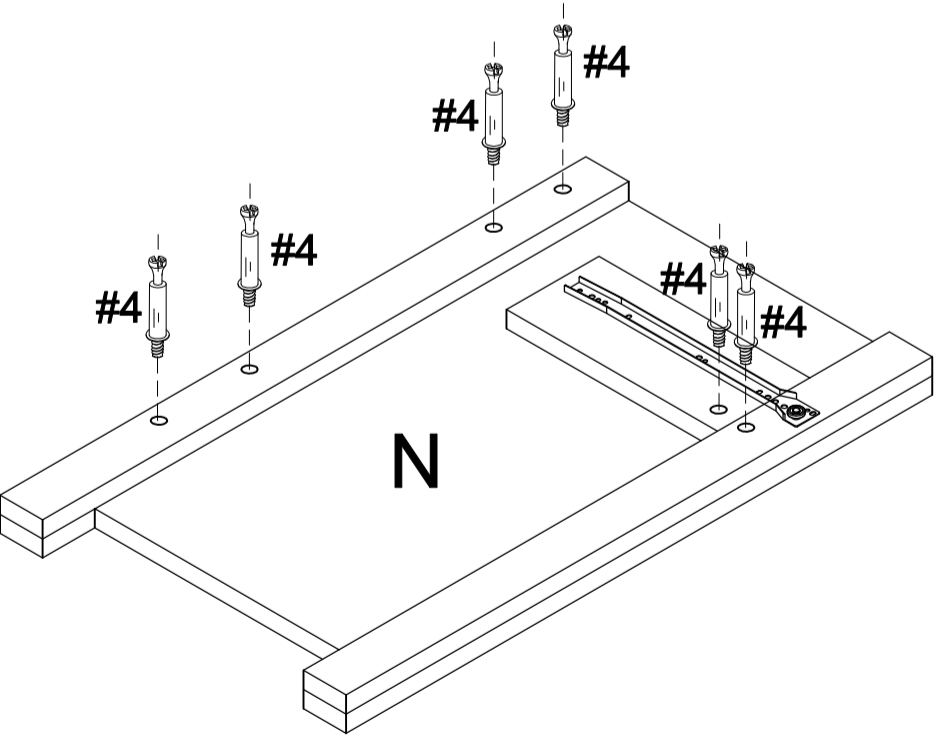
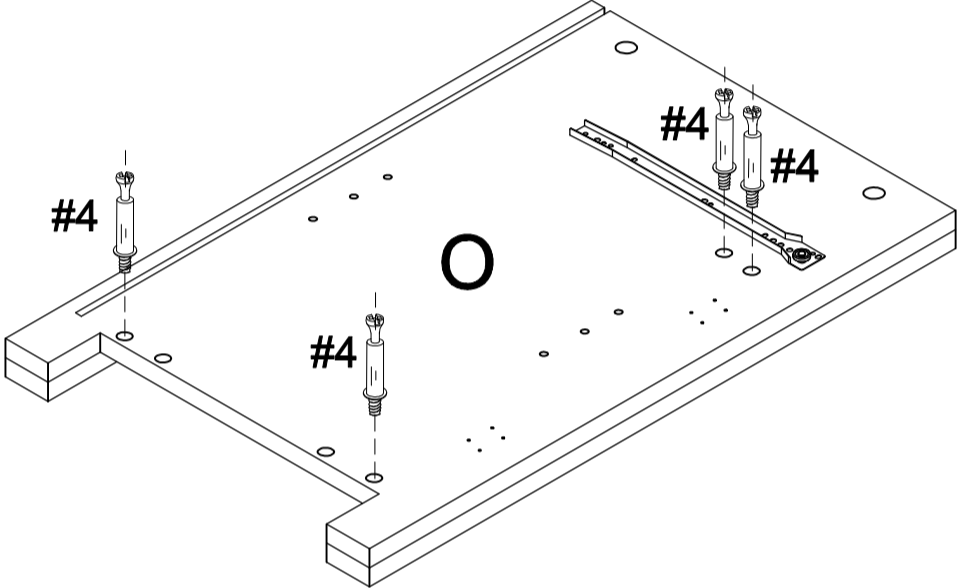
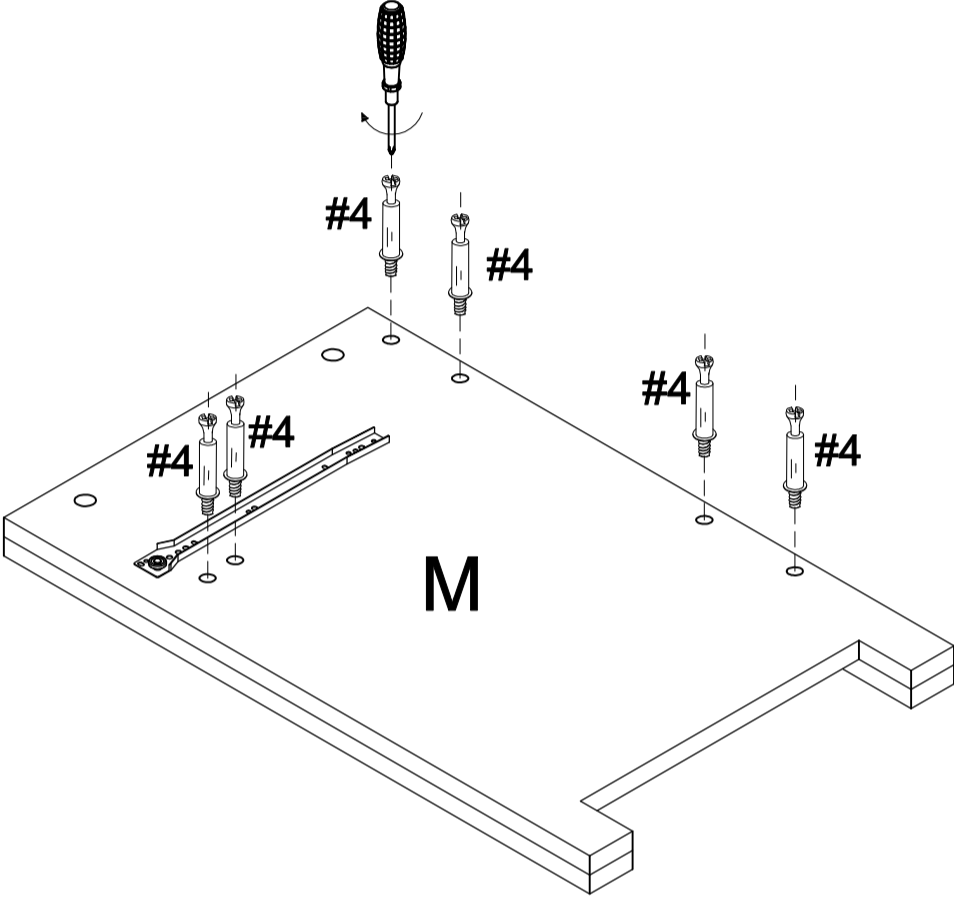
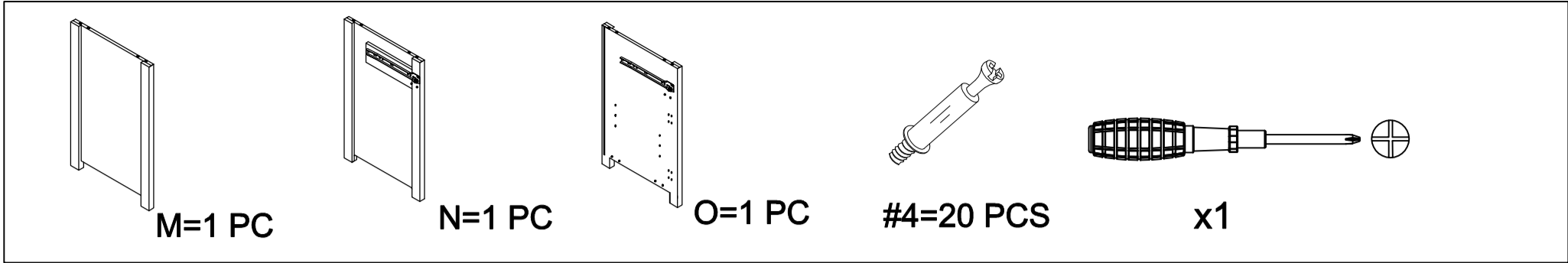
Step 3.



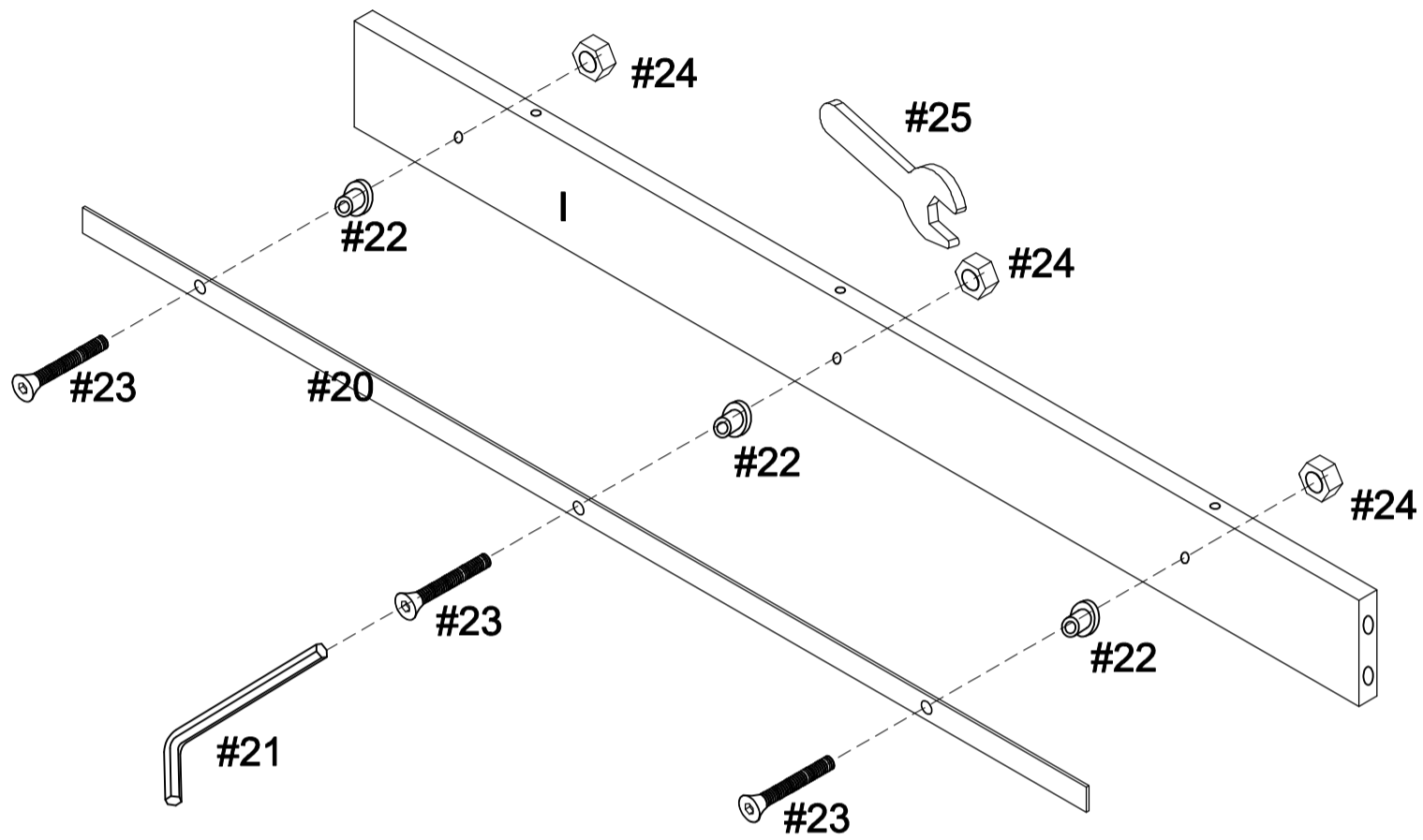
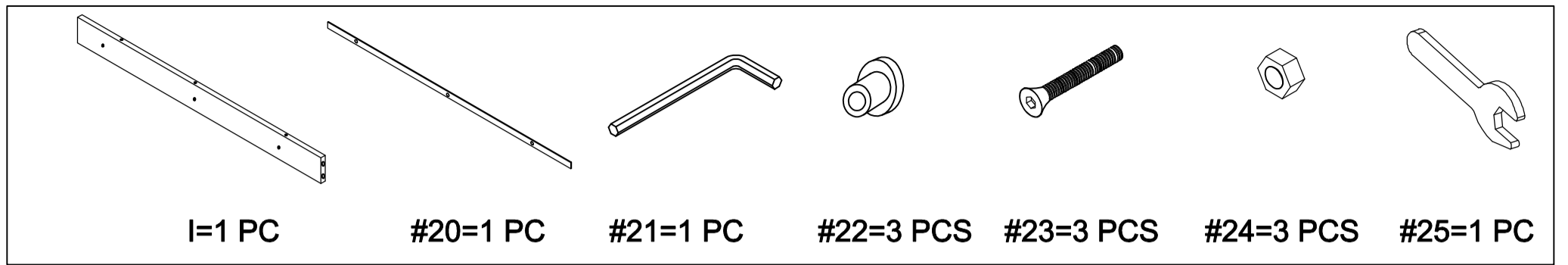
Step 4.



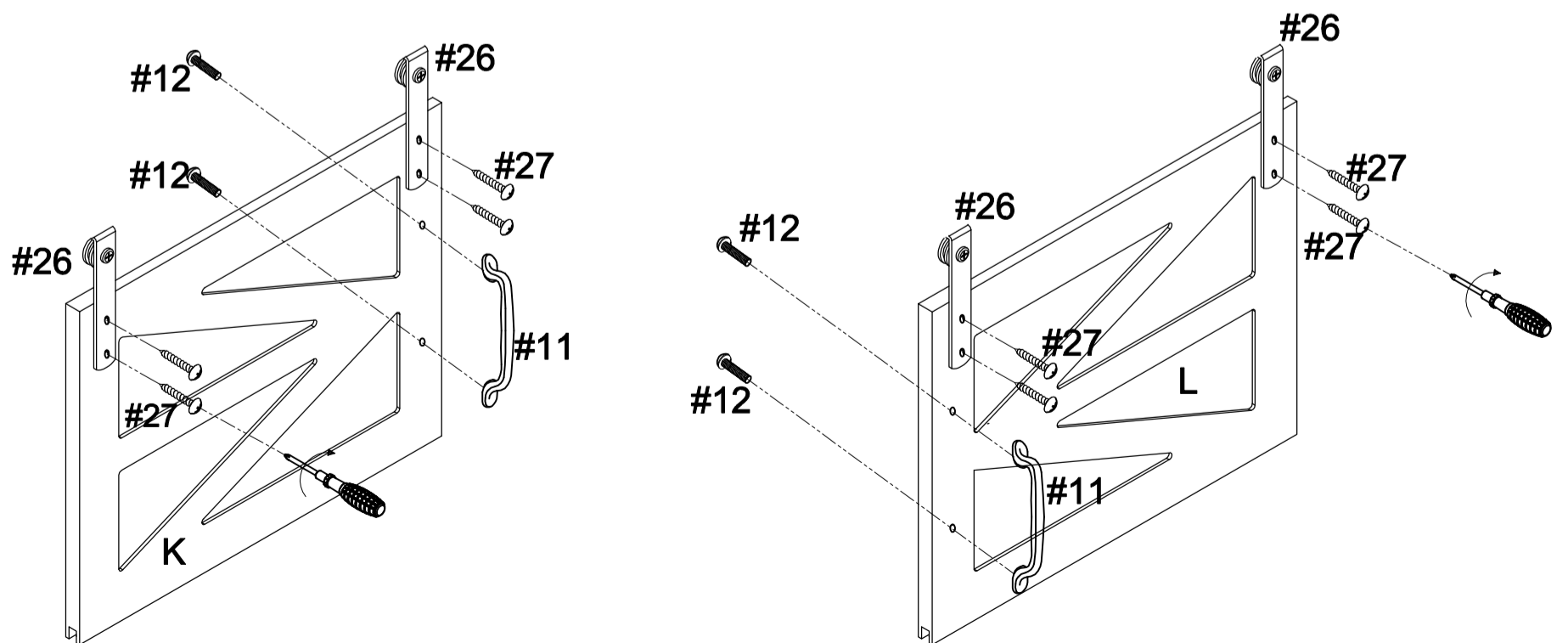
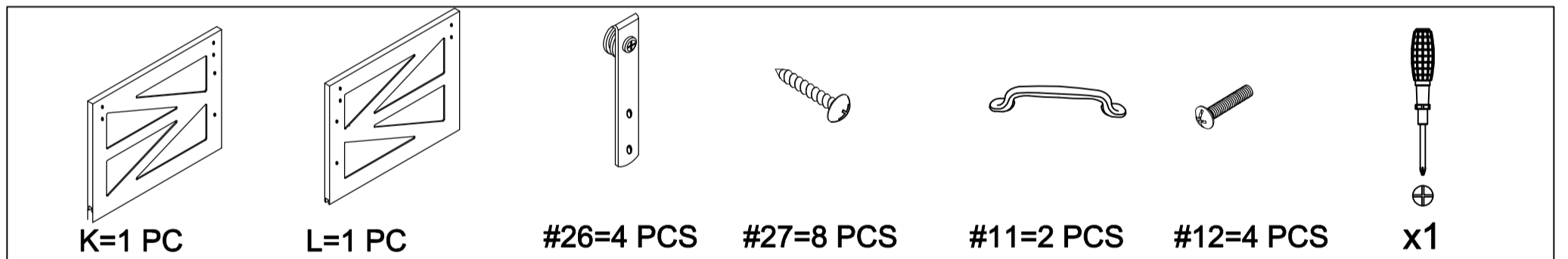
Step 5.



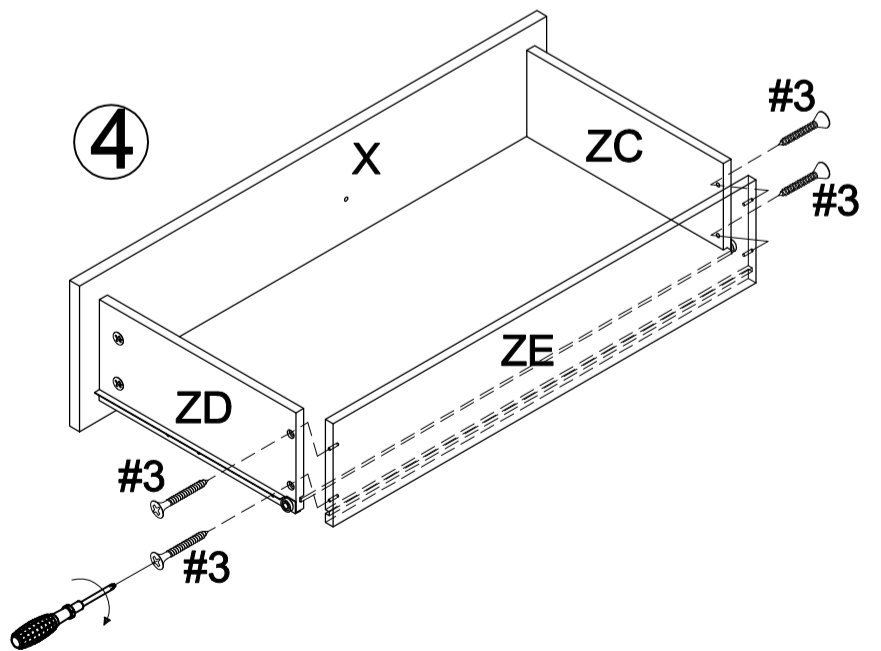
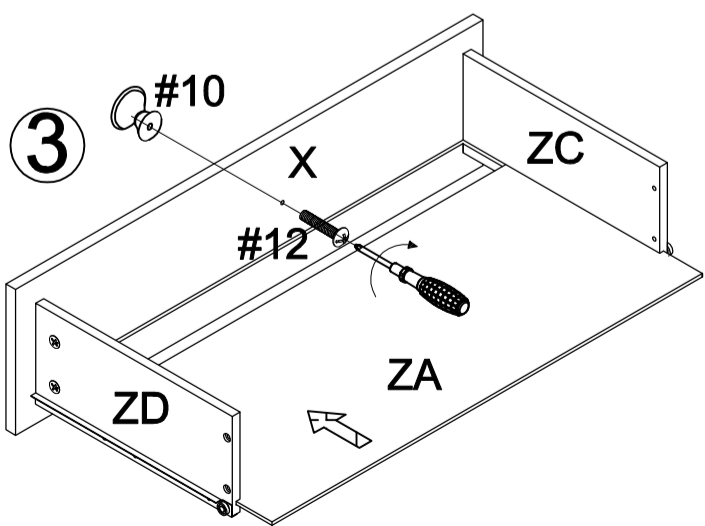
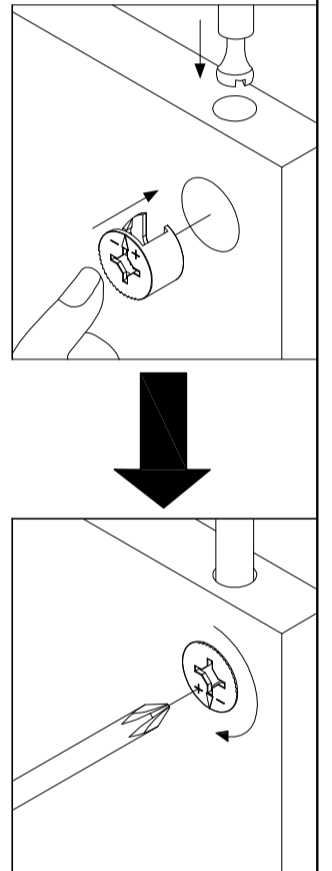
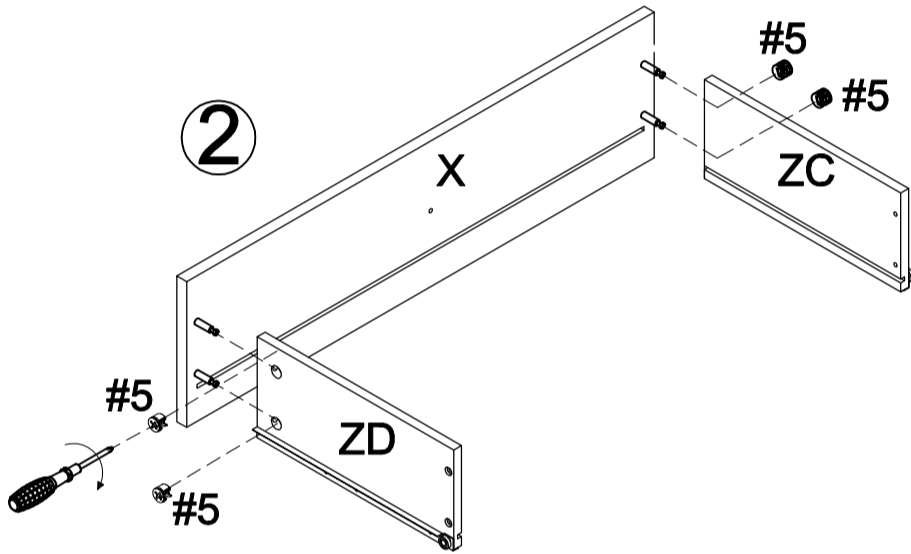
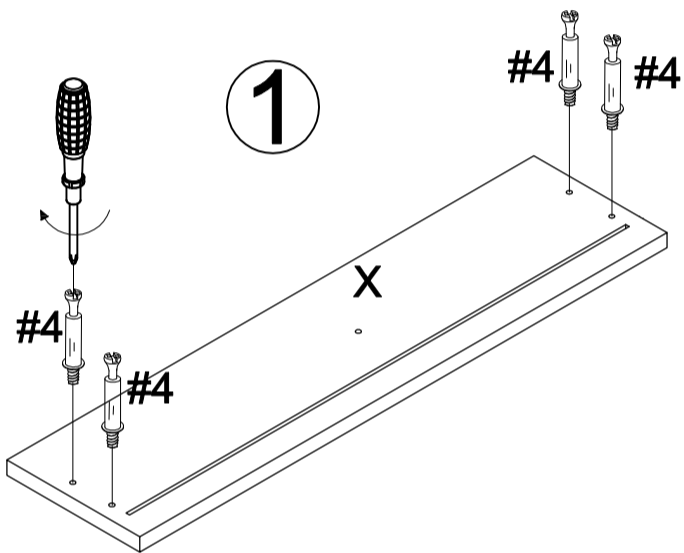
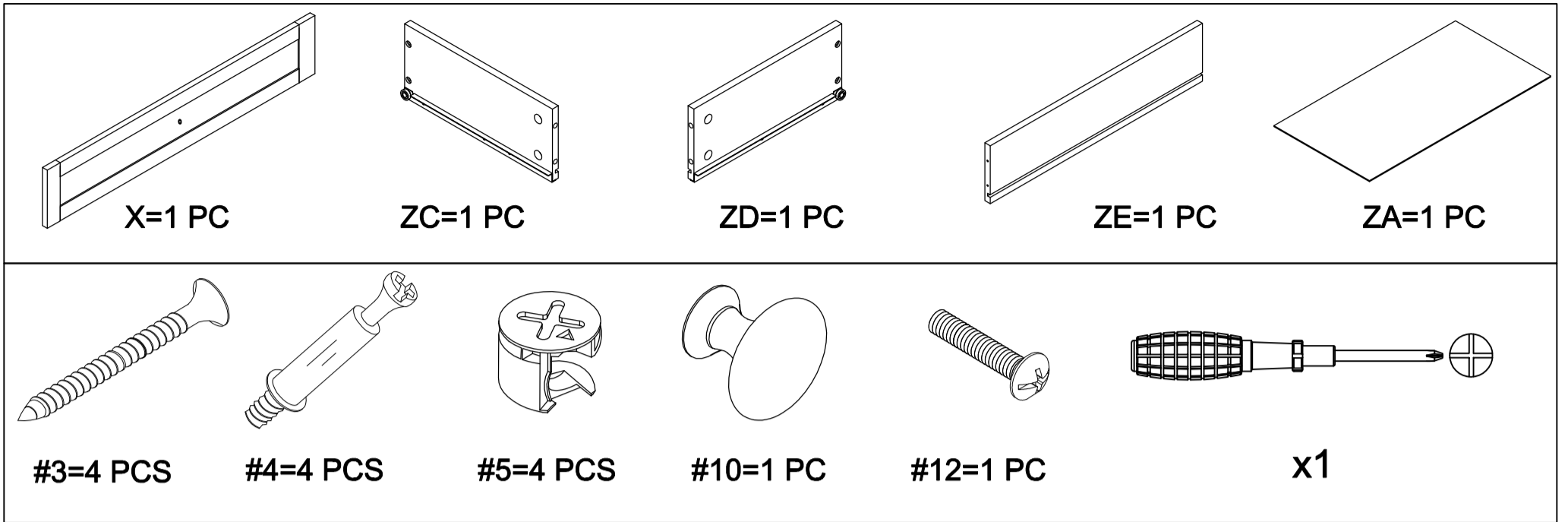
Step 6.



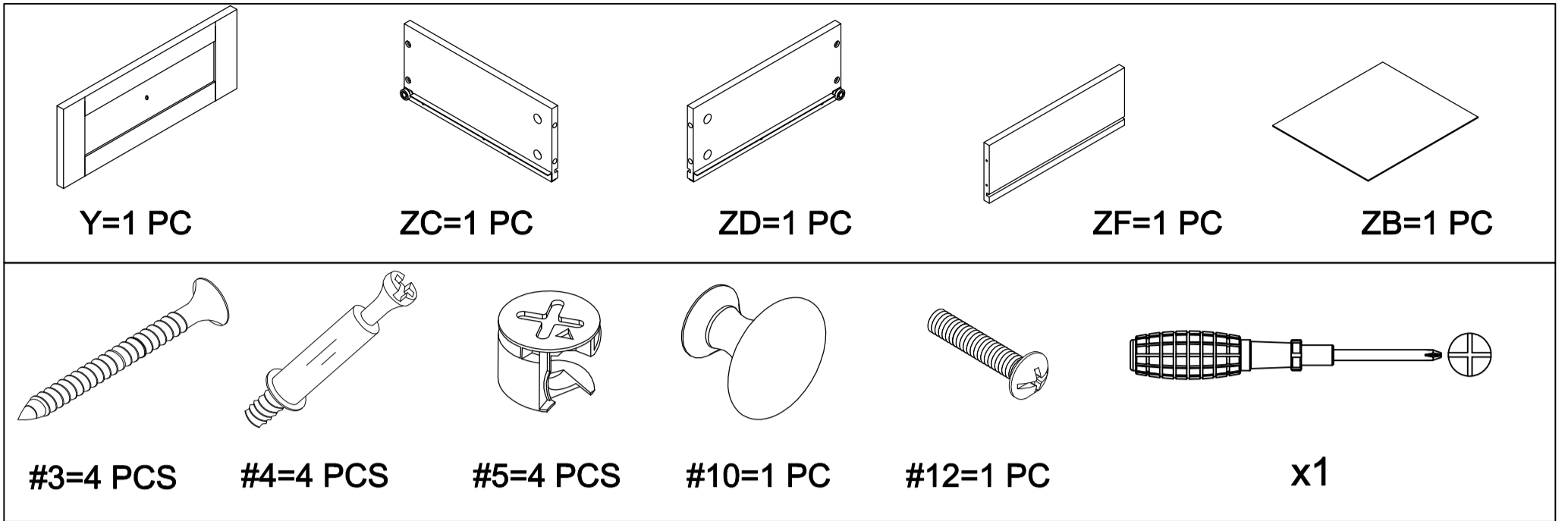
Step 7.



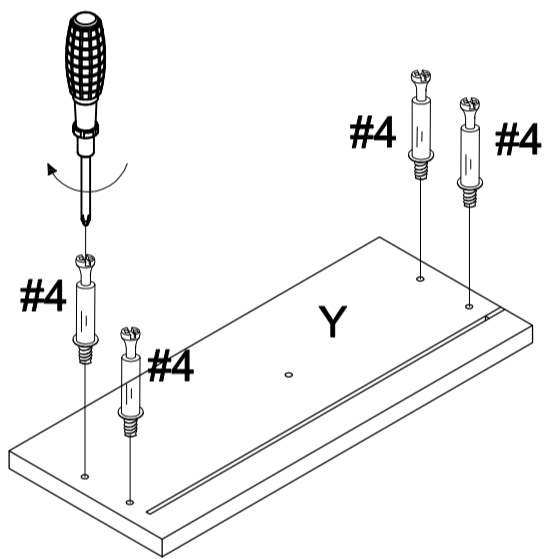
Step 8.



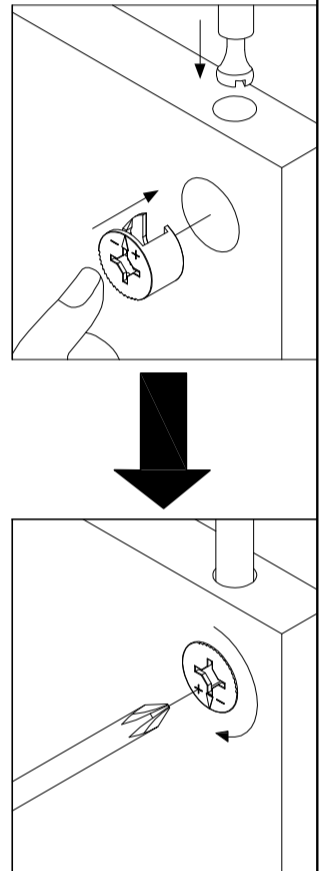
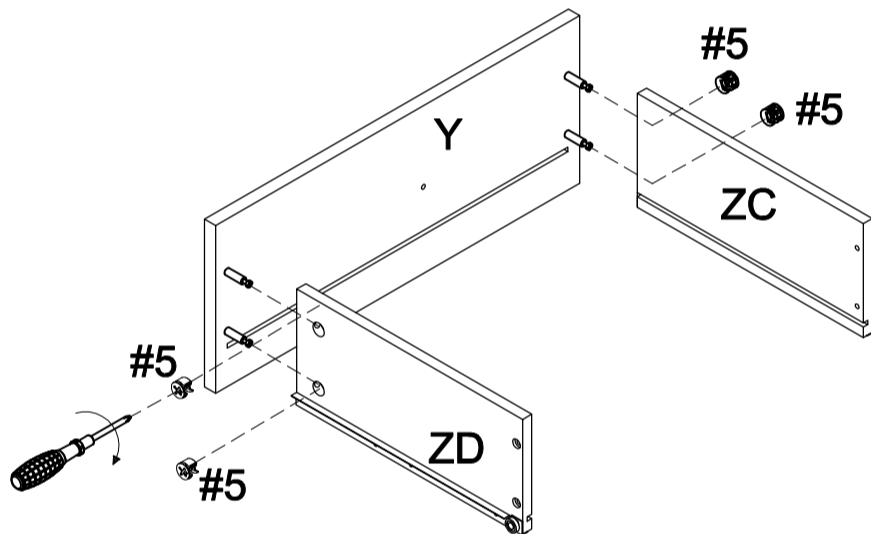
Step 9.



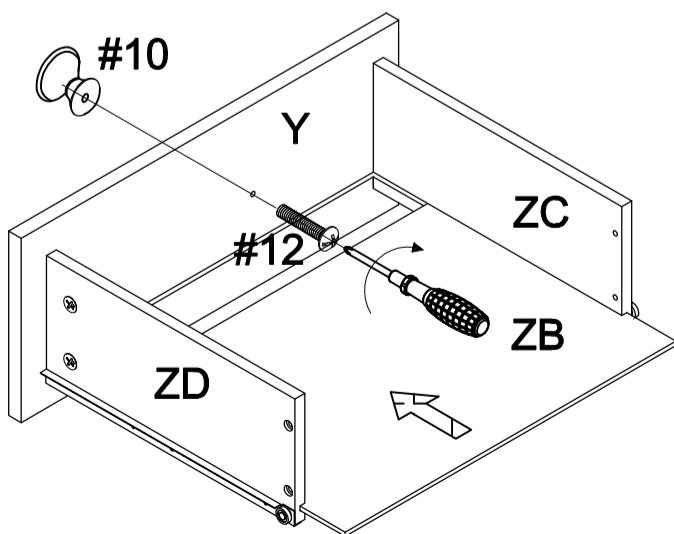
①



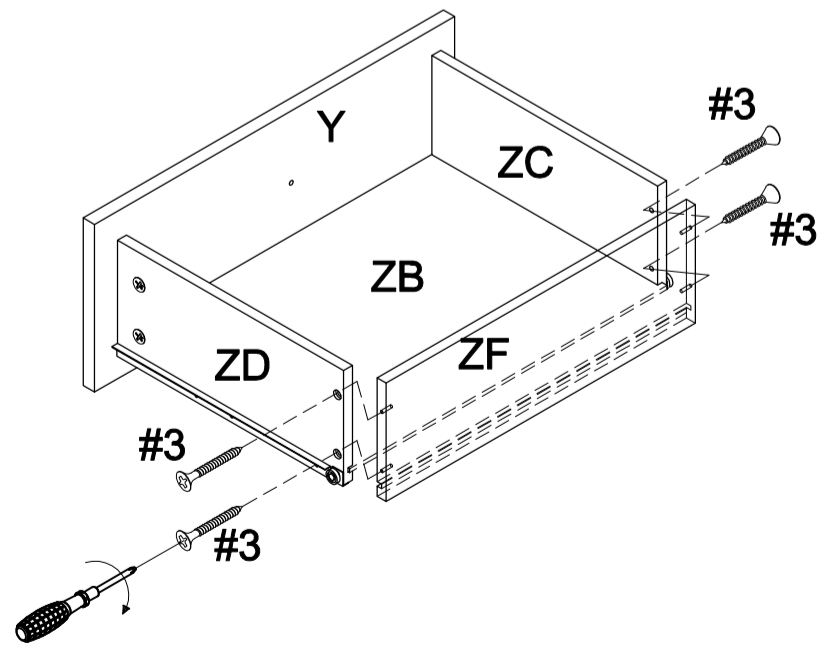
②



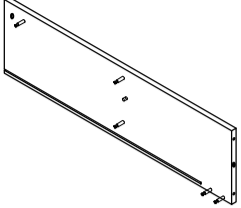
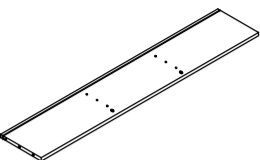
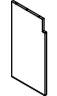
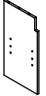
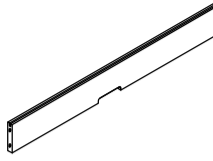
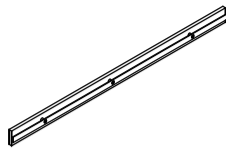




③

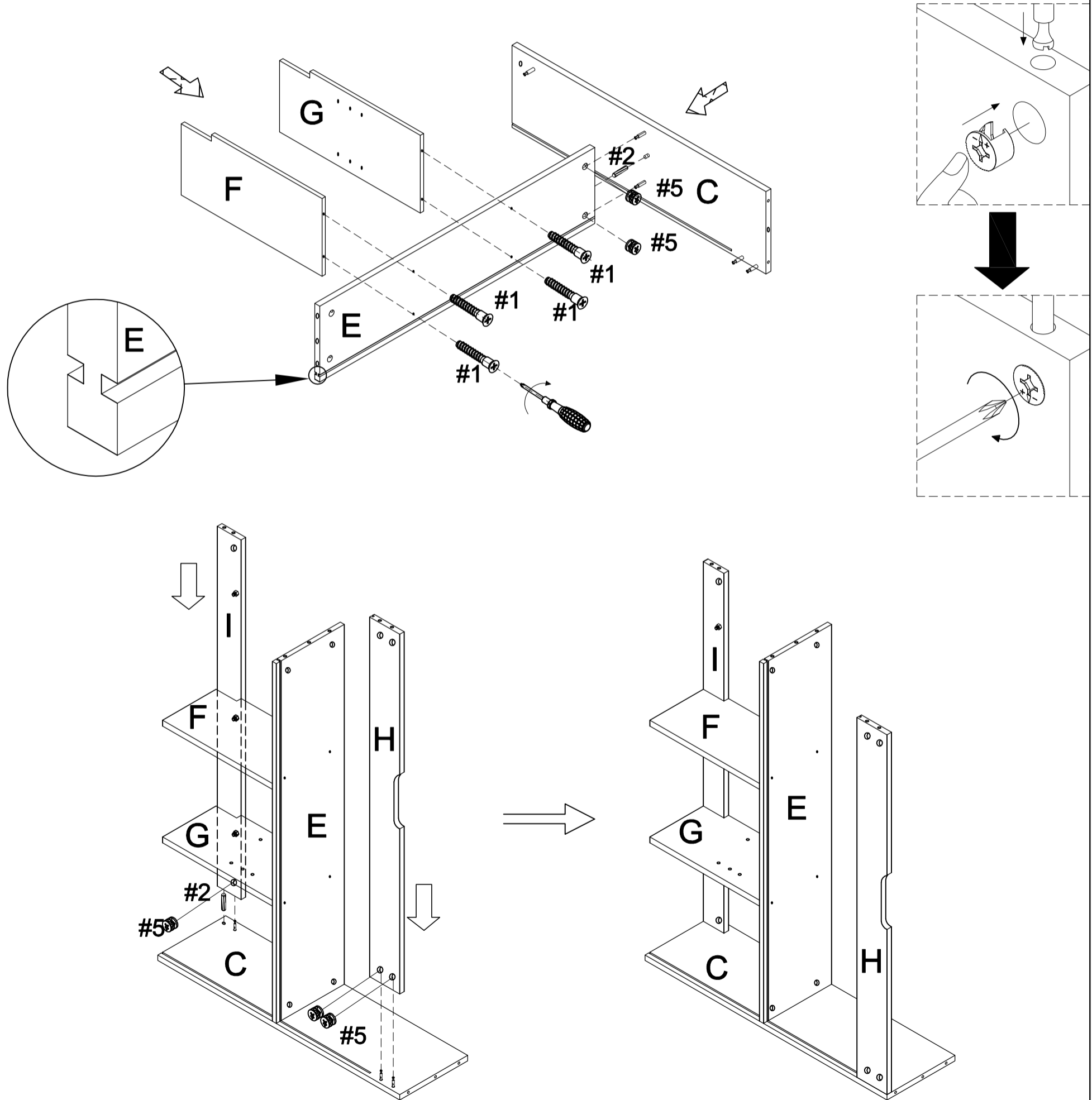


④

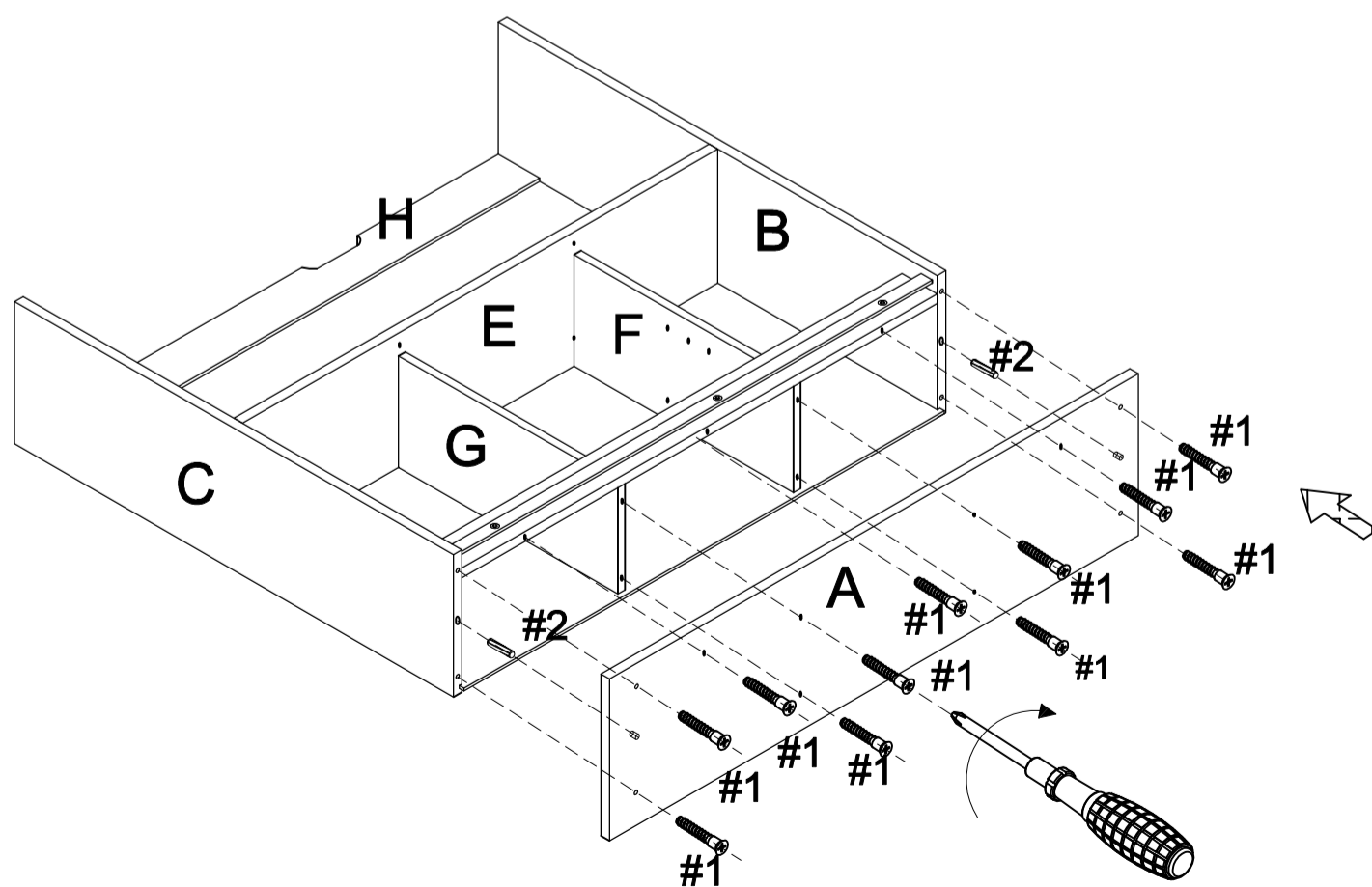
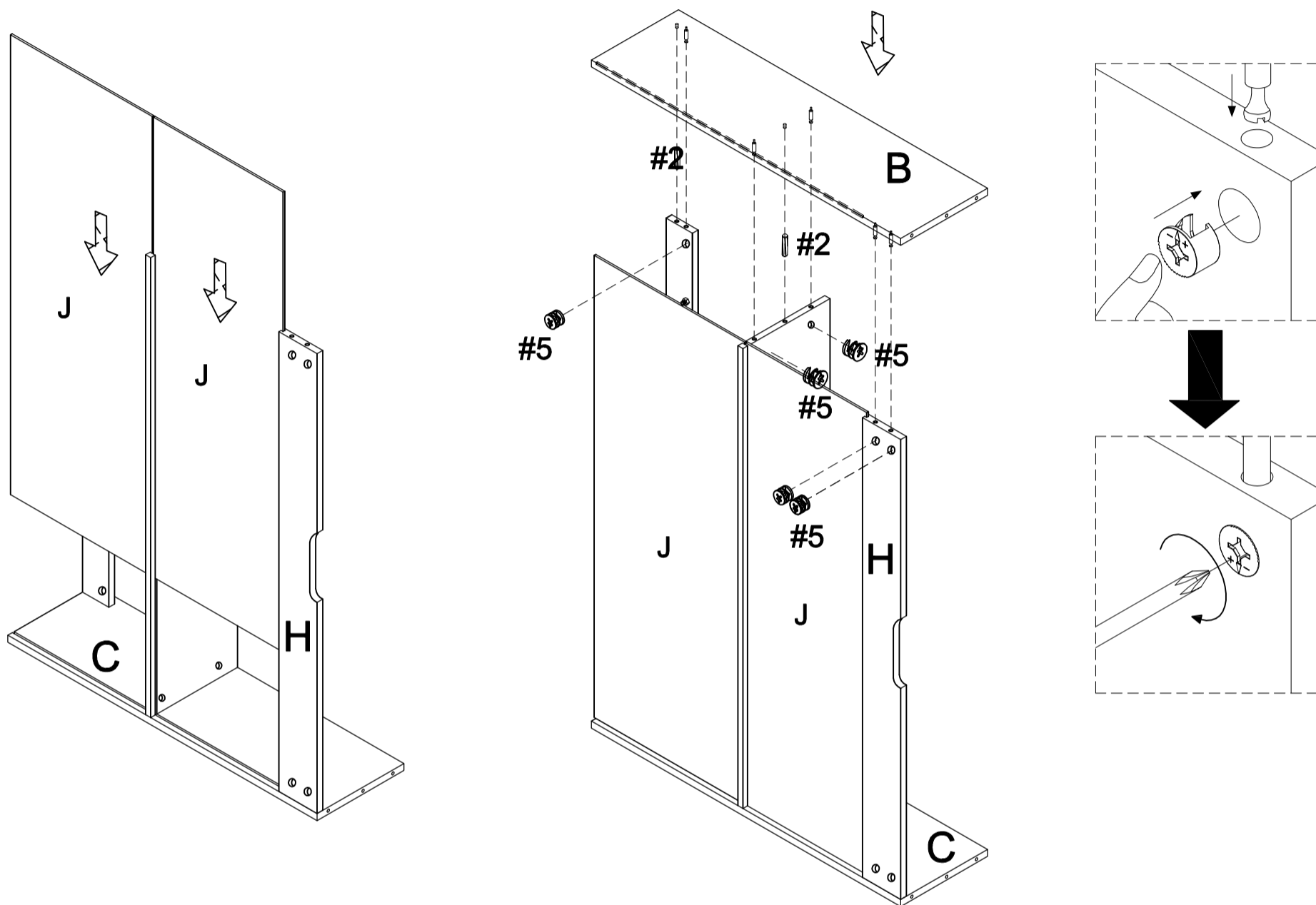
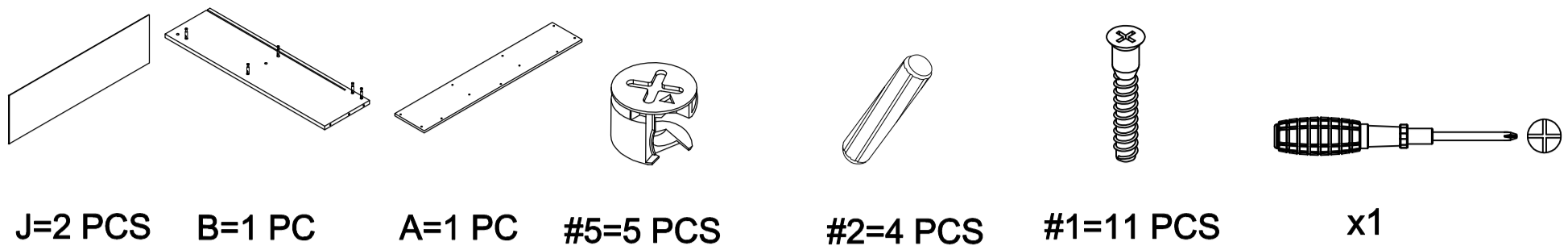


Step 10.

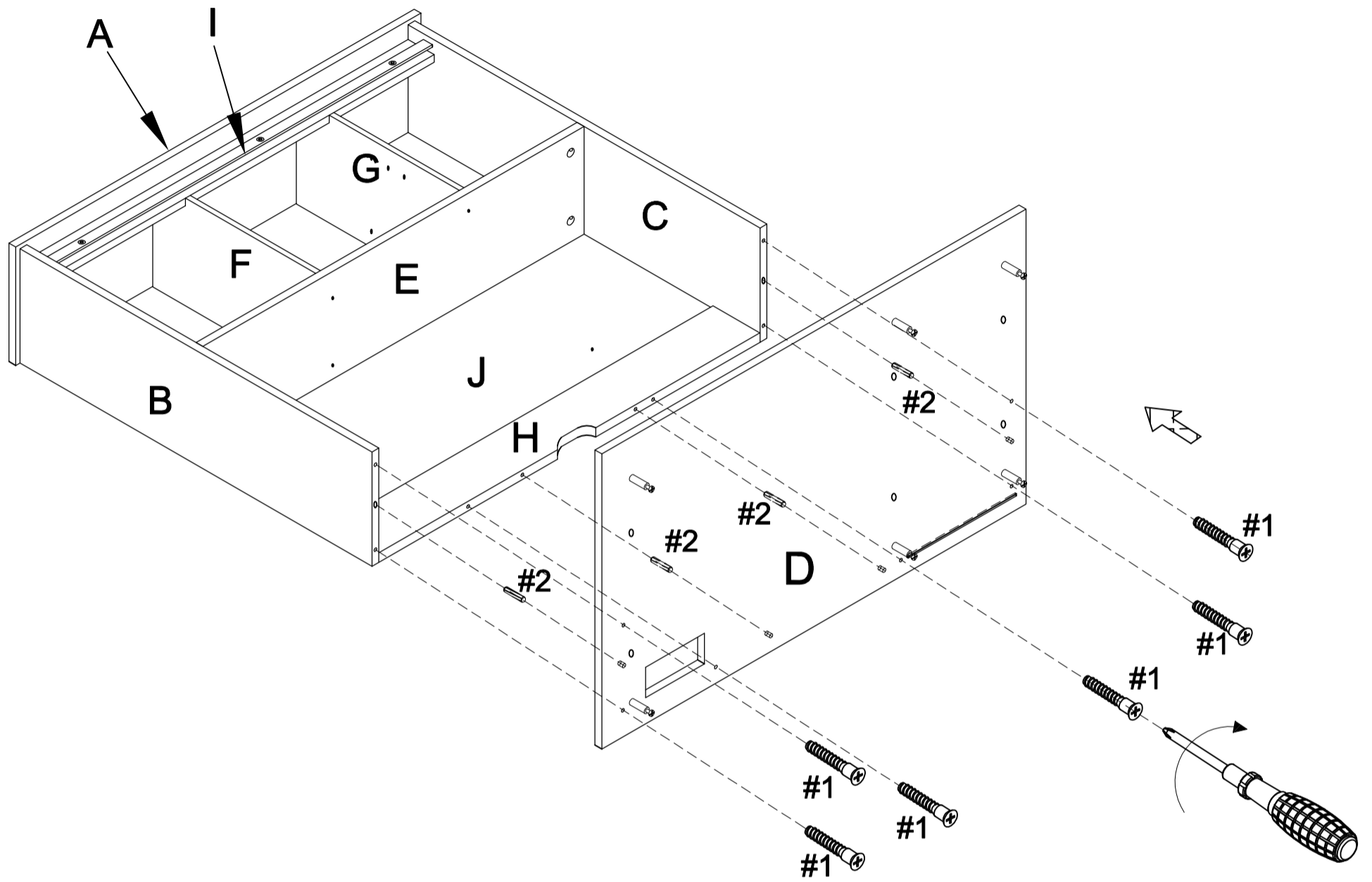
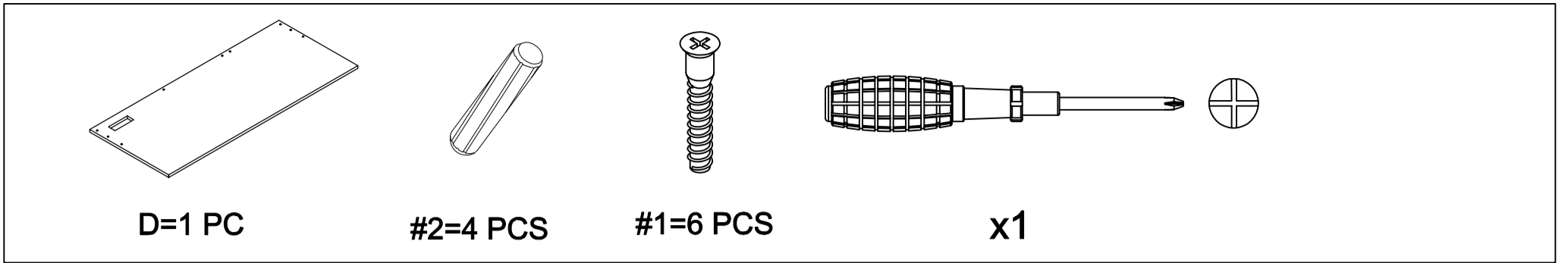
					
C=1 PC	E=1 PC	F=1 PC	G=1 PC	H=1 PC	I=1 PC
					
#5=5 PCS	#2=2 PCS	#1=4 PCS	x1		



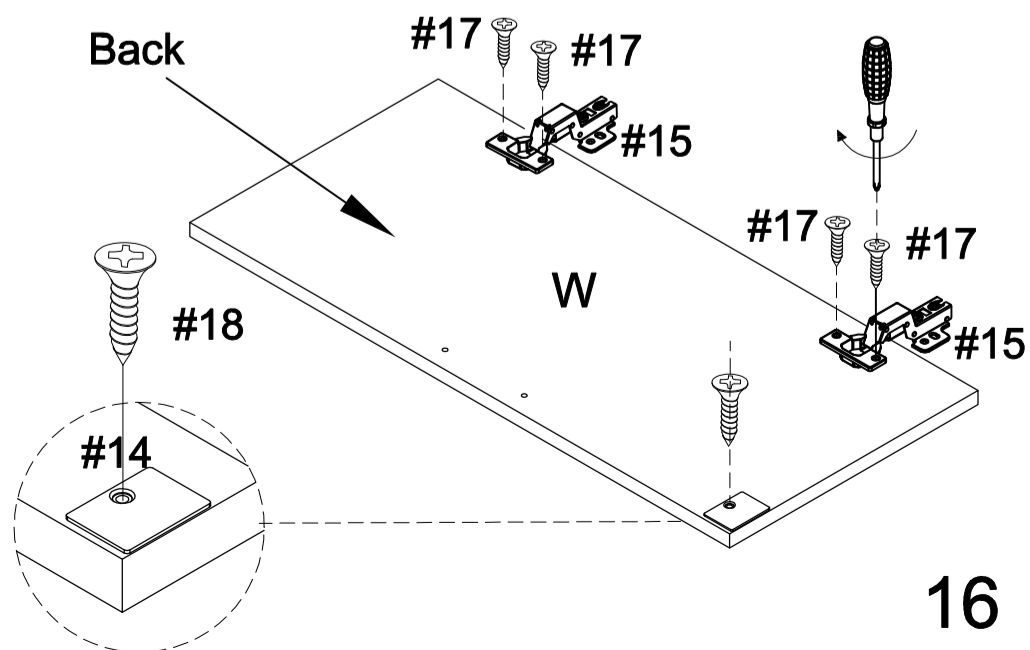
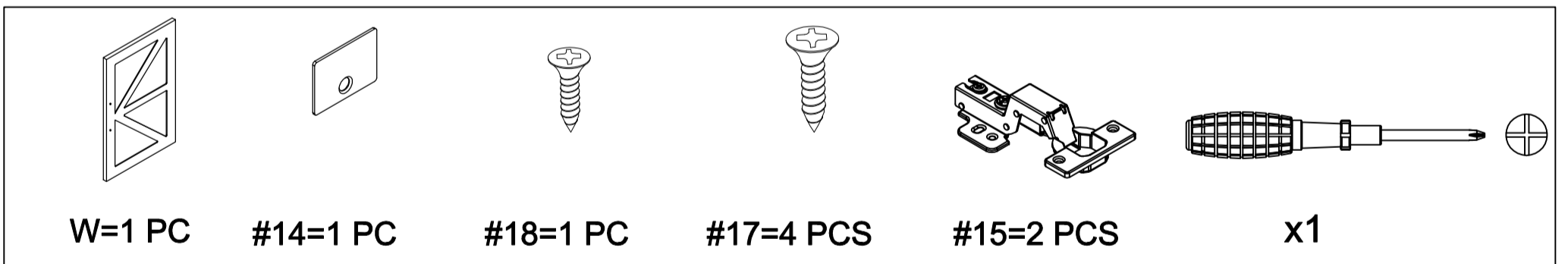
Step 11.



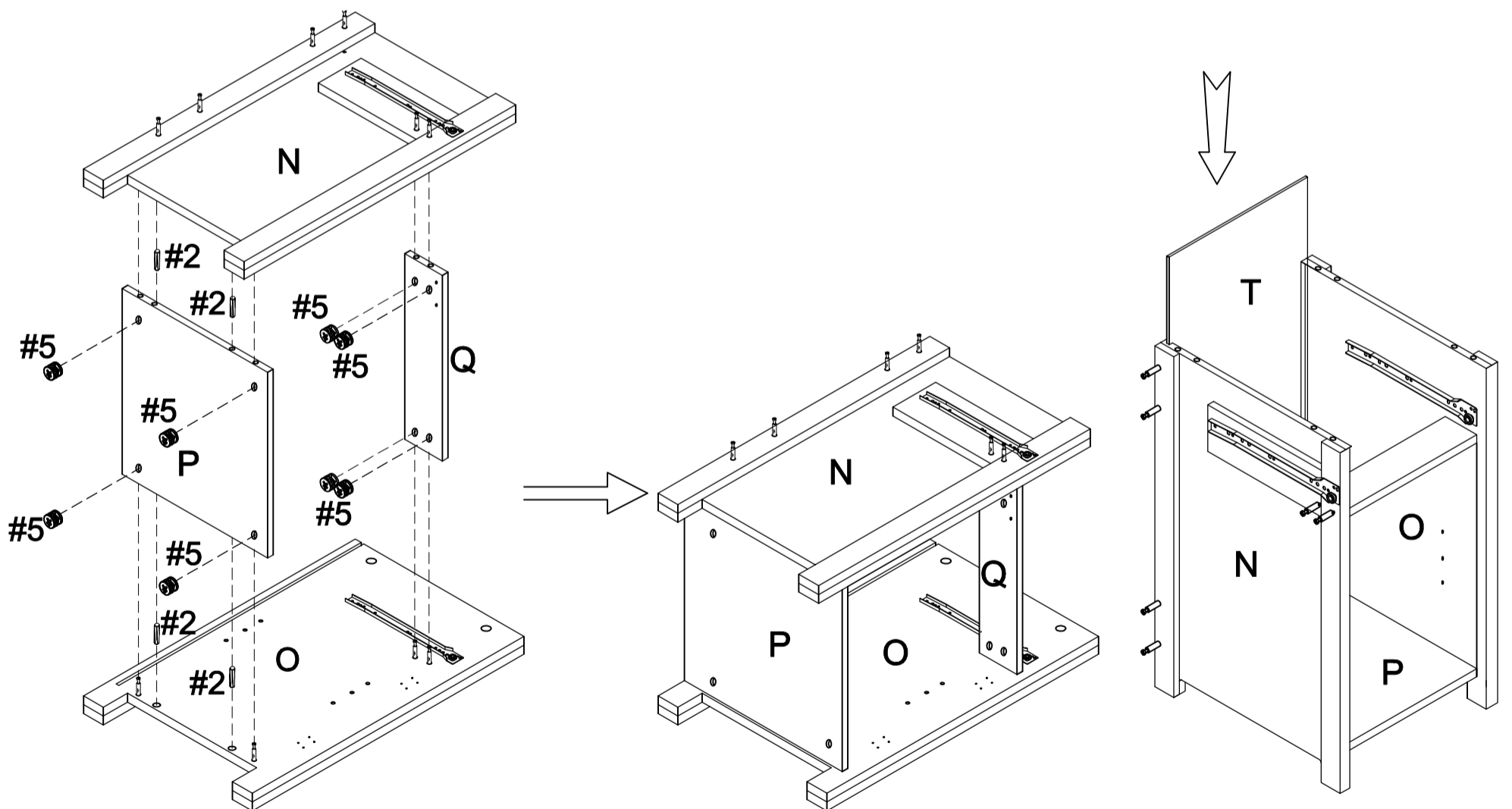
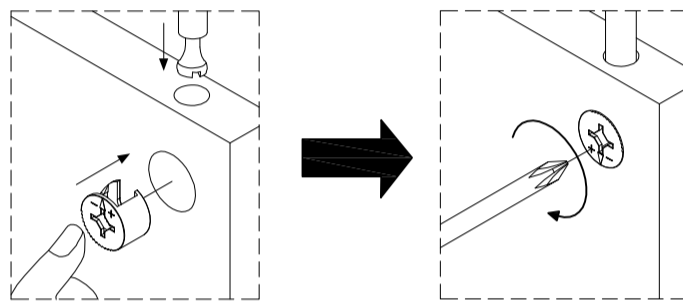
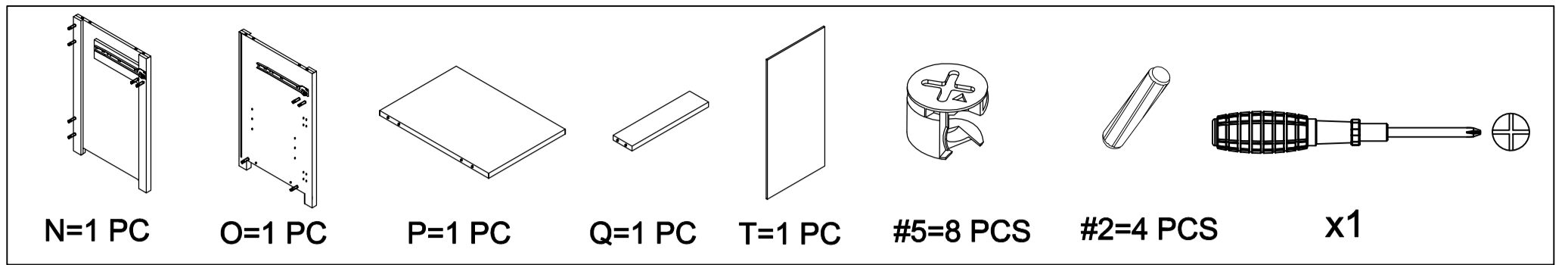
Step 12.



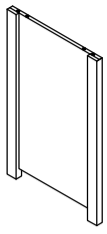
Step 13.



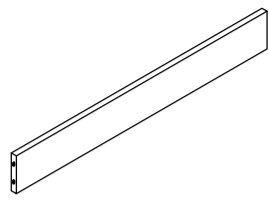
Step 14.



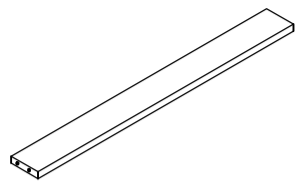
Step 15.



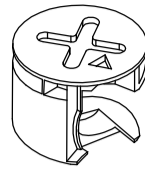
M=1 PC



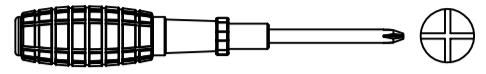
S=2 PCS



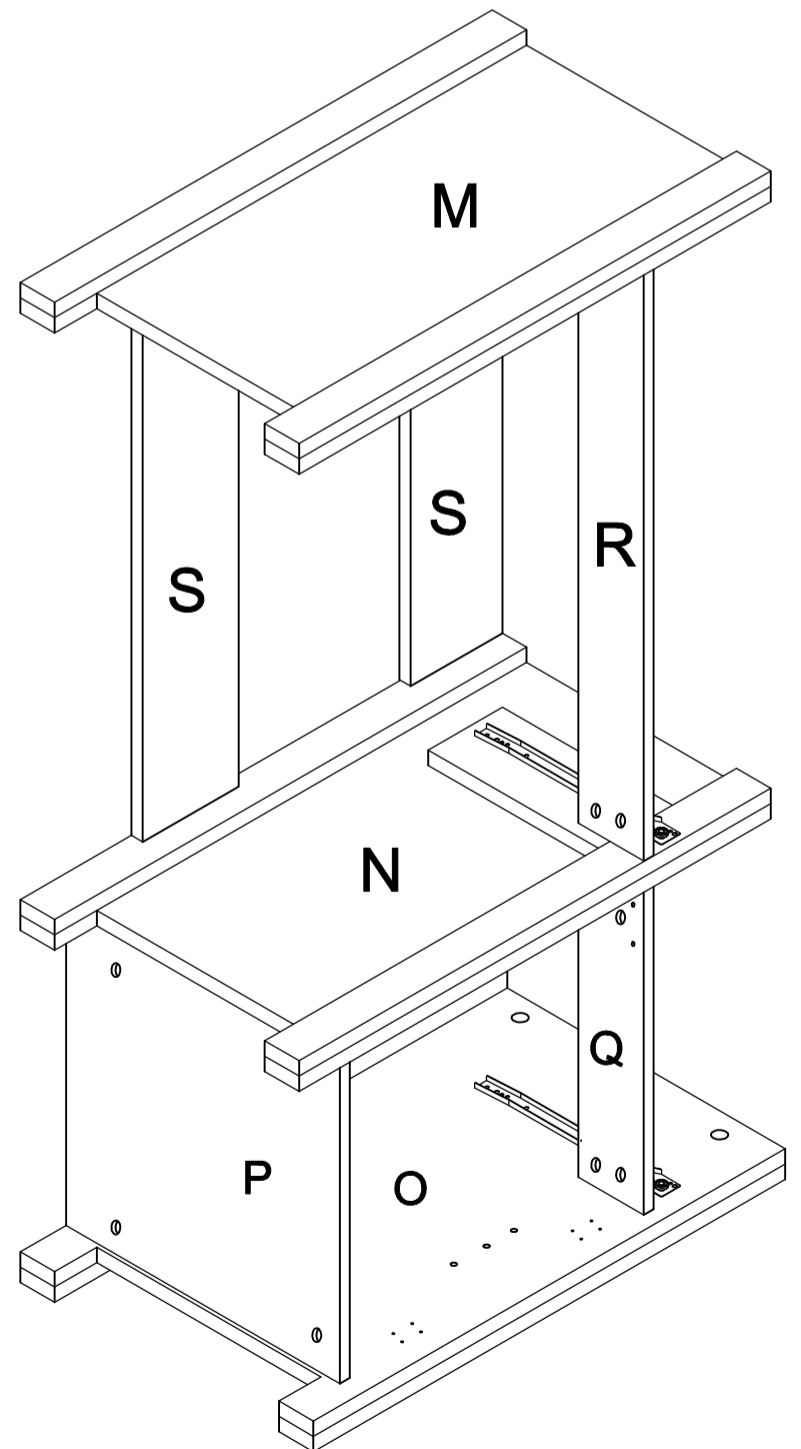
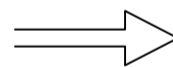
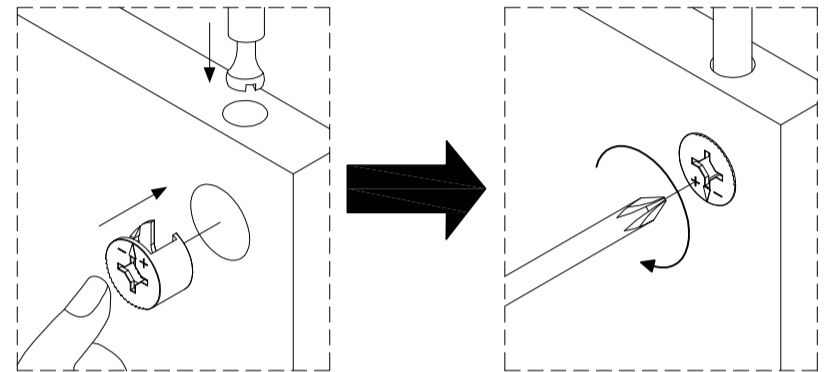
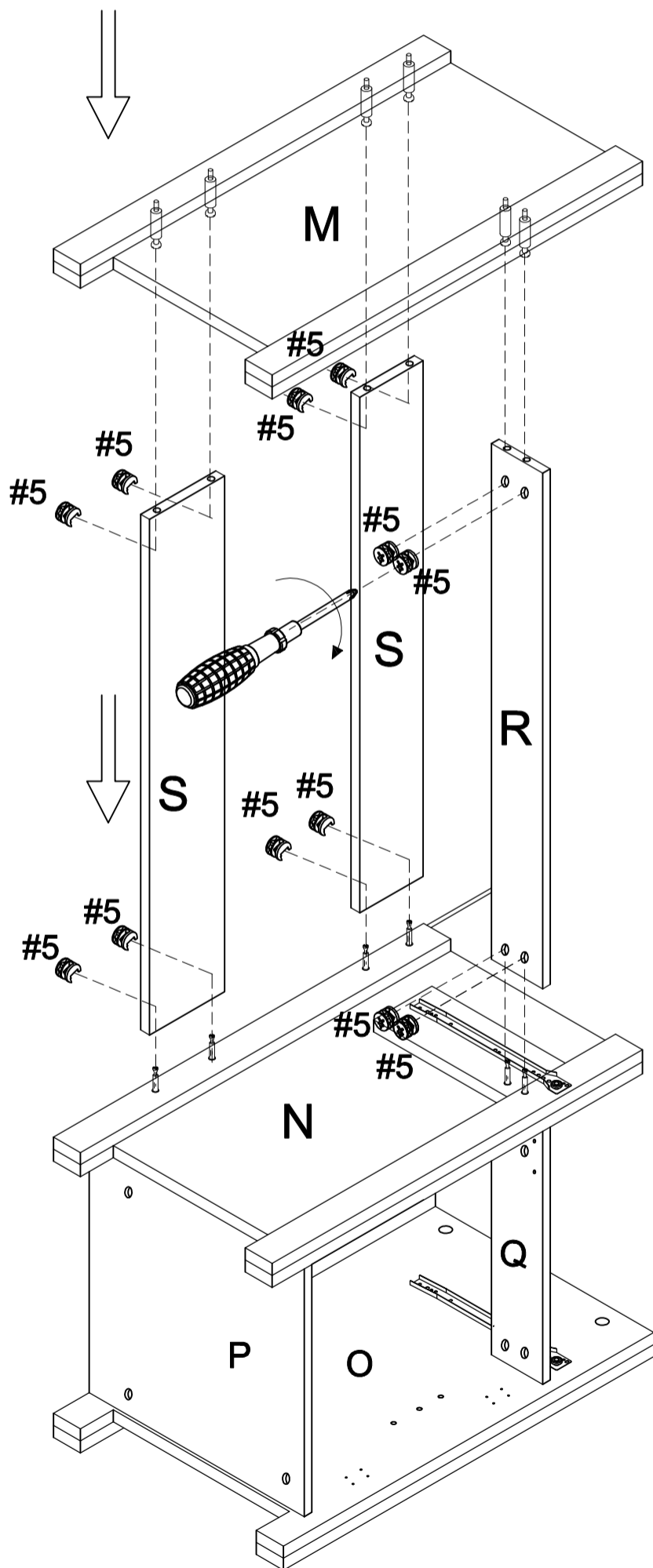
R=1 PC



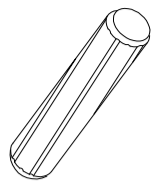
#5=12 PCS



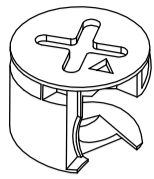
x1



Step 16.



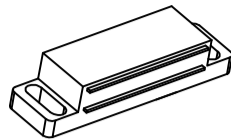
#2=6 PCS



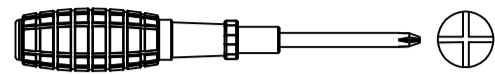
#5=6 PCS



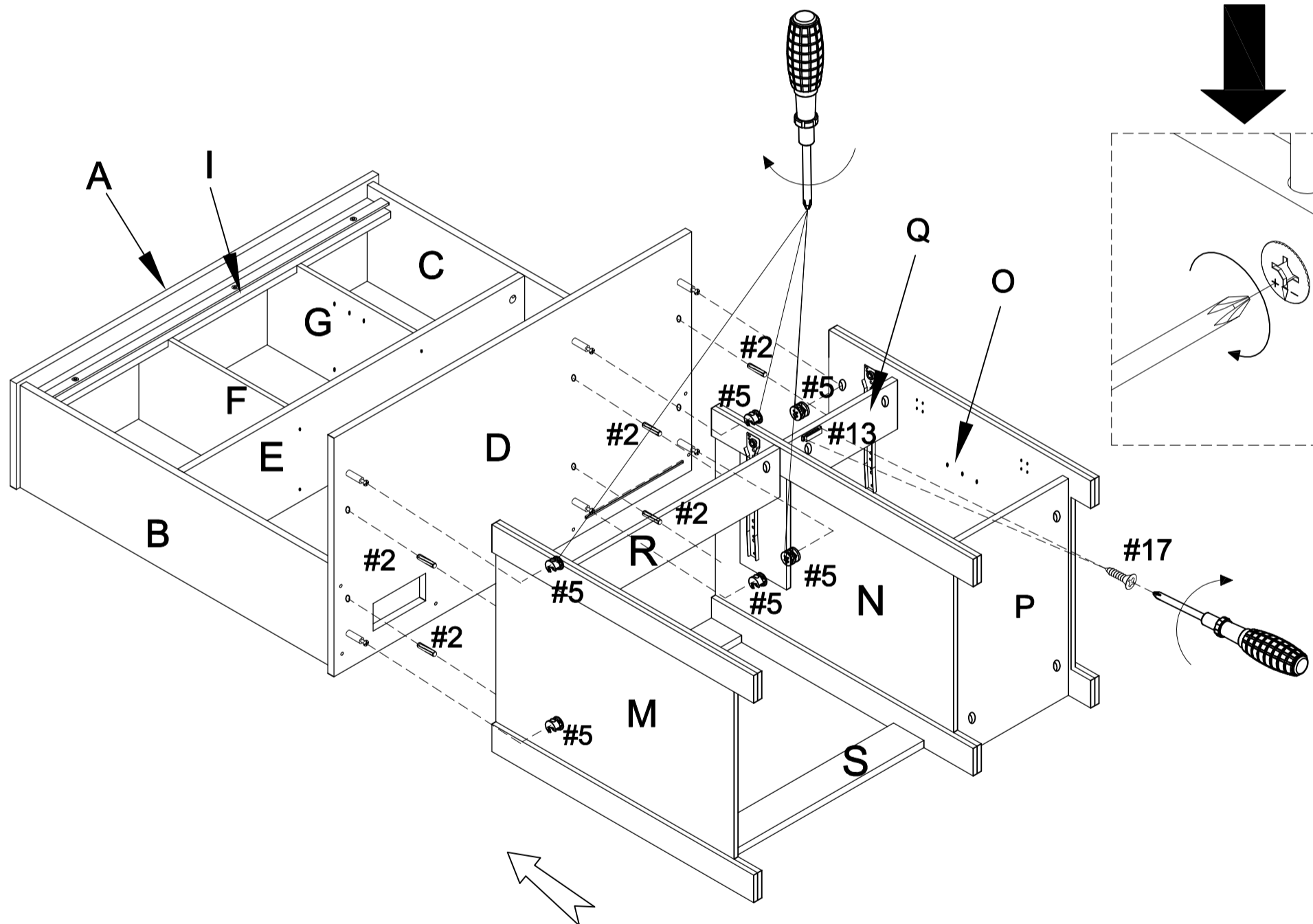
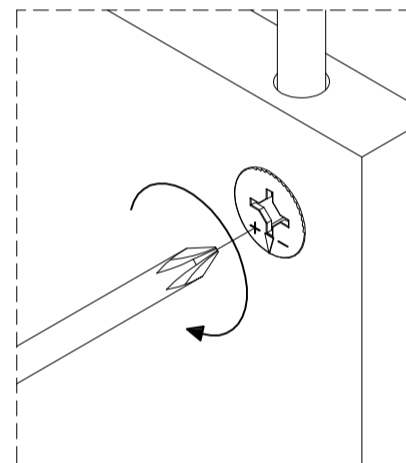
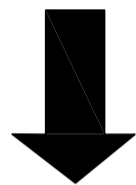
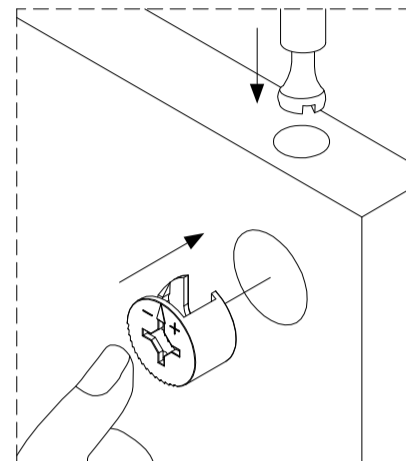
#17=2 PCS



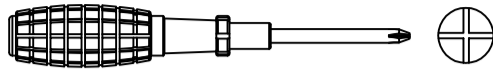
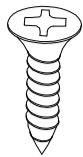
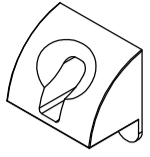
#13=1 PC



x1



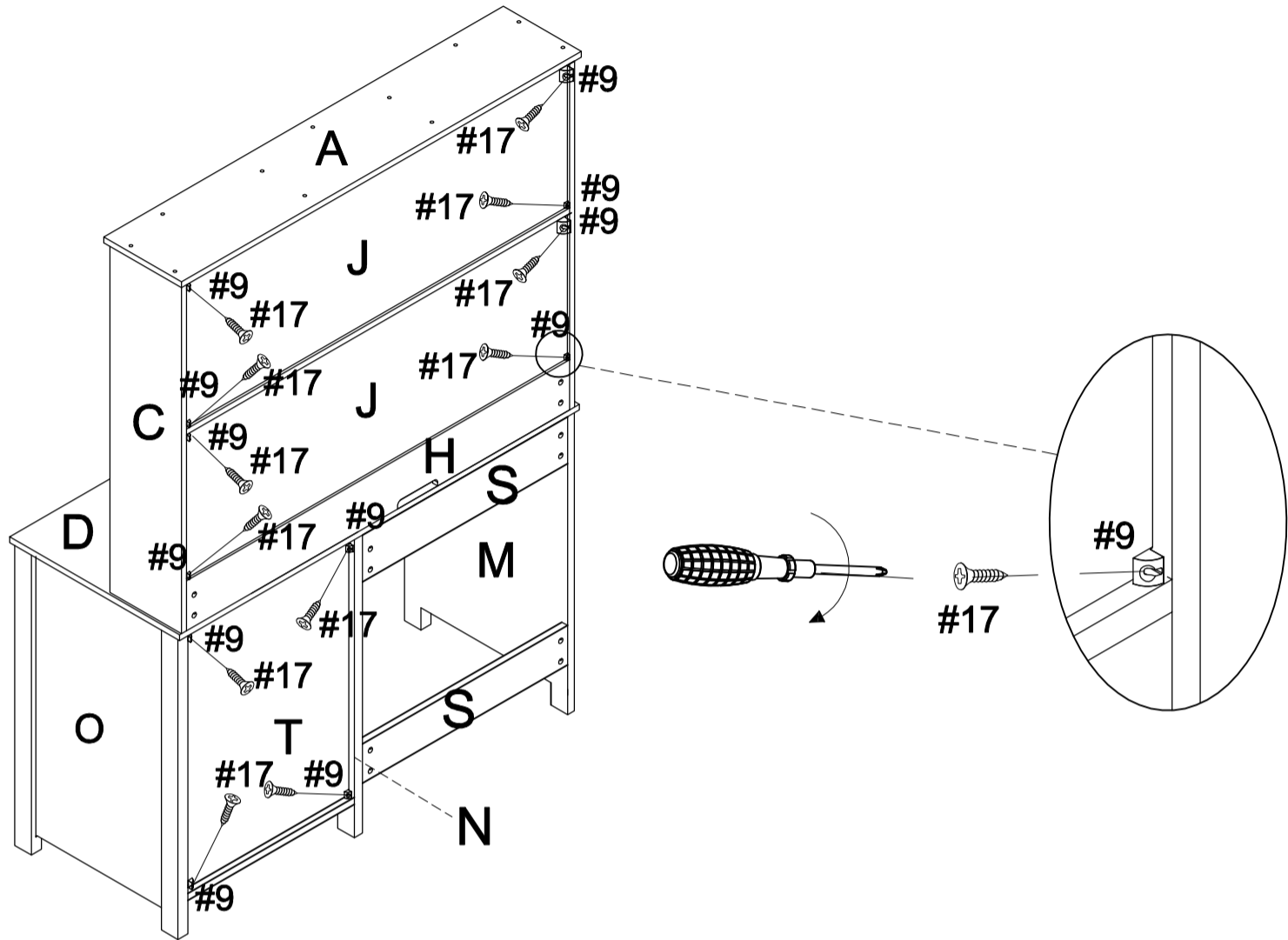
Step 17.



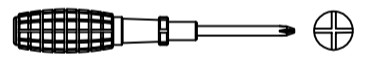
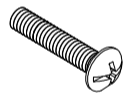
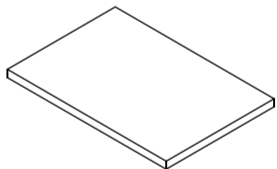
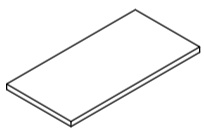
#9=12 PCS

#17=2 PCS

x1



Step 18.



U=1 PC

V=1 PC

#17=8 PCS

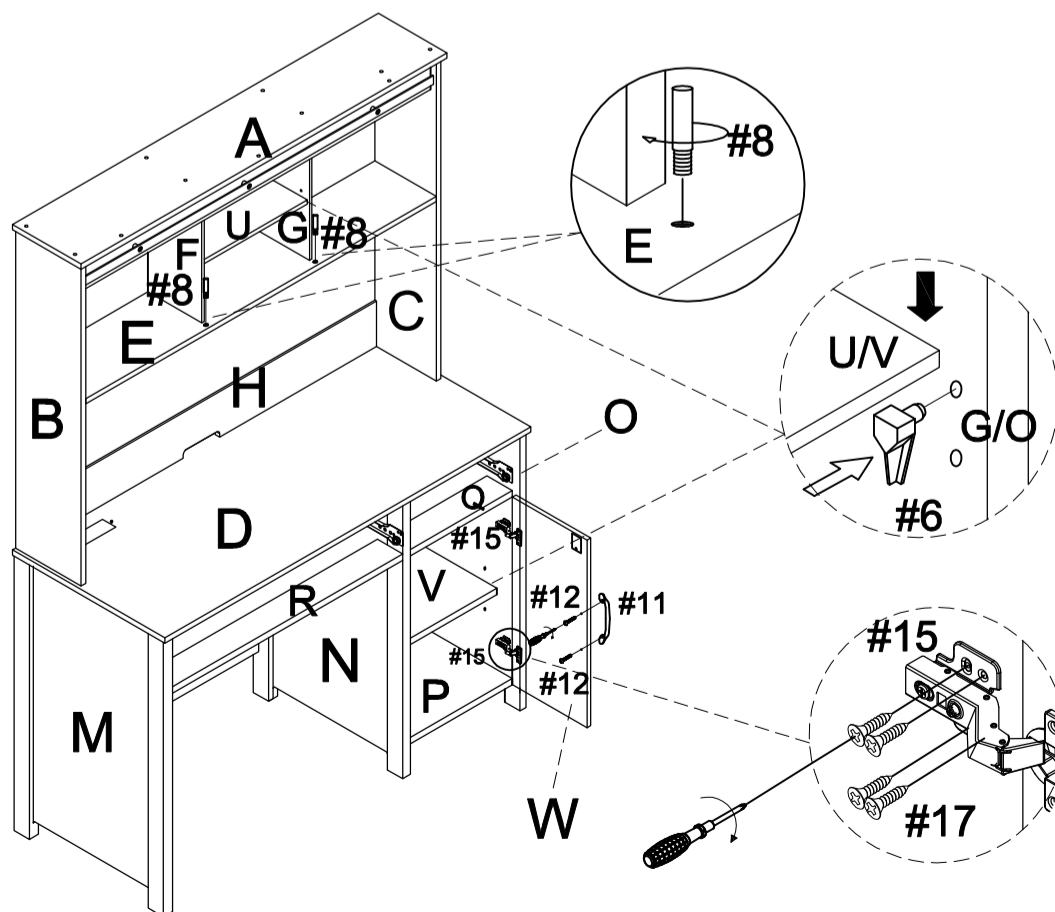
#11=1 PC

#12=2 PCS

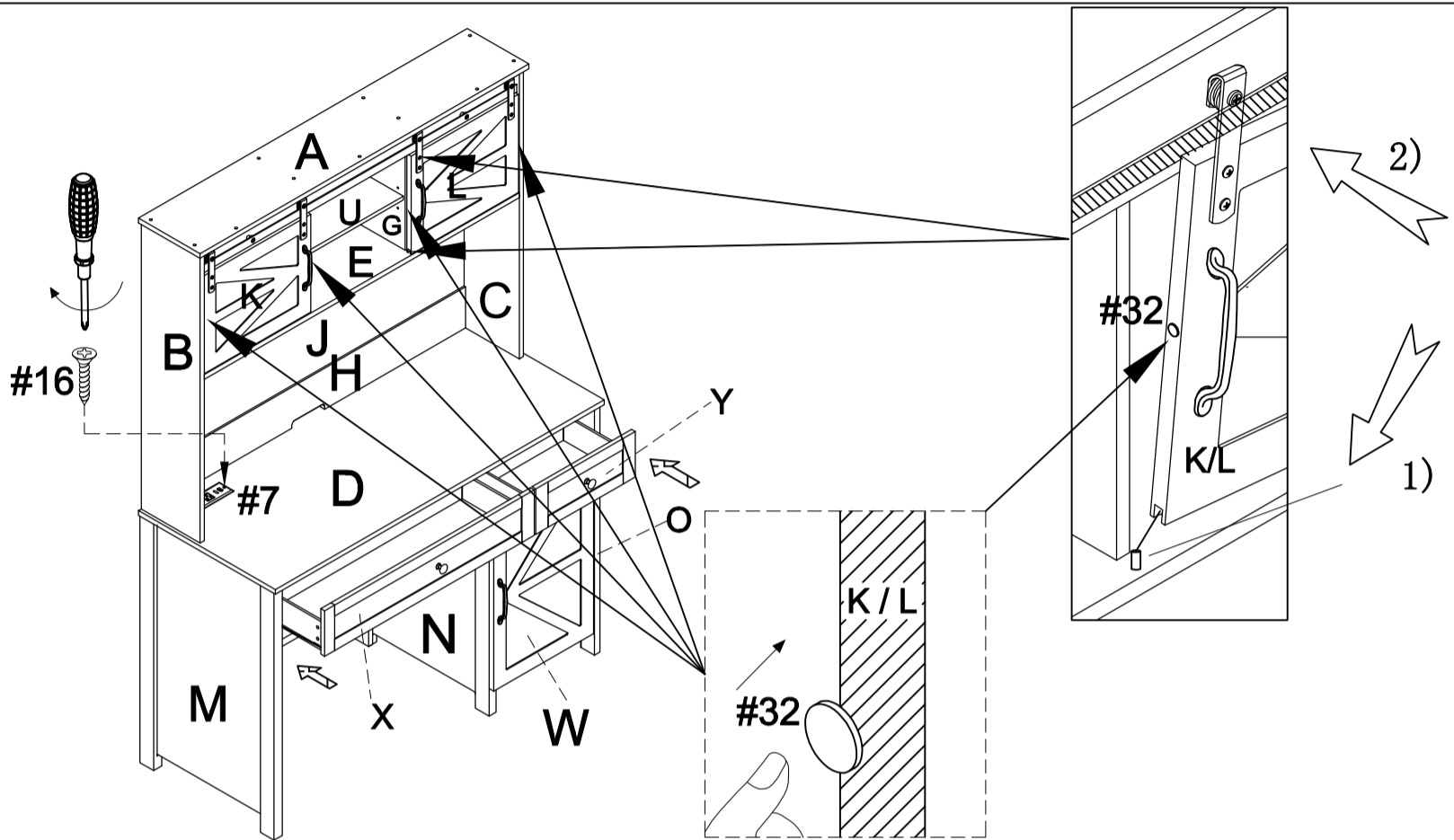
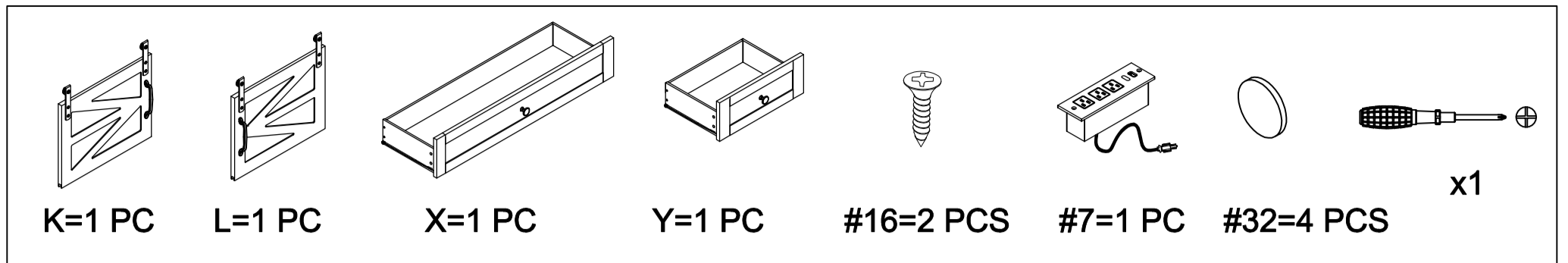
#6=8 PCS

#8=2 PCS

x1



Step 19.



Step 20.

#19	#19-A	#19-B	#19-C	#19-D
Safety Strap Kit	30*30*2mm Angel Iron	Wall Anchor	Ø3.5*15mm Short Screw	Ø4*40mm Long Screw
1 SET	2 PCS	2 PCS	2 PCS	2 PCS

