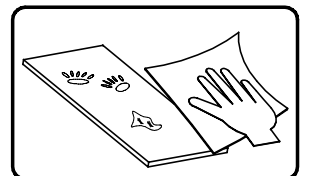
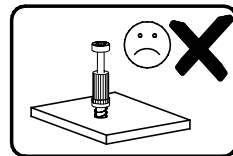
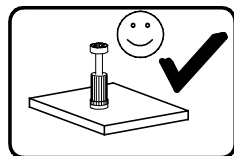
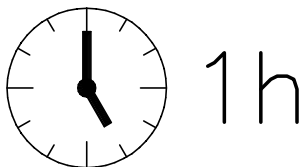
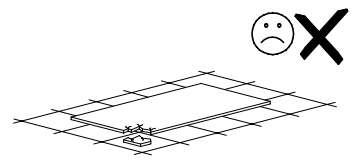
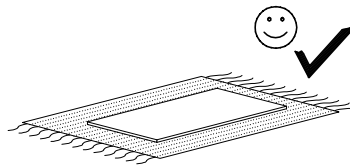
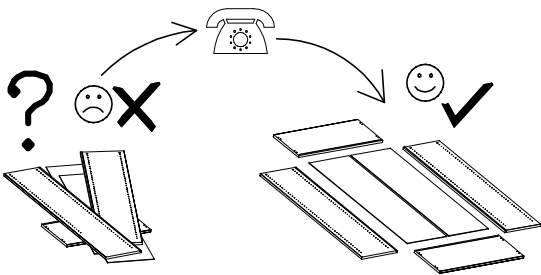
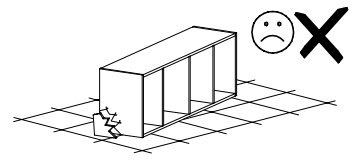
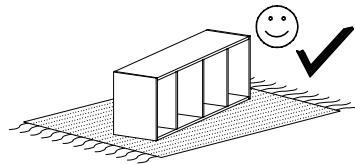
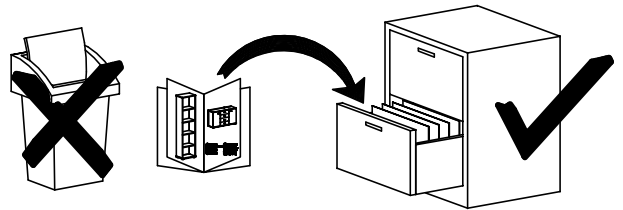
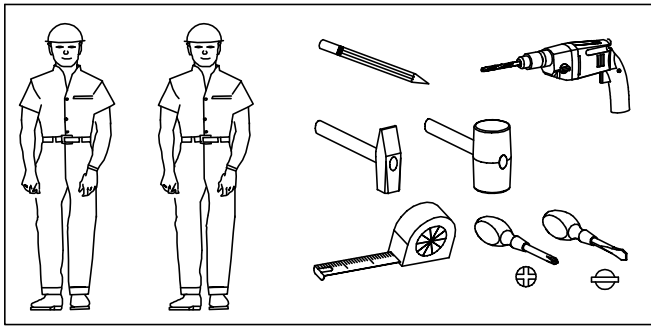
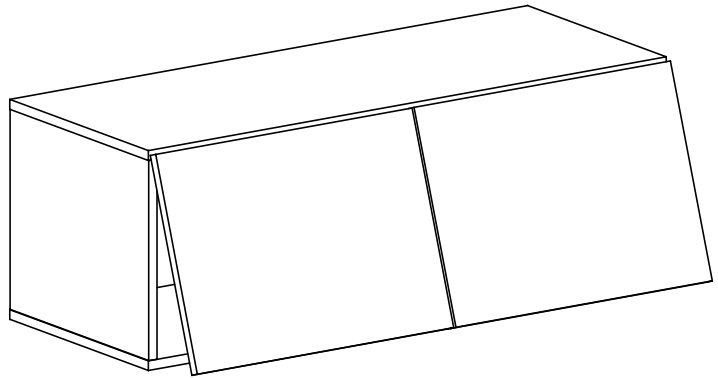
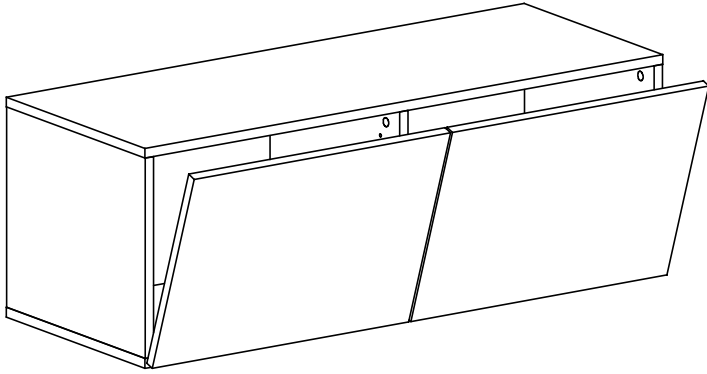
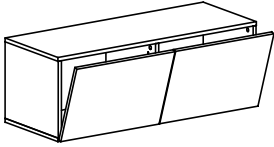
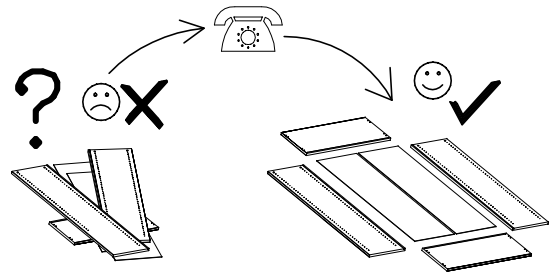
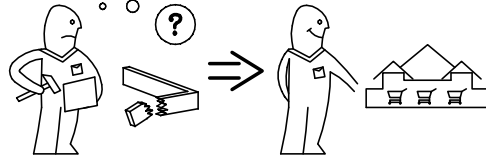
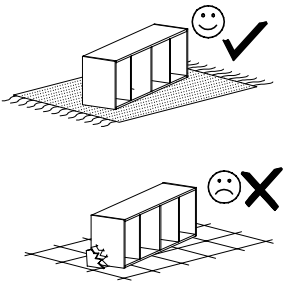
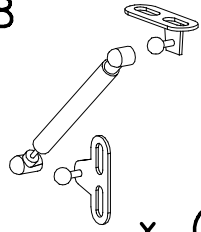


# Owner Manual

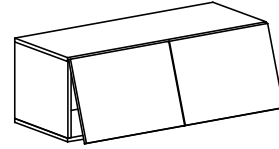




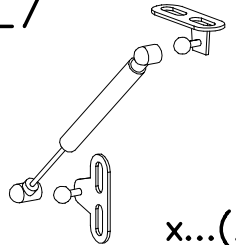
L8



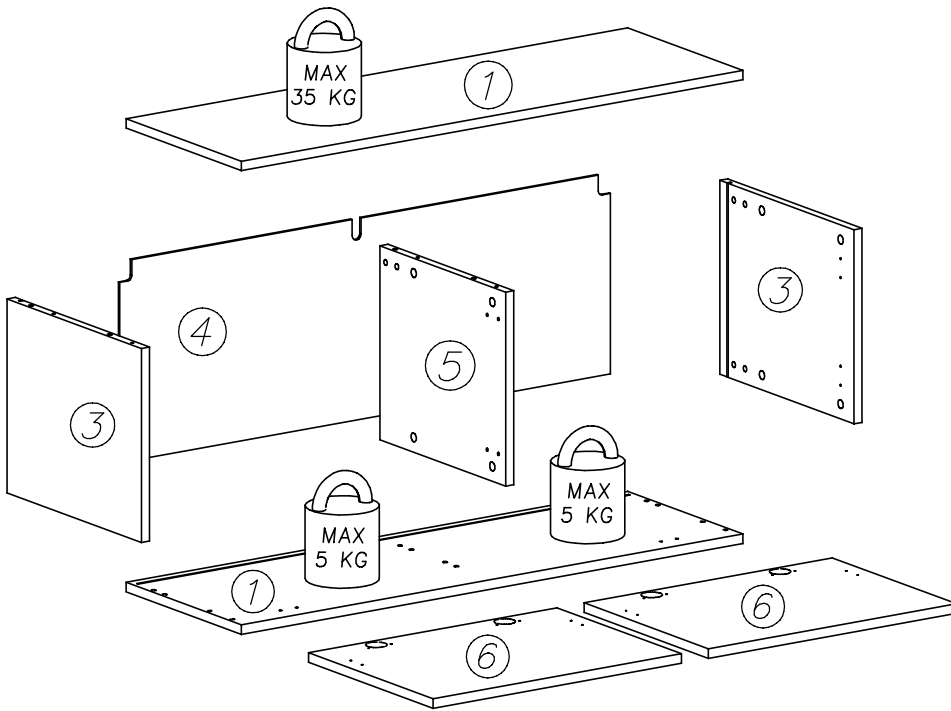
x...(2)



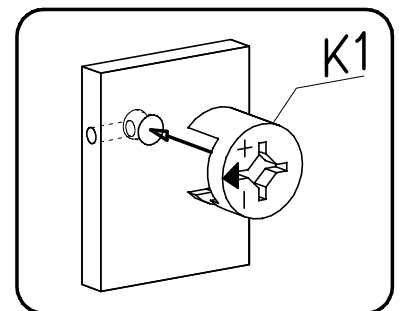
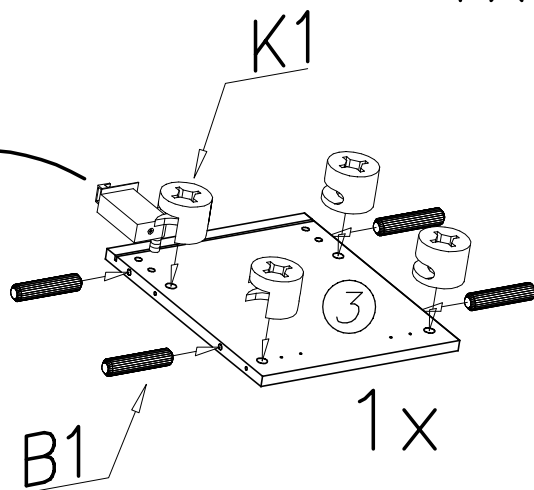
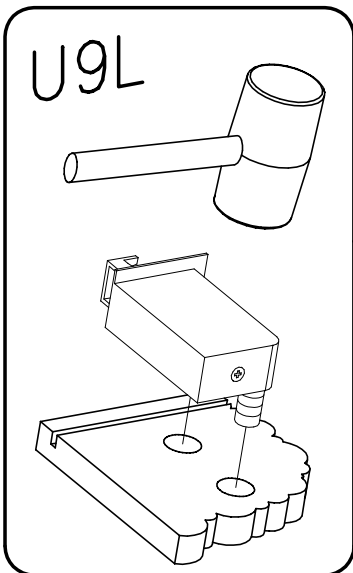
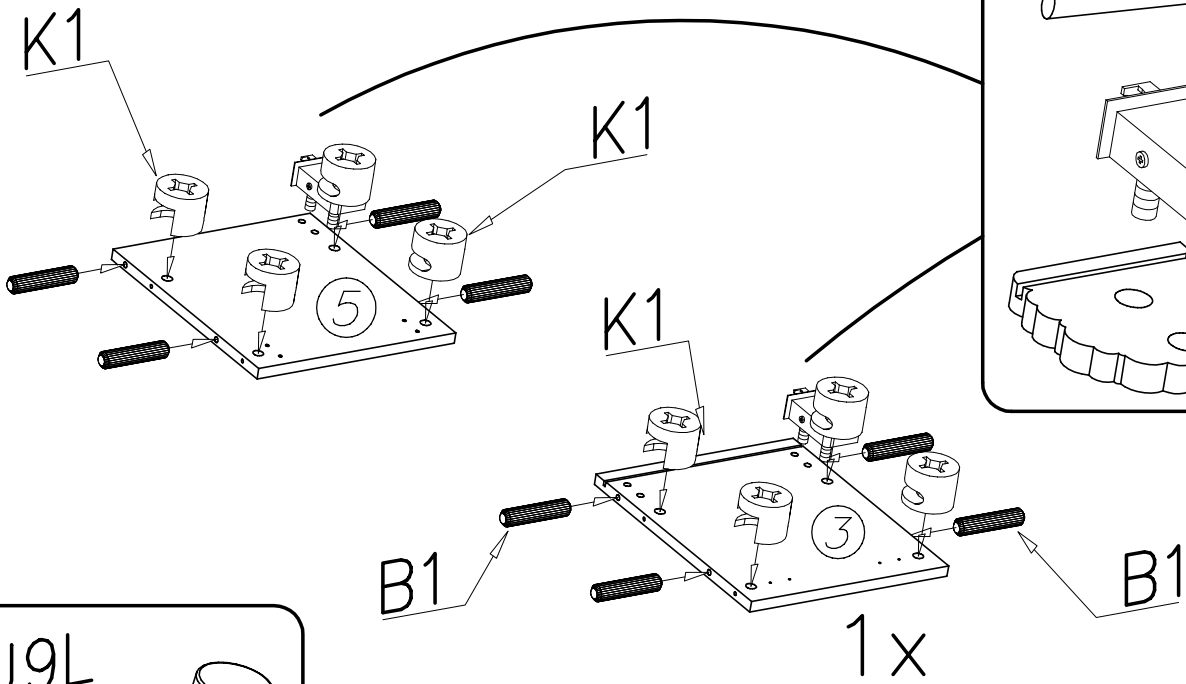
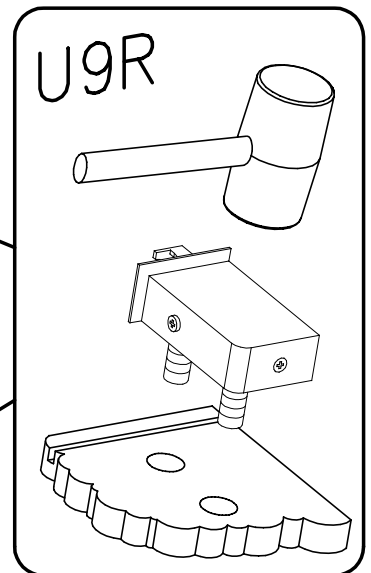
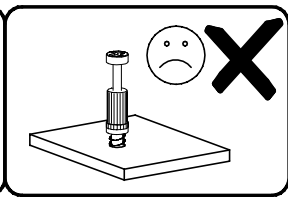
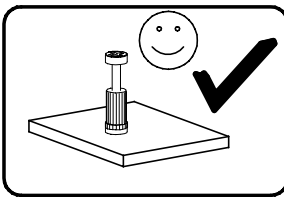
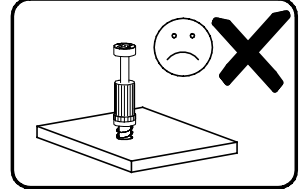
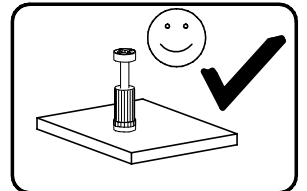
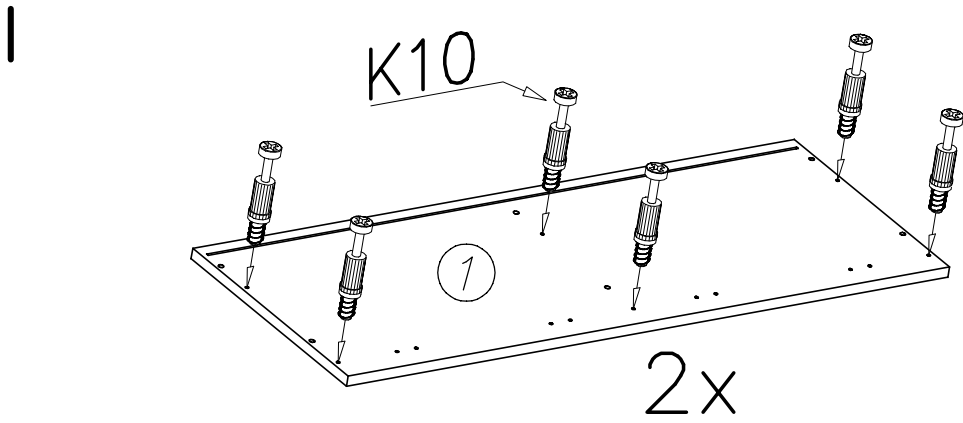
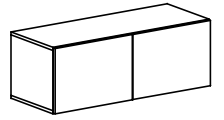
L7

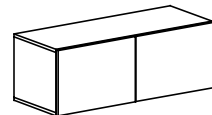


x...(2)

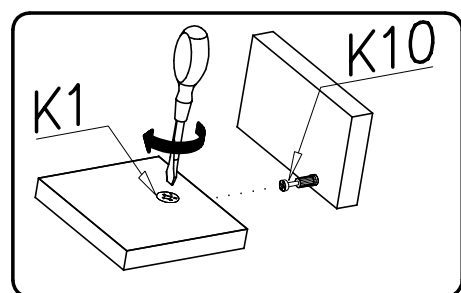
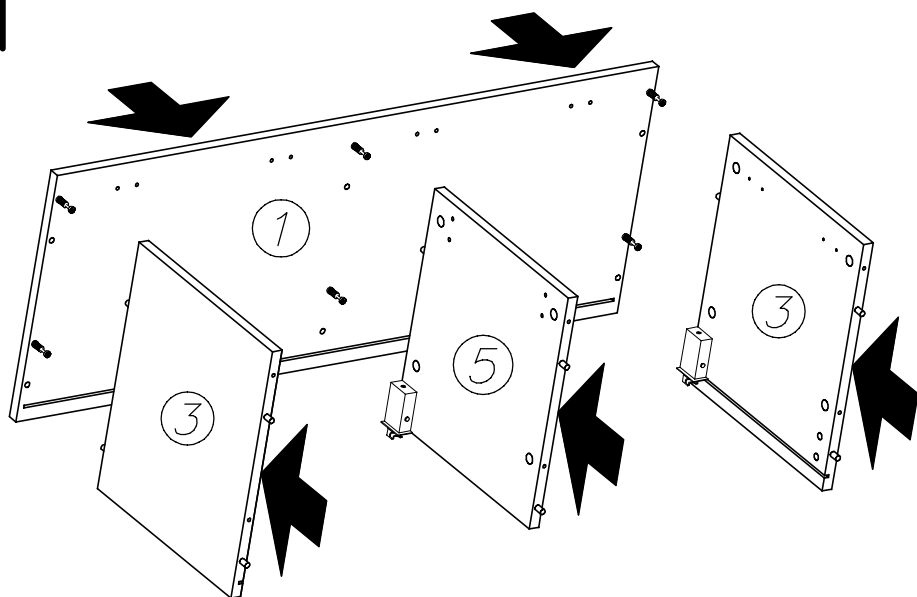


N7 M4x15 x...(2)	G32 3,5x16 x...(16)	I4 ø5 x...(4)	I10 ø10 x...(4)	L13 x...(2)
U9L x...(1)	U9R x...(2)	U10L x...(1)	U10R x...(2)	G57 3,5x16 x...(4)
K1 ø15x12 x...(12)	I7 x...(12)	I1 x...(6)	U7 x...(3)	U8 ø10x60 x...(3)
K10 x...(12)	B1 ø8x35 x...(12)	C3 Z35PR x...(4)	D3 PZ35PR x...(4)	G34 3,5x16 x...(11)

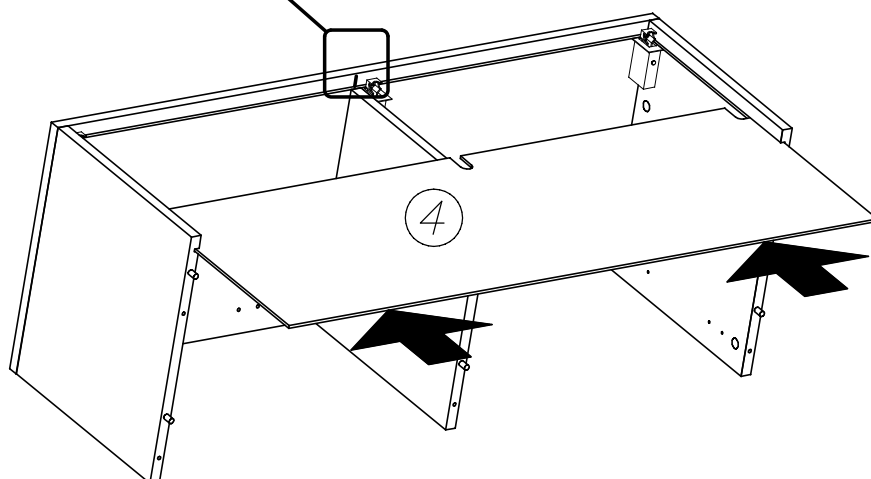
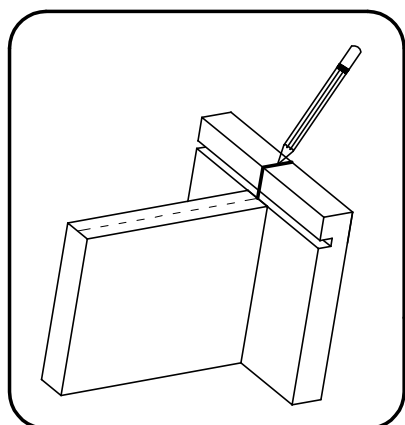


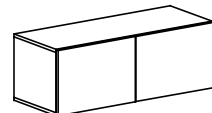


II

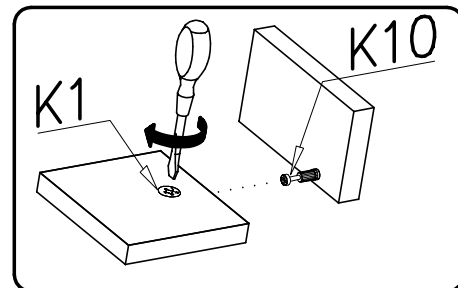
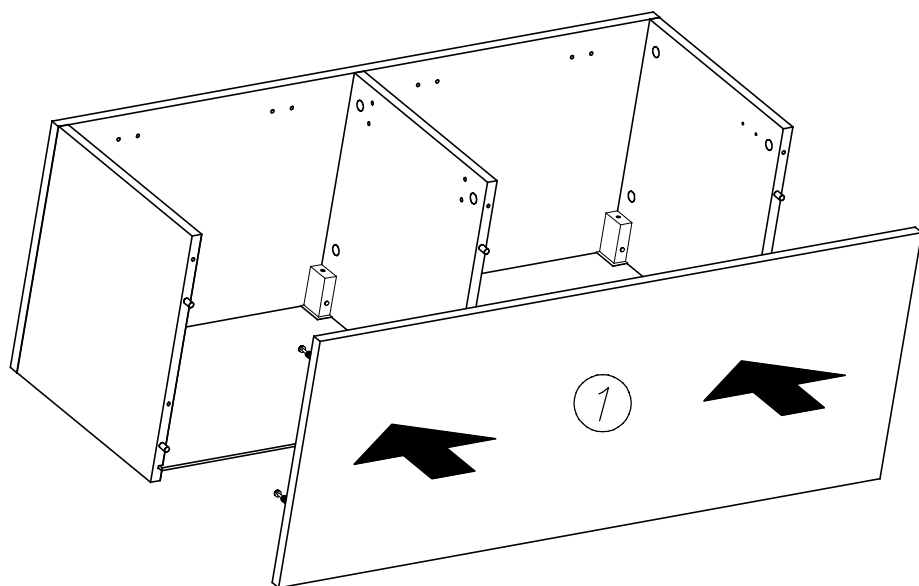


III

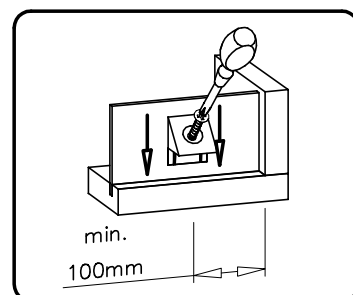
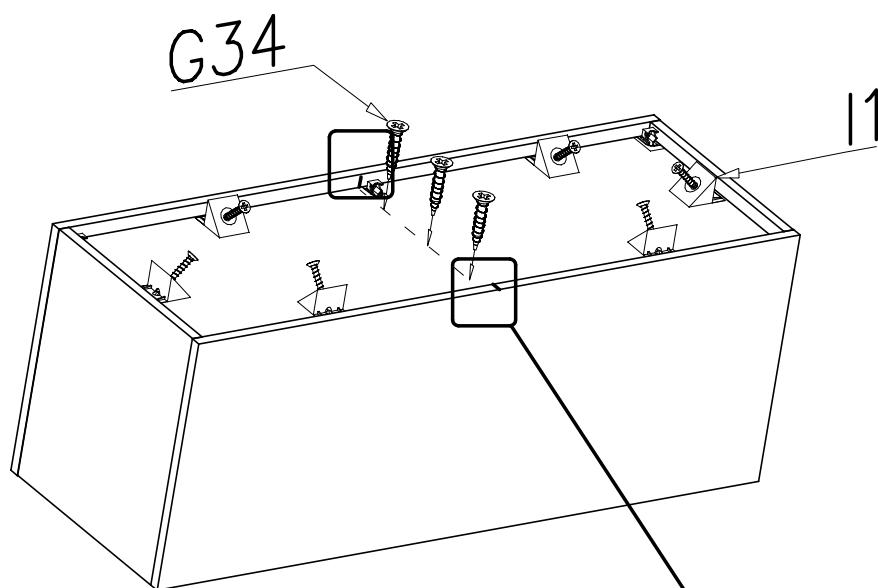




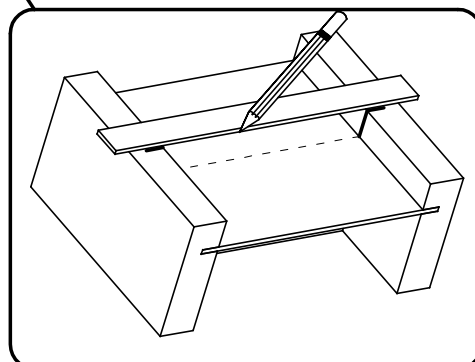
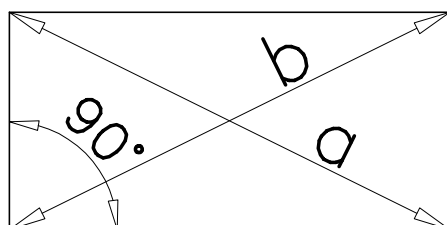
# IV

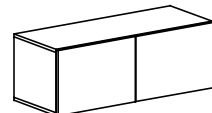


# V

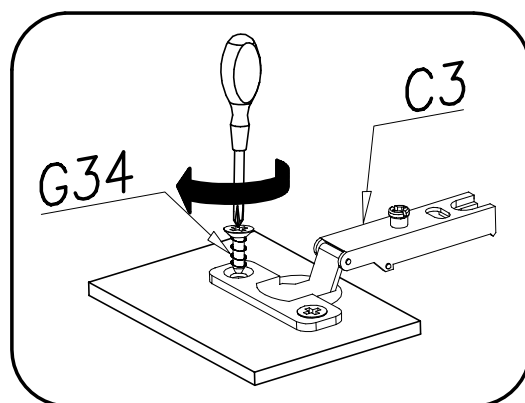
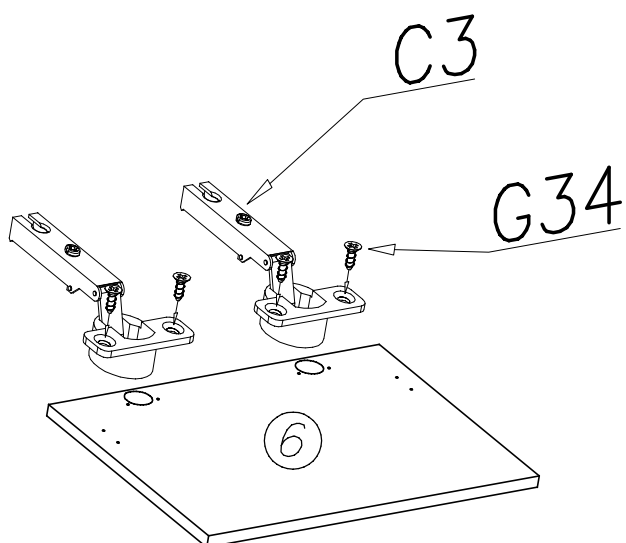


$$a = b$$

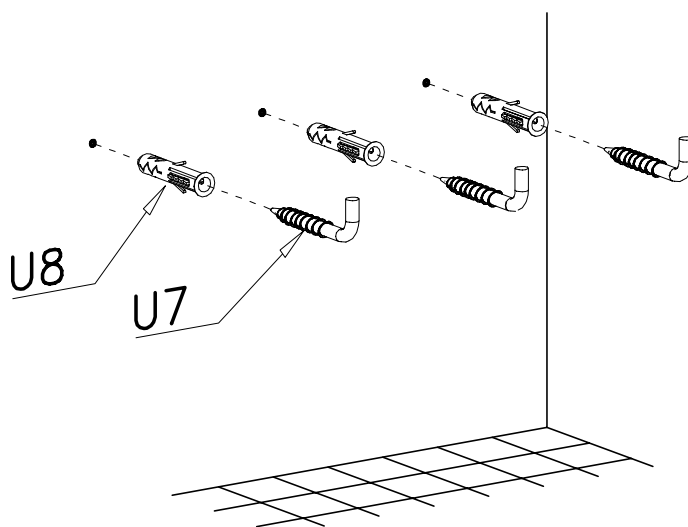
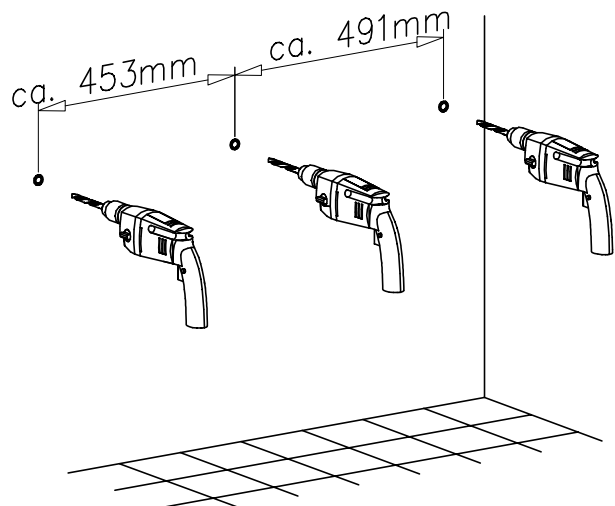
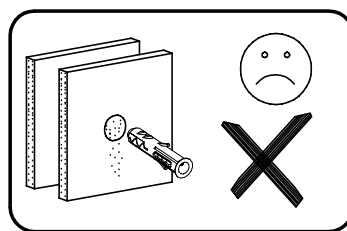
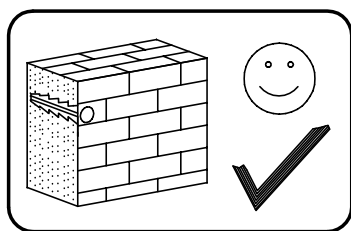


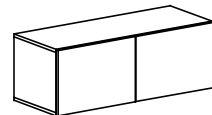


# VI

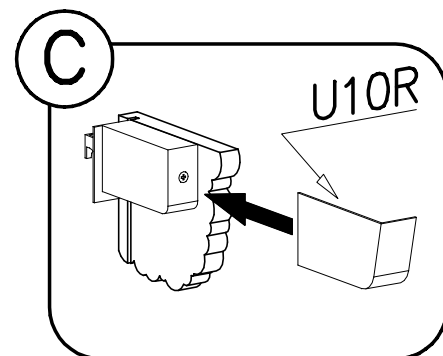
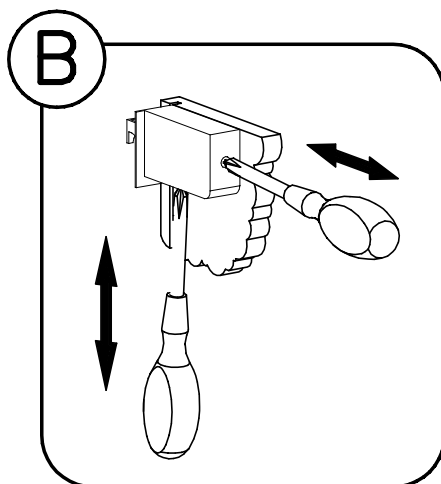
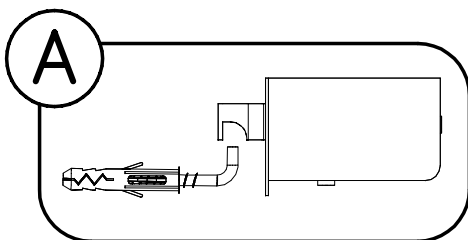
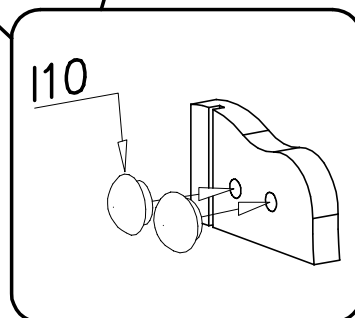
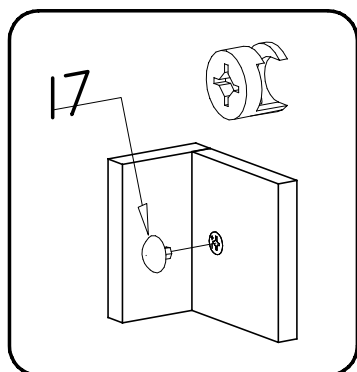
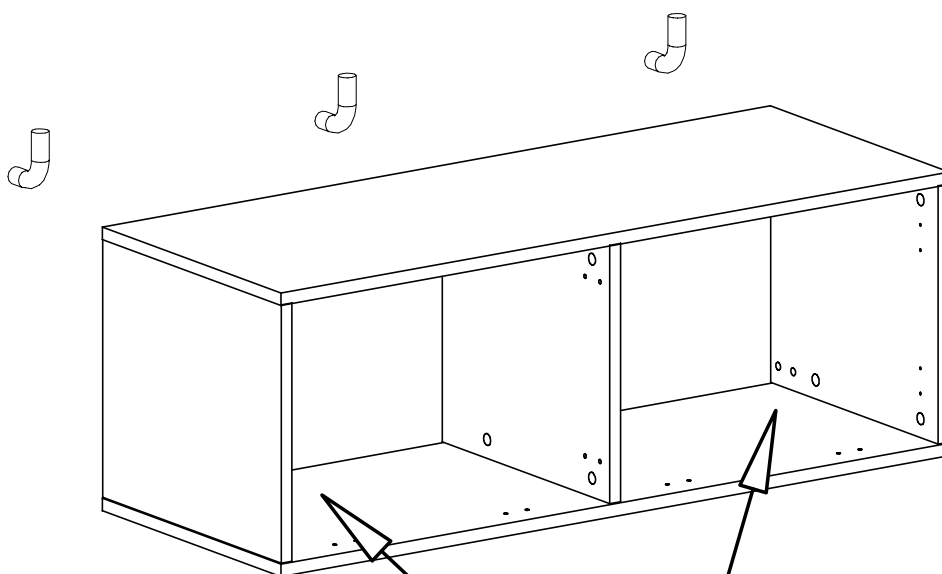


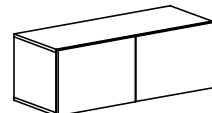
# VII



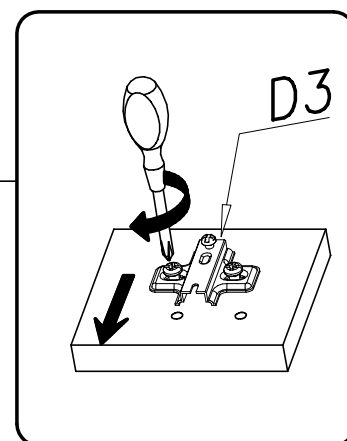
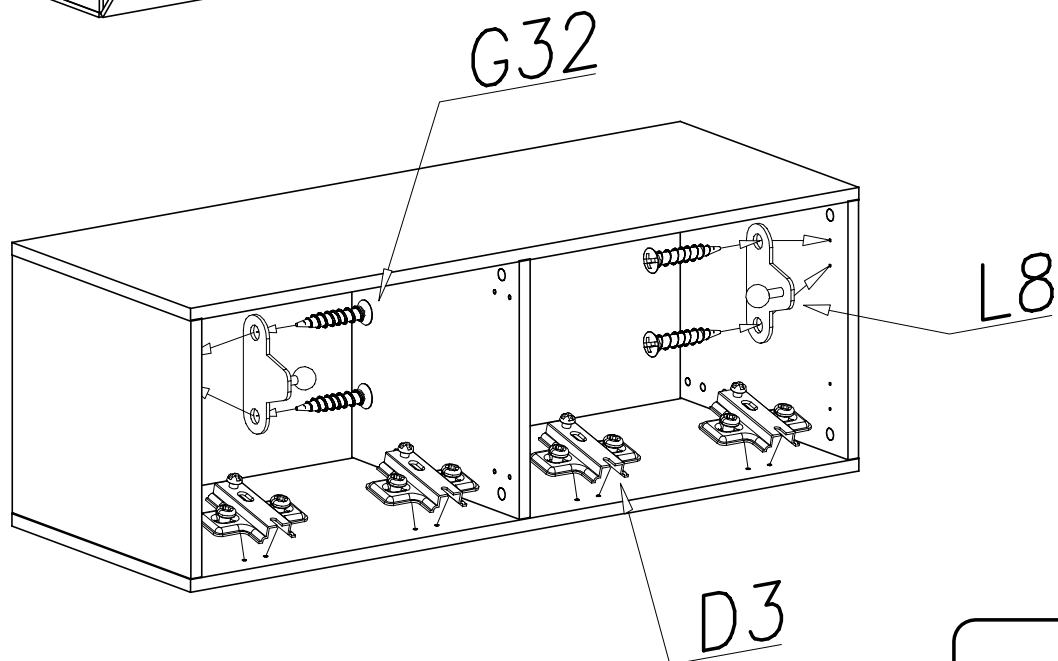
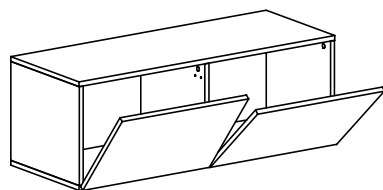


# VIII

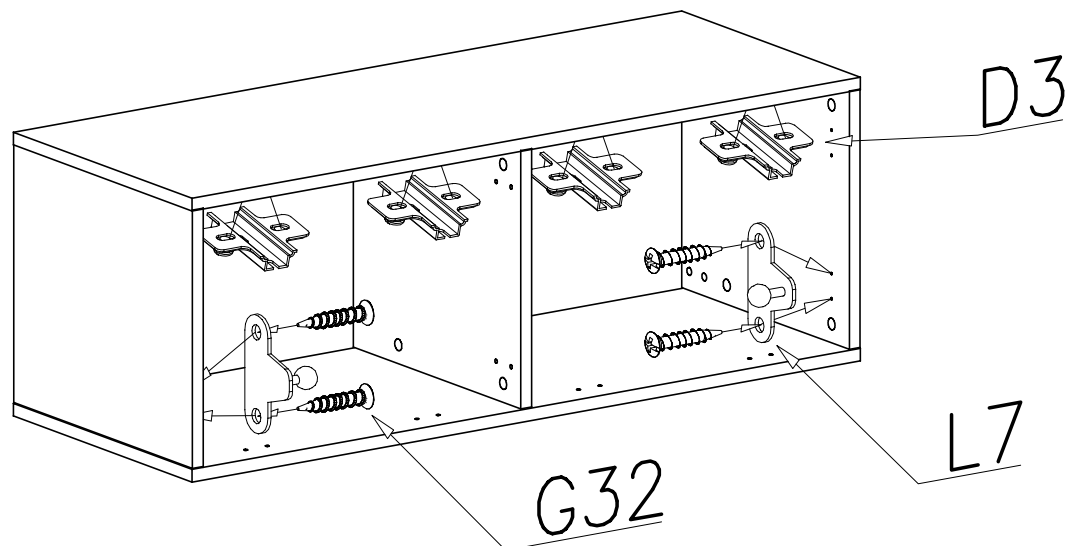
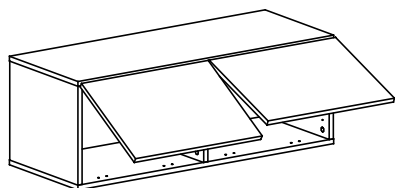


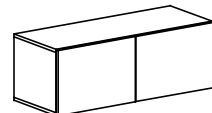


IX

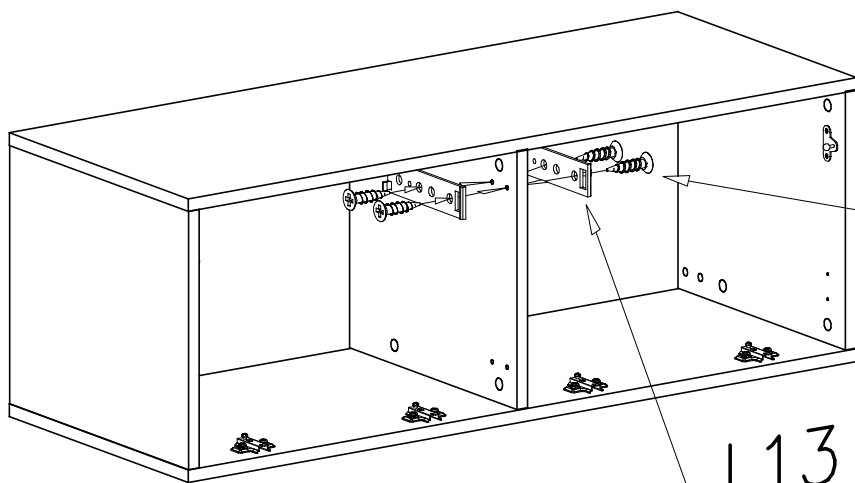
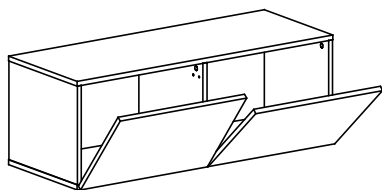


IX





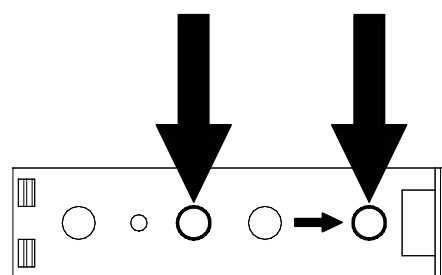
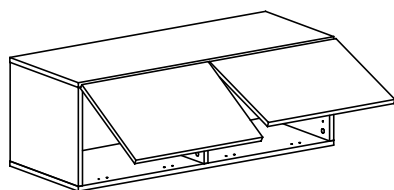
X



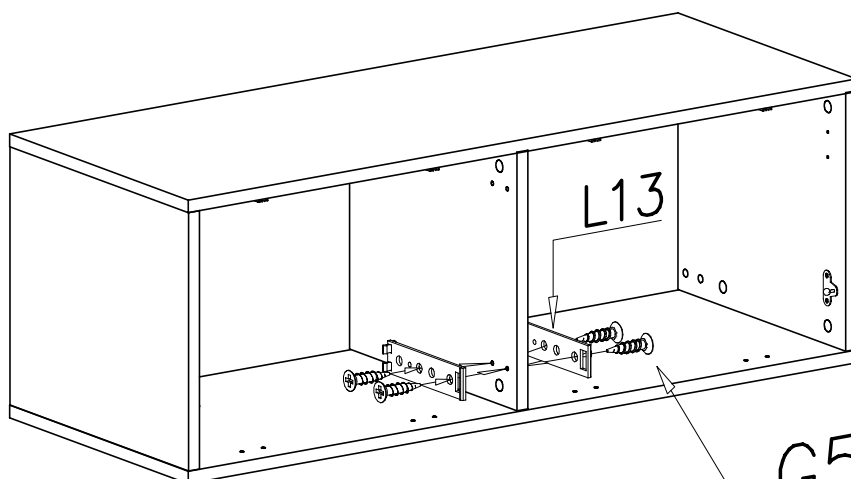
G57

L13

X

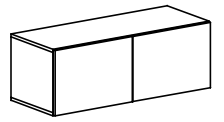


front

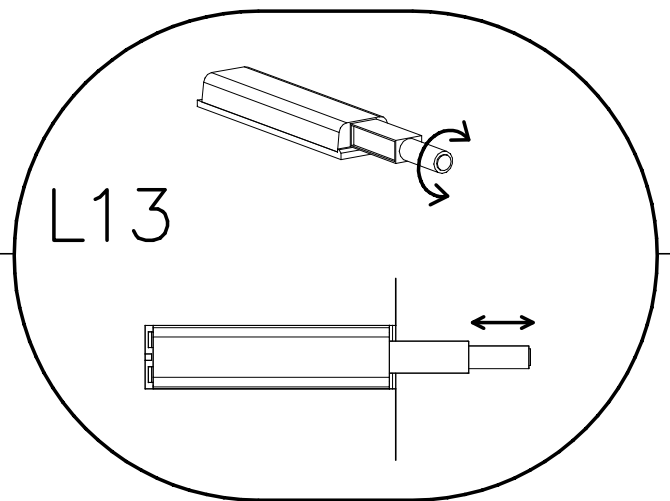
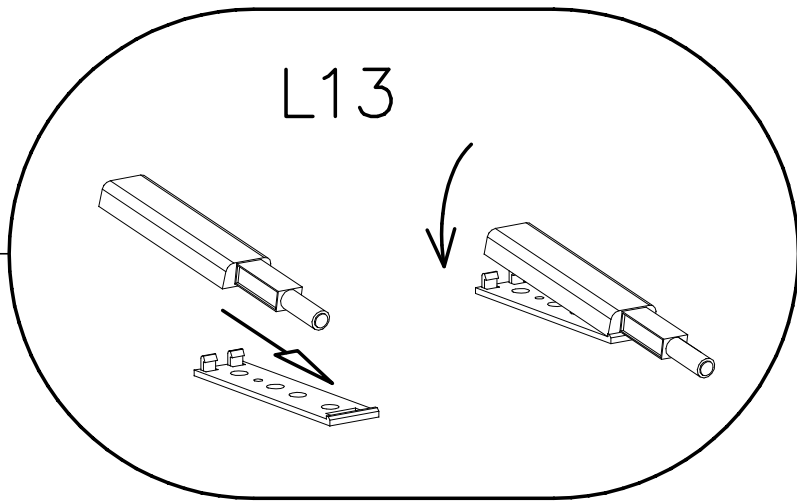
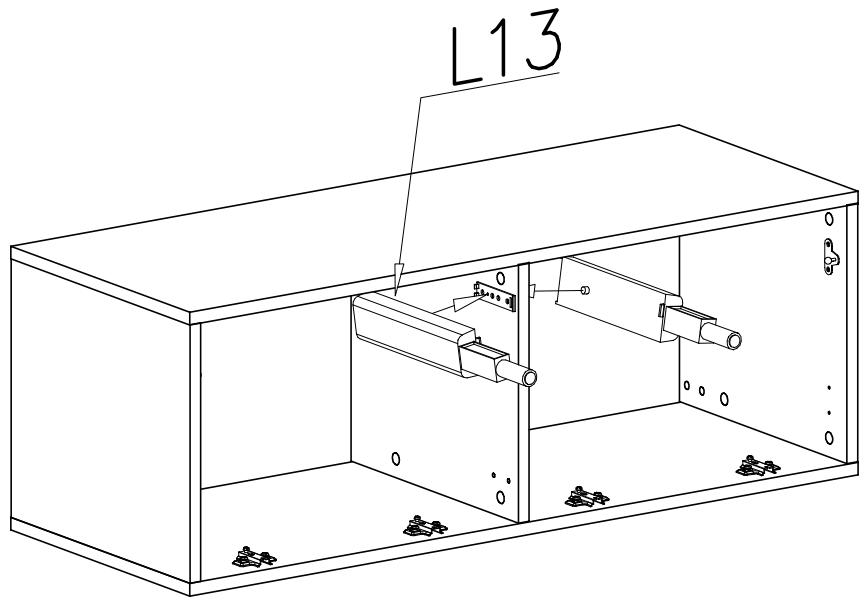
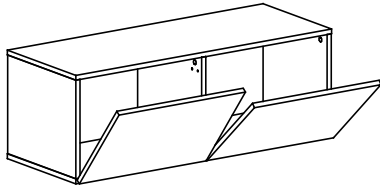


L13

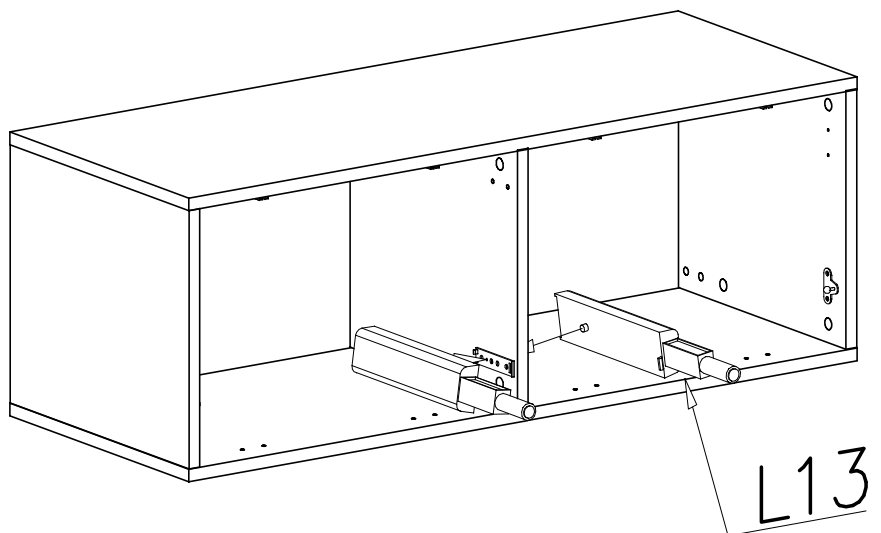
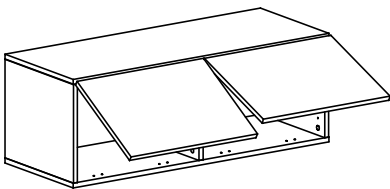
G57

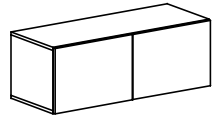


XI

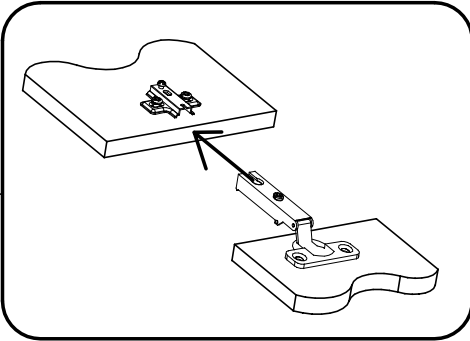
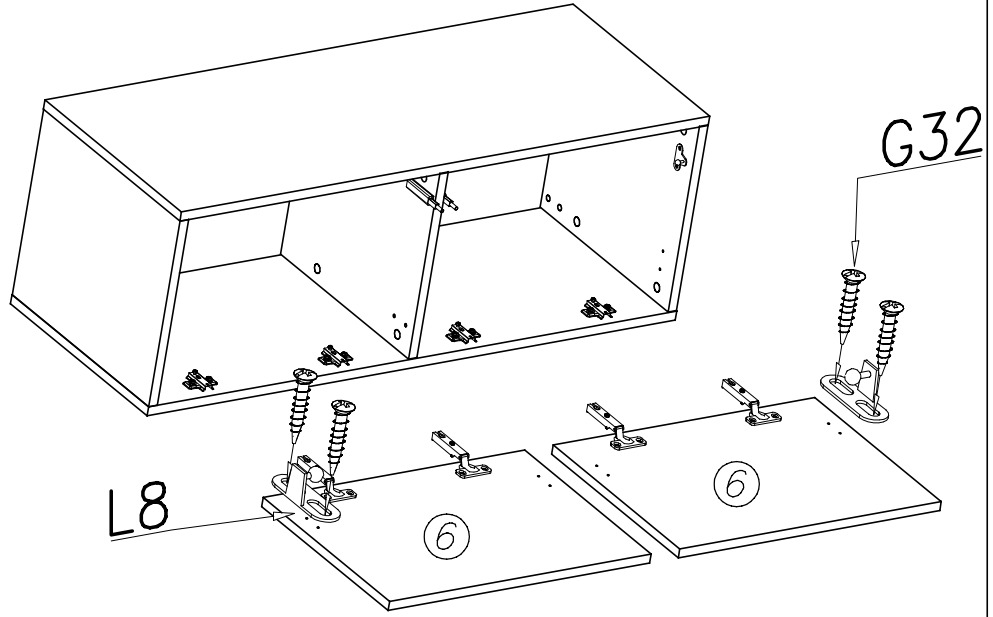
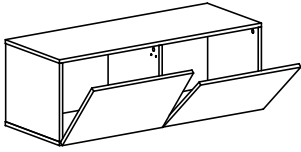


XI

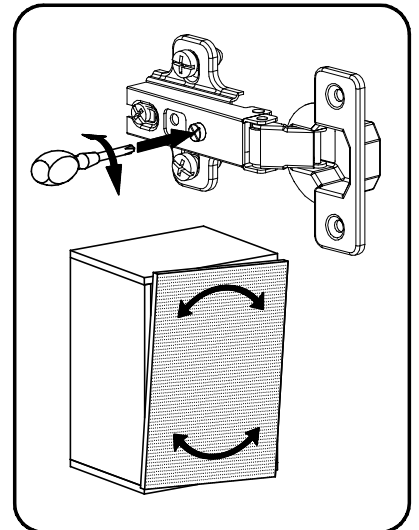
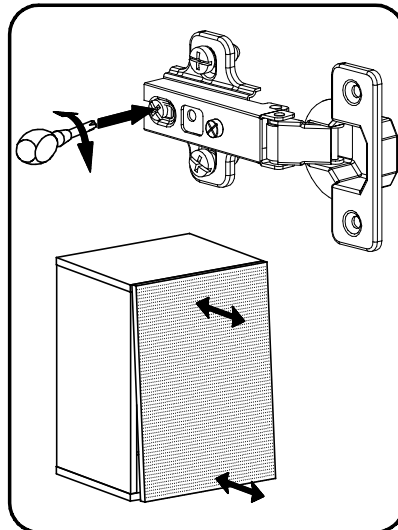
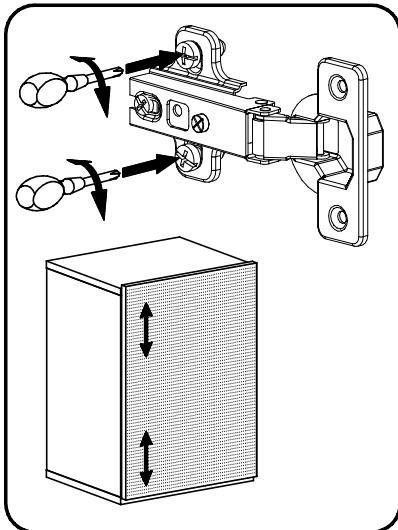
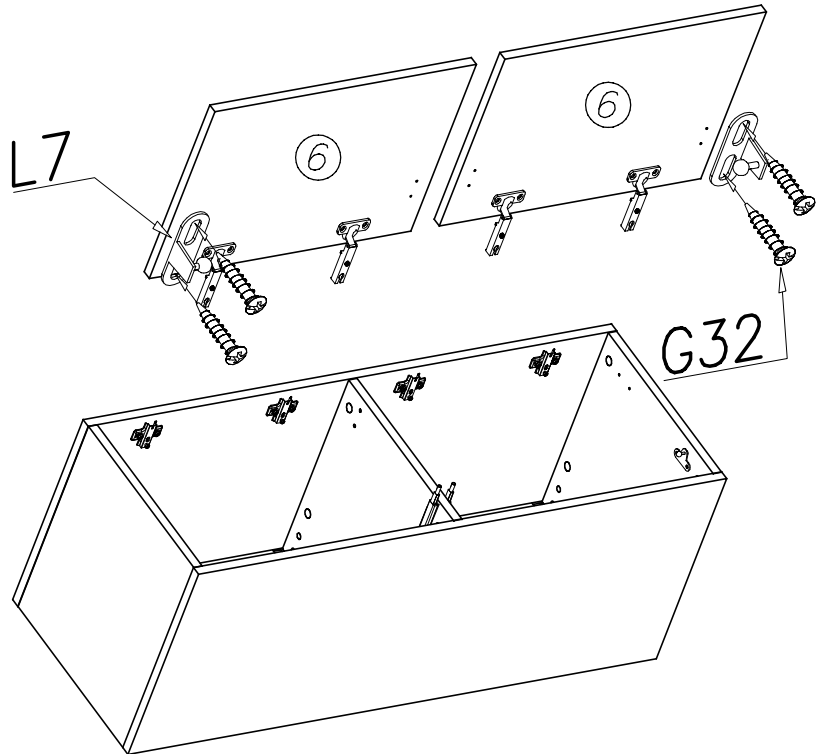
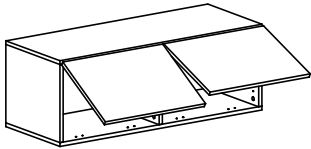


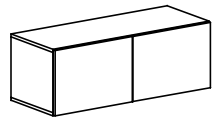


XII

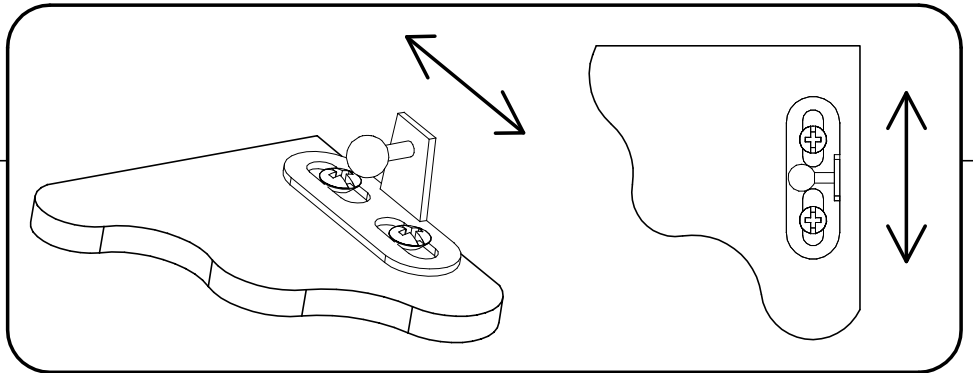
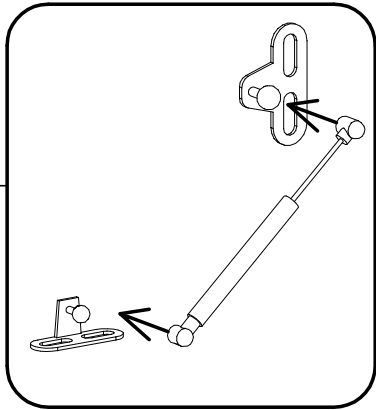
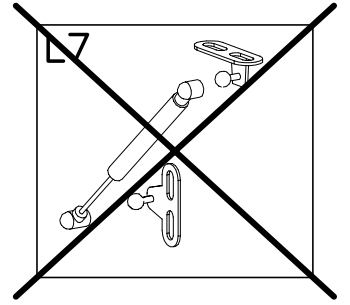
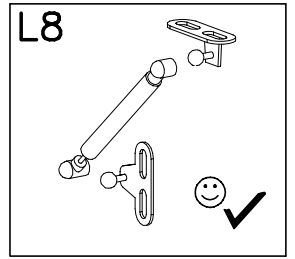
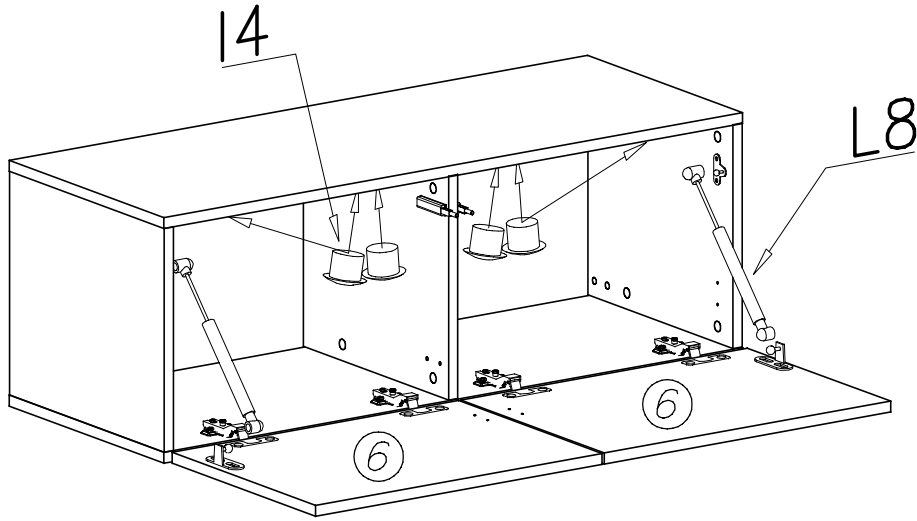
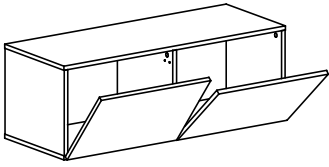


XII

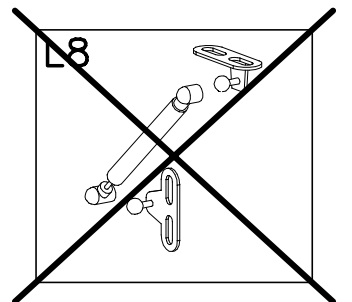
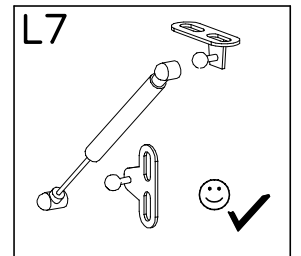
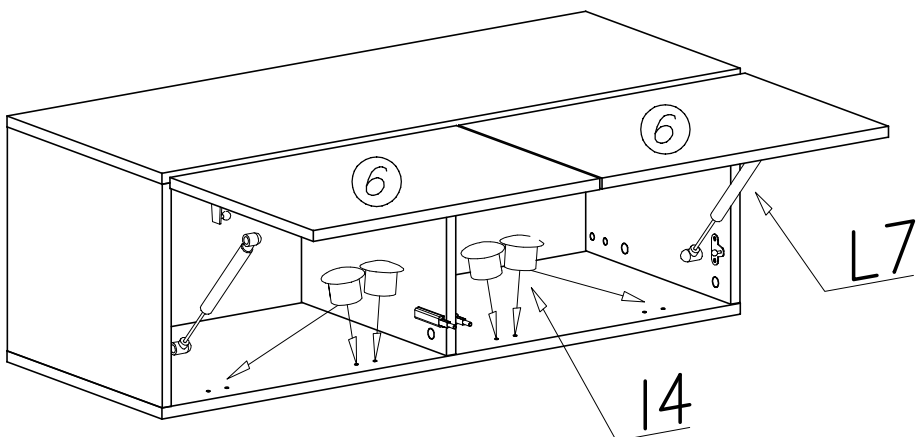
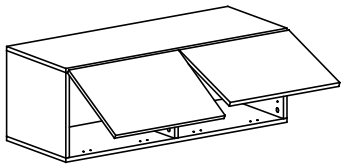


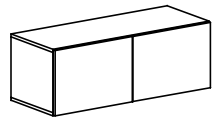


# XIII

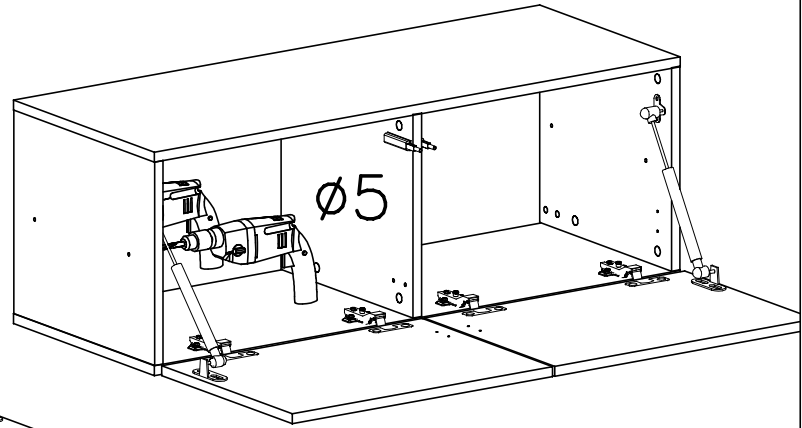
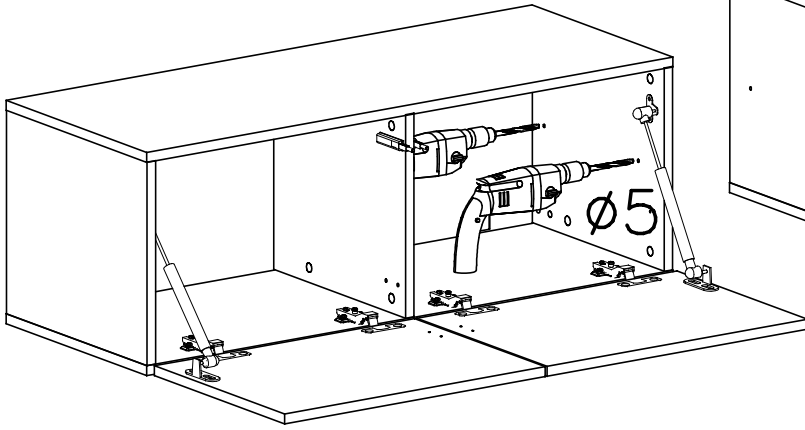
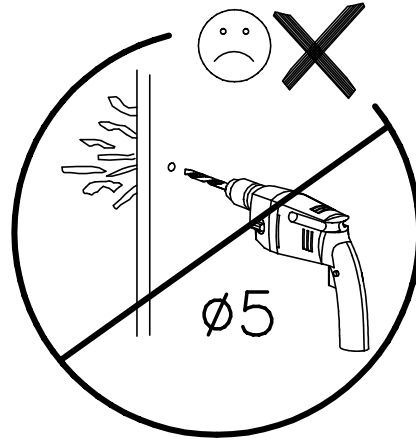
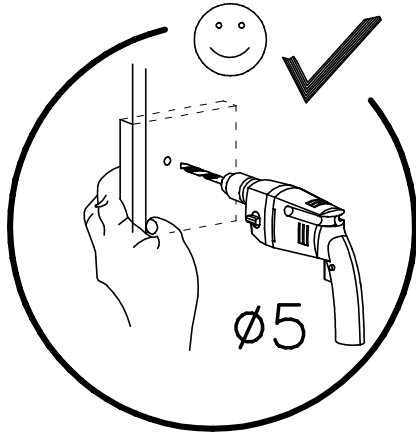


# XIII





# XIV



# XV

