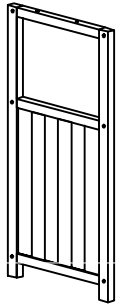
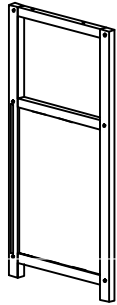


Assembly Instruction



Ax1



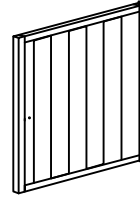
Bx1



Cx1



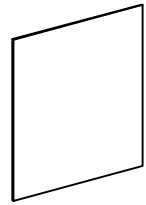
Dx1



Ex1



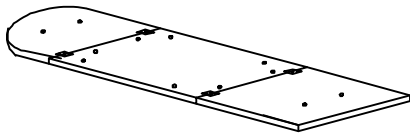
Fx2



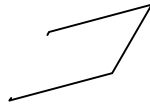
Gx1



Hx2



Ix1



Jx2



Kx12



Lx12



Mx1

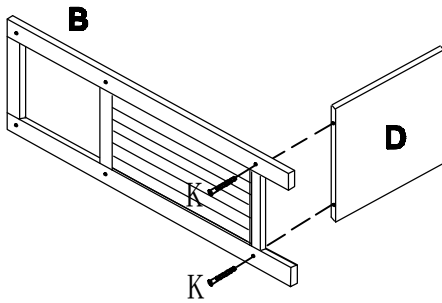


Nx1

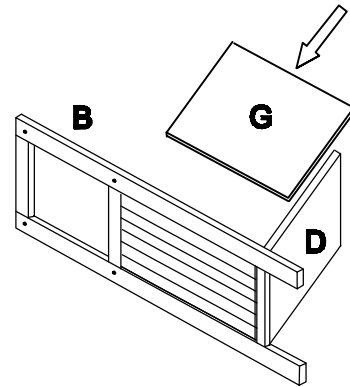


Ox2

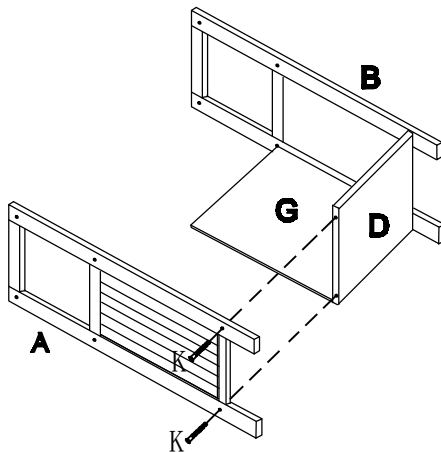
(1)



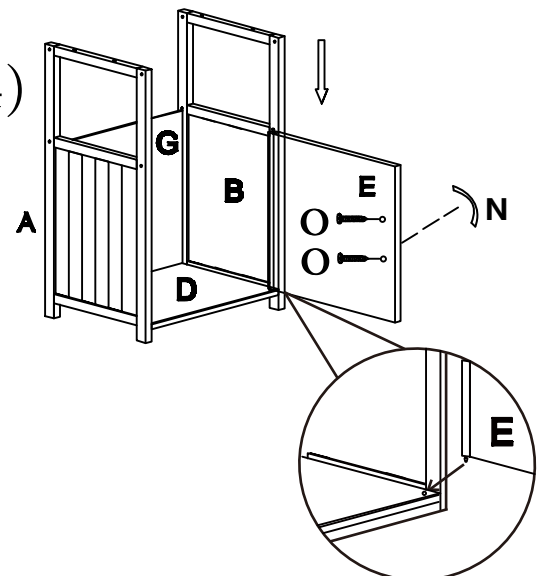
(2)



(3)

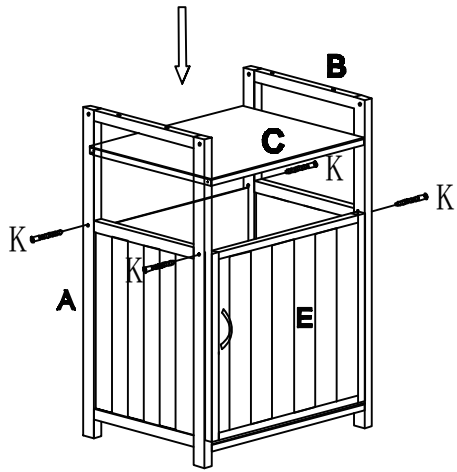


(4)

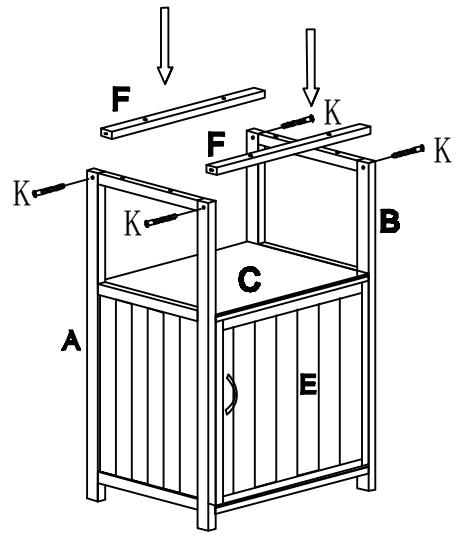


Flip the step 2 and install part A.

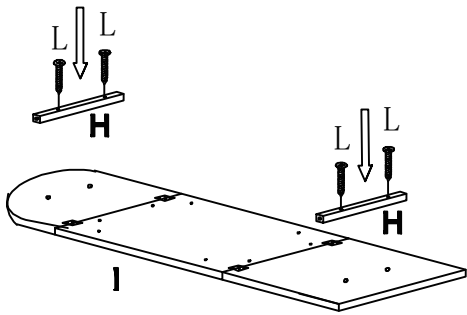
(5)



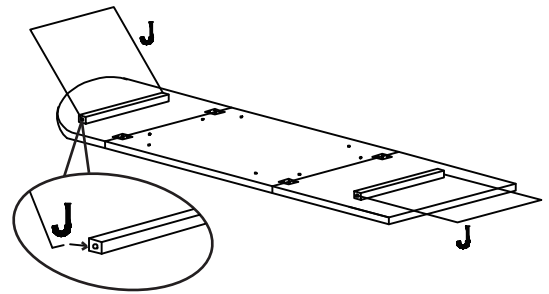
(6)



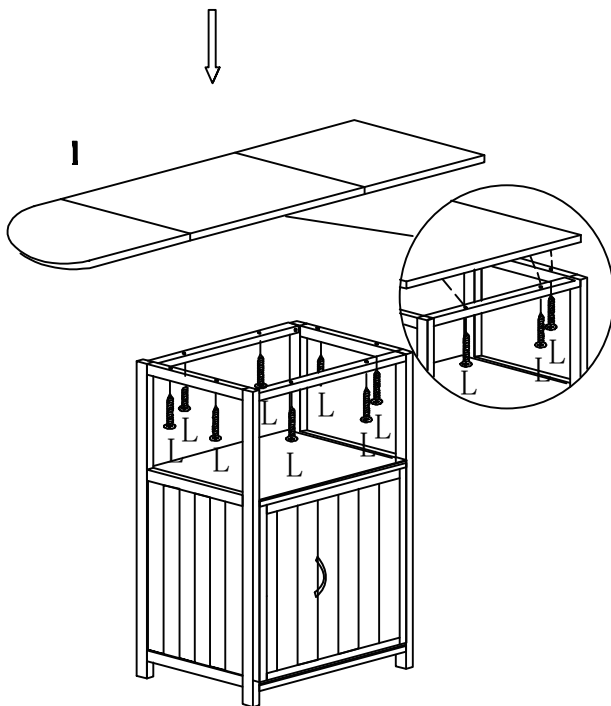
(7)



(8)



(9)



(10)

