



NGALA
TRADING

BACK2BACK LIGHT

Crafted with Telewire, a versatile material rich in history. Zulu watchmen used it to express their artistic vision while safeguarding their community. These intricate creations showcase the adaptability and ingenuity of its creators.

All hard-wired lighting is UL-listed for dry locations. Not suitable for outdoor use. 9' of cord supplied with each pendant.

MATERIALS AND CONSTRUCTION

Telewire

DIMENSIONS

8" Dia. x 15" H

CEILING CANOPY

5" Dia.
Black

CORD

1 x 9' L
Black Cotton Covered

WEIGHT

Approximately 10 LBS

BULB SPECIFICATION (BULB NOT INCLUDED)

Type: LED only
Base: E26 (Standard Edison)
MAX Wattage per bulb: 7w LED
Number of bulbs required: 1

MANUFACTURER

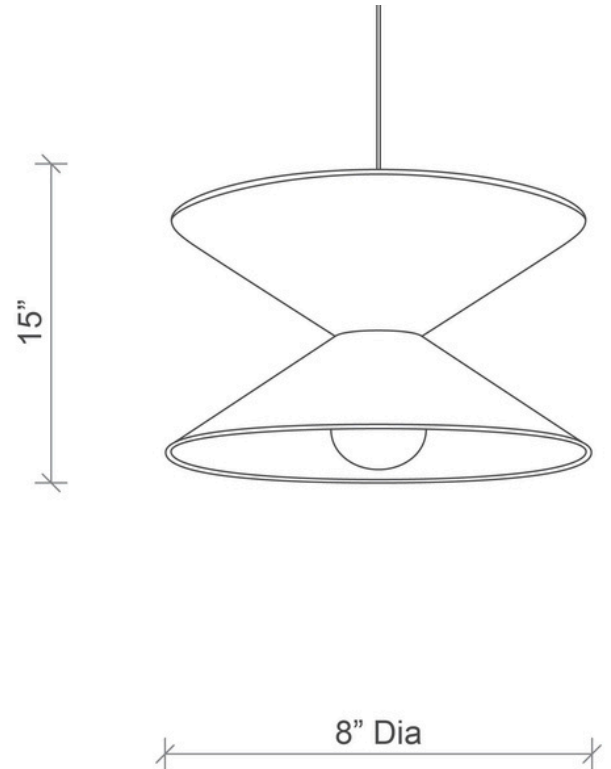
ASHT
DESIGN STUDIO





SPECS

8" DIA X 15" H



SHIPPING AND DELIVERY

- Durably wrapped and boxed
- Natural finish stocked and available for immediate delivery
- Back-order / Special-order items available for domestic shipping 12-14 weeks from receipt of deposit
- Ships via ground carrier

INSTALLATION AND CARE

- Chandelier arrives ready to hang hardwired into standard 4" x 4" junction box.
- Refer to installation instructions for full details.

Due to the handmade nature of production methods and the use of natural materials, each product may vary slightly in bead and draw cord coloring.