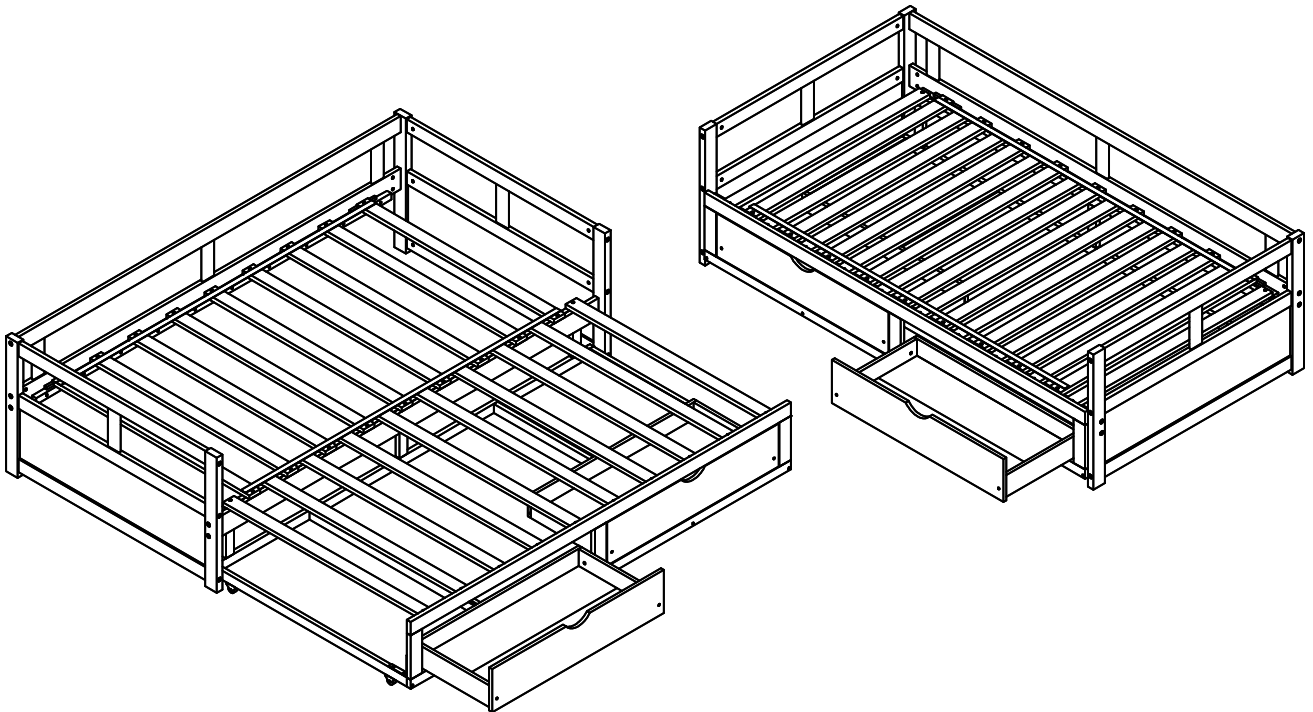
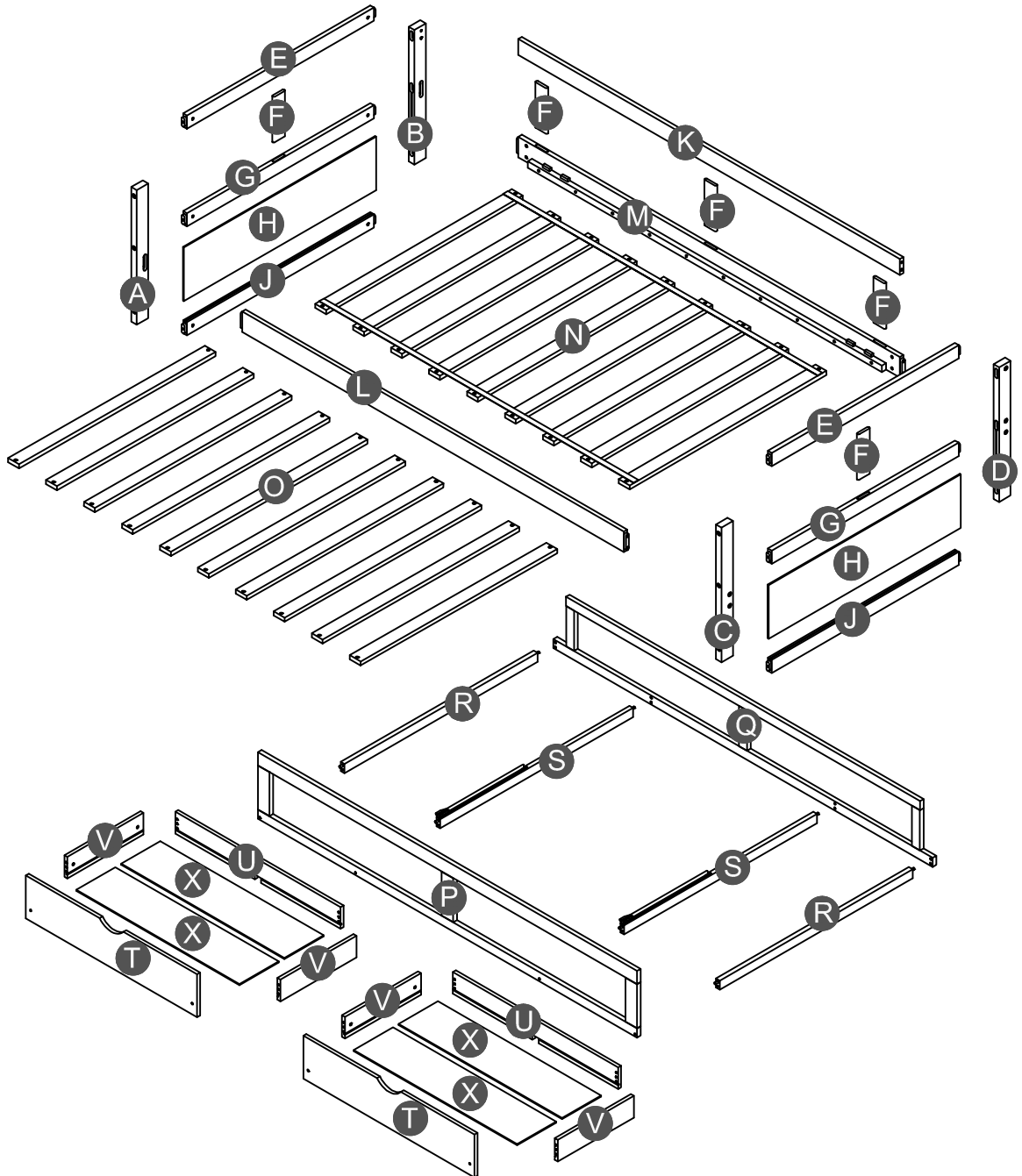


ASSEMBLY INSTRUCTIONS

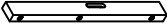

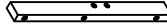

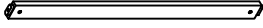
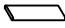

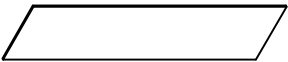


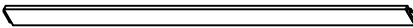

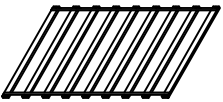



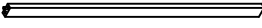

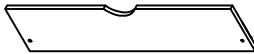

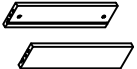
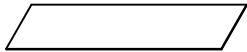
DAY BED WITH 2 DRAWERS










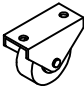




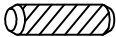
Detail View



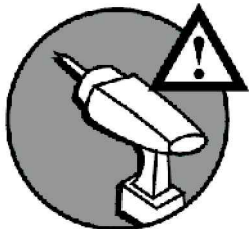
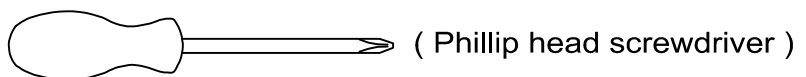
Part List

| | | |
|--|--|--|
| <p>A</p>  <p>Leg HB (Left)- 1pc</p> | <p>B</p>  <p>Leg HB (Right)- 1pc</p> | <p>C</p>  <p>Leg FB (Right)- 1pc</p> |
| <p>D</p>  <p>Leg FB (Left)- 1pc</p> | <p>E</p>  <p>Upper horizontal (HB&FB) - 2pcs</p> | <p>F</p>  <p>Center panel - 5pcs</p> |
| <p>G</p>  <p>Center horizontal (HB & FB)- 2pcs</p> | <p>H</p>  <p>Side panel (HB & FB)- 2pcs</p> | <p>J</p>  <p>Bottom horizontal (HB & FB)- 2pcs</p> |
| <p>K</p>  <p>Horizontal(back)- 1pc</p> | <p>L</p>  <p>Side rail (Front)- 1pc</p> | <p>M</p>  <p>Side rail (Back)- 1pc</p> |
| <p>N</p>  <p>Slat - 1set (9pcs)</p> | <p>O</p>  <p>Trundle Slat - (10pcs)</p> | <p>P</p>  <p>Trundle frame (Front)- 1pc</p> |
| <p>Q</p>  <p>Trundle frame (Back)- 1pc</p> | <p>R</p>  <p>Bottom horizontal side - 2pcs</p> | <p>S</p>  <p>Bottom horizontal center - 2pcs</p> |
| <p>T</p>  <p>Drawer front - 2pcs</p> | <p>U</p>  <p>Drawer Back - 2pcs</p> | <p>V</p>  <p>Drawer (Left & Right) - 4pcs</p> |
| <p>X</p>  <p>Drawer bottom - 4pcs</p> | | |

Hardware List

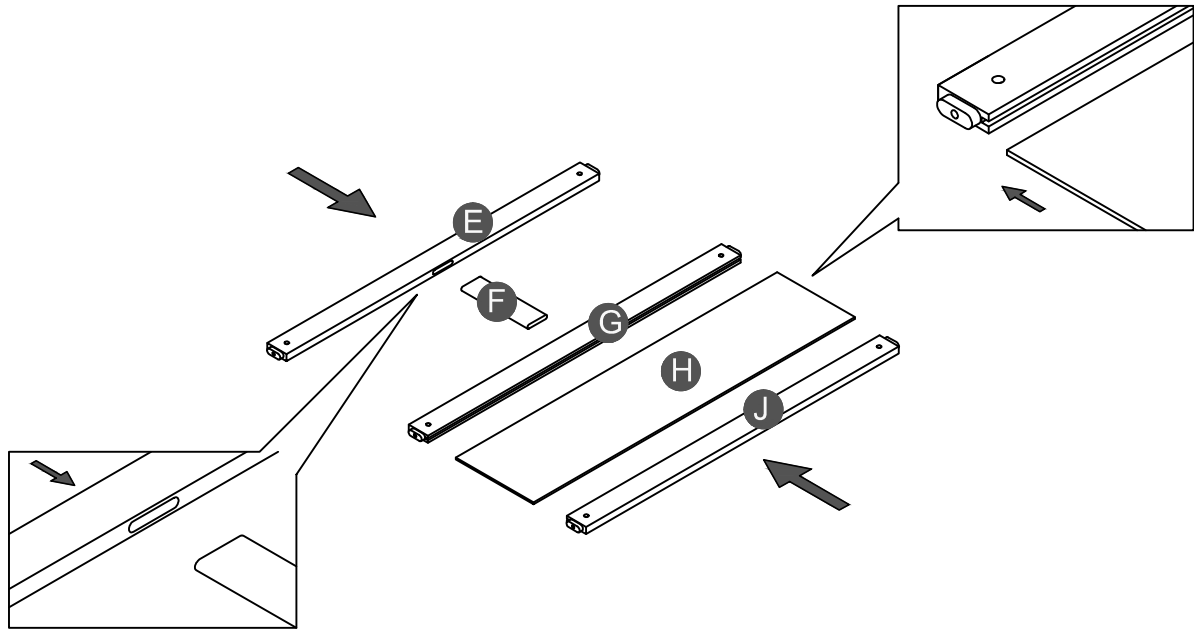
| | | |
|---|--|---|
| 1  Ø10*40mm Wood dowel (2pcs) | 2  (Ø15)1/4"*100mm Hex-Head bolts (12pcs) | 3  (Ø15)1/4"*80mm Hex-Head bolts (10pcs) |
| 4  (Ø12)1/4"*60mm Hex-Head bolts (16pcs) | 5  1/4"*15 (9.5mm) Horizontal-Hole bolts(38pcs) | 6  Ø4*30mm Wood screws (38pcs) |
| 7  (1/4")4.5*58mm Allen key (1pc) | 8  45*20*35 mm Wheels (4pcs) | 9  Ø3.5*19mm Wood screws (16pcs) |
| 10  400*30mm Upper slider drawer (2pcs) | 11  Ø3.5*12mm Wood screws (6pcs) | 12  95*95*18*3mm Metal bracket (2pcs) |
| 13  Ø8*30mm Wood dowel (16pcs) | | |

ASSEMBLY TOOLS REQUIRED (NOT INCLUDED)





DO NOT USE POWER TOOLS TO ASSEMBLE THIS PRODUCT !

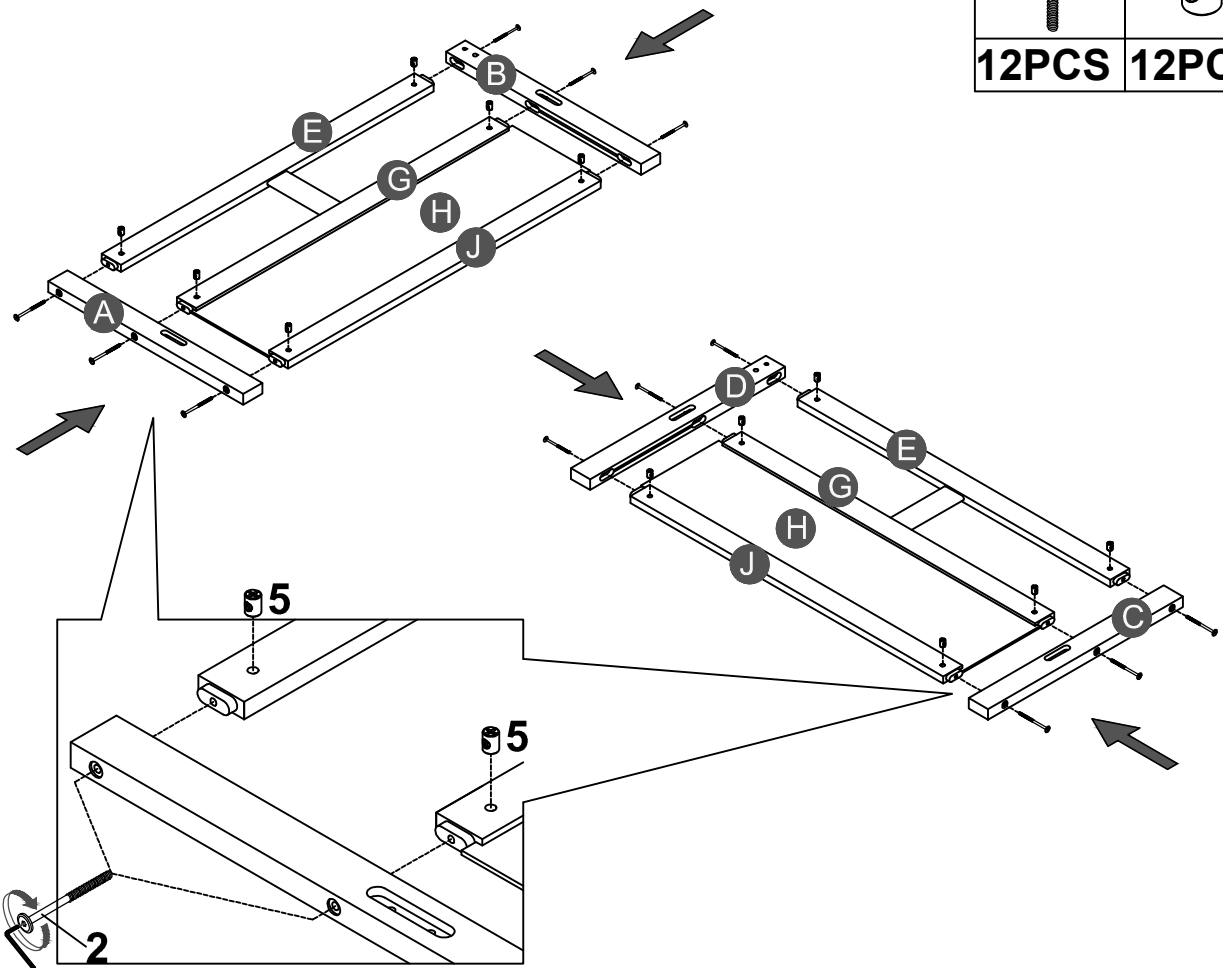
STEP 1:



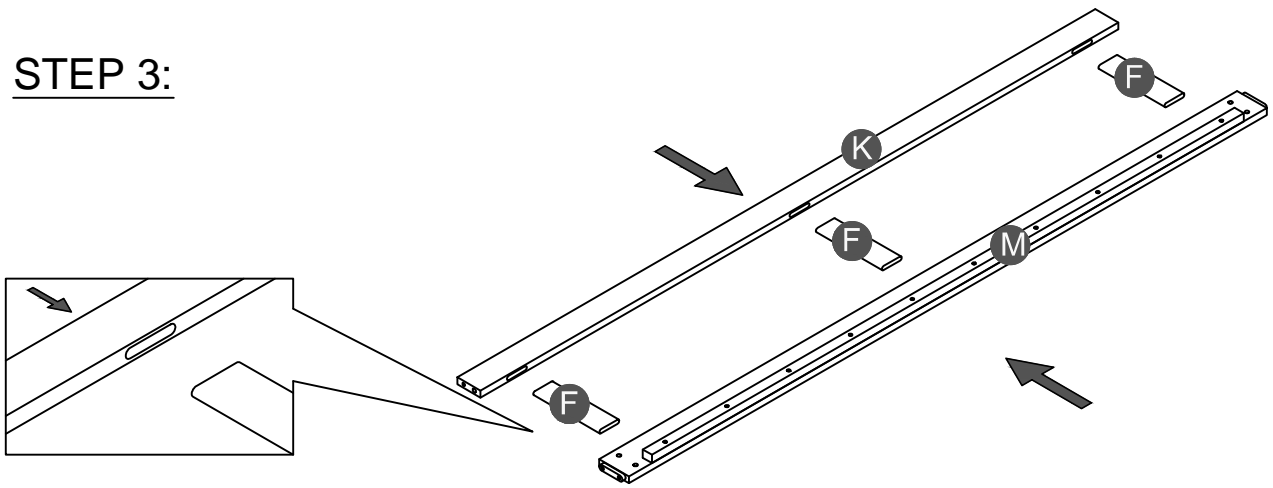
x 2

STEP 2:

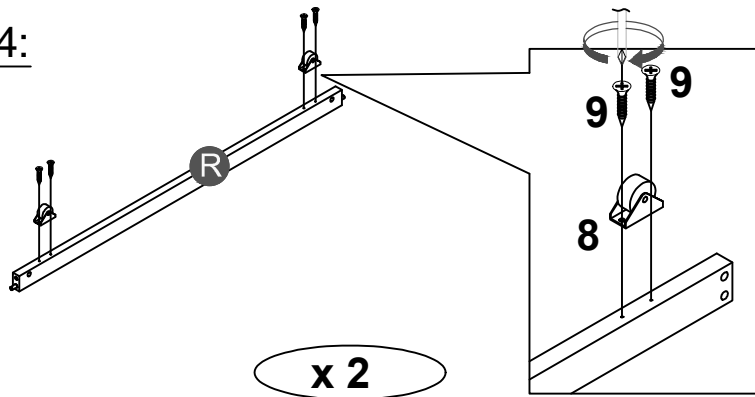
| | | | |
|--------------|--|--------------|--|
| 2 |  | 5 |  |
| 12PCS | | 12PCS | |





STEP 3:

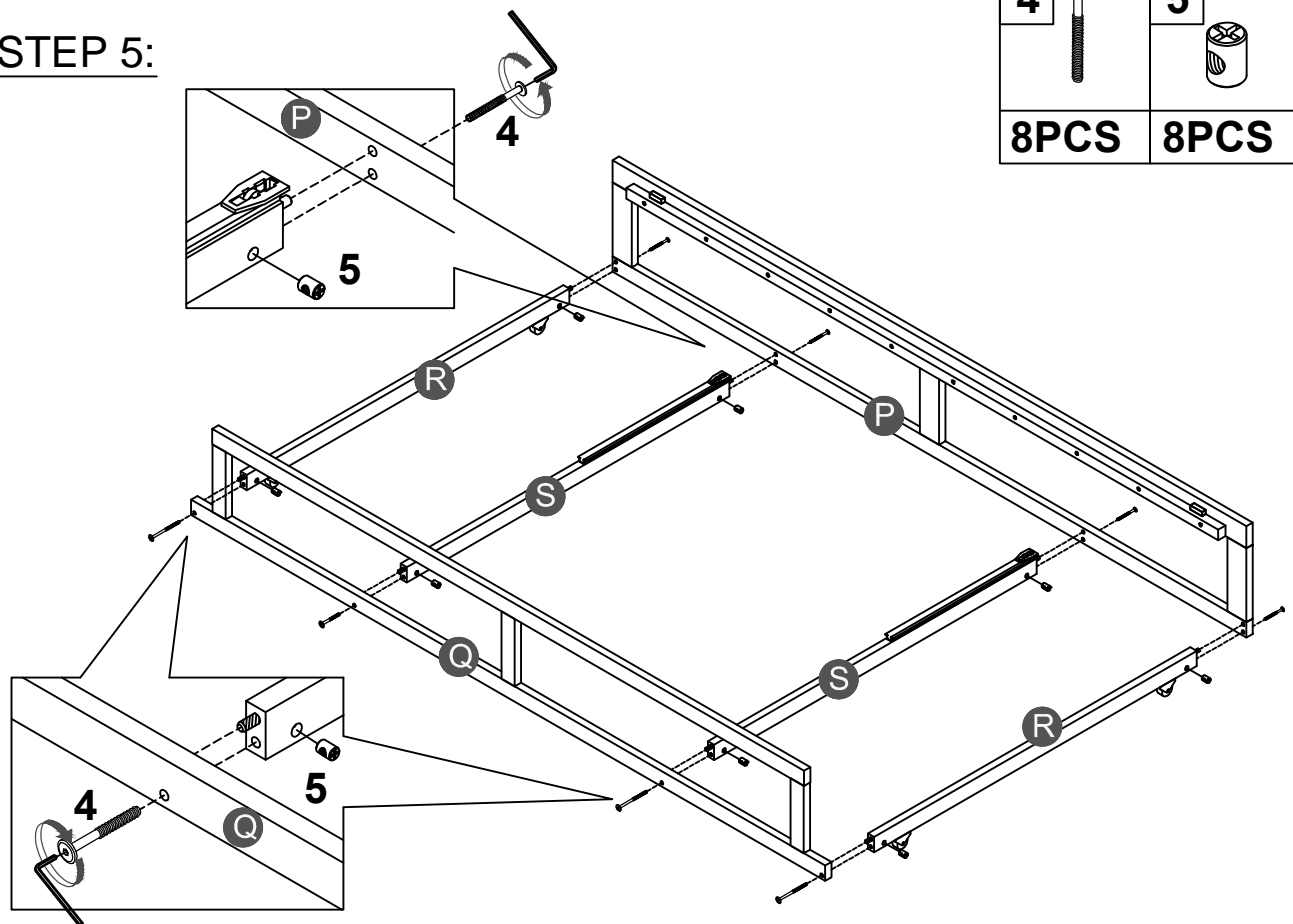




STEP 4:





| | |
|---|---|
| 8 | 9 |
|  |  |
| 4PCS | 8PCS |

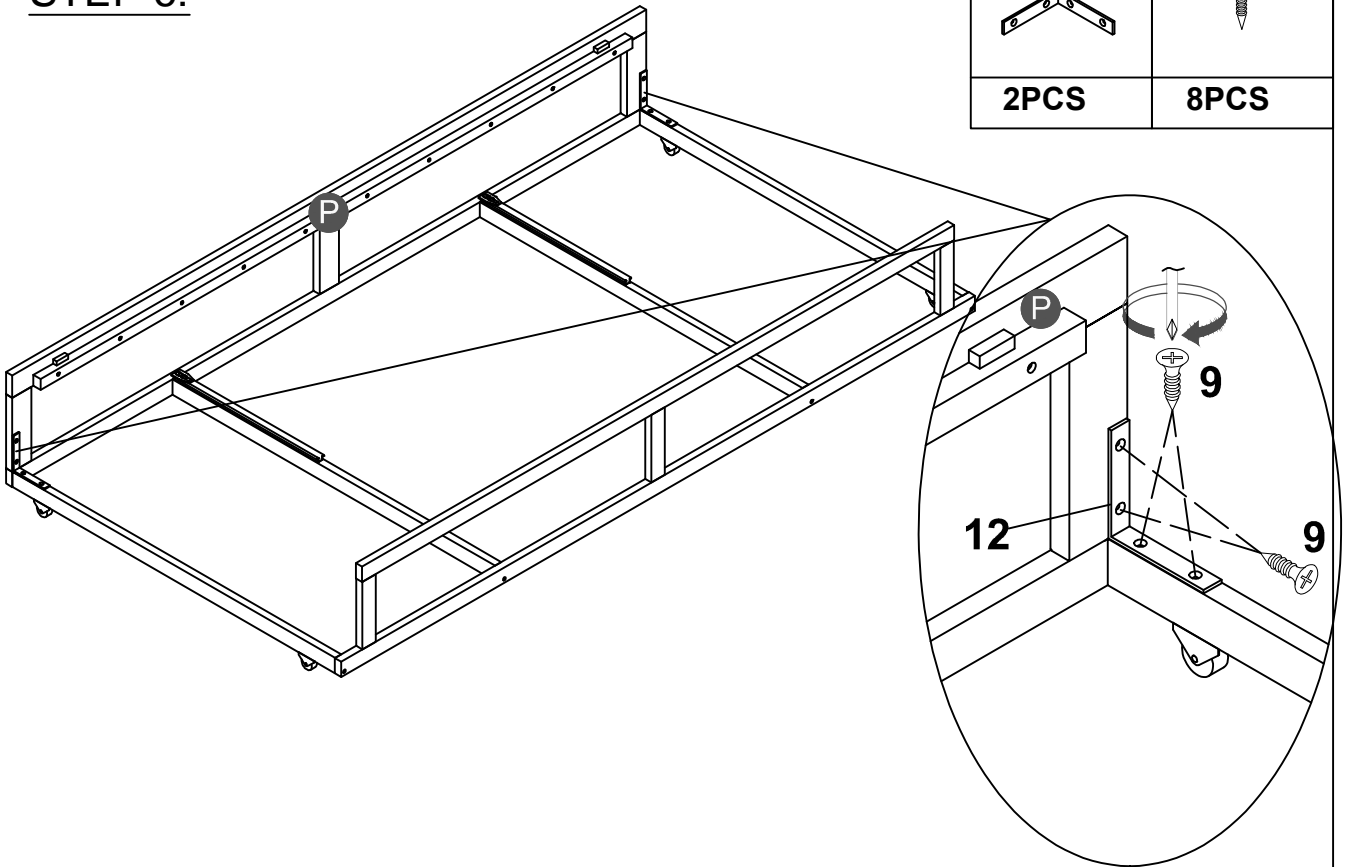
STEP 5:






| | |
|---|---|
| 4 | 5 |
|  |  |
| 8PCS | 8PCS |

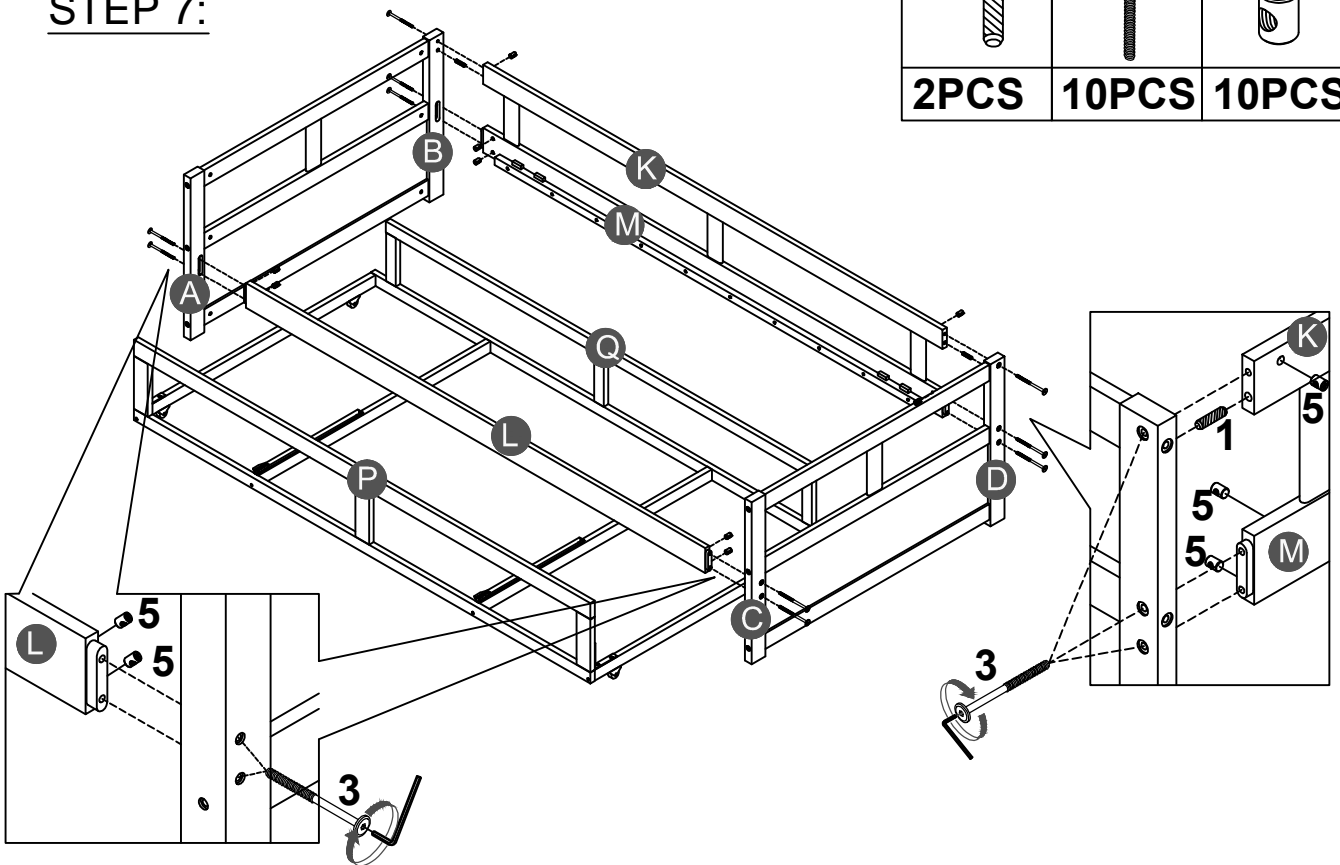
STEP 6:

| | |
|---|---|
| 12 | 9 |
|  |  |
| 2PCS | 8PCS |

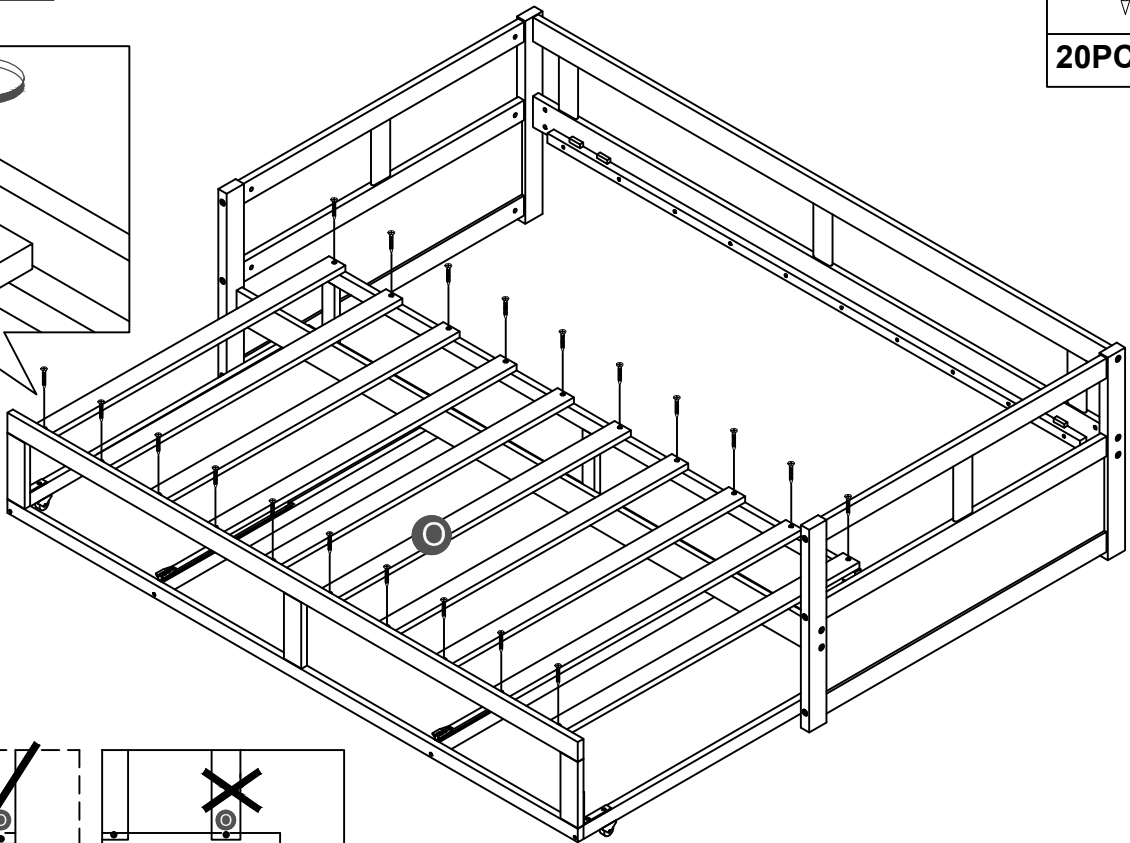
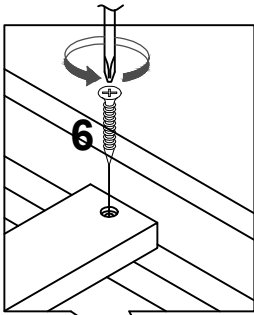


STEP 7:

| | | |
|---|---|---|
| 1 | 3 | 5 |
|  |  |  |
| 2PCS | 10PCS | 10PCS |



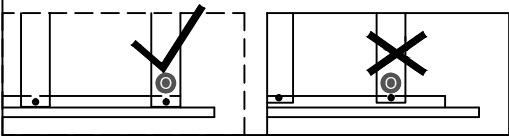
STEP 8:



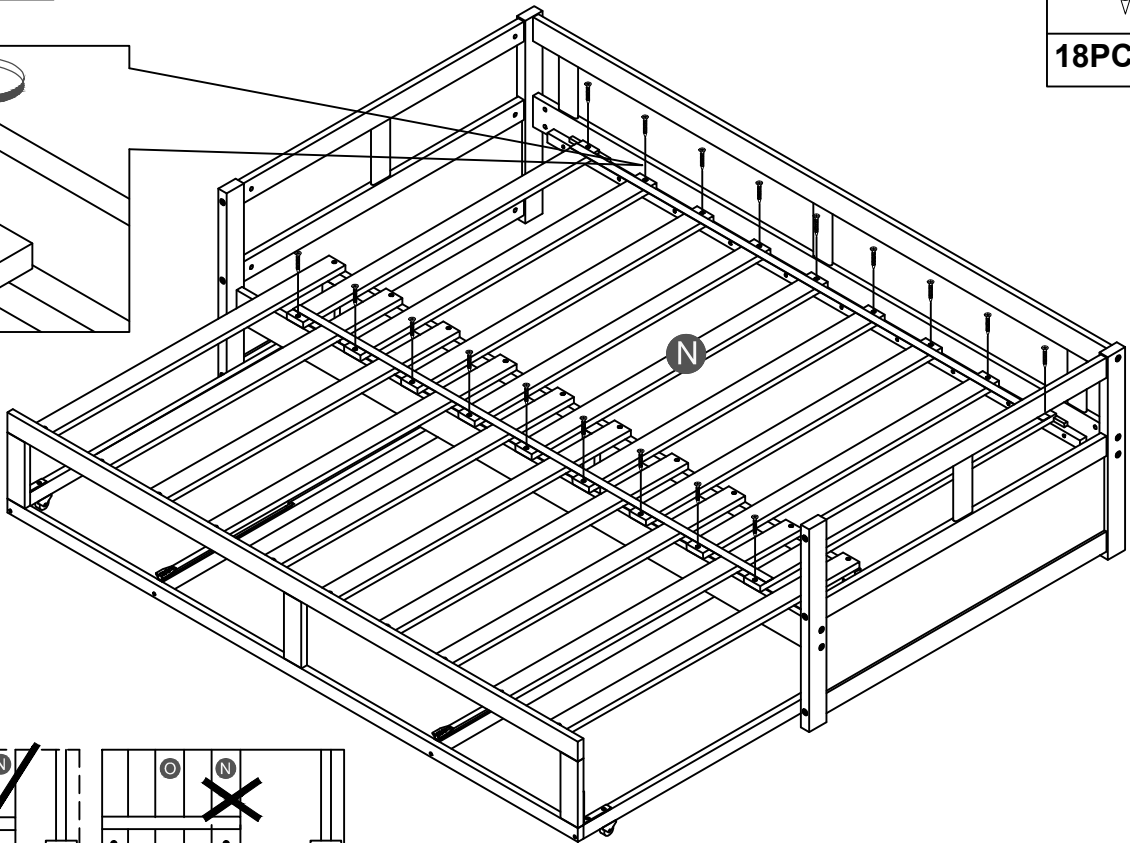
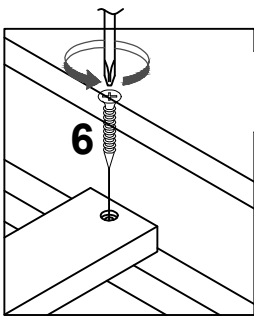
6



20PCS



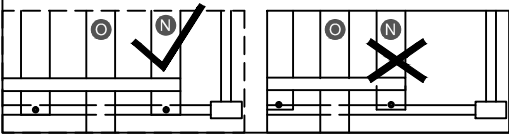
STEP 9:



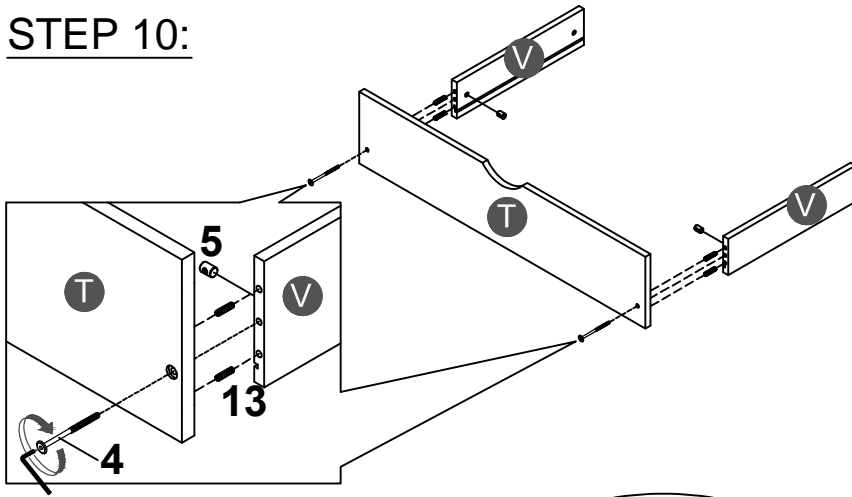
6



18PCS



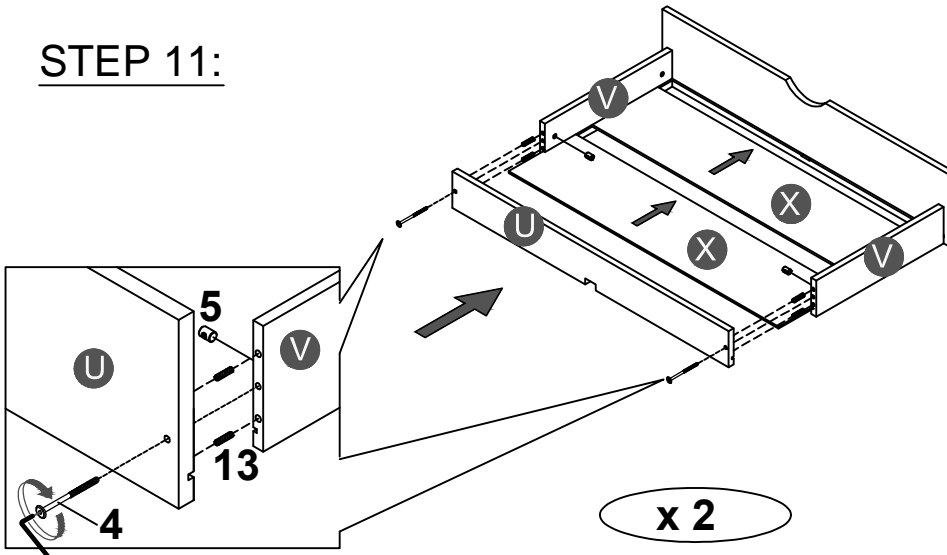
STEP 10:



x 2

| | | | |
|-------------|--|-------------|--|
| 13 | | 5 | |
| 8PCS | | 4PCS | |
| | | 4 | |
| | | 4PCS | |

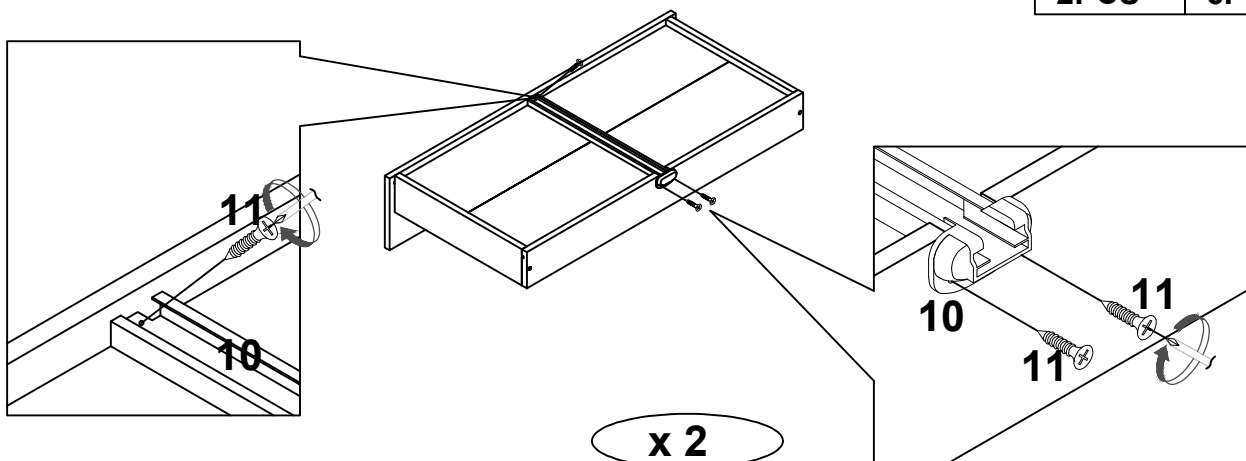
STEP 11:



x 2

| | | | |
|-------------|--|-------------|--|
| 13 | | 5 | |
| 8PCS | | 4PCS | |
| | | 4 | |
| | | 4PCS | |

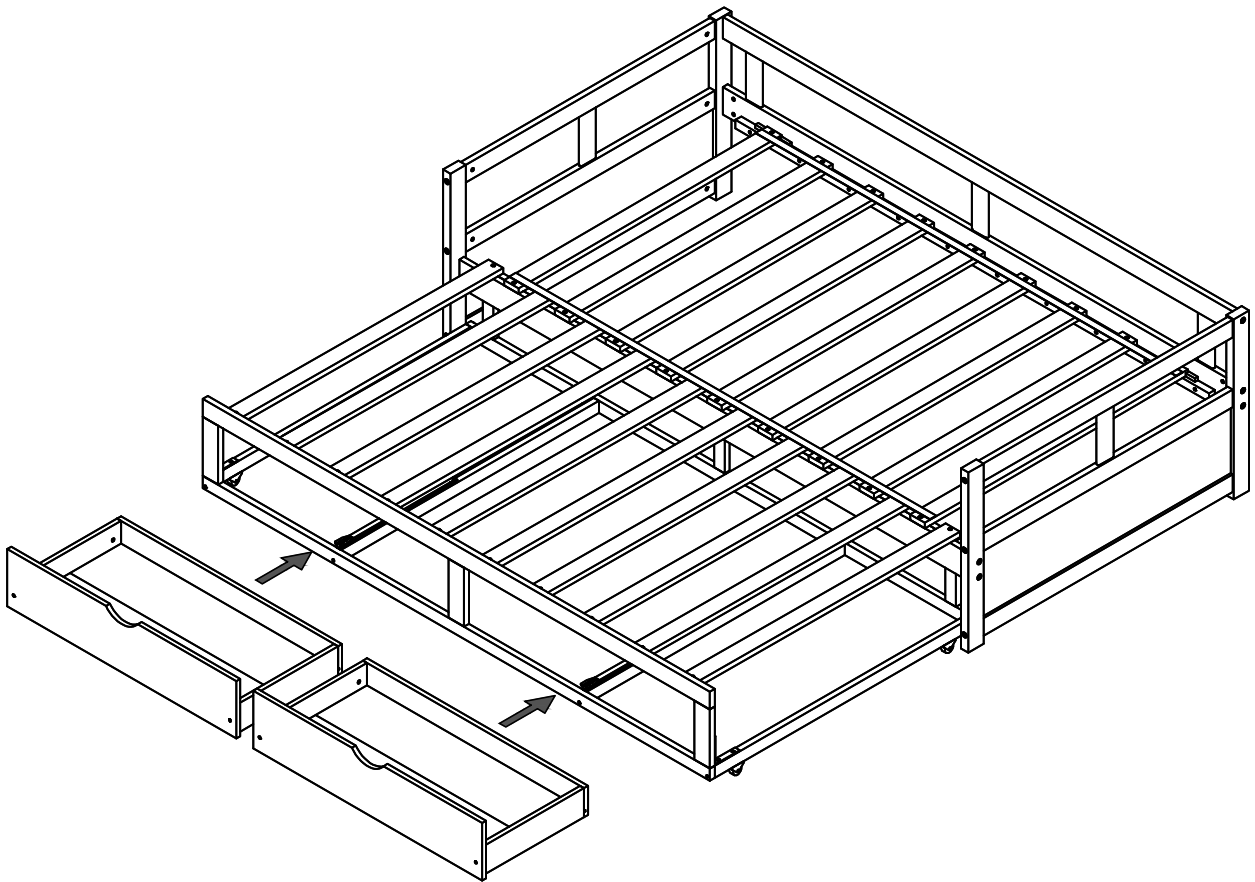
STEP 12:



x 2

| | | | |
|-------------|--|-------------|--|
| 10 | | 11 | |
| 2PCS | | 6PCS | |

STEP 13:



Push Drawer under the bottom of Trundle

