

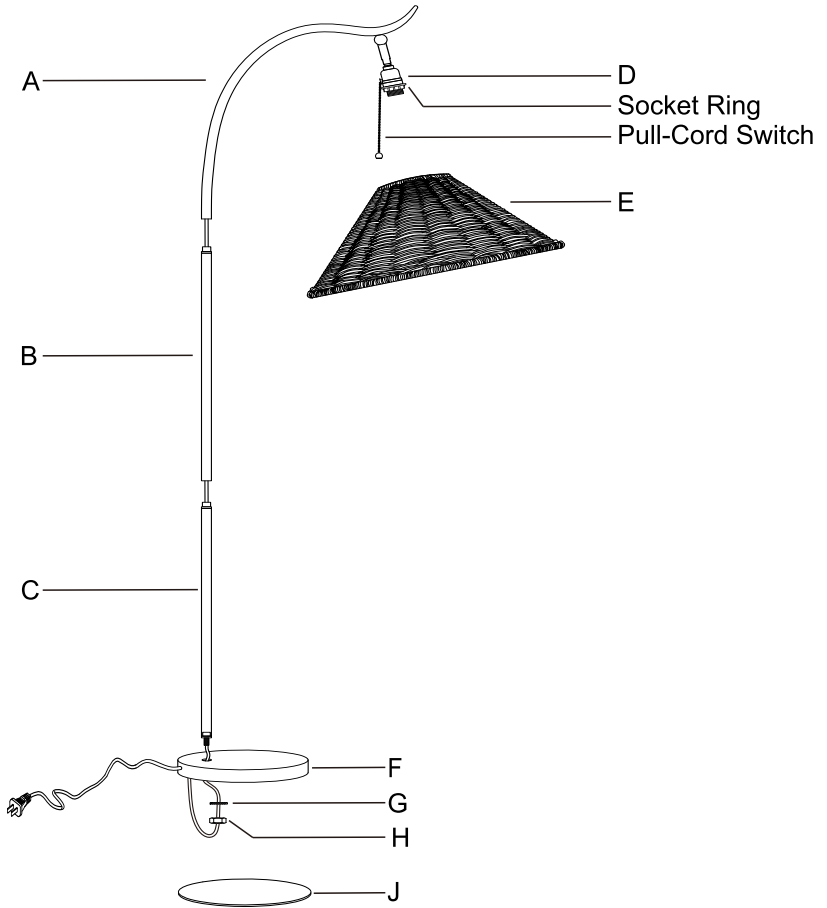
INSTALLATION MANUAL

FLOOR LAMP



Model No.: QLF005BL-1A



PACKING LIST



Installation Kit

K  Gloves	1x	L  Wrench	1x
--	----	--	----

NOTE:

The listed quantity is for installation, extra hardware may be included.

Installation Instructions

1. Install Tube and Base

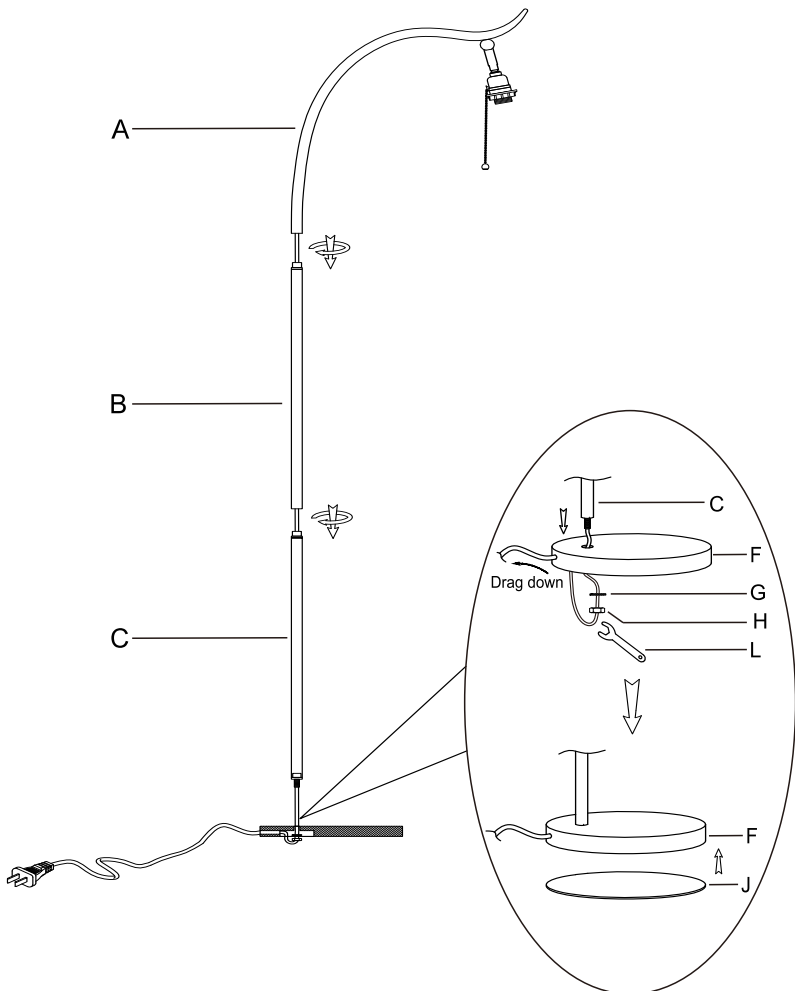
Step 1: Please take out all of the lamp parts from the package.

Step 2: Please install the tube in the following order A-B-C.

Step 3: Carefully pull the excess power cord from the base, allowing the lower end screw of the lamp tube (C) to pass through the base (F).

Step 4: Use a wrench (L) to secure the lamp tube (C) to the base (F) with the nut (H) and washer (G).

Step 5: Peel off the protective film covering the adhesive backing (J) to expose the adhesive layer, then apply it to the base (F) for slip resistance.



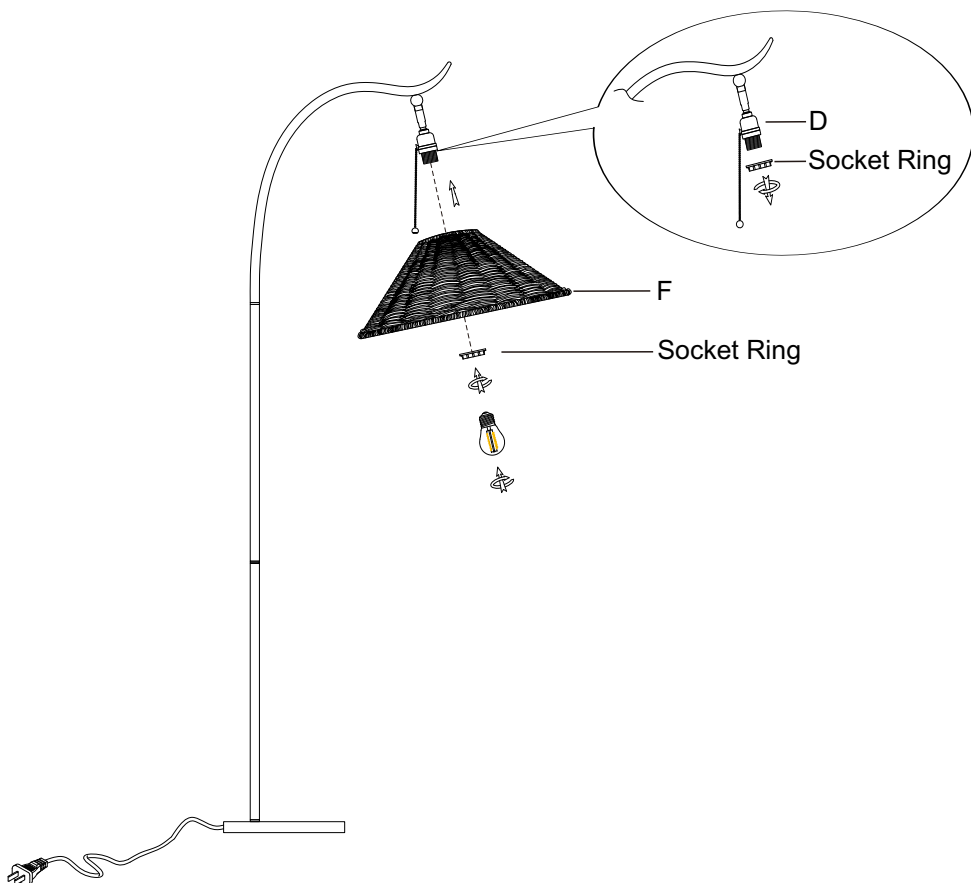
2. Install Shade and Bulb

Step 1: Remove the socket ring from the socket (D).

Step 2: Attach the shade (E) to the socket (D). Secure it with the socket ring.

Step 3: Install the Bulb (E26, Max 60W, not included).

NOTE: Pull-cord switch, close to the lamp head. Exercise caution.



Note:

1. The illustrated bulb is recommended and compatible alternatives may be selected as needed.
2. To achieve dimming functionality, you need to use dimmable bulbs and a dimmer switch.
3. For bulbs with color temperature control, repeatedly switch “on” and “off” using the pull-cord switch to change settings.
4. Pull-cord switch, close to the lamp head. Exercise caution.

Trouble Shooting

1. Missing / Broken Parts

- Make a list of the missing / broken parts according to the packing list, take photos for broken parts, then email us for free replacements.

2. Bulbs Do Not Light Up

- Check your power and switch to make sure it's power on.
- For regular bulbs, make sure it is connected to the ON / OFF pull-cord switch.
- Replace the bulb with a new one.

3. Bulbs Flicker

- If it is a dimmer switch, use a dimmable bulb.
- Replace the bulb with a new one.

4. Could Not Install / Assemble

- Take photos of the floor / fixture, contact seller for technical support.

Clean And Care

To clean, wipe the fixture with a soft cloth. Spraying from chemical cleaners can discolor the finish of the fixture.

Do not use scouring pads, powders, steel wool, or abrasive paper to clean this fixture.

Ordering Parts

Keep this manual for future reference, and in case replacement parts are needed. Available parts can be ordered from the place of purchase. Use exact wording from diagrams when ordering parts.