

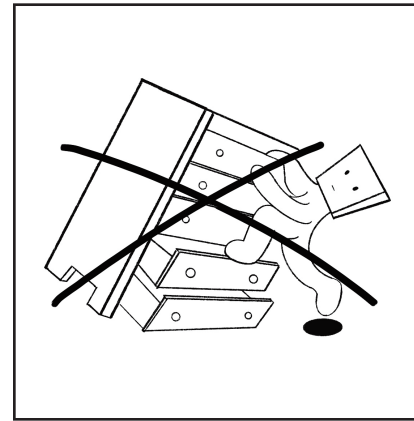
# ASSEMBLY INSTRUCTION



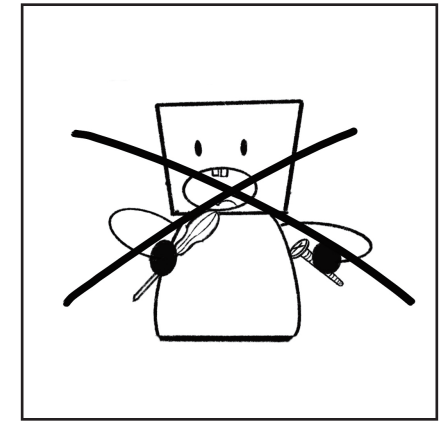
# Disclaimer

Use of this product constitutes acceptance of this disclaimer. Please read the following terms carefully:

- The product is guaranteed to be safe under normal use or foreseeable misuse.
- This furniture is designed for indoor household use only. Any improper modification, or use beyond the specified weight capacity (see product manual) shall void this disclaimer, and the manufacturer shall not be liable for any damage or injury arising therefrom.
- Regular wear and tear (e.g., fabric fading, minor hardware loosening) due to normal use is not considered a quality defect.
- The manufacturer shall not be responsible for damages caused by improper transportation, storage, or natural disasters (e.g., fire, earthquake).



**DO NOT CLIMB OR HANG**



**DO NOT PLAY WITH OR SWALLOW SMALL PARTS**



**(1) DO NOT stand or jump on the chair.**

**(2) Children should use this product with adult supervision.**

## **Weight Capacity:**

–Do not place items exceeding the maximum weight capacity of the product. (For the product’s weight capacity, please refer to the product link.)

## **Usage Scenarios and Maintenance Methods**

- Do not place the product in a humid environment.
- Avoid direct exposure to high temperatures and keep it away from heat sources.
- Clean and maintain the product regularly.
- Place it on a flat surface. When moving is required, ensure that at least two people lift it together.
- Check the condition of screws regularly. If any screws are loose or fall off, reinforce them promptly.

# Chair products

## Preparation before Installation

–Please read the assembly instructions carefully before installation and keep this manual for future reference. Check that all components are complete, including panels, hardware fittings, screws, plastic parts and other small components. Ensure that **only adults** perform the installation, and keep children away from the installation area.

## Instructions for Use

- (1) Avoid prolonged exposure to direct sunlight or humid environments to prevent fading, aging, or mildew.
- (2) **Even force application:** Avoid prolonged heavy pressure on a single point during use to extend the service life.



- **Do not** come into contact with corrosive substances and liquids to prevent discoloration or damage.
- **Do not** scratch it with sharp objects to avoid damaging the fabric and components.
- **Do not** stand on the product to prevent falls due to product sliding.
- **Do not** push it backward and downward violently, which may cause backward tipping and injury.
- **Do not** place it outdoors for use.

- When children use the product, it must be operated under adult supervision.
- **Do not** place items exceeding the weight – bearing capacity on the chair, which may cause the lifting function to fail.

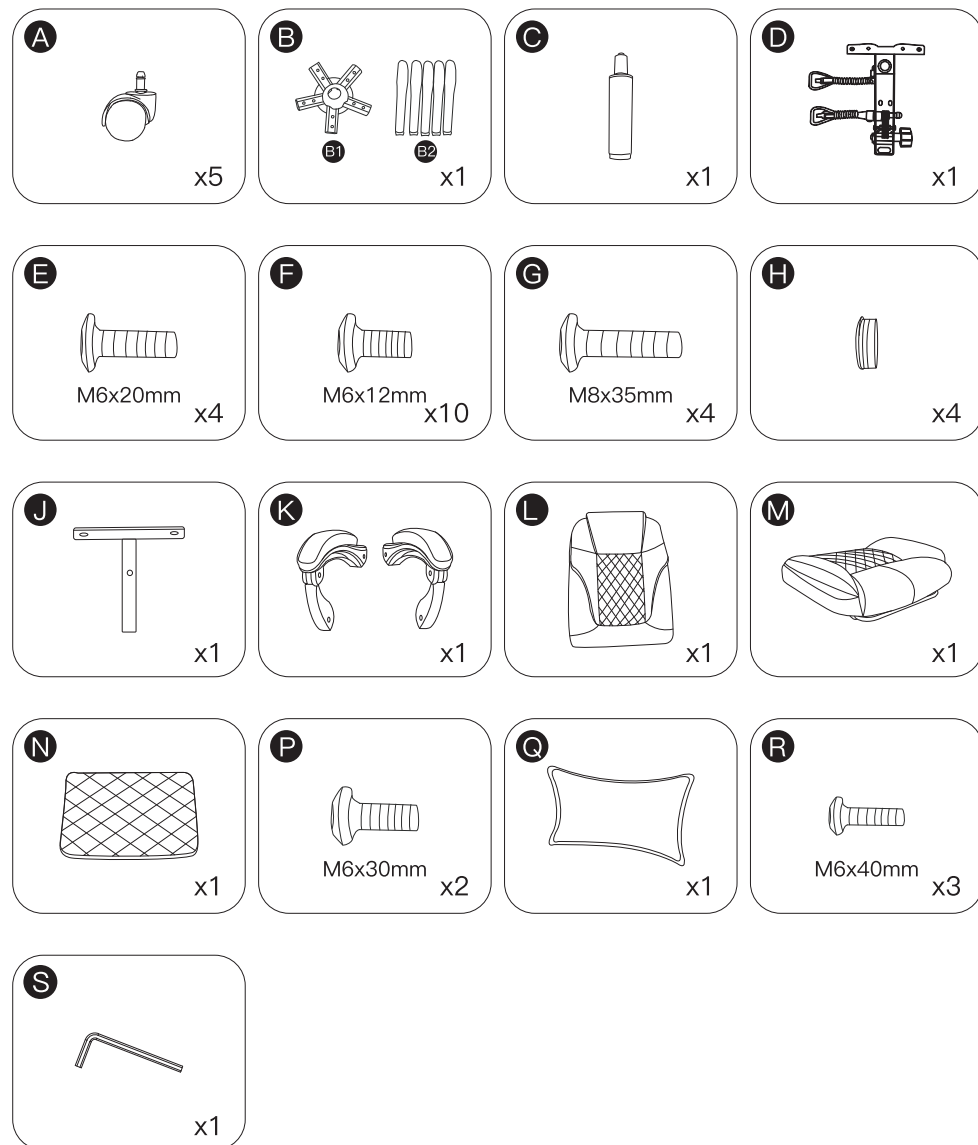


## Maintenance Methods

- (1) **Do not** scratch it with sharp objects to prevent damage to the mesh fabric and components.
- (2) Before cleaning the product, first suck up the dust on the product surface and in the gaps, and then clean with clean water and a clean cloth (a small – scale test is required first to ensure no fading, staining or damage will be caused).
- (3) The hardware accessories of the product should be regularly inspected for looseness every 3 months. If there is looseness/falling off, they should be fixed immediately.
- (4) Keep away from fire sources and do not contact with acidic, alkaline chemicals and greasy substances.
- (5) Avoid placing it near windows to prevent long – term dampness and direct sunlight.
- (6) Regularly remove entangled hairs and fibers from the casters and the gas lift cylinder.

Please check all parts and accessories according to the parts list before assembling, make sure all contents are sufficient and in good condition. If there is any parts missing or defective, please contact us immediately with purchase platform message to get replacement parts.

## PARTS:



**Attention:**  
For your safety, we recommend two or more people to install it together.



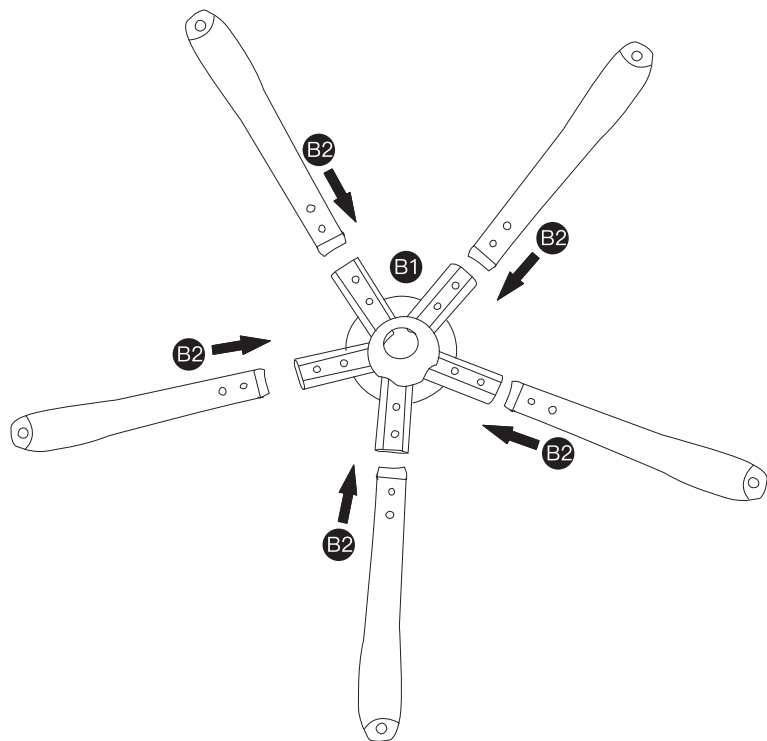
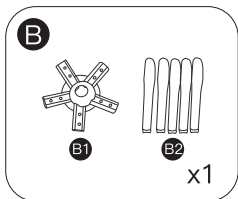
**Attention:**  
To make the chair more stable, please tighten all screws with a hex screwdriver.



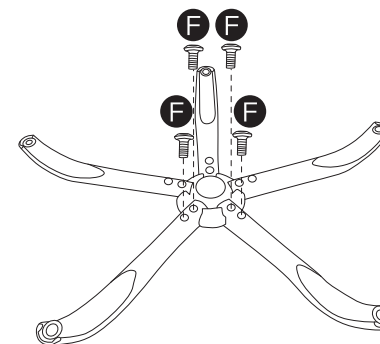
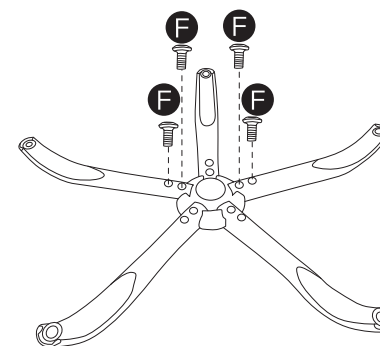
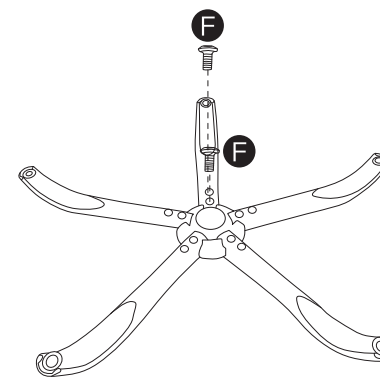
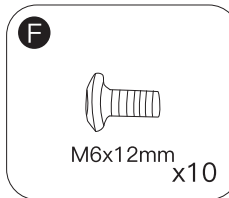
**Attention:**  
To make the chair more stable, we recommend checking the tightness of the screws every 3 months. If there is any looseness, please tighten it again immediately.

# HOW TO INSTALL

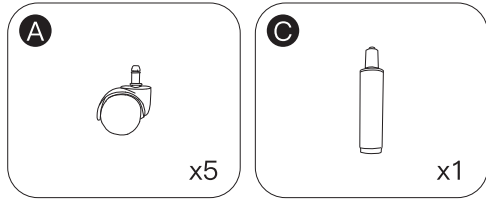
## STEP 1



## STEP 2

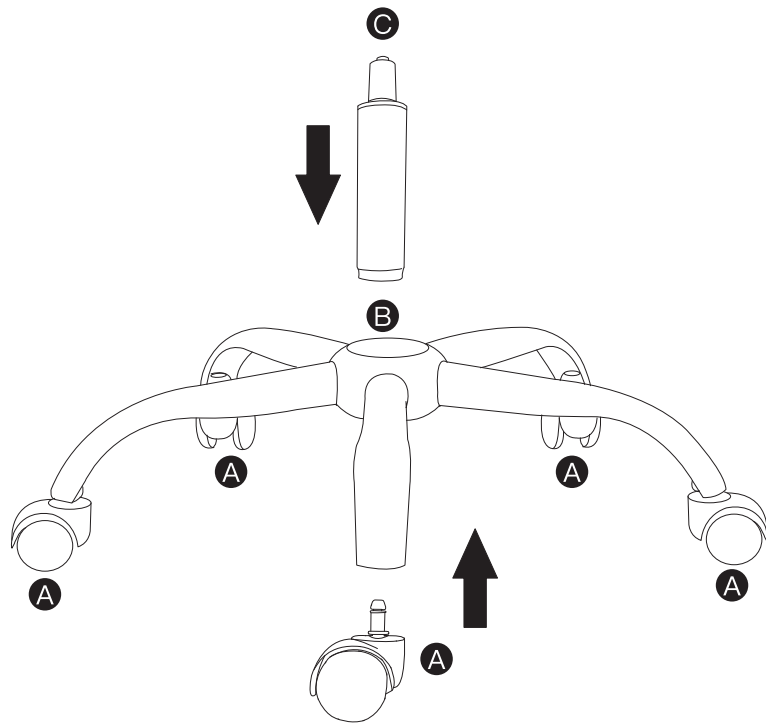


## STEP 3

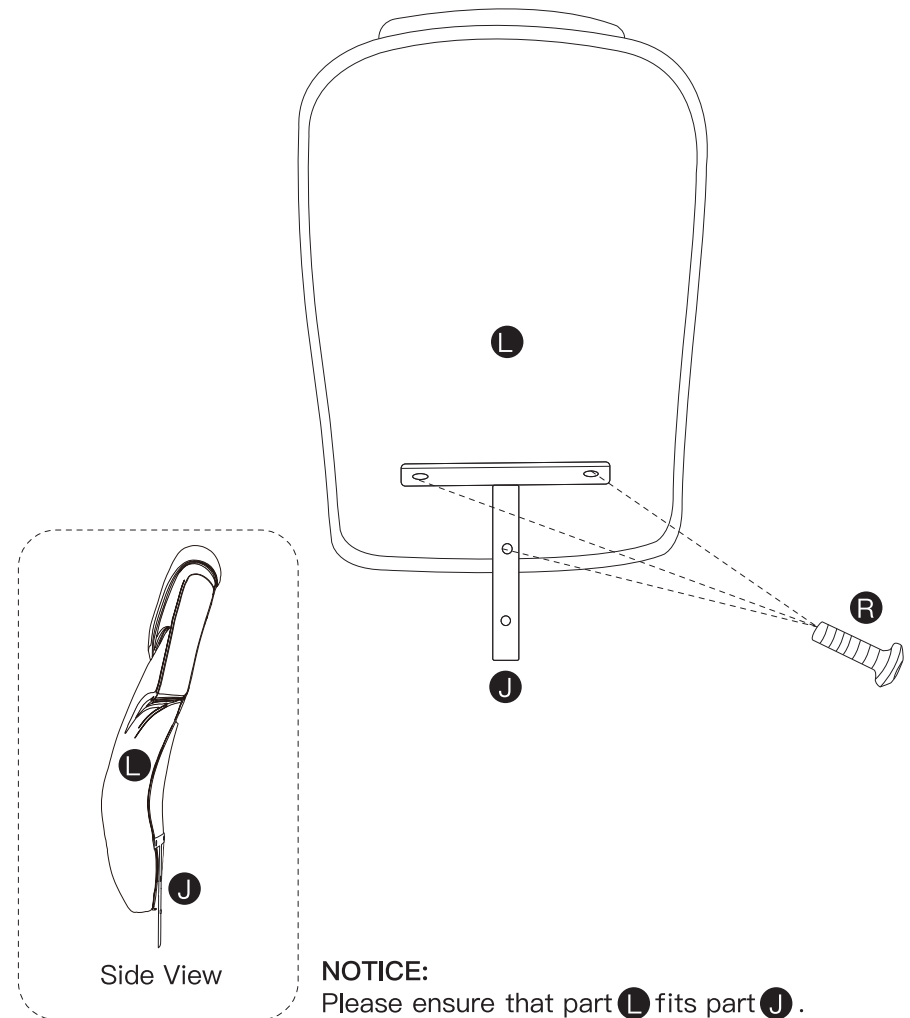
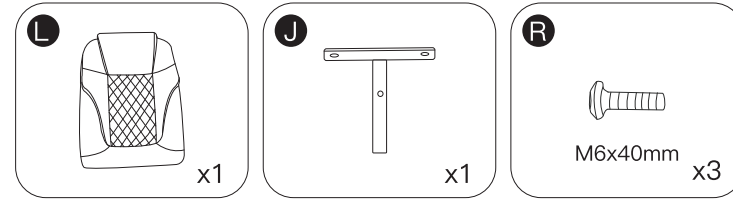


### NOTICE:

1. Please flip the finished product installed in the third step 180 degrees.
2. Push the wheel **firmly** in to ensure it is securely fastened.



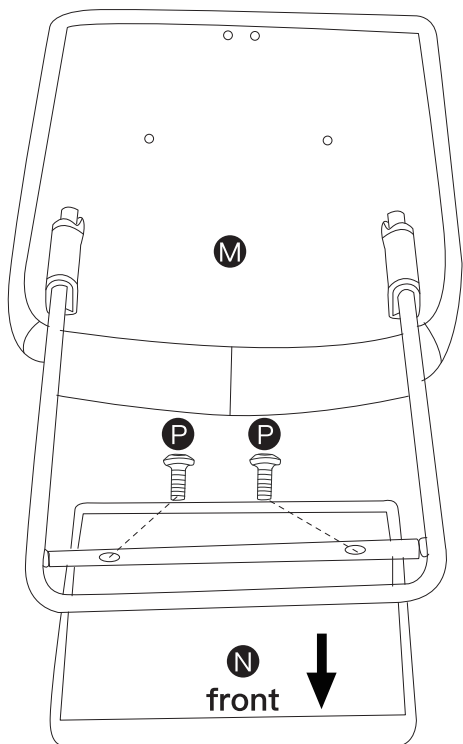
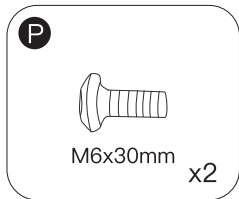
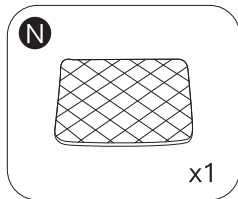
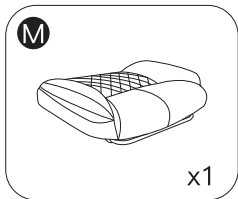
## STEP 4



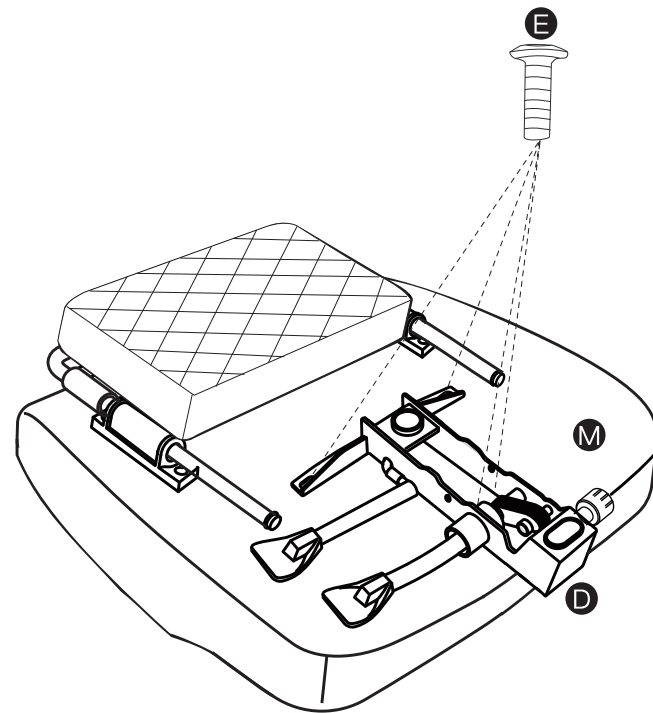
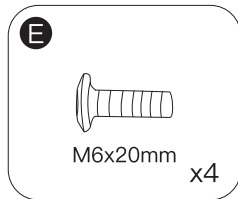
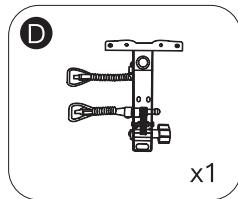
### NOTICE:

Please ensure that part **L** fits part **J**.

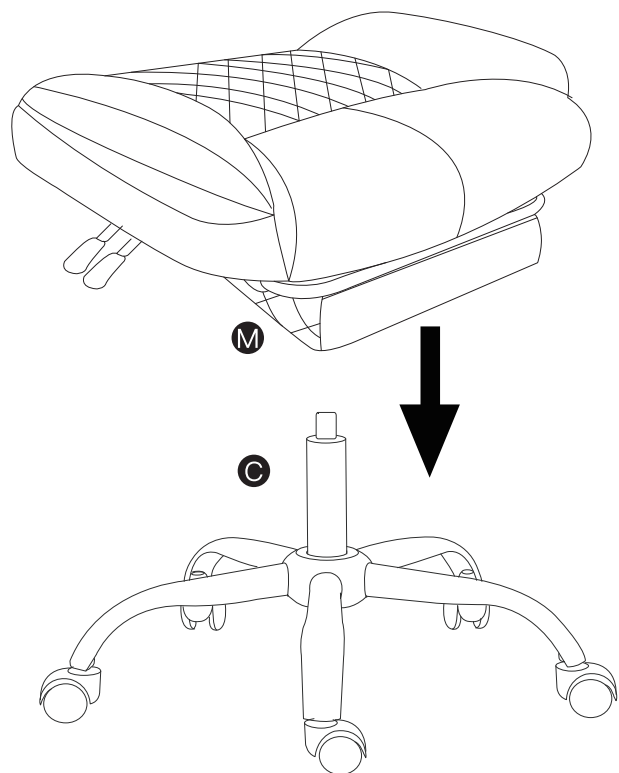
## STEP 5



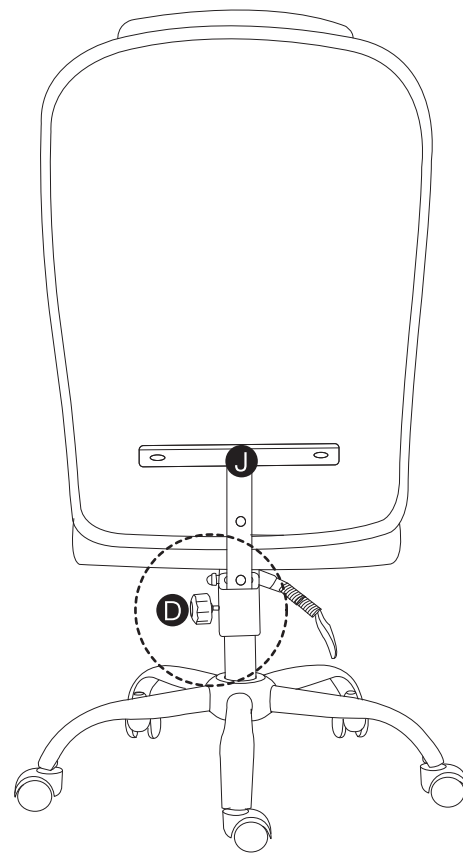
## STEP 6



## STEP 7



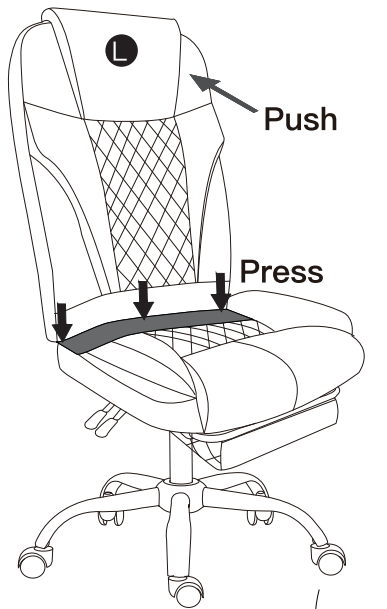
## STEP 8



### NOTICE:

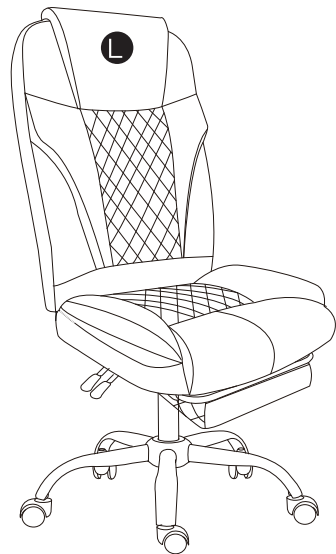
Please ensure that the screw of part **J** is as close as possible to part **D** and fully tightened.

## STEP 9

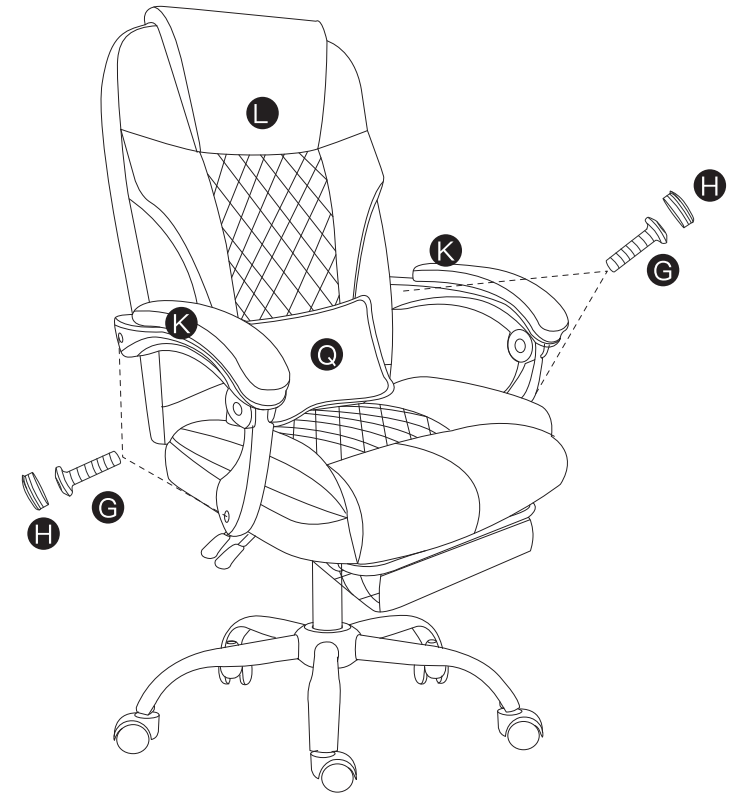
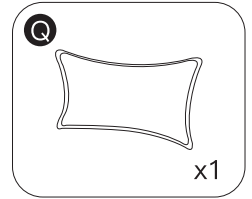
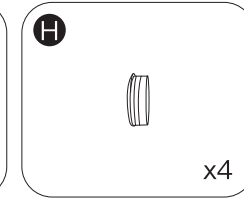
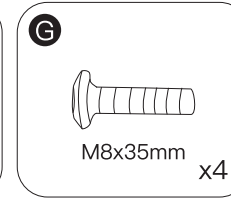
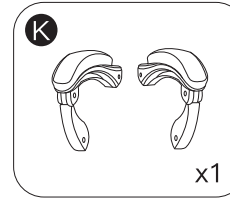


### NOTICE:

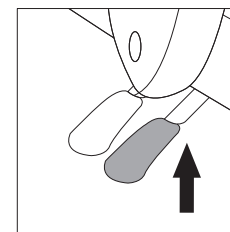
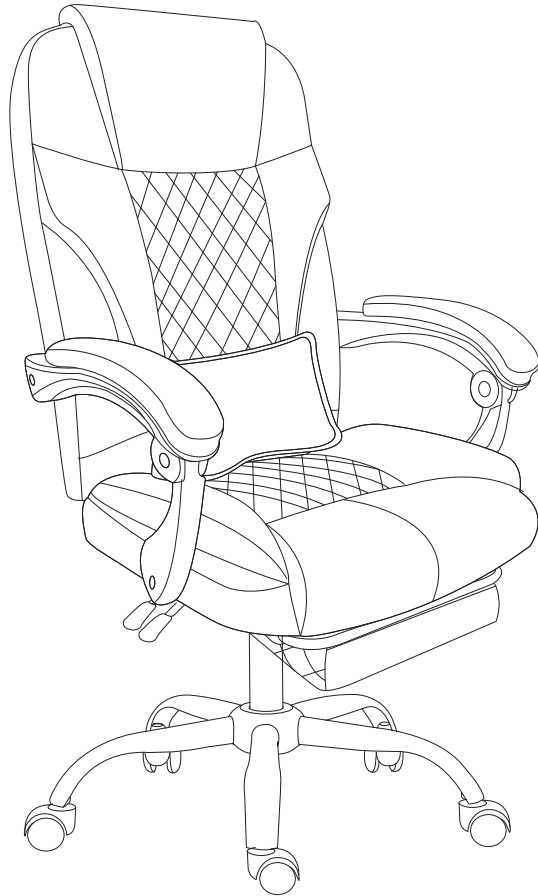
Please place the excess part of part **L** under the backrest and then pull the backrest back to its original position.



## STEP 10



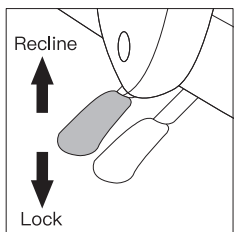
### 1. Adjustable height lever



(1) There is an adjusting rod at the bottom of the cushion; pushing it upward allows you to freely adjust the height of the chair.

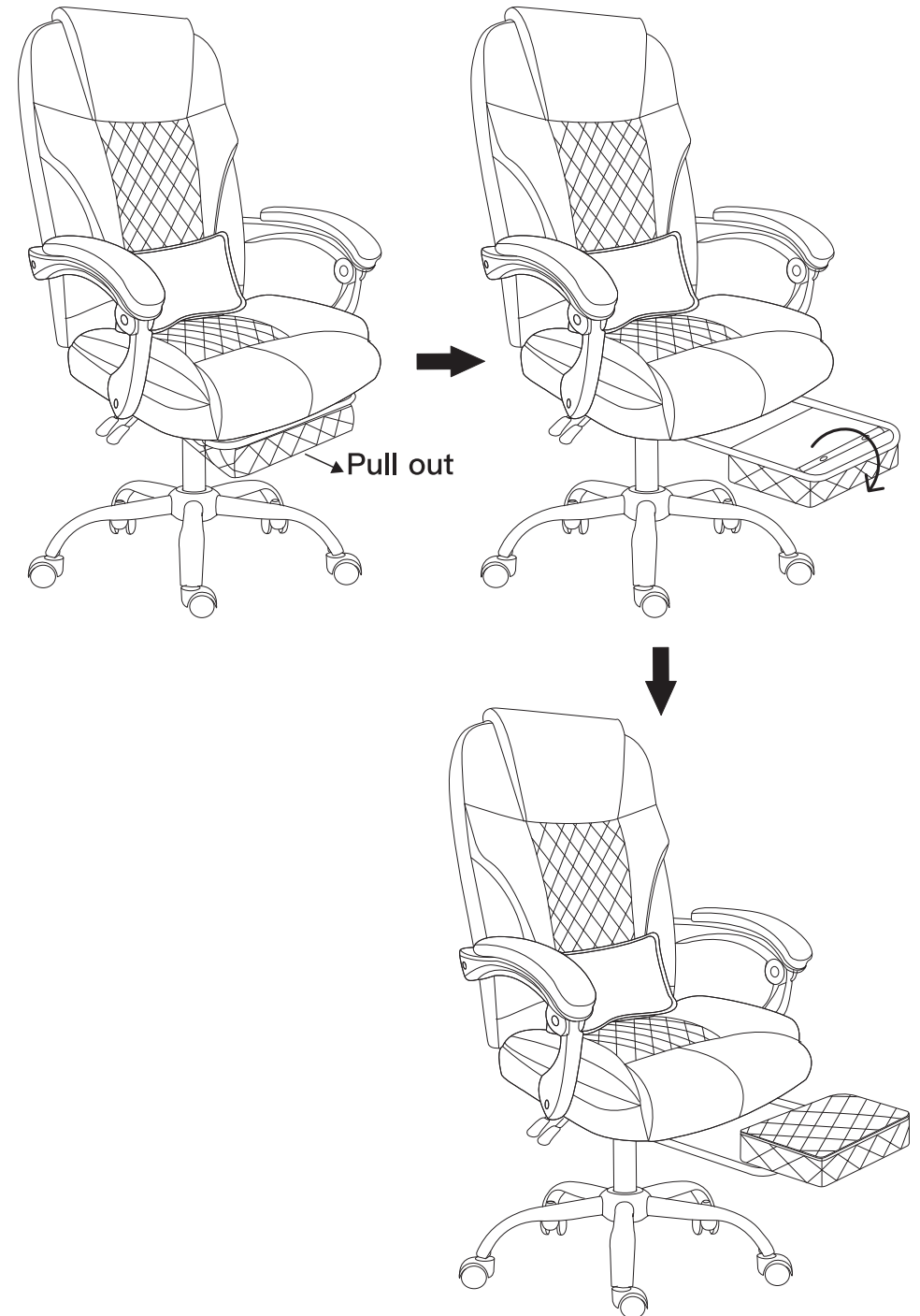
(2) When you need to raise the chair's height, you must not sit on the chair; when lowering the chair's height, you need to sit on it and press down firmly.

## 2. Backrest Reclinable



**Adjust the flexibility of reclining in your chair:**  
Moving the handle at the back upward allows the backrest to recline backward, and moving it downward locks the backrest in place.

## 3. Usage of the Leg Rest



# Wheel Category

## Instructions for Use

–Deodorization: It is normal for wheels to have a rubber smell, so there is no need to be nervous. Just place the wheels in a well-ventilated area to let the smell dissipate before installation.

–Usage Method: Install them at the bottom of compatible products, ensuring that the wheels can rotate flexibly, the braking function (if any) works properly, and push at a constant and stable speed. Avoid driving quickly on uneven ground to reduce wheel wear.



### Notes

- Ensure the integrity of accessories: Prevent collisions and falls that may cause wheel deformation and bearing damage, as well as hard objects from scratching the wheel surface.
- **Load-bearing limit:** Strictly use within the rated load to avoid wheel damage and product tilting due to overloading.
- **Ground protection:** Avoid long-term use on sharp, uneven ground to prevent wheel surface wear and jamming.
- **Brake usage:** For wheels with a braking function, please brake and fix them in time when the product is not in use to prevent the product from sliding.
- For the safety of you and your family, it is recommended to install the **Anti-Tip Device Kit**.



## Maintenance Methods

Cleaning method: Wipe the dust and debris on the wheel surface with a damp cloth, and clean the bearing parts with a dry soft brush.

Regularly check the wear of the wheels, whether the bearings rotate smoothly, and whether the brakes are sensitive, and replace severely worn wheels in time.

# Gas spring

## Installation and Initial Adjustment

**Confirm compatibility:** The diameter of the gas spring must fully match the hole position of the seat base and the sleeve of the five – star base. Otherwise, it will cause wobbling or falling off.

**Insertion specification:** Press vertically into the sleeve of the five – star base. After hearing a “click” sound, press down on the seat forcefully to ensure locking (**Hammering is prohibited!**).

**Height adjustment:** After sitting steadily, pull the lifting rod and adjust to a height where the thighs are parallel to the ground and the feet are placed flat (**Avoid leg numbness caused by hanging in the air**).



### Notes

- **Daily Lifting Operations**  
**For correct operation:** after sitting firmly, press the control lever once. Adjust the elevation in stages (2–3 seconds each time) and release the lever once it reaches the top.
- **Dangerous operations:** Forcibly pressing down while standing, holding the control lever continuously, and continuing to pull up the seat with force after it reaches the top.
- **Consequence description:** The gas strut rebounds instantly, causing an impact. The internal oil temperature rises sharply, accelerating the aging of the sealing ring, which leads to the separation of the gas strut from the base plate.
- **Load-bearing and posture specifications:** Overloading may cause seal burst or slow settlement. Never cross your legs to apply pressure on one side, kneel on the seat, or stand and shake—these behaviors will lead to uneven wear and air leakage of the gas strut.



## Maintenance Methods:

### (1) Monthly Inspection:

**Oil Leak Detection:** Wipe the metal cylinder of the gas strut with a white tissue. If transparent or light yellow oil stains appear, stop using it immediately and replace it.

**Looseness Test:** Hold the seat with both hands and shake it left and right to check if there is abnormal noise or displacement at the connection between the gas strut and the base plate/star base.

### (2) Cleaning and Protection:

**For the metal cylinder:** Wipe off surface dust with a dry cloth.

Never use penetrating lubricants (**they will corrode the sealing ring**).

**Rust Prevention:** In coastal or humid areas, apply car wax to the metal cylinder once a month (**avoiding the telescopic gaps**).

### (3) Lifespan Management:

If the height cannot be locked, the seat drops slowly automatically, or there is jamming/abnormal noise during lifting, the entire unit must be replaced (**non-repairable!**).

## AFTERSALE SERVICE

**Dear customer,**

We are pleased that you have chosen our product as part of your home. We care deeply about your experience and hope that you receive all the help you need.

We sincerely hope this product meets your expectations and hope that you will consider us again in your future needs.

The packaging may exceed our control during transportation. If there are any issues with the box or contents, please contact us directly. We will provide you with high-quality after-sales service. Please kindly wait for the response from our team.

Thank you once again for choosing us. Let's create wonderful memories and comfortable spaces together!

Kind regards,  
Customer Care Team