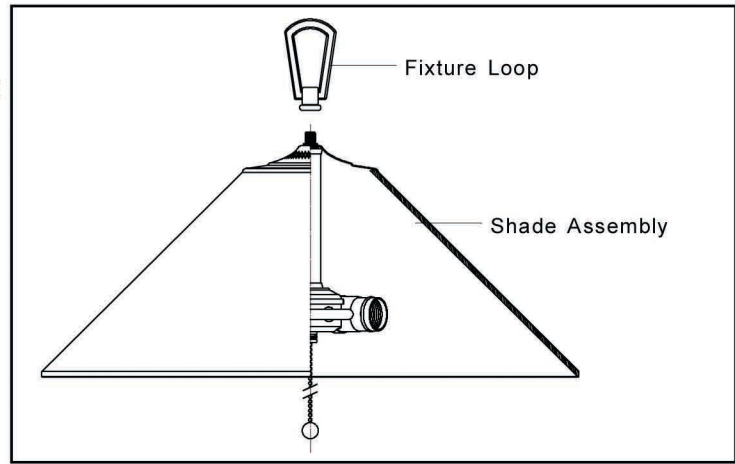


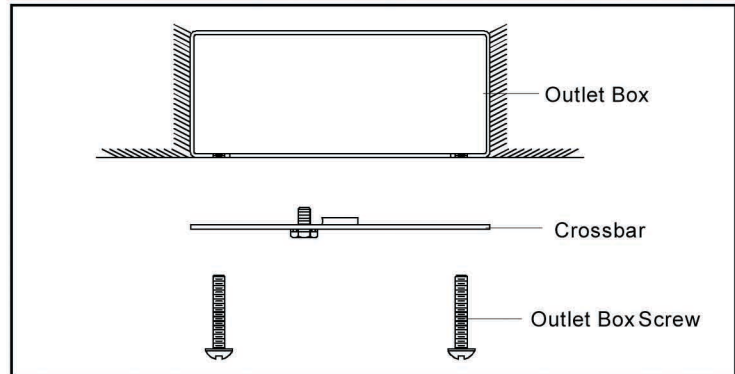
**STEP 1:**

- a. Thread the Fixture Loop onto the nipple on the top center of the Shade Assembly. Hand tighten until snug.



**STEP 2:**

- a. Secure the Crossbar onto the Outlet Box with Outlet Box Screws. Tighten until snug.



**STEP 3:**

\* Plier is required on this step.

- a. Thread one Hex Nut onto top end of the Nipple.
- b. Place one Lock Washer over the top end of the Nipple and then thread the Nipple into the center lock hole of the Crossbar.
- c. Using plier, thread the Hex Nut against the crossbar and hand tighten until snug.
- d. Thread another Hex Nut onto the bottom end of the Nipple.

