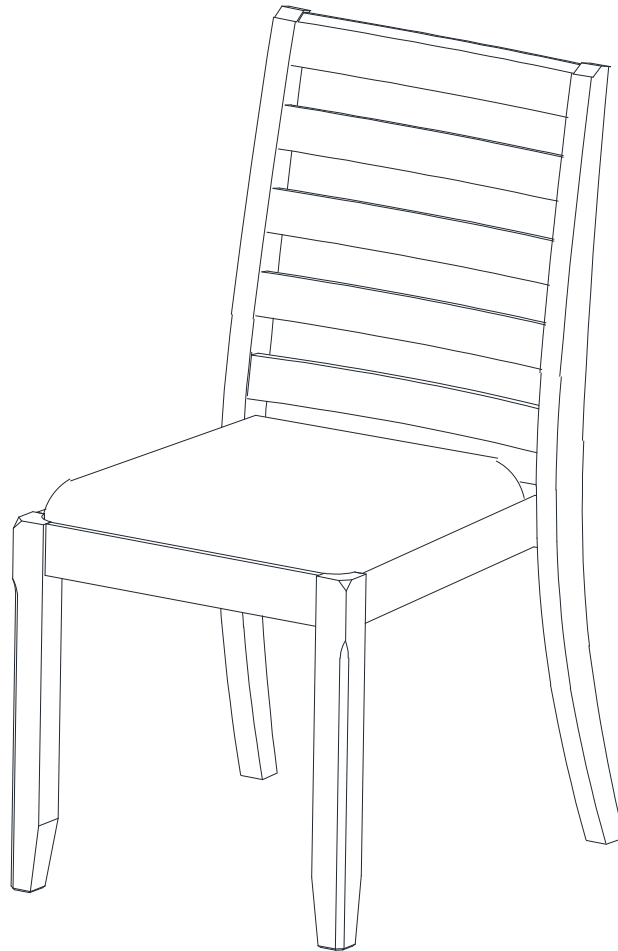


ASSEMBLY INSTRUCTIONS



Description: CUSHIONED CHAIR-LADDER BACK Product

Dimension: 19.4"W x 22.3"D x 35.4"H

Cube Size : 38.2"x 21.8"x11.6"

CUSHIONED CHAIR-LADDER BACK

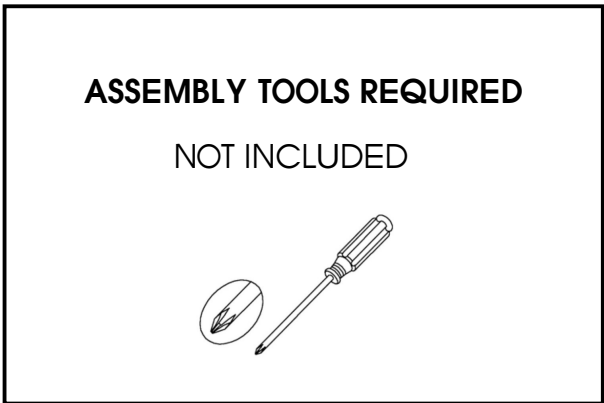
BEFORE ASSEMBLY

Thank you for purchasing our product. This product has been designed for easy assembly and long lasting use. Please take the time to read and follow the assembly instructions carefully.

Be sure to check all packing material carefully for small parts which may have come loose inside the carton during shipment. Please separate, identify, and count all parts and metal hardware. Compare with part list to be sure all parts are present. If hardware is missing or you have difficulty assembling this product, please call for us.

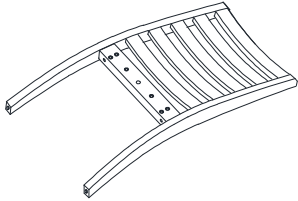
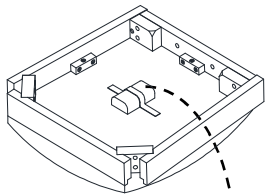
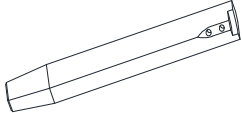
IMPORTANT NOTE:

- Place all wooden parts on a clean and smooth surface such as a rug or carpet to avoid the parts from being scratched.
- Remove all wrapping material, including staples & packing straps before you start to assemble.
- DO NOT tighten all screws and bolts until completely assembled.
- Keep all hardware parts out of reach of children.



PART LIST

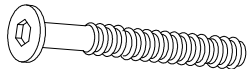





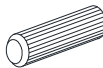
When unpacking, please be careful not to discard any parts with the packaging. Before continuing, please make sure you have the following parts:

NO	Description	Qty	Sketch	NO	Description	Qty	Sketch
A	Chair back	1		B	Seat Frame	1	
C	Front Leg	2					<div style="border: 1px dashed black; padding: 10px; width: fit-content; margin: 0 auto;"> <p style="text-align: center;">Hardware bag location</p> </div>

CUSHIONED CHAIR-LADDER BACK

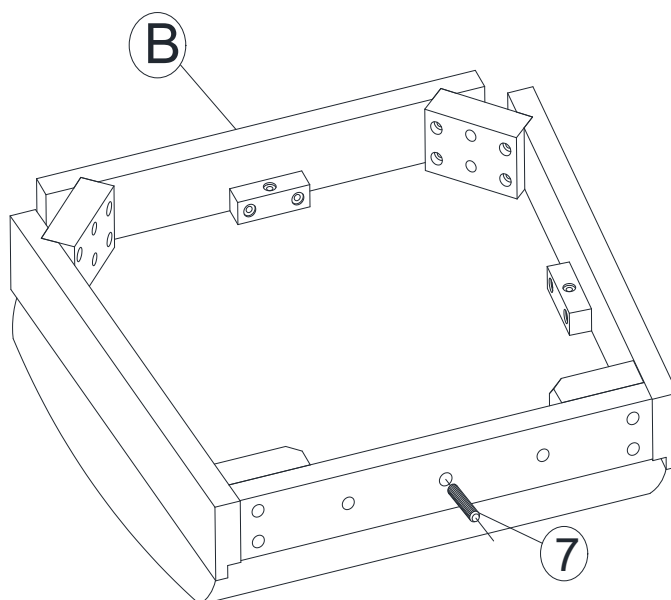
HARDWARE LIST

When unpacking, please be careful not to discard any parts with the packaging. Before continuing, please make sure you have all of the following hardware:

NO	Description	Qty	Sketch	NO	Description	Qty	Sketch
1	Long bolt (M6x70mm)	4		2	Medium bolt (M6x60mm)	4	
3	Short bolt (M6x40mm)	2		4	Lock Washer (Ø6.5X9)	10	
5	Flat Washer (Ø6.5x19)	10		6	Allen Key (4mm)	1	
7	Dowel (Ø10x30)	1					

STEP 1

Attach Dowel (7) to seat frame (B).

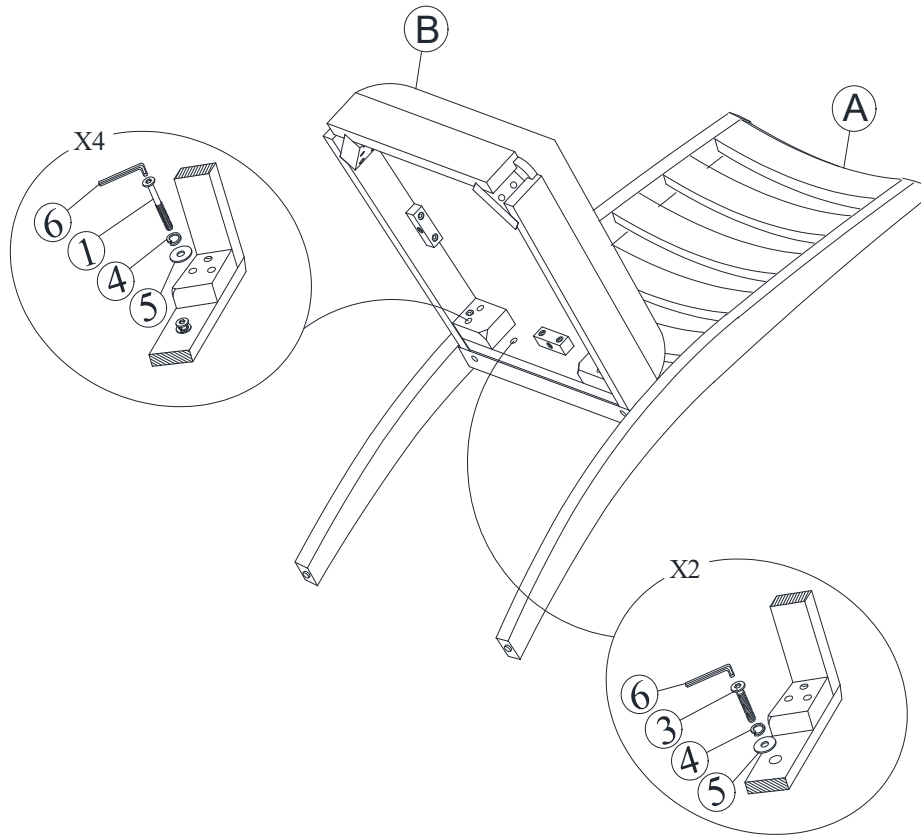


CUSHIONED CHAIR-LADDER BACK

STEP 2

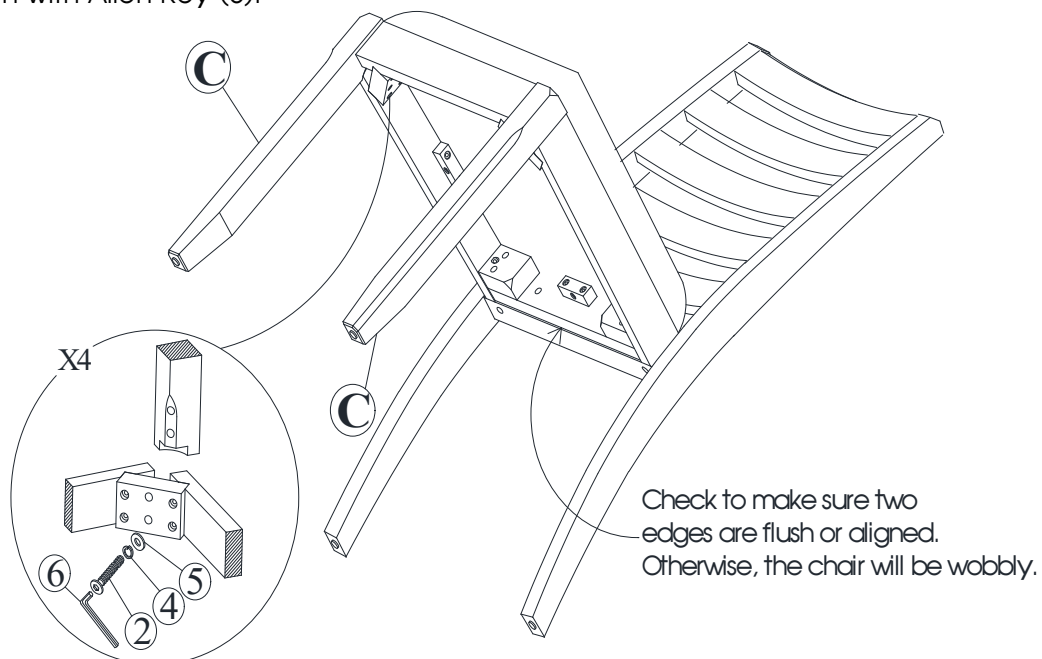
Attach frame (B) to the back (A) by using short bolts (3) long bolts (1) lock washers (4) flat washers (5). Tighten with Allen Key (6).

Note: DO NOT fully tighten any of the bolts until the last step.



STEP 3

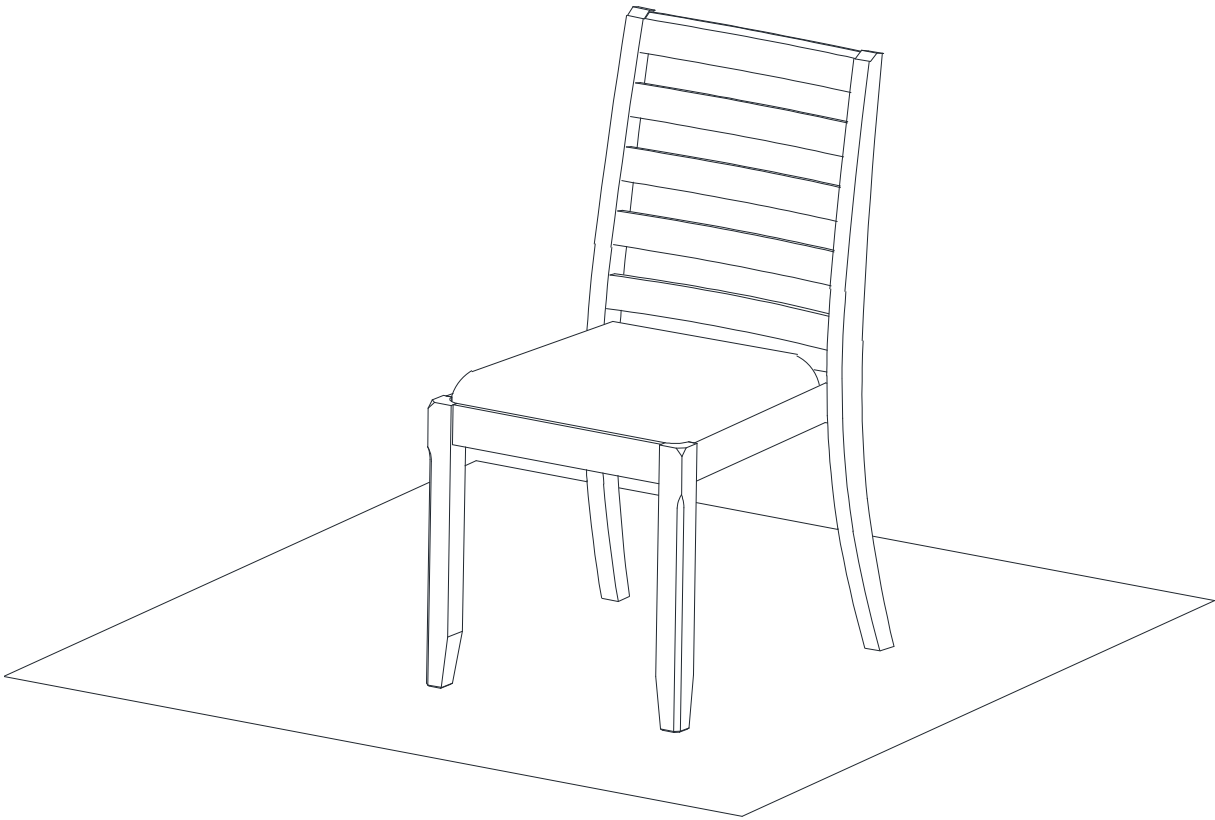
Attach front legs (C) to the seat frame. Use medium bolts (2), lock washers (4) and flat washers (5). Tighten with Allen Key (6).



CUSHIONED CHAIR-LADDER BACK

STEP 4

Put the chair on a flat level surface to make sure the chair is level and then tighten the all bolts.



CUSHIONED CHAIR-LADDER BACK