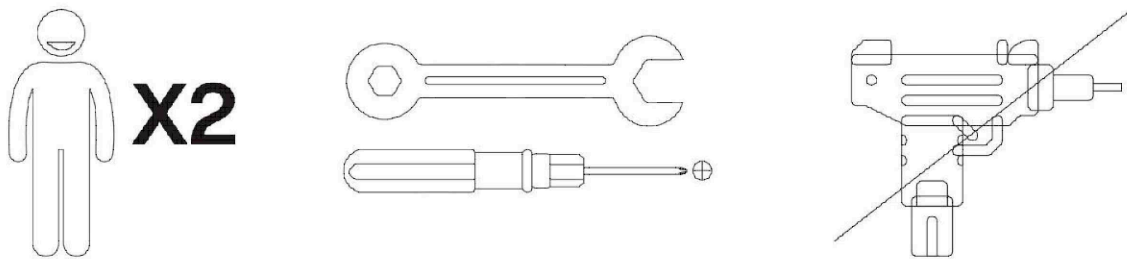


# Assembly Instructions



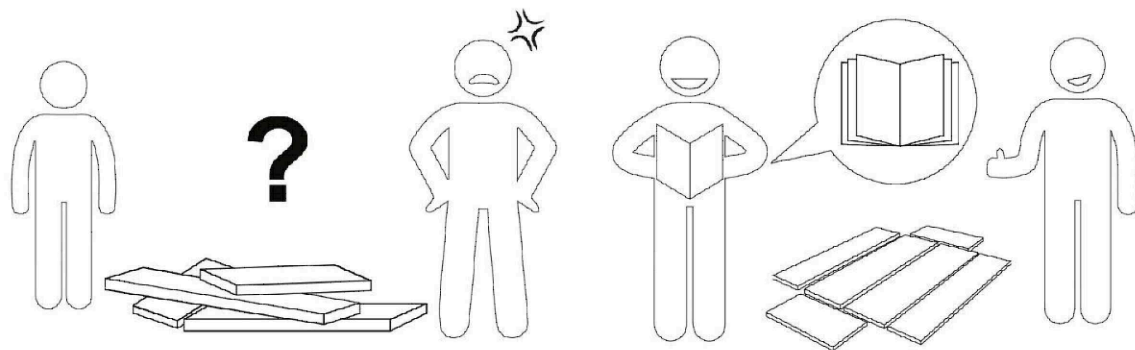
## Warm Tips

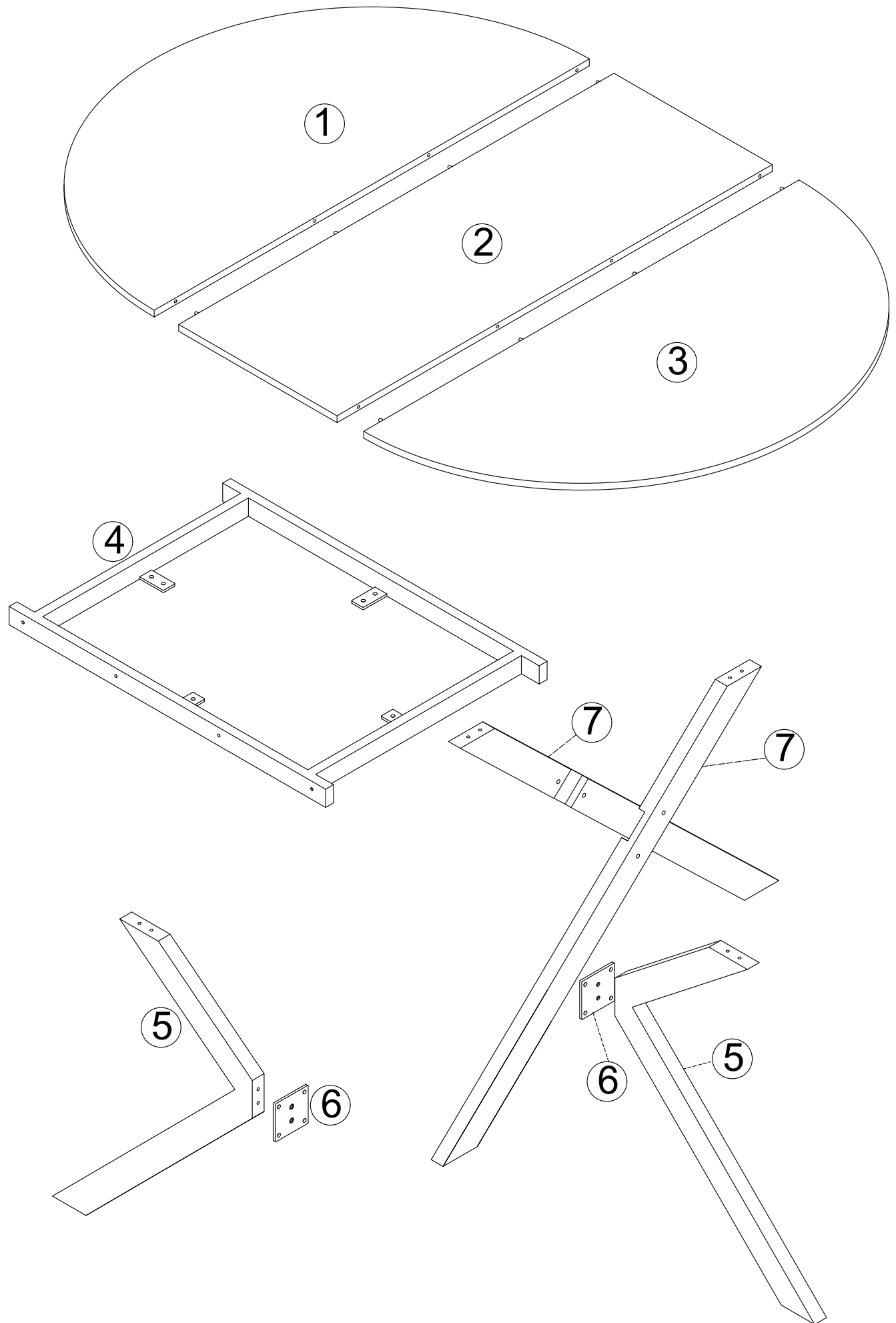
1. Carefully read these instructions and keep them for future reference.
2. Check the parts list and confirm everything's there before starting assembly.
3. When assembling, put all parts on a soft, smooth surface like a carpet to avoid scratches.
4. Don't fully tighten screws until all parts are confirmed in place to avoid misalignment.



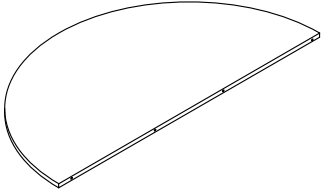
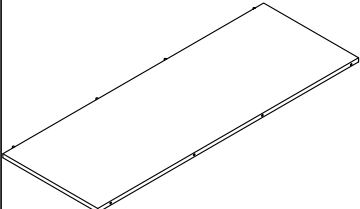
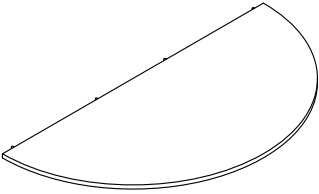
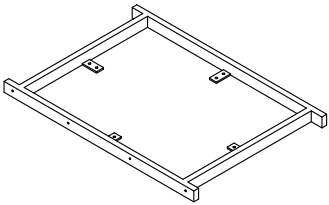
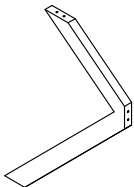
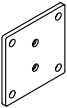
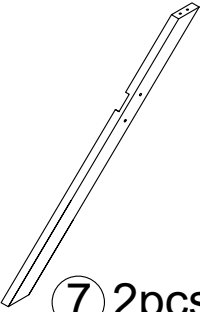
We recommend using hand tools for assembly.

If an electric screwdriver is used, reduce power and torque to avoid damage to the product.

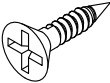

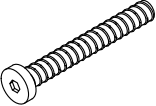



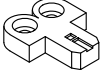
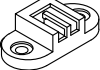
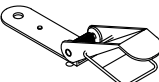

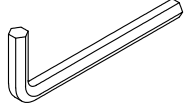








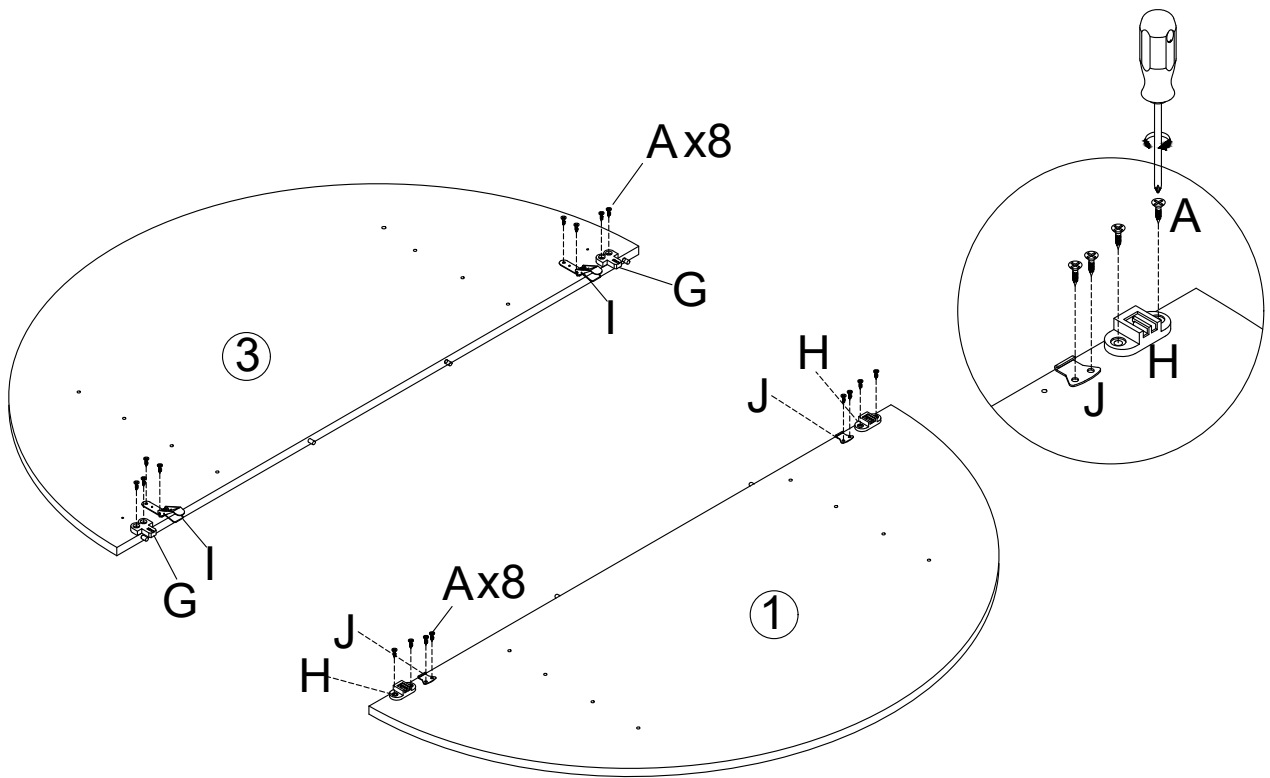
# Parts List

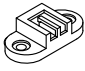

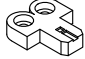
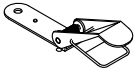
 ① 1pc	 ② 1pc	 ③ 1pc	 ④ 1pc
 ⑤ 2pcs	 ⑥ 1pc	 ⑦ 2pcs	

# Hardware List

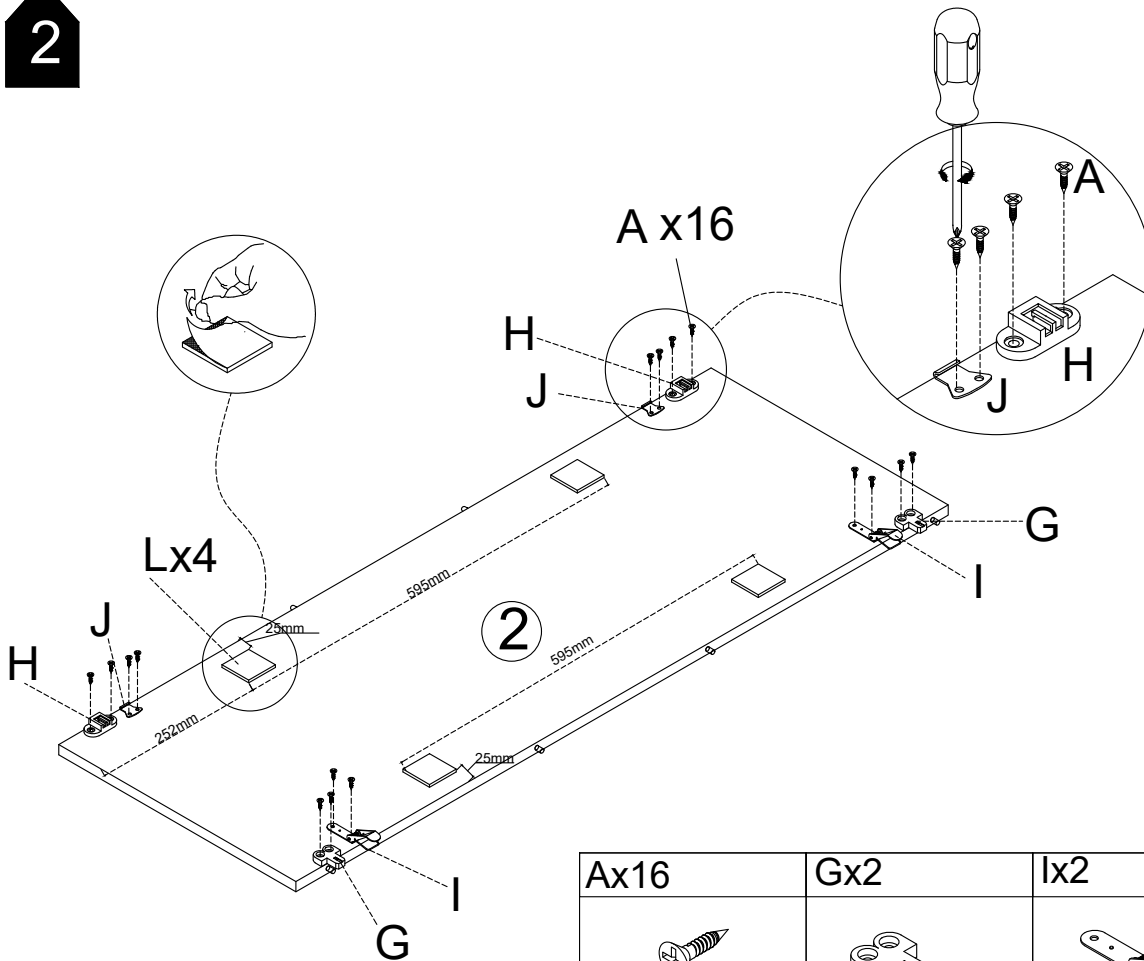
Ax32+2	Bx4	Cx4	Dx4	Ex4
 3.5*12mm	 6*28mm	 6*45mm	 φ30+M8*15	 M6
Fx8	Gx4	Hx4	Ix4	Jx4
 6*15mm	 6*15mm	 6*15mm	 6*15mm	 6*15mm
Kx1	Lx4	Mx1	Nx2	Ox24+2
 4mm	 45*45*4mm	 4mm	 800mm	 6*12mm


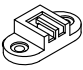
1



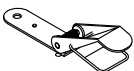



Hx2	Ax16 3.5*12mm	Gx2	Ix2	Jx2
				

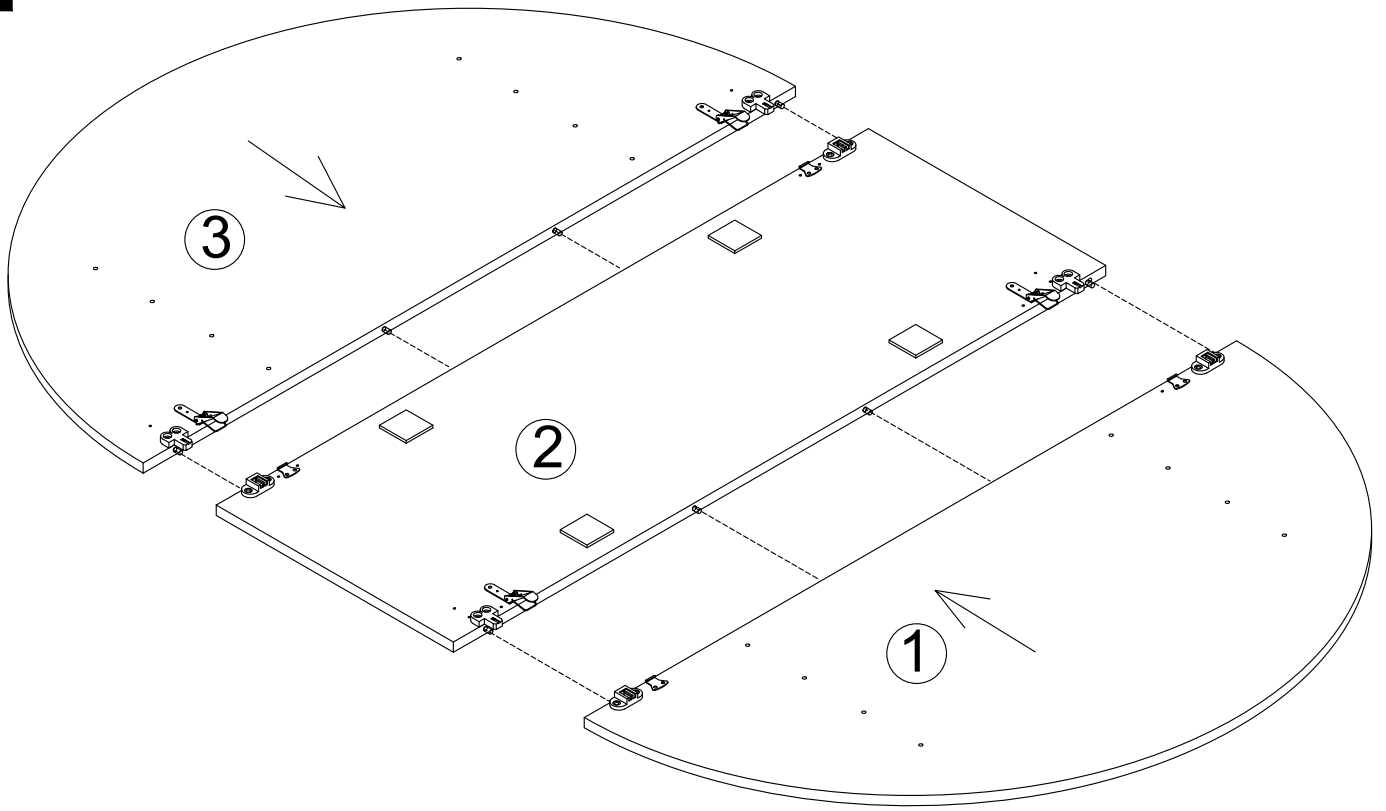
2



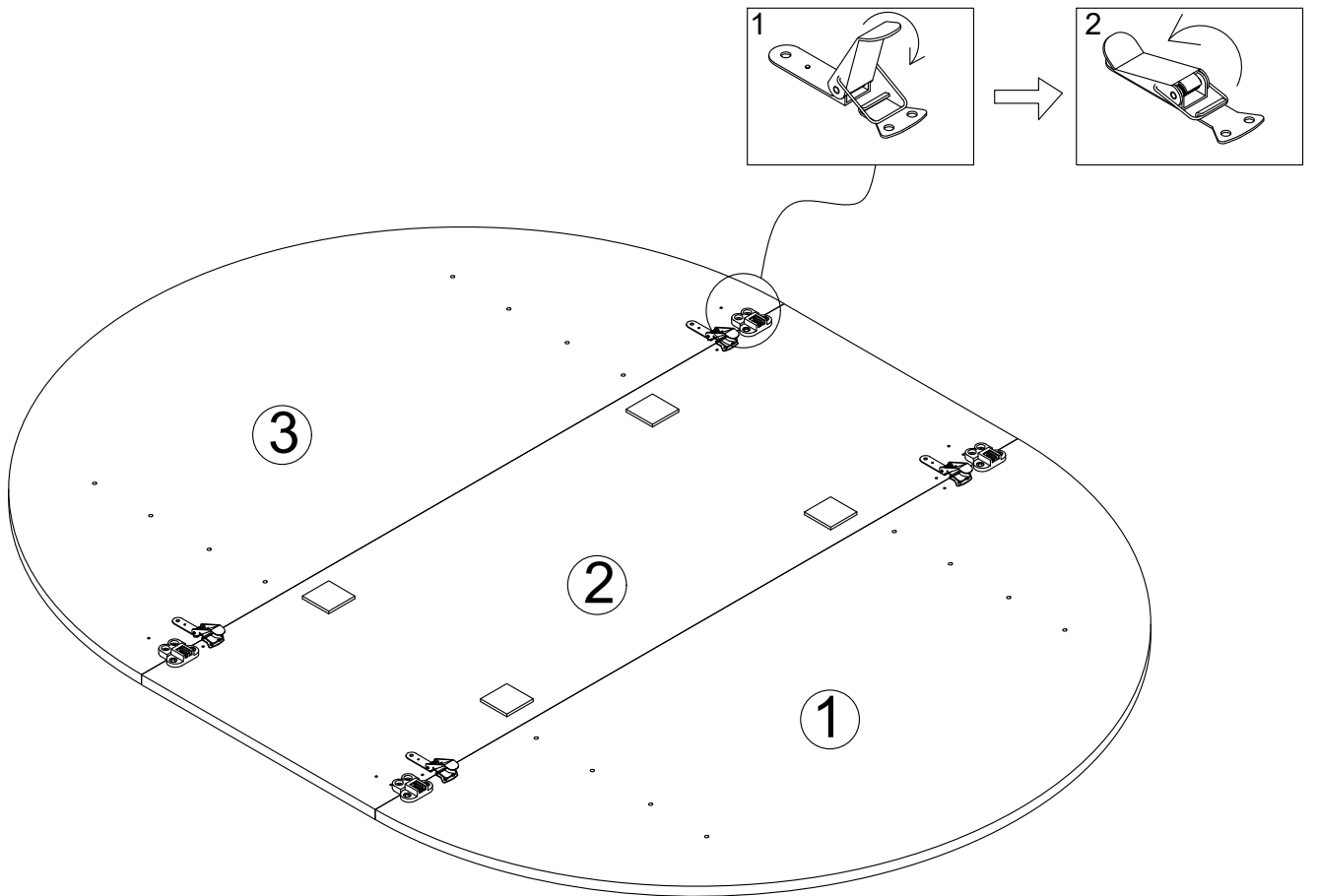
Lx4
 45*45*4mm
Hx2


Ax16 3.5*12mm	Gx2	Ix2	Jx2
			

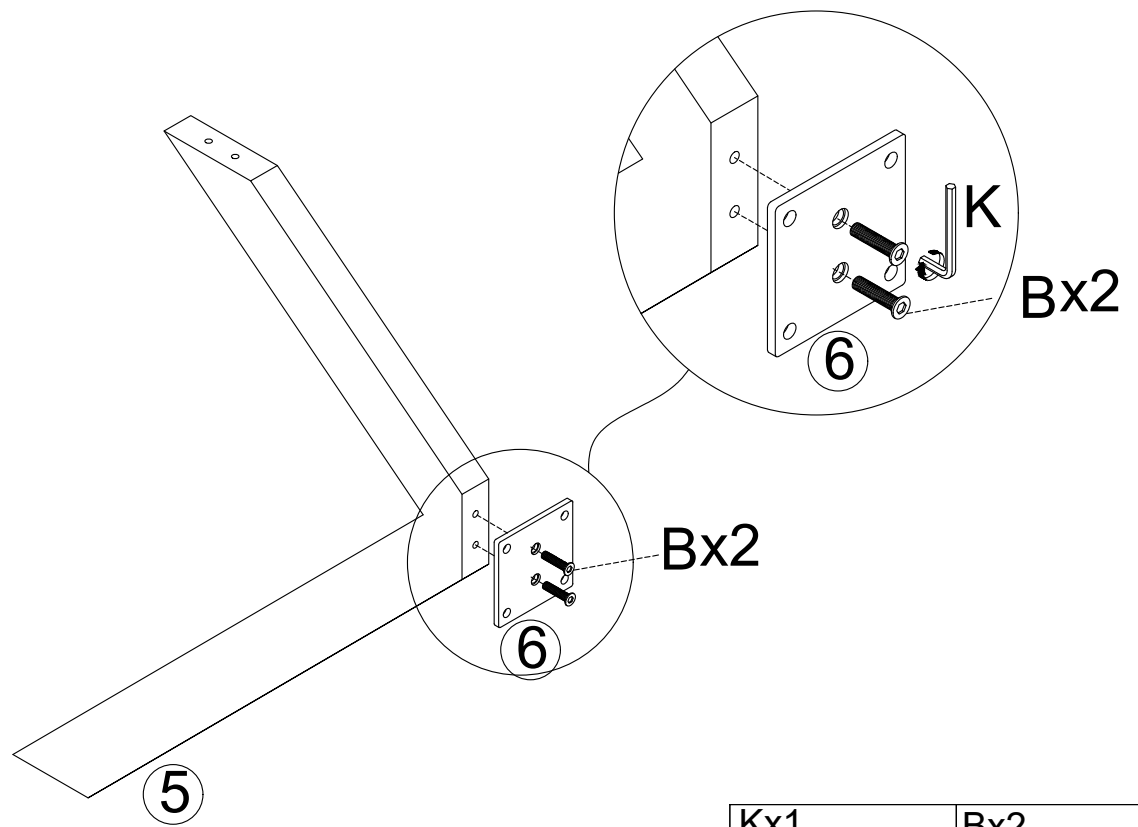
3

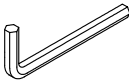



4

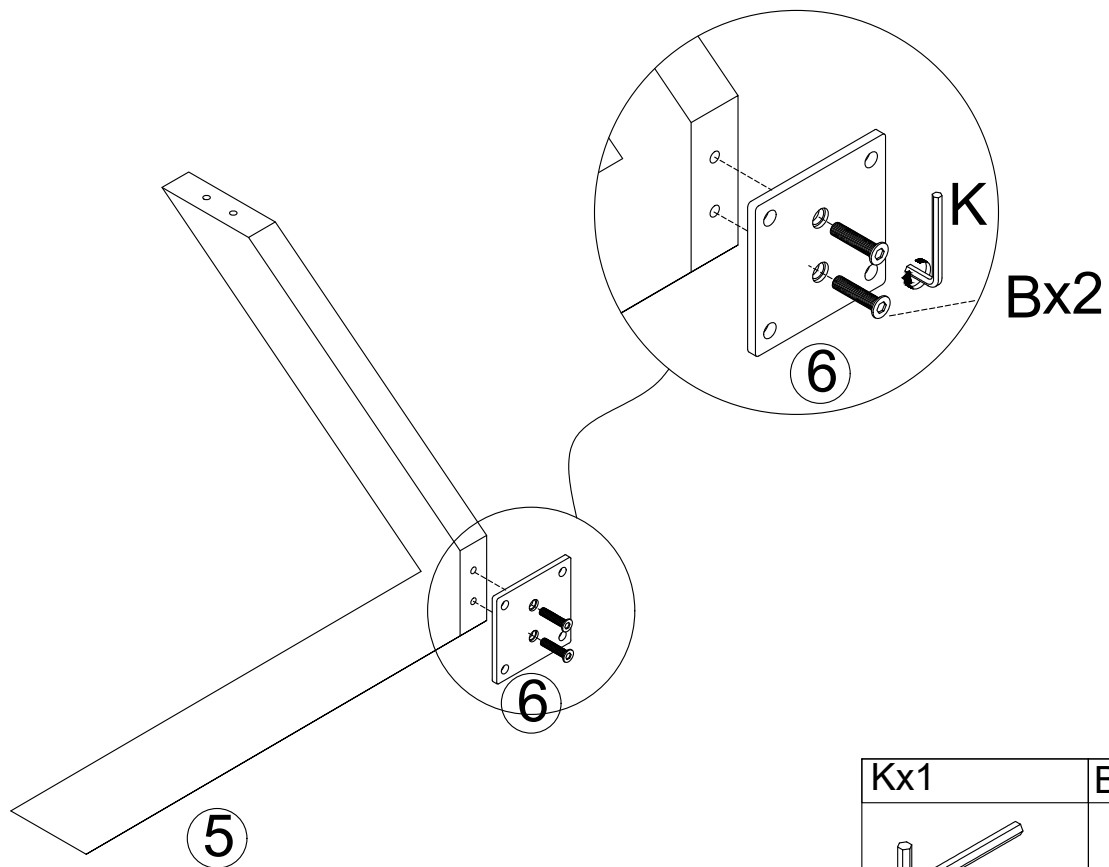


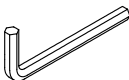

5



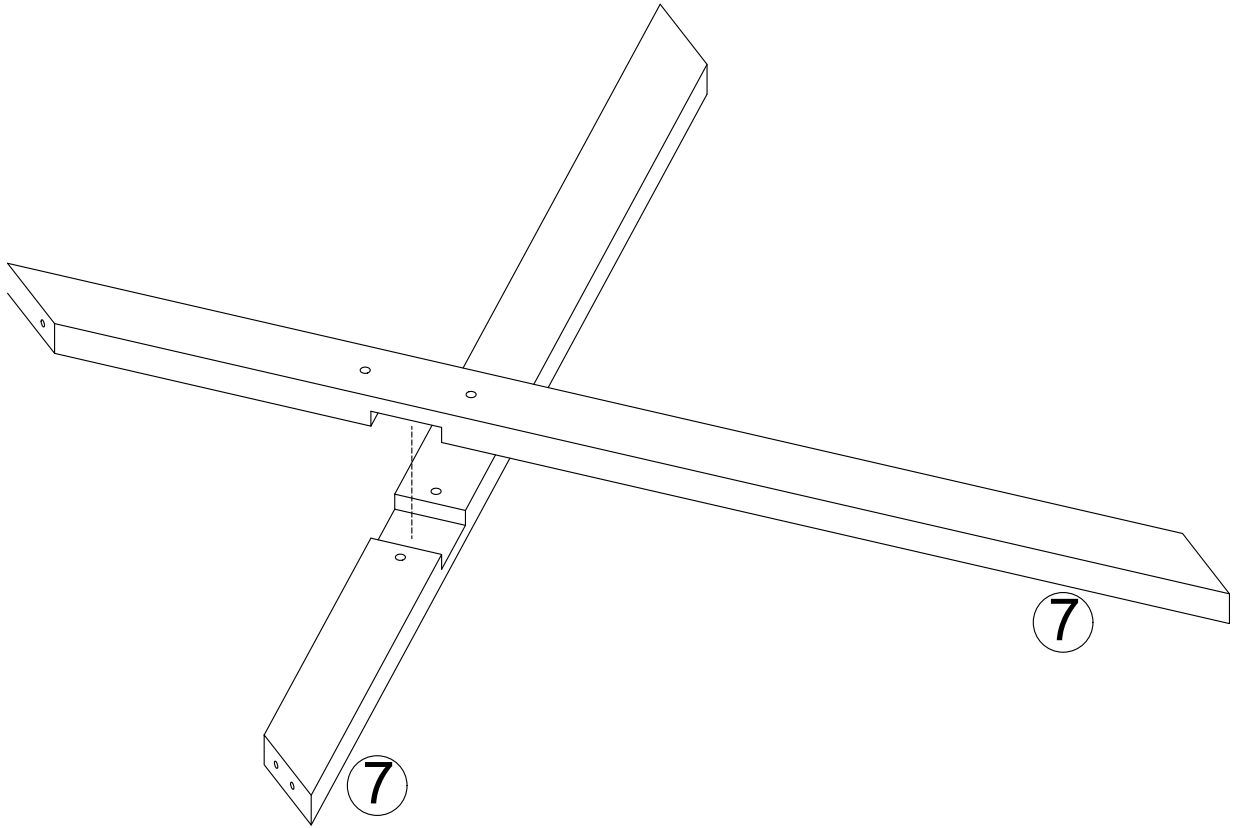
Kx1	Bx2
 4mm	 6*28mm

6

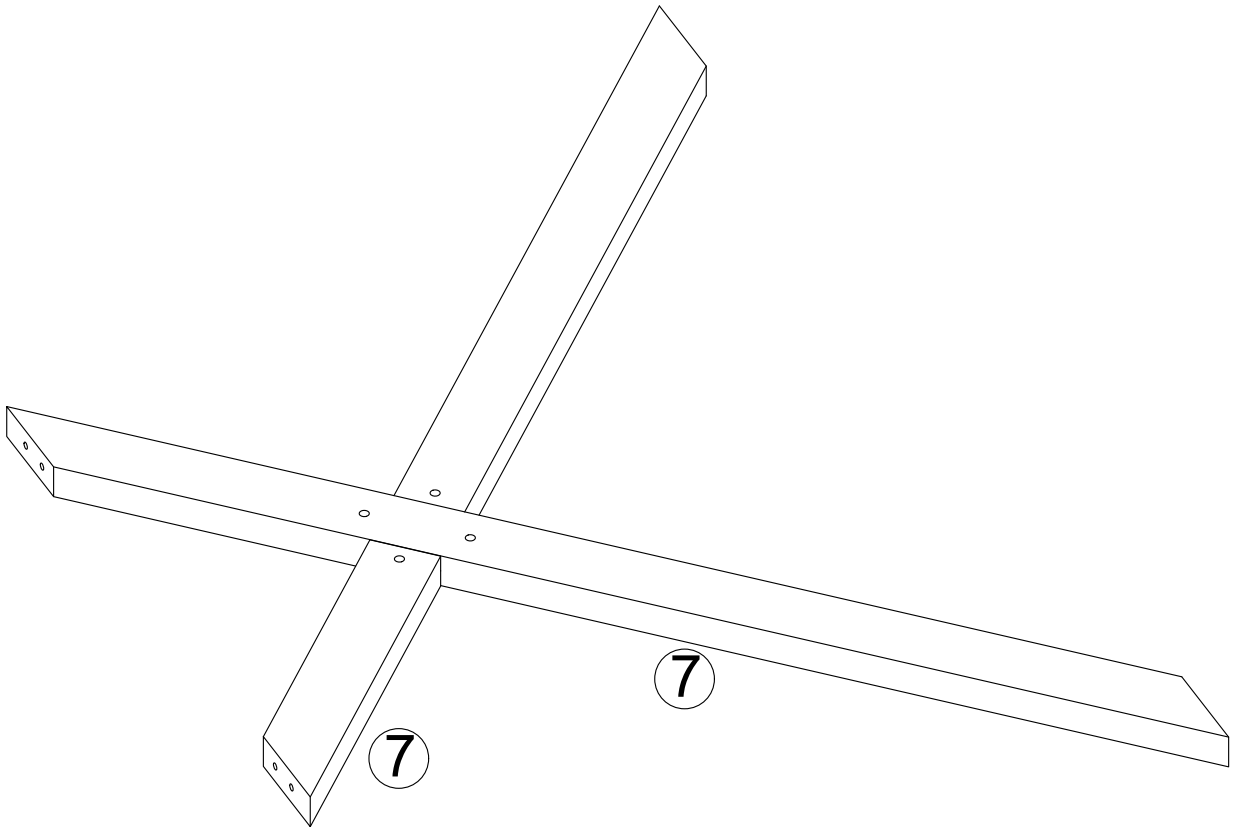


Kx1	Bx2
 4mm	 6*28mm

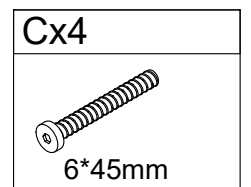
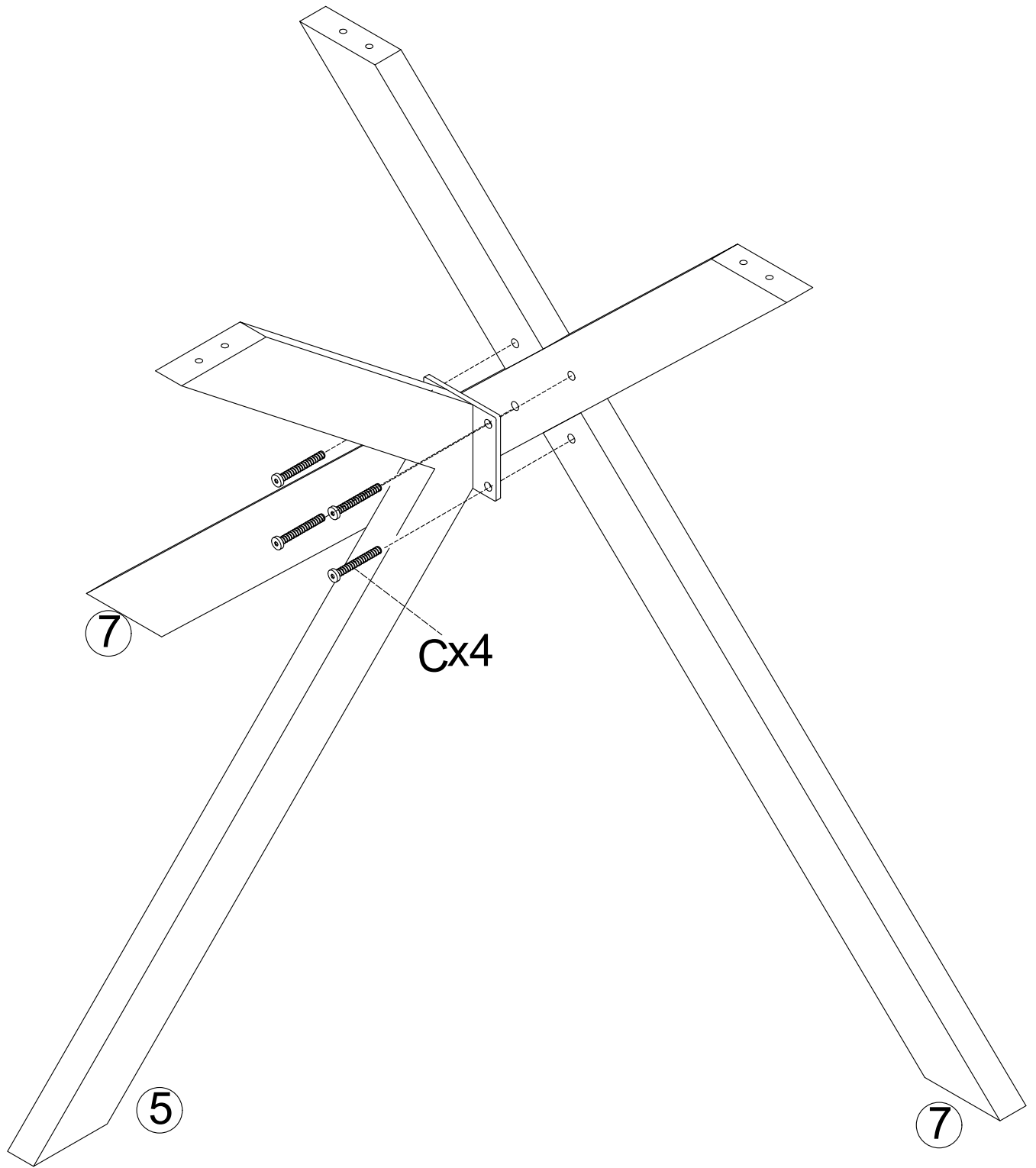
7

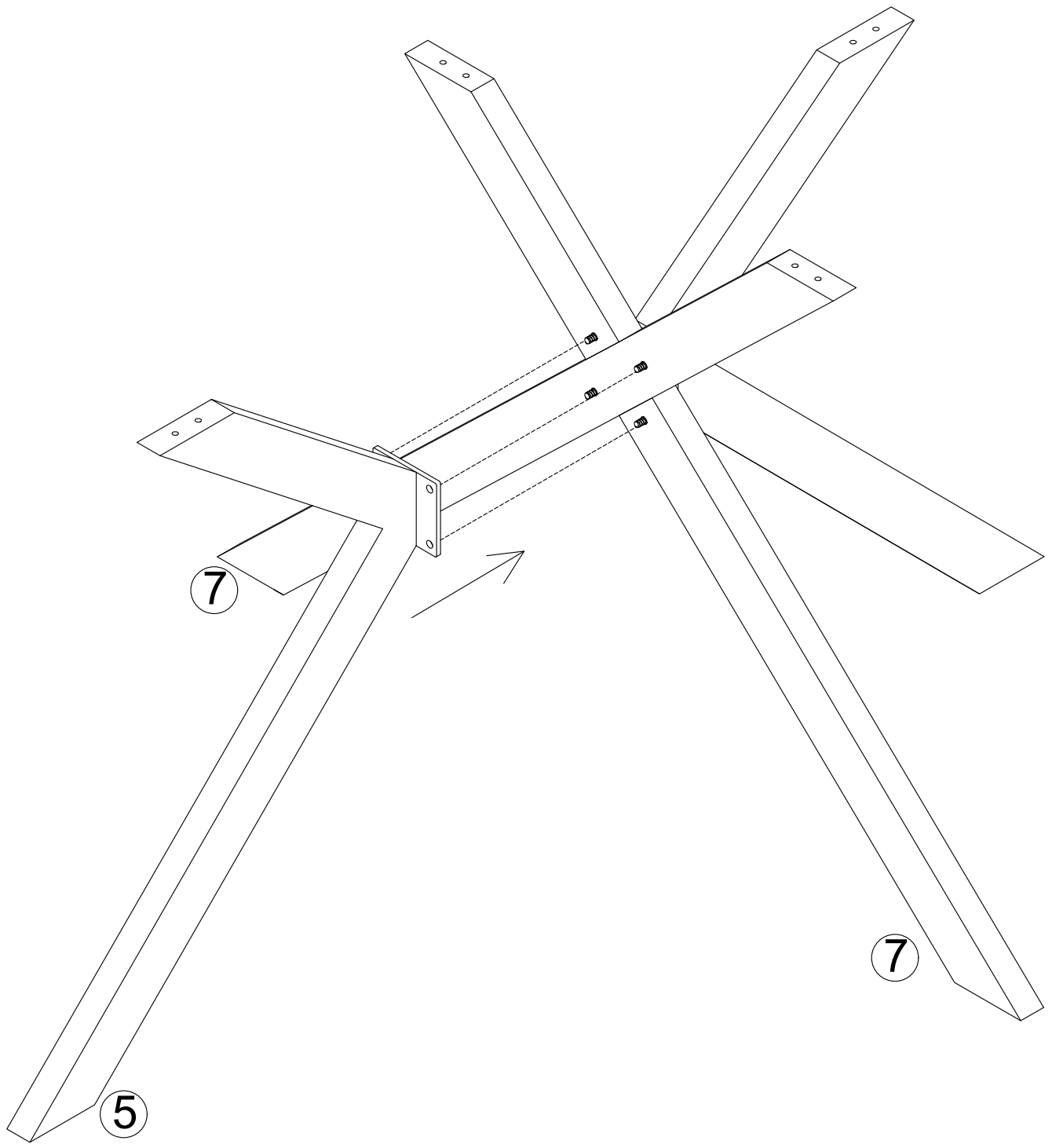


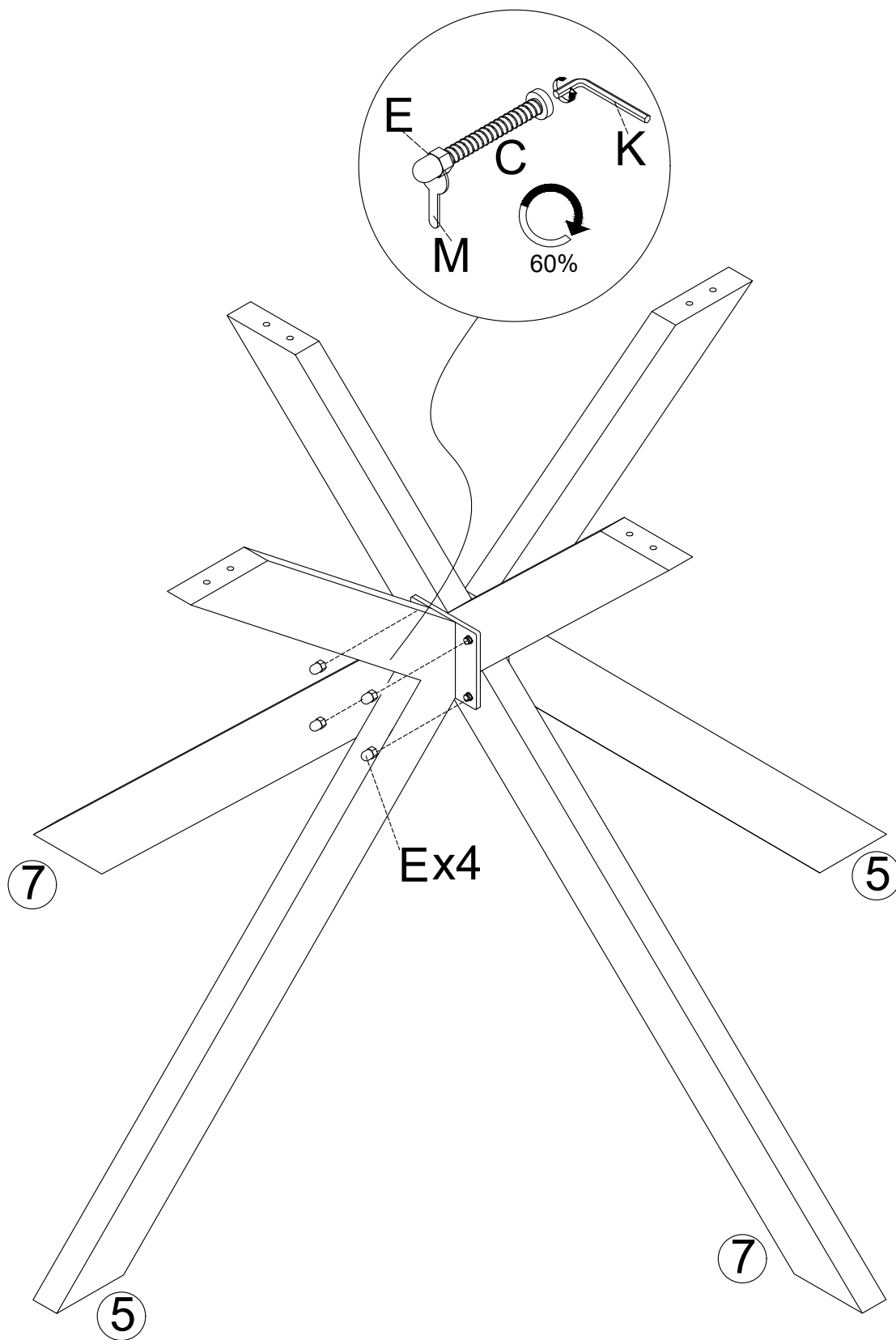
8

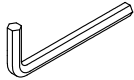




9

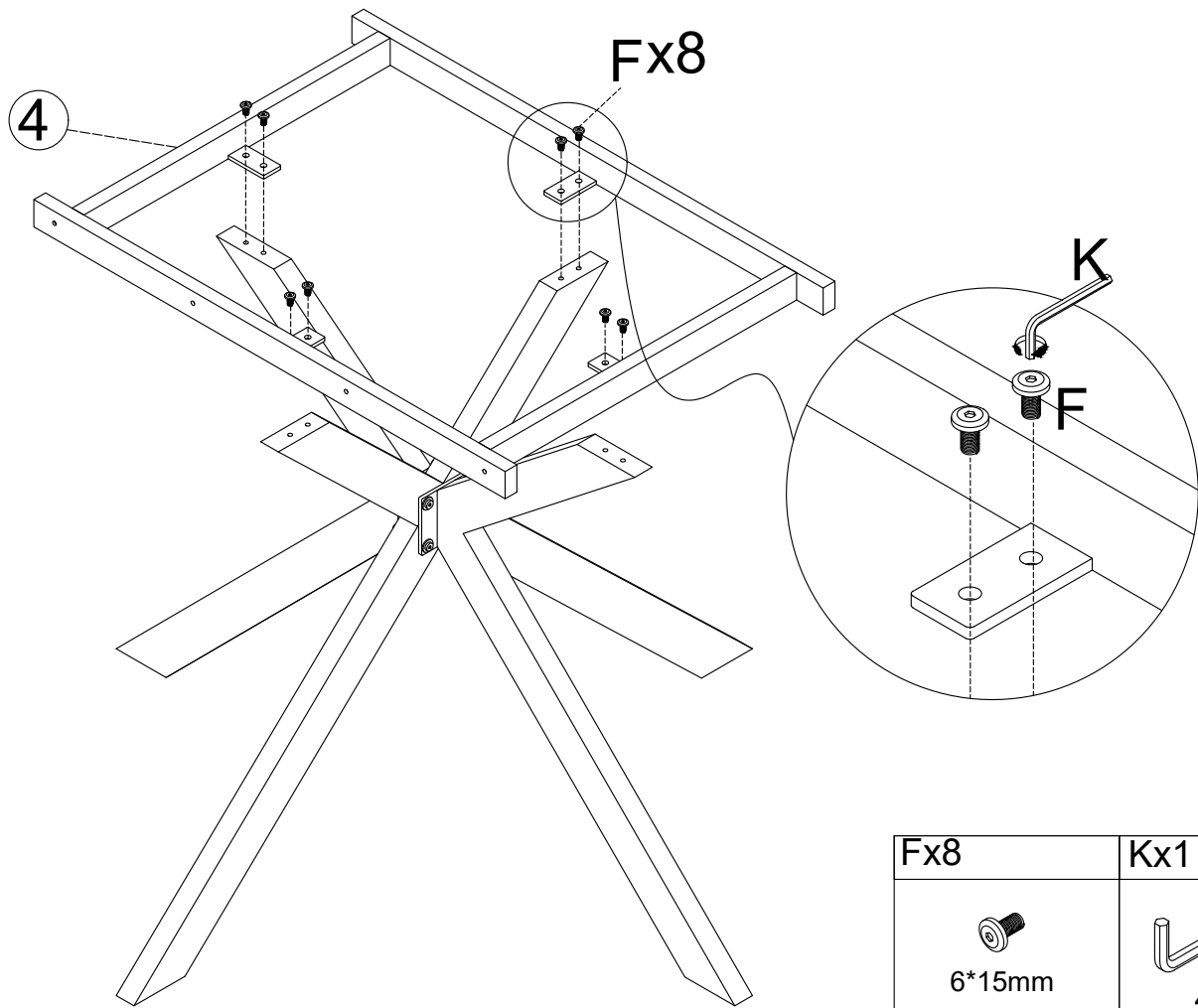




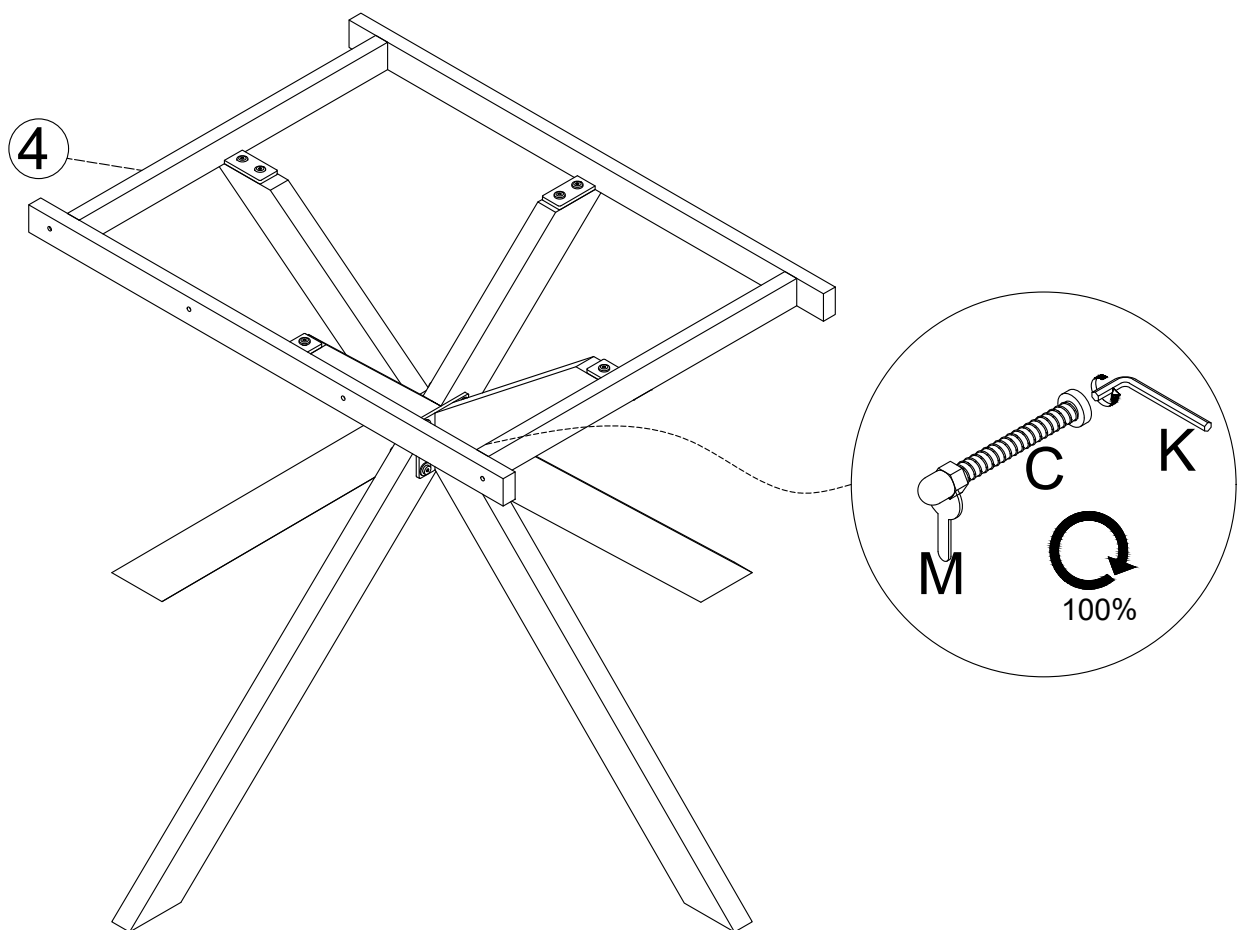


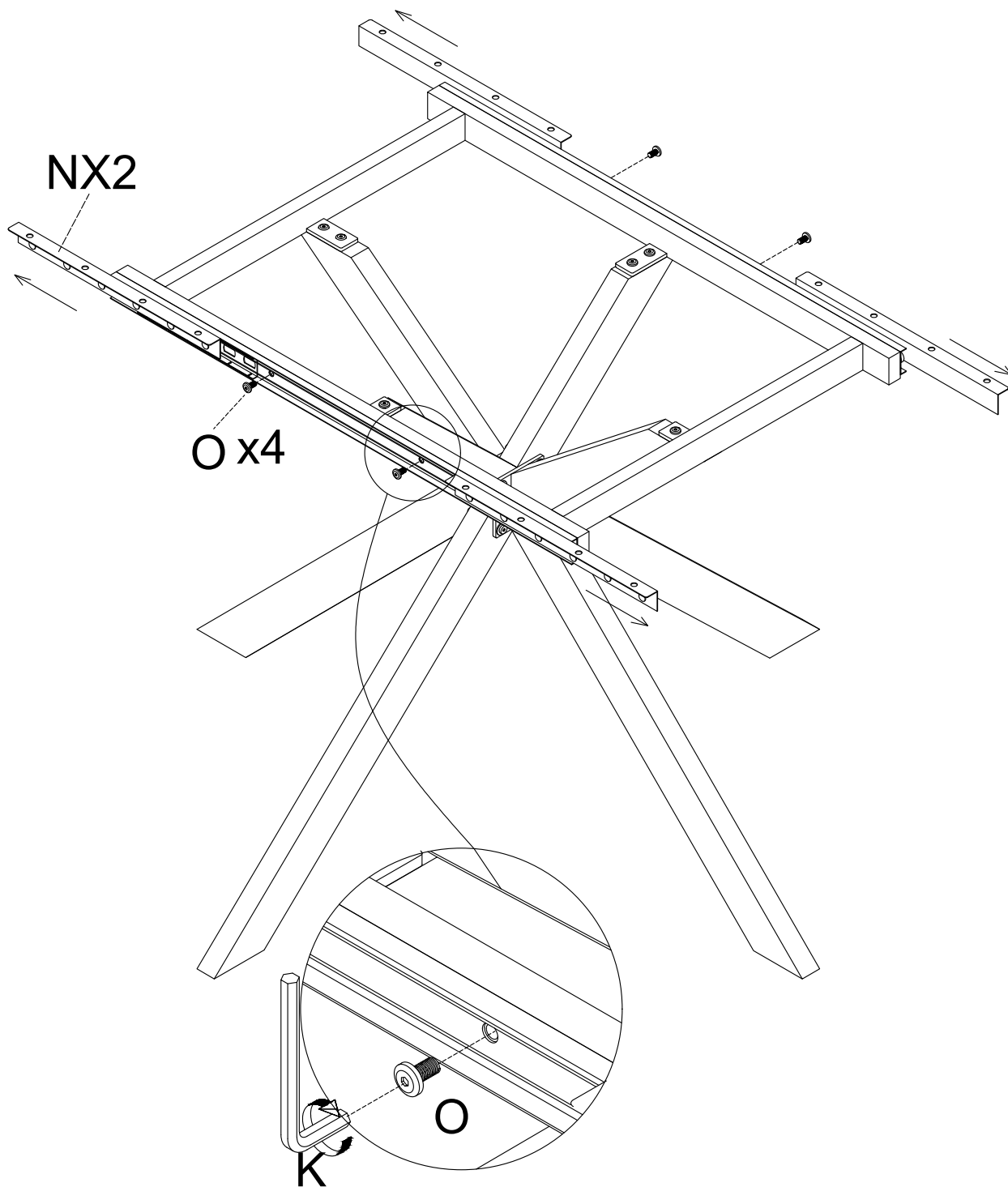
Kx1	Mx1	Ex4
 4mm		 M6

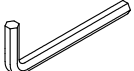

12

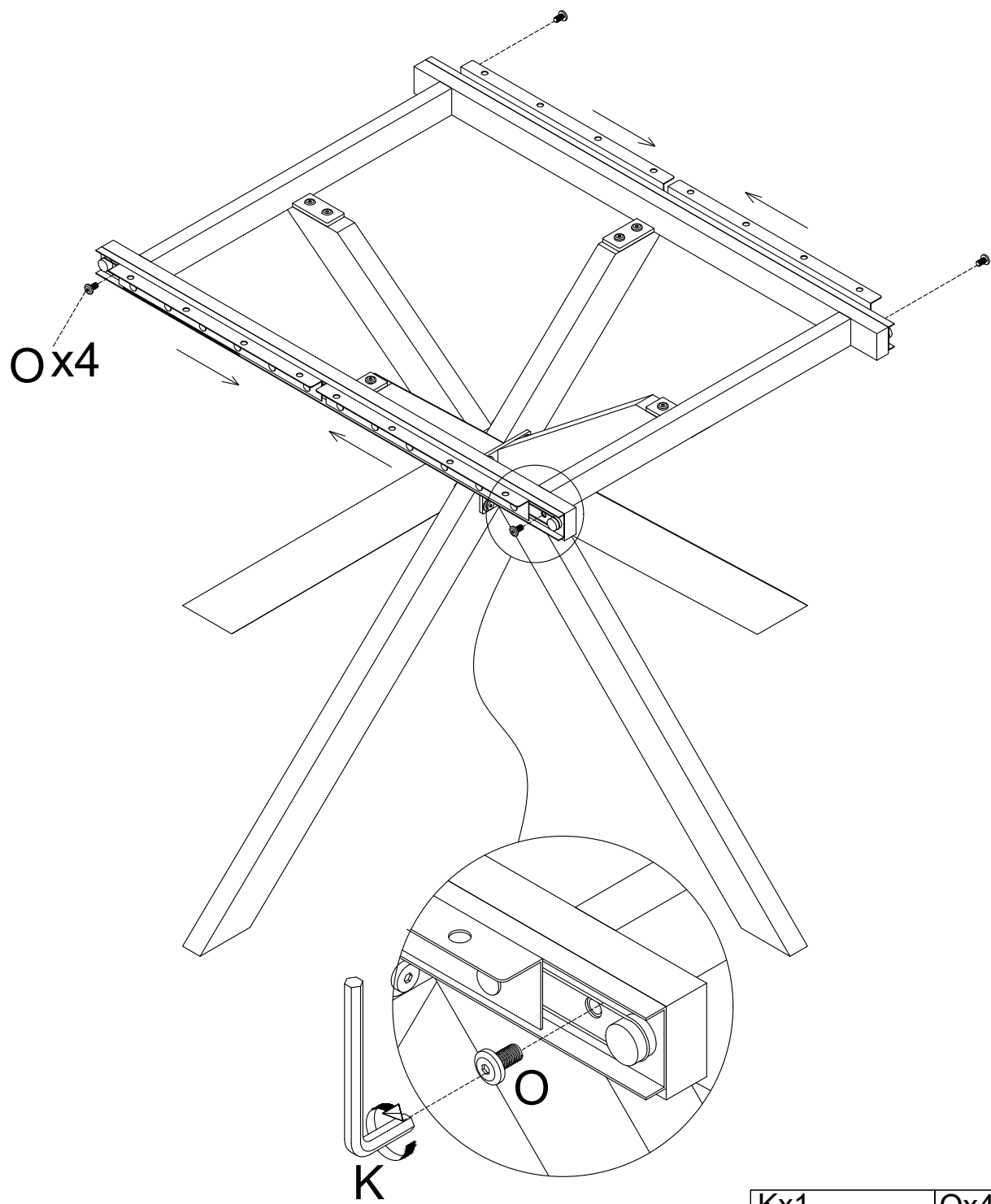


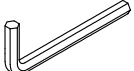

13

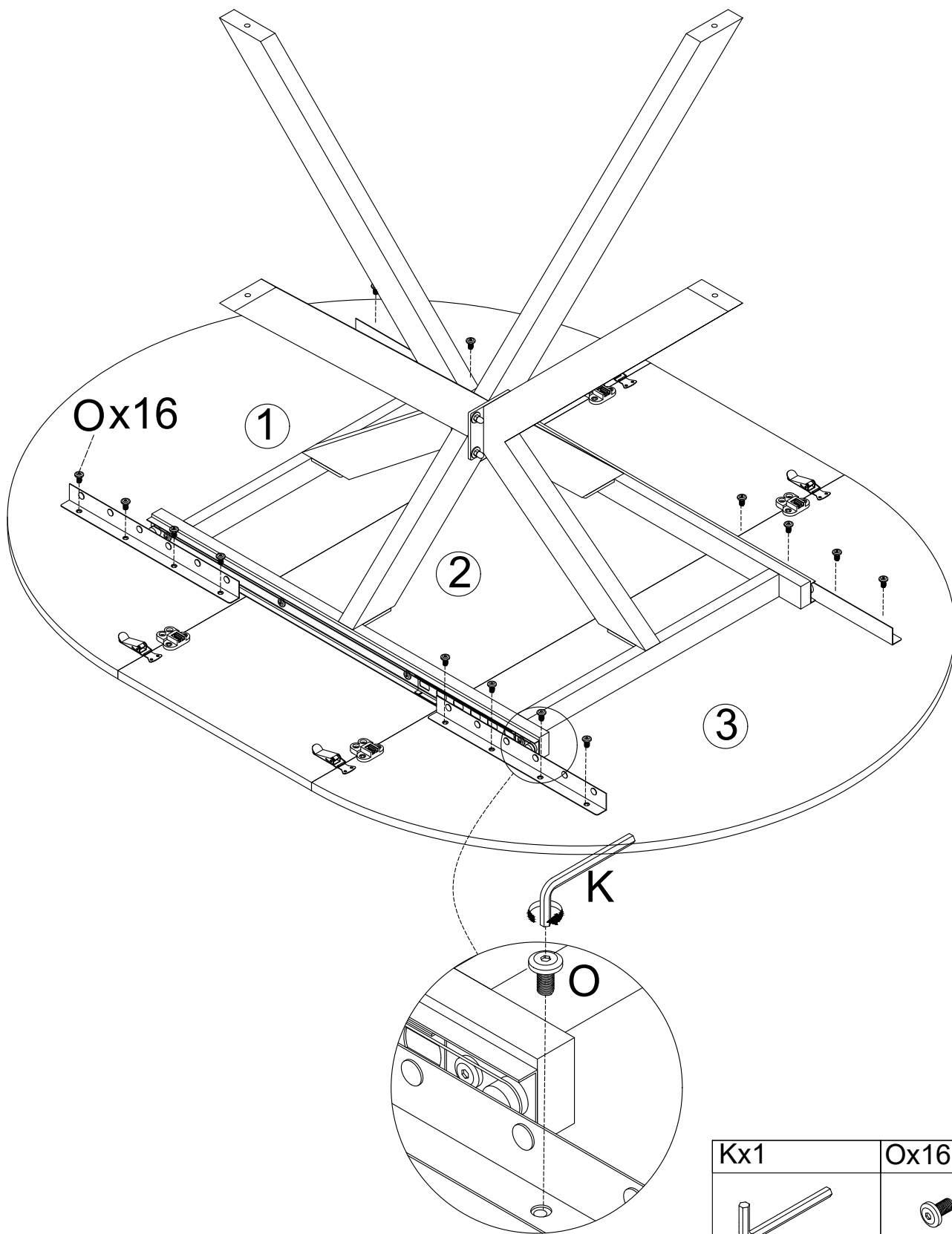


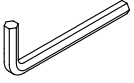



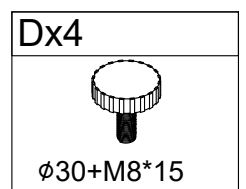
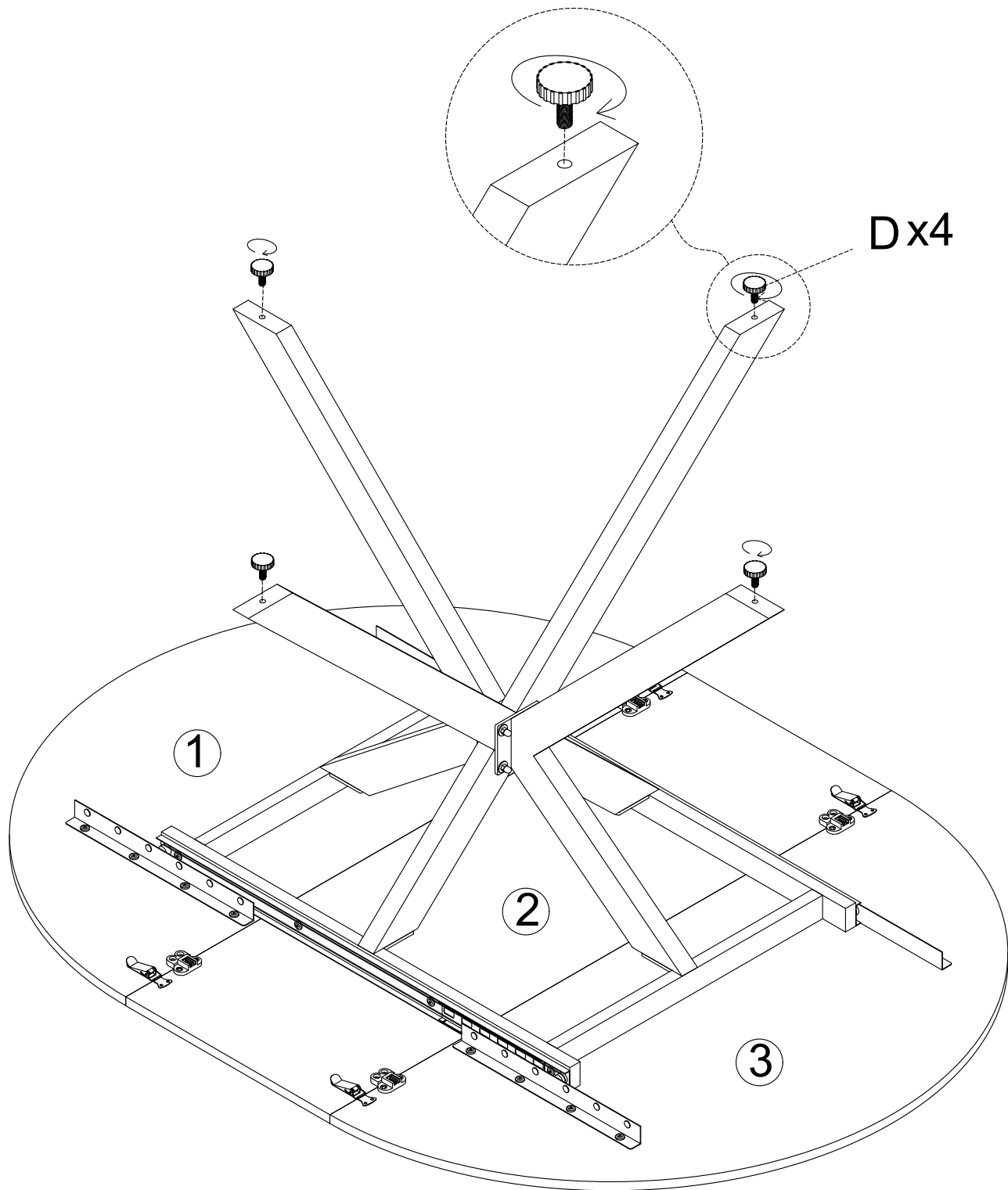
Kx1	Ox4
 4mm	 6*12mm



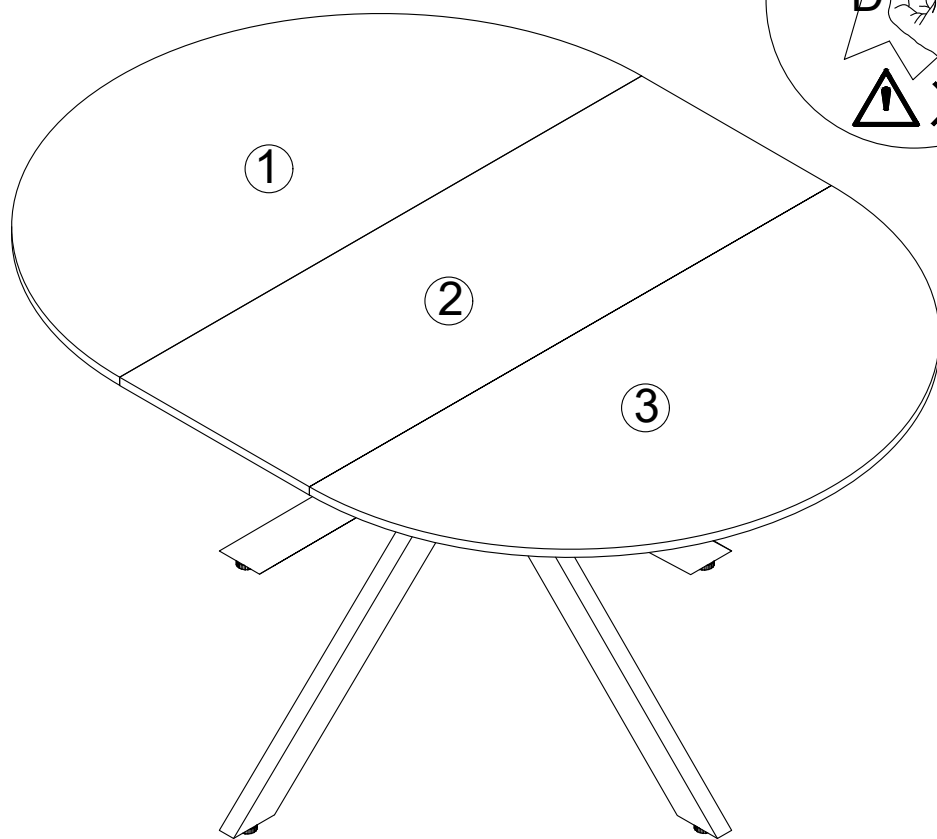
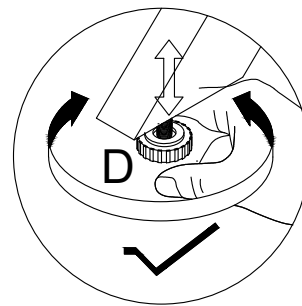
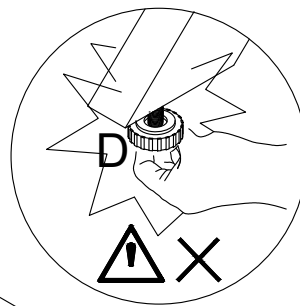
Kx1	Ox4
 4mm	 6*12mm



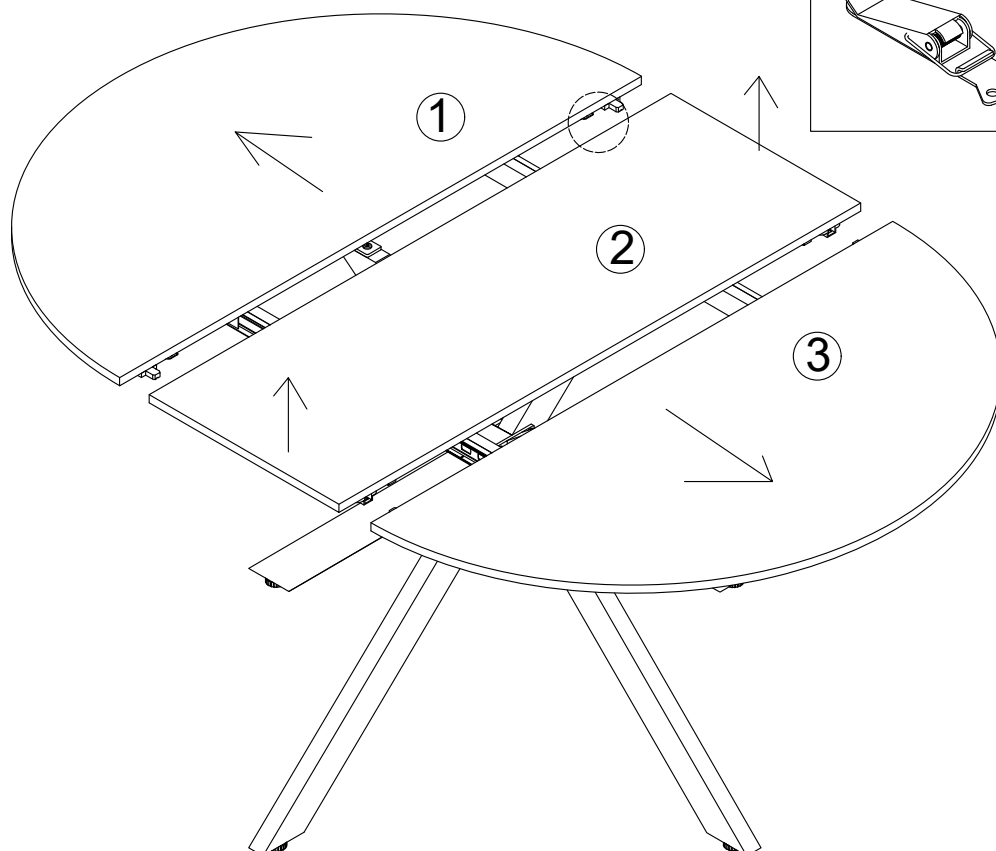
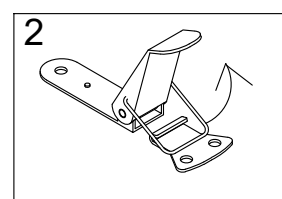
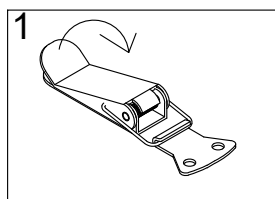
Kx1	Ox16
 <p data-bbox="1189 2193 1255 2221">4mm</p>	 <p data-bbox="1362 2161 1478 2189">6*12mm</p>



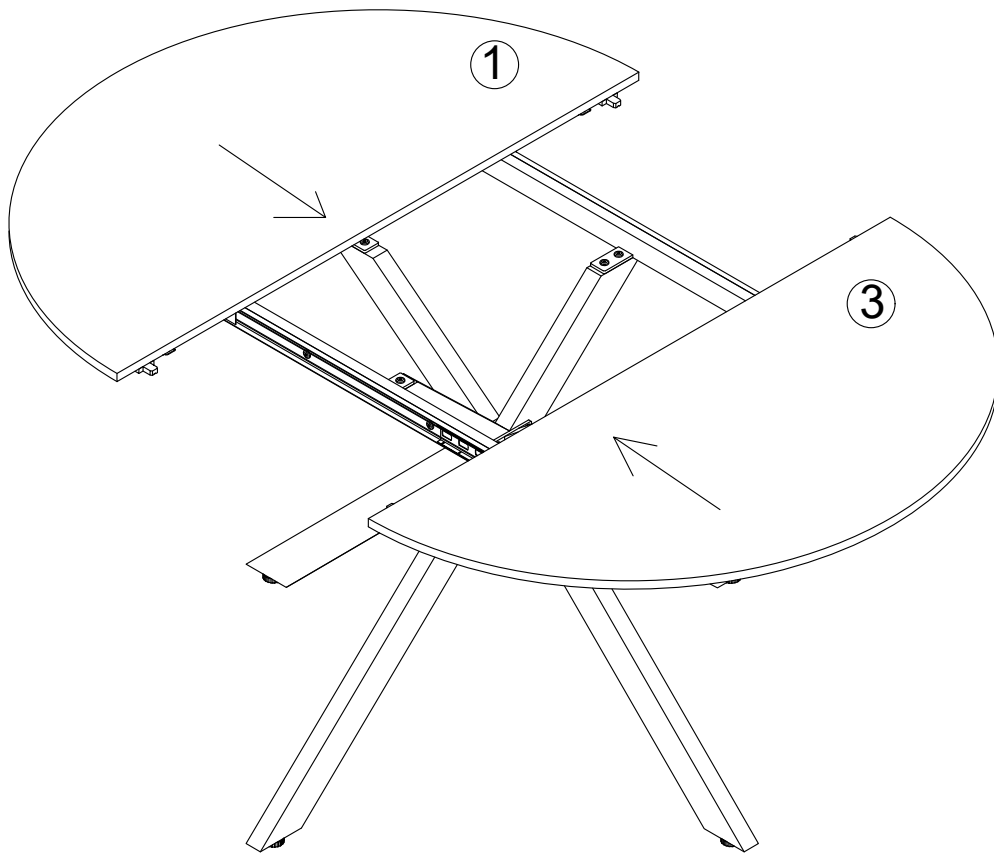
18



19



20



21

