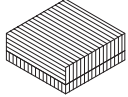




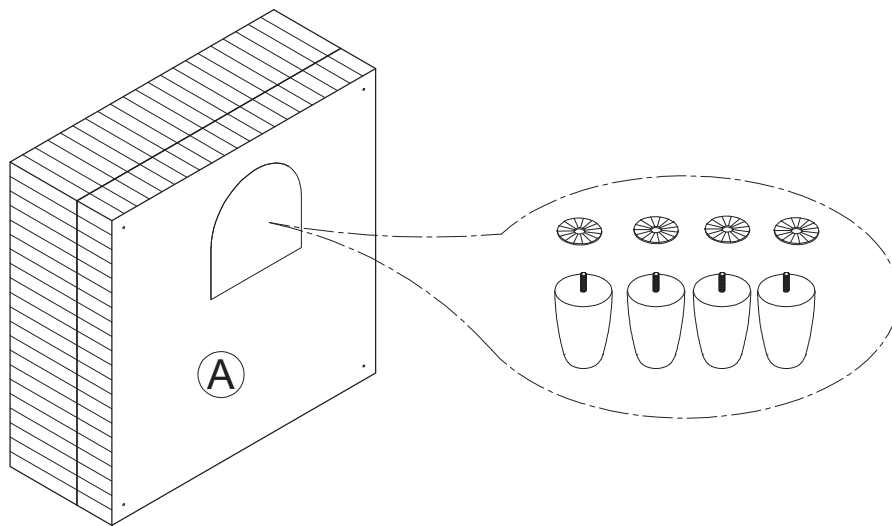
ASSEMBLY INSTRUCTION

OTTOMAN

LEGS, HARDWARE ARE STORED IN THE BOTTOM OF THE SEAT, PLEASE TAKE OUT FOR ASSEMBLY.

NO.	PARTS LIST	QTY	DESCRIPTION
A		1	Ottoman
B	 3-1/8" x 5-1/8"	4	Wooden Leg
C		4	Washer

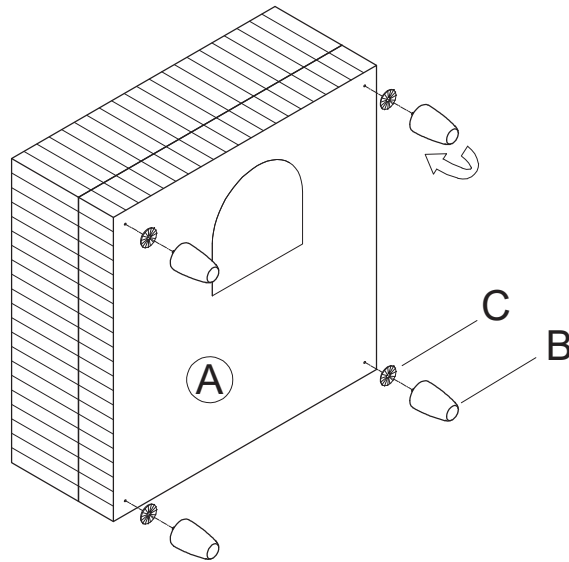
STEP 1:



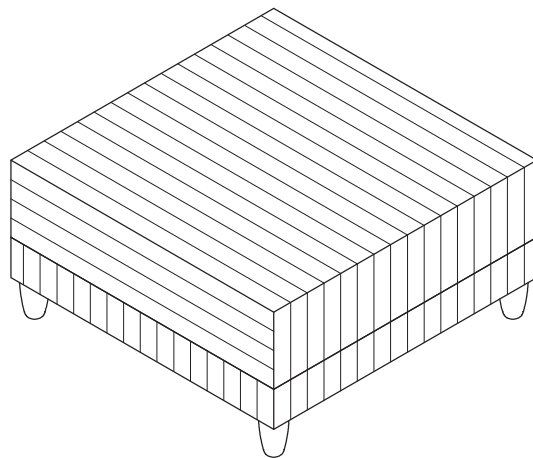
ASSEMBLY INSTRUCTION

OTTOMAN

STEP 2:



STEP 3 (Completed) :



CARE INSTRUCTION FOR FABRIC FURNITURE



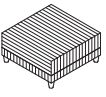
In order to maintain the original appearance of your fabric furniture, please follow below simple care procedures.

°Avoid exposing furniture directly to sunlight or heating and air conditioning outlets. Exposure to sunlight or heating and air conditioning outlets will fade/damage fabric.

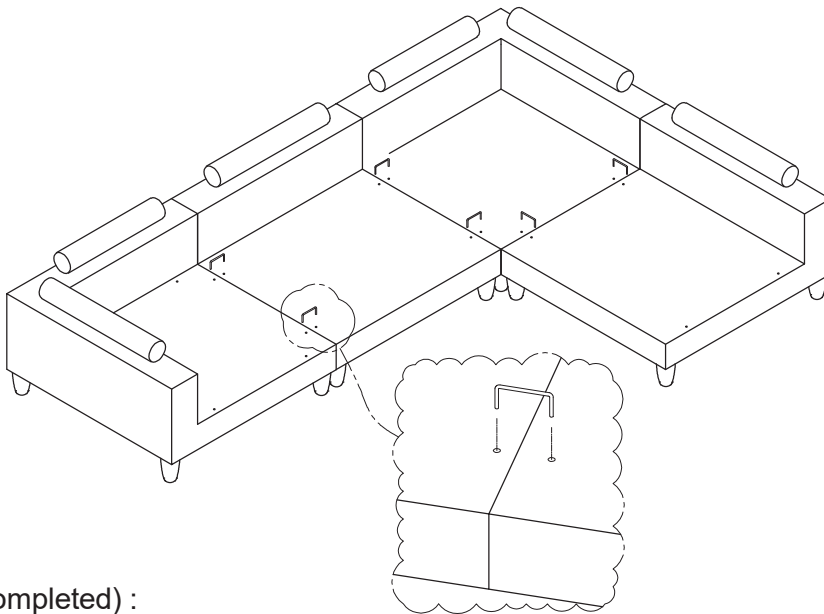
°Wipe gently with a damp soft cloth to remove dust, dirt and any grime build up.

ASSEMBLY INSTRUCTION

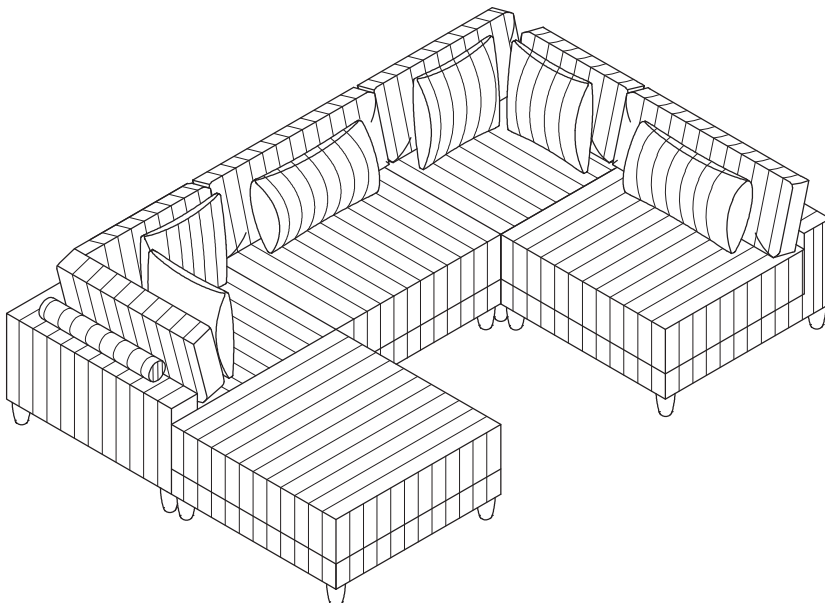
OTTOMAN

NO.	PARTS LIST	QTY	DESCRIPTION
A		2	ARMLESS CHAIR
B		2	CORNER SEAT
C		1	OTTOMAN

STEP 1 :



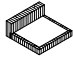







STEP 2 (Completed) :



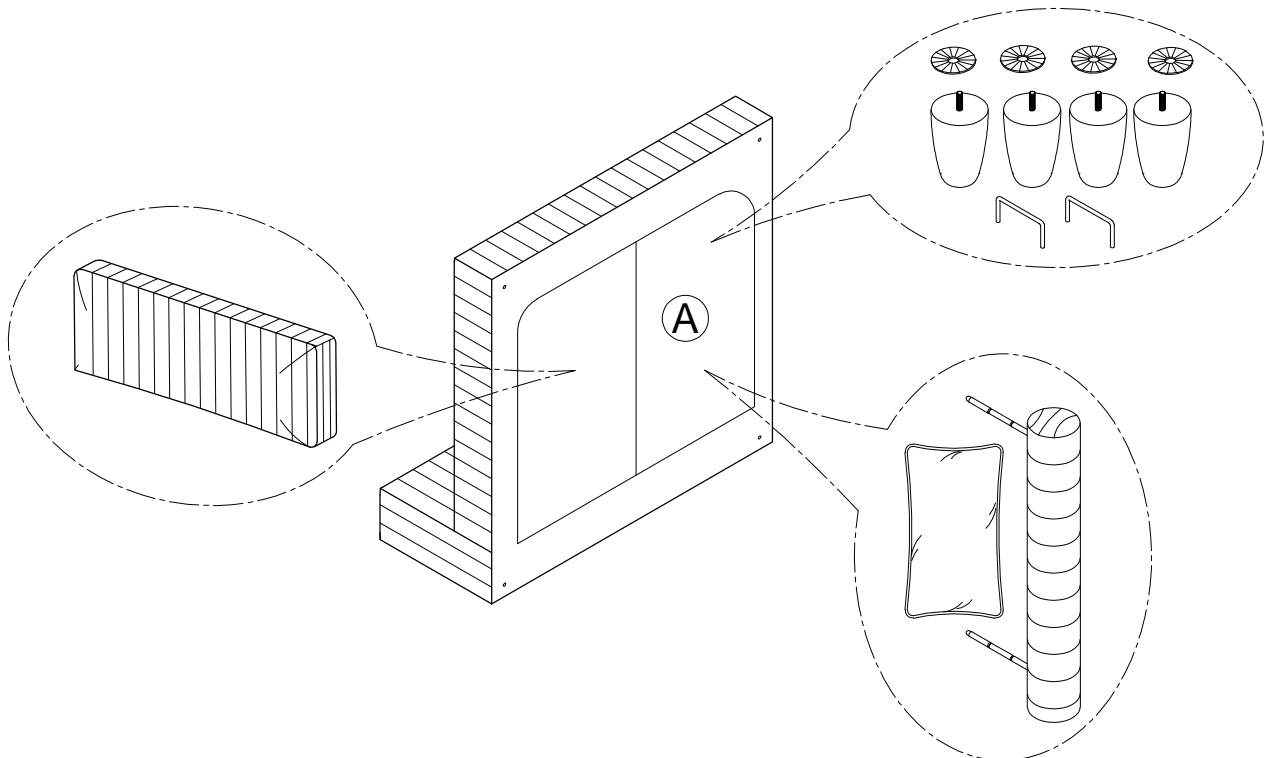
ASSEMBLY INSTRUCTION

ARMLESS CHAIR

LEGS, HARDWARE, BACK CUSHION, PILLOW, HEADREST ARE STORED IN THE BOTTOM OF THE SEAT, PLEASE TAKE OUT FOR ASSEMBLY.

NO.	PARTS LIST	QTY	DESCRIPTION
A		1	Seat Frame
B		1	Seat Cushion
C		1	Headrest
D	 40**17-1/2"	1	Back Cushion
E	 27-1/4**15-1/4"	1	Pillow
F	 Ø3-1/8**5-1/8"	4	Wooden Leg
G		4	Washer
H		2	Connector

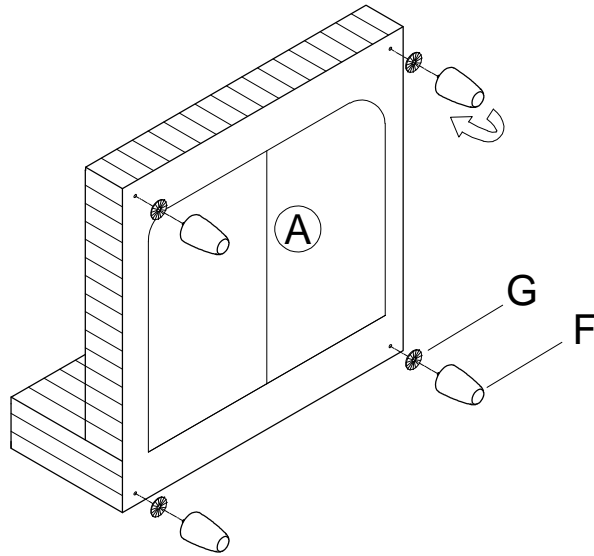
STEP 1:



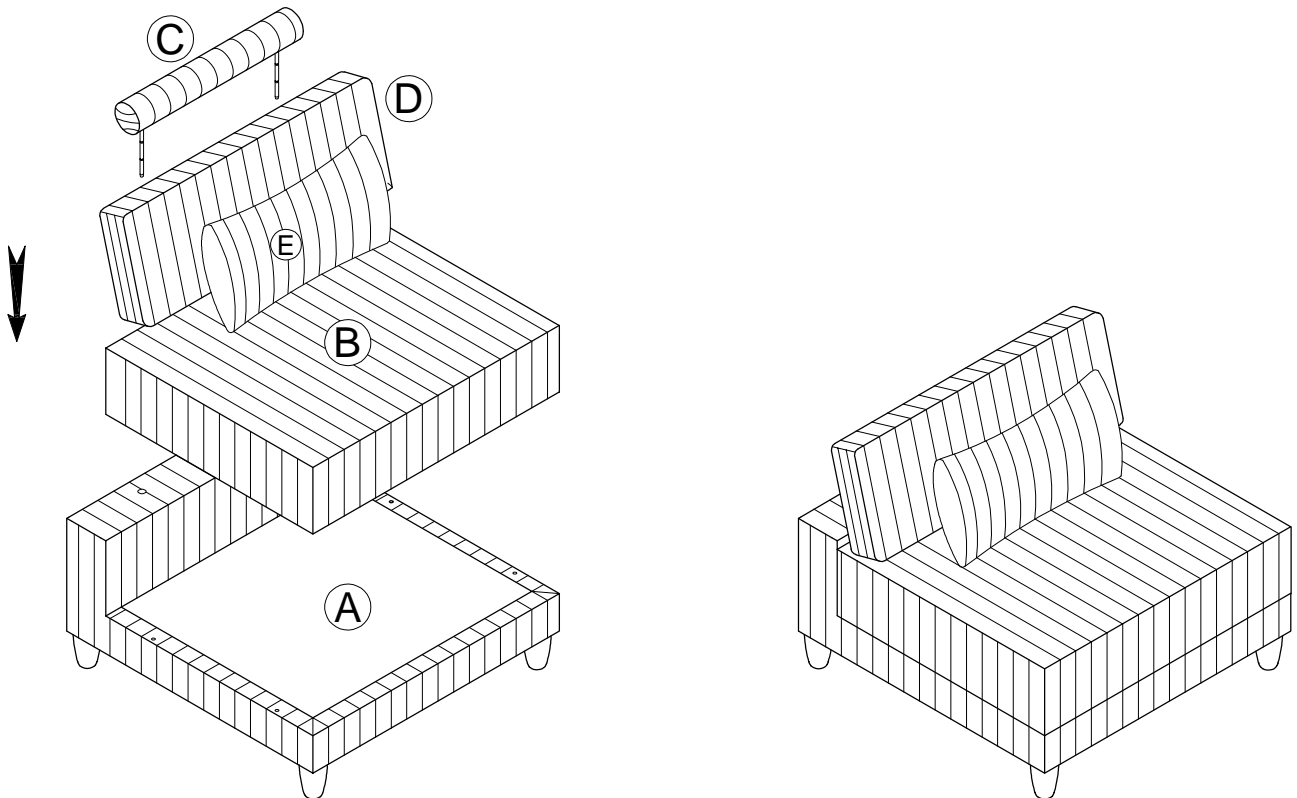
ASSEMBLY INSTRUCTION

ARMLESS CHAIR

STEP 2:



STEP 3 (Completed) :



CARE INSTRUCTION FOR FABRIC FURNITURE



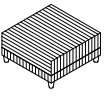
In order to maintain the original appearance of your fabric furniture, please follow below simple care procedures.

°Avoid exposing furniture directly to sunlight or heating and air conditioning outlets. Exposure to sunlight or heating and air conditioning outlets will fade/damage fabric.

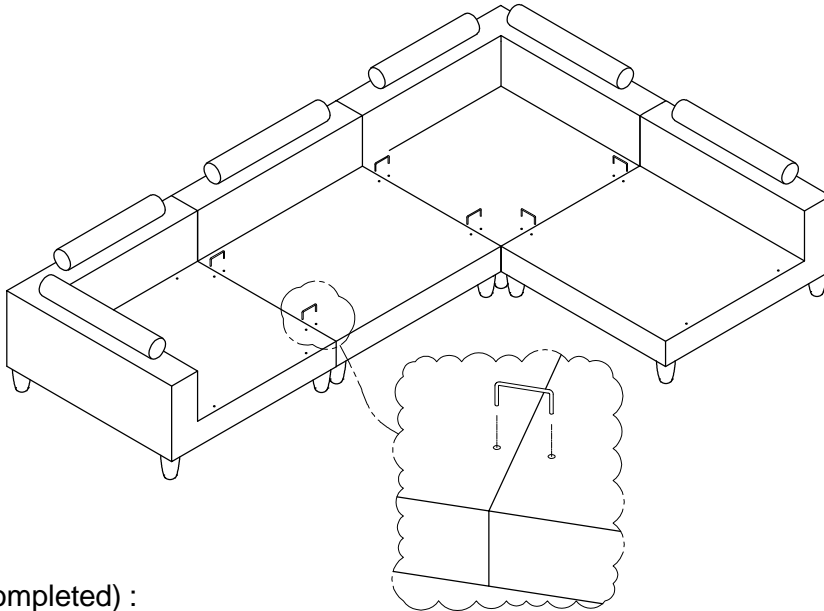
°Wipe gently with a damp soft cloth to remove dust, dirt and any grime build up.

ASSEMBLY INSTRUCTION

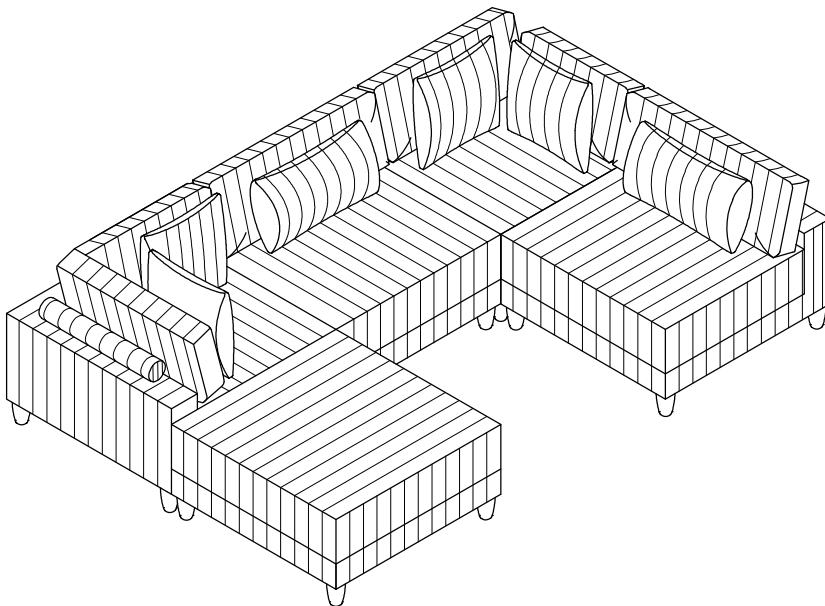
ARMLESS CHAIR

NO.	PARTS LIST	QTY	DESCRIPTION
A		2	ARMLESS CHAIR
B		2	CORNER SEAT
C		1	OTTOMAN

STEP 1 :



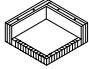
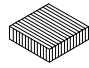
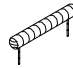





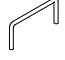
STEP 2 (Completed) :



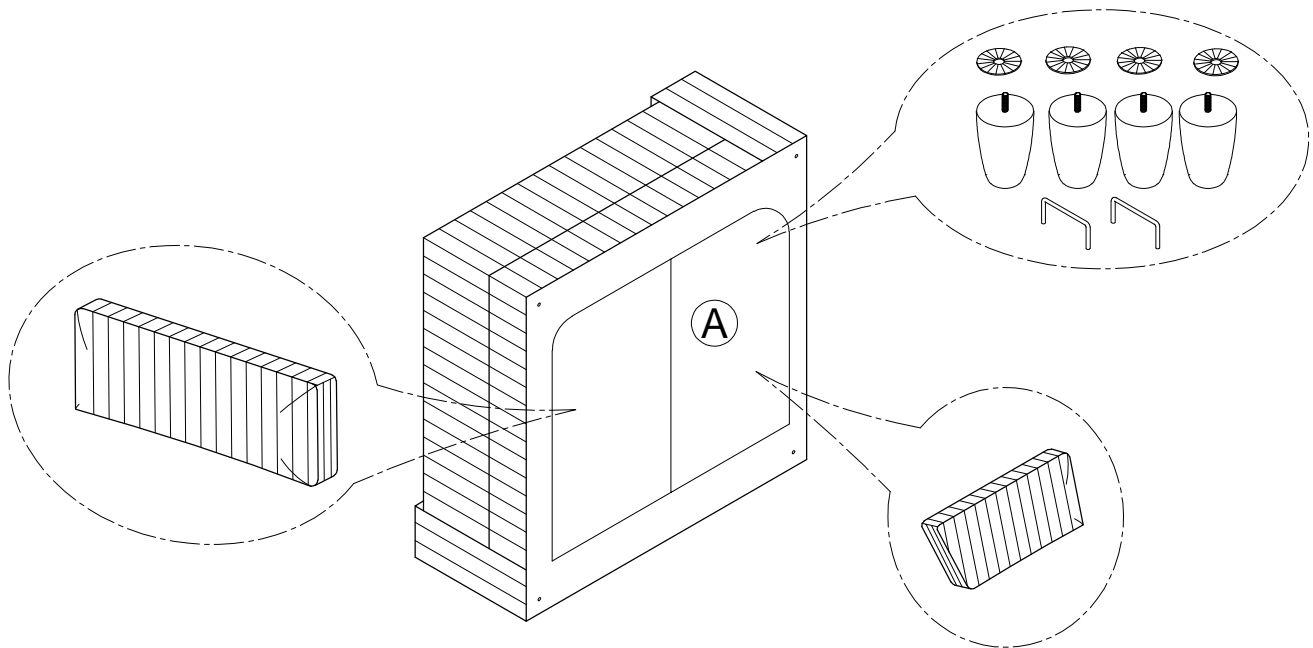
ASSEMBLY INSTRUCTION

CORNER SEAT

LEGS, HARDWARE, BACK CUSHION ARE STORED IN THE BOTTOM OF THE SEAT, PLEASE TAKE OUT FOR ASSEMBLY.

NO.	PARTS LIST	QTY	DESCRIPTION
A		1	Seat Frame
B		1	Seat Cushion
C		2	Headrest
D	 38"*17"	1	Back Cushion
E	 31-1/2"*17"	1	Back Cushion
F	 17"*17"	2	Pillow
G	 Ø3-1/8"*5-1/8"	4	Wooden Leg
H		4	Washer
I		2	Connector

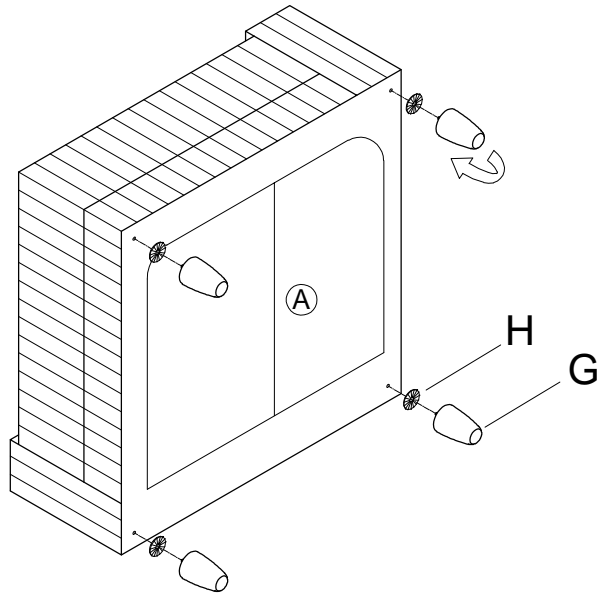
STEP 1:



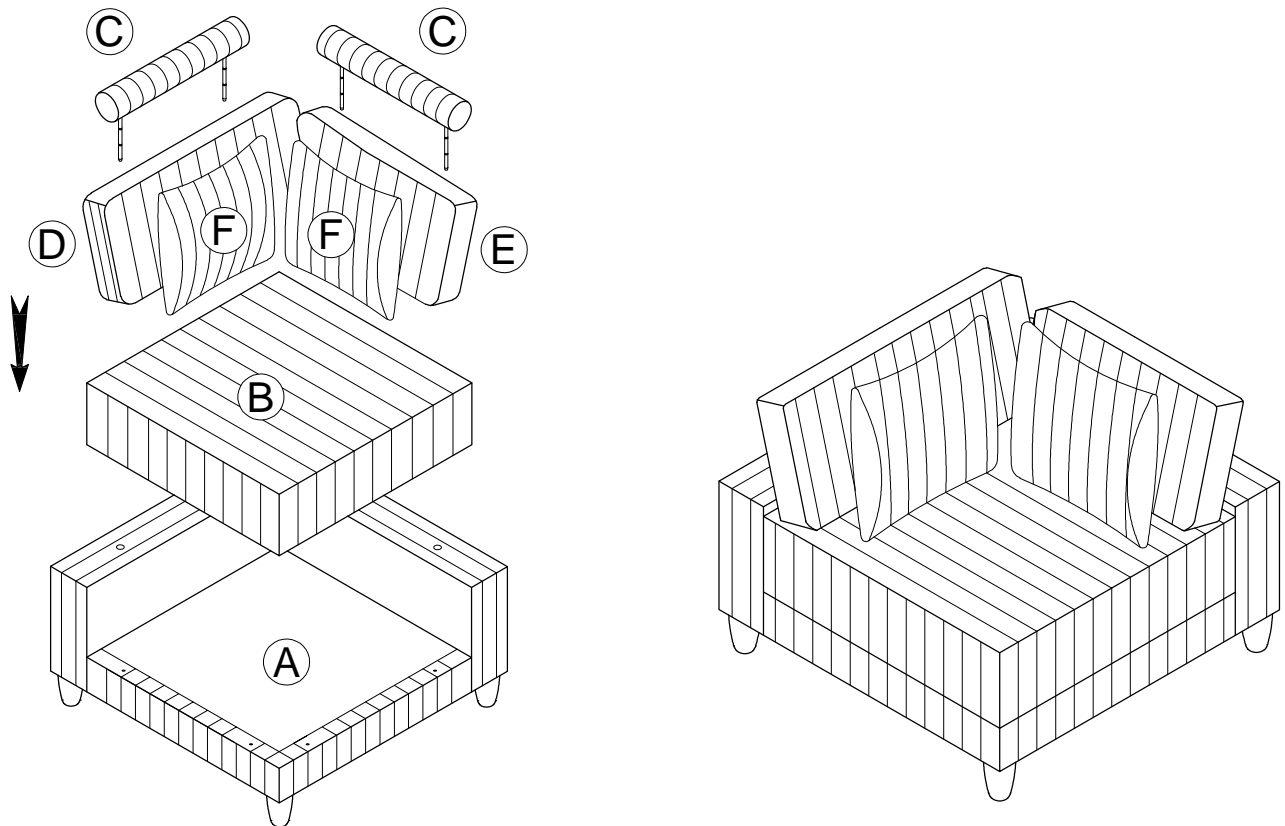
ASSEMBLY INSTRUCTION

CORNER SEAT

STEP 2:



STEP 3 (Completed) :



CARE INSTRUCTION FOR FABRIC FURNITURE



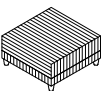
In order to maintain the original appearance of your fabric furniture, please follow below simple care procedures.

°Avoid exposing furniture directly to sunlight or heating and air conditioning outlets. Exposure to sunlight or heating and air conditioning outlets will fade/damage fabric.

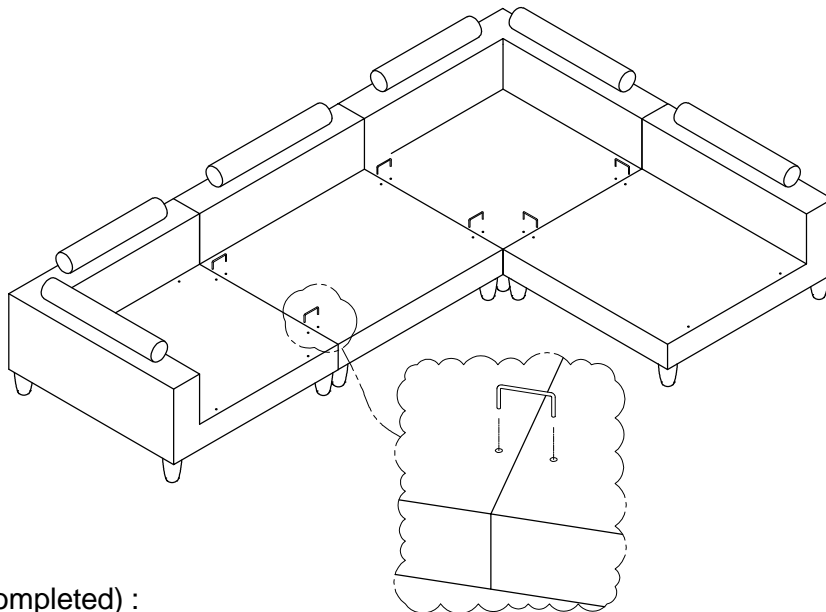
°Wipe gently with a damp soft cloth to remove dust, dirt and any grime build up.

ASSEMBLY INSTRUCTION

CORNER SEAT

NO.	PARTS LIST	QTY	DESCRIPTION
A		2	ARMLESS CHAIR
B		2	CORNER SEAT
C		1	OTTOMAN

STEP 1 :



STEP 2 (Completed) :

