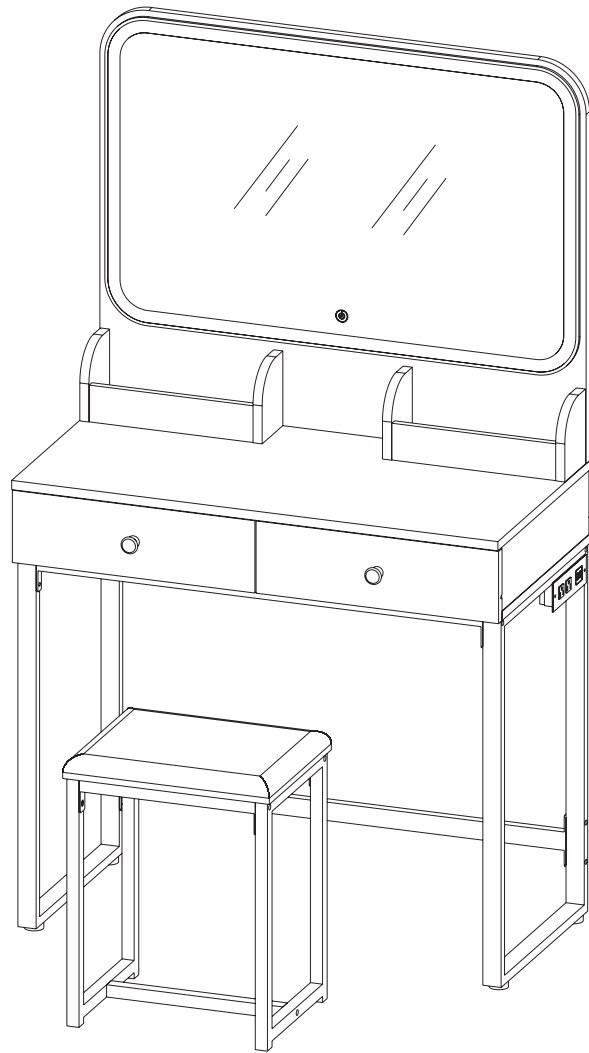


---

## INSTALLATION MANUAL

---



## SPECIFICATIONS

DIMENSION	COLOR
31" x 16"x 55"	White/black
PARAMETER	SPECIFICATION
Color Temperature	3000K-6000K
Input Voltage	AC100-120V
Output Voltage	24V DC
Wiring Method	Plug-in
Switch	Touch Sensor Switch

## BEFORE INSTALLATION

To ensure the best possible experience, please read carefully and follow the instructions provided below before assembling and installing the product.

### 1. Important Safety Instructions:

- Assembly by two or more adults is highly recommended, in order to ensure proper installation.
- Disconnect power before installing, adding or changing any components.
- To prevent injury, the products must be installed according to the instructions provided.

### 2. Pre-assembly:

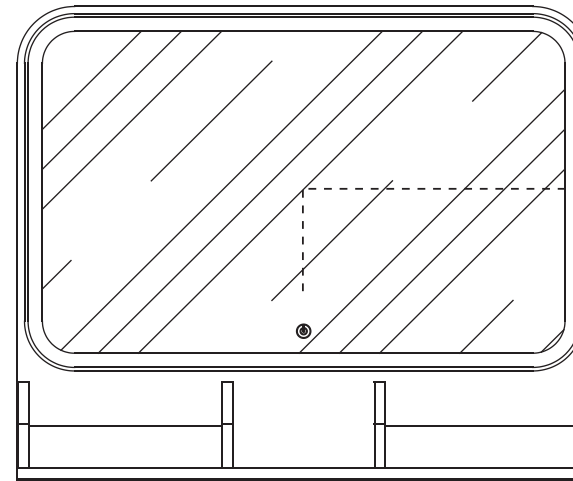
- Inspect the product immediately upon receipt for any transit damage or missing parts.
- The voltage for your product should be between 100V and 120V. If the voltage exceeds 120V, please use a transformer.


### 3. Before Installation :

Please check and make sure that the mirror is functioning properly.

ON/OFF/Brightness (  )

The lighting mode will change as you tap the button: the first tap is white light, the second tap is warm light, and the third one is natural light, and the light will be all off with a fourth tap. The brightness can be adjusted with a long press on the button.



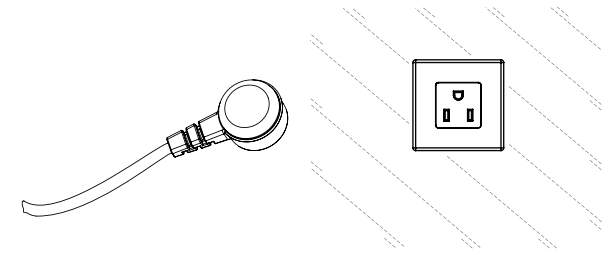
 ON/OFF/Brightness


### 4. Power Connection :

After the product is installed, connect the power by plugging into an outlet or a standard circuit panel.

#### • Plug-in


After the product is safely placed, plug the power cable to a standard socket.




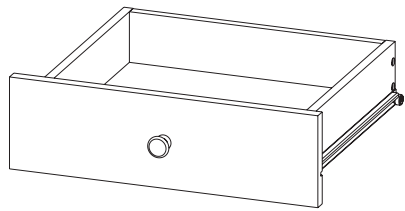
 REMINDER: Please make sure the power is cut off before installation.

## USE INSTRUCTION

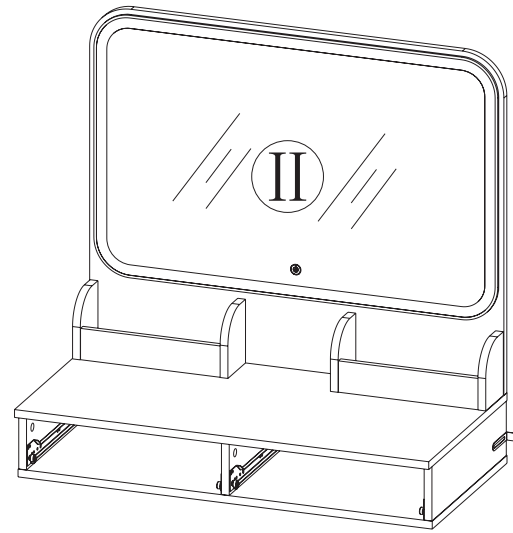
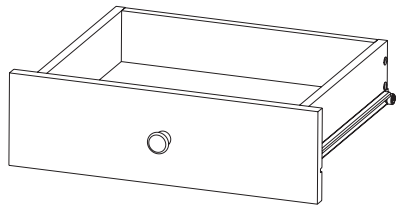
1. Please ensure that the product is used within the safe voltage range of 100V-120V.
2. Please wrap electrical tape around the wires to prevent electrical leakage.
3. Avoid using hard or pointed items to strike the mirror glass so as to prevent.

 CAUTION: Make sure the power is cut off before installation.

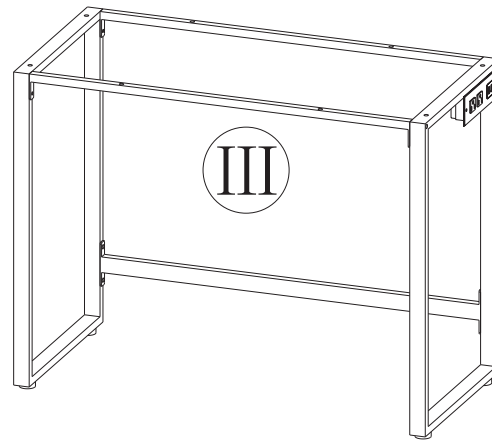
 REMINDER: A qualified technician or electrician is highly recommended.



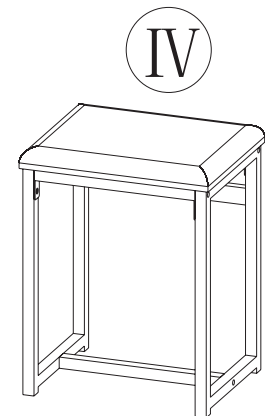
I



II



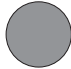

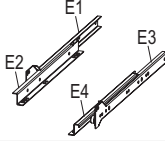

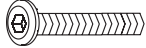
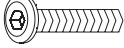








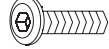
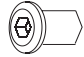
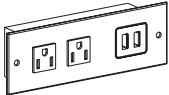
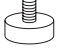



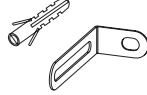
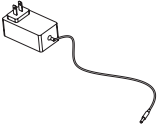
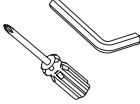


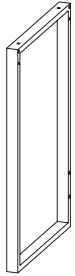
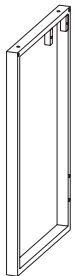

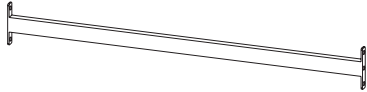
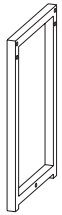



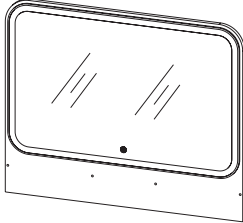


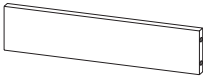
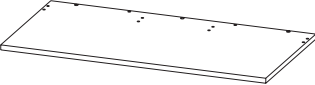
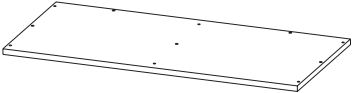
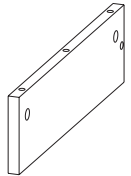
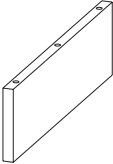
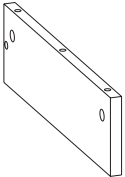
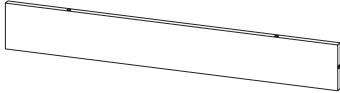
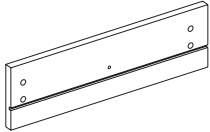
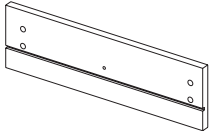
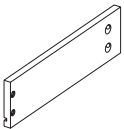
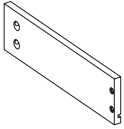
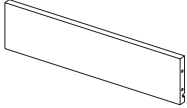
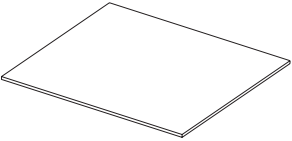
III



IV

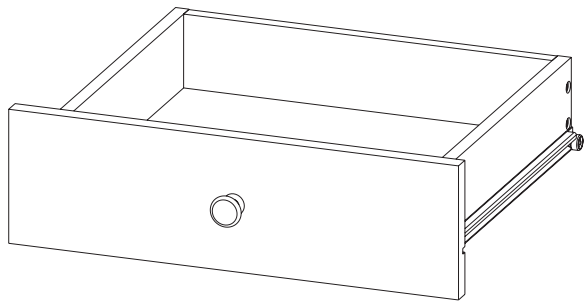
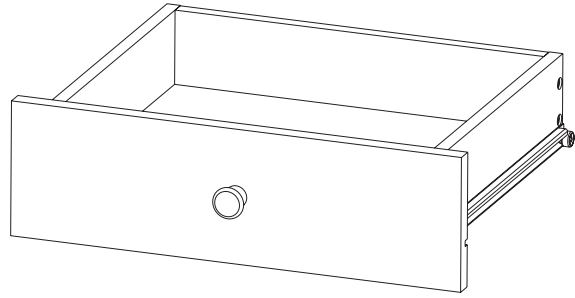
# Hardware

<p>A x21</p>  <p>M6x40mm</p>	<p>B x21</p>  <p><math>\phi</math> 15x10mm</p>	<p>C x21</p> 	<p>D x31</p>  <p>ST6x40mm</p>	<p>E x2</p> 	<p>F x16</p>  <p>ST3x14mm</p>
<p>G x4</p>  <p>M6x45mm</p>	<p>H x10</p>  <p>M6x35mm</p>	<p>I x8</p>  <p>M6x25mm</p>	<p>J x8</p>  <p>M6x12mm</p>	<p>K x5</p>  <p><math>\phi</math> 8x35mm</p>	<p>L x8</p>  <p><math>\phi</math> 6x30mm</p>
<p>M x2</p>  <p>M4x18mm</p>	<p>N x2</p> 	<p>O x2</p>  <p>M4x22mm</p>	<p>P x2</p>  <p>M4</p>	<p>Q x4</p>  <p>M6x30mm</p>	<p>R x4</p>  <p>M6</p>
<p>S x1</p> 	<p>T x4</p>  <p>M8</p>	<p>U x4</p>  <p>ST4x14mm</p>	<p>V x2</p>  <p>ST4x40mm</p>	<p>W x6</p> 	<p>X x2</p> 
<p>Y x1</p> 	<p>x1</p> 				

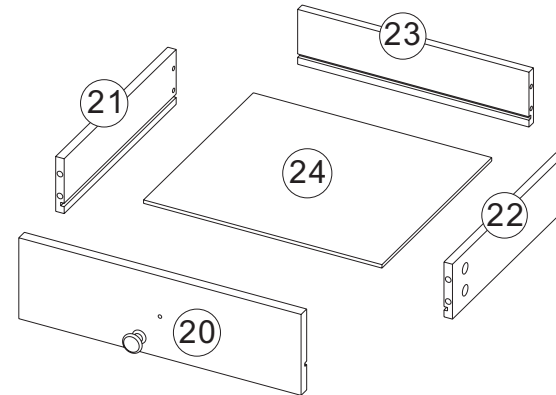
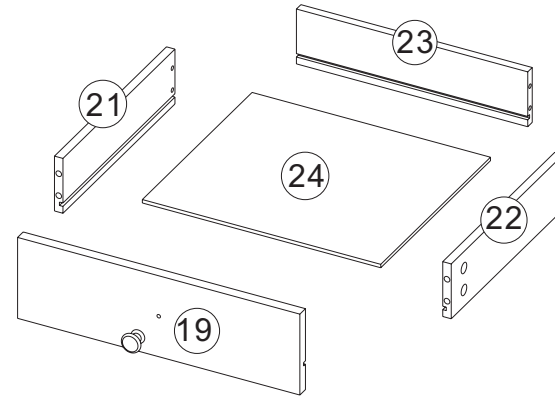
<p>①</p>  <p>1PC</p>	<p>②</p>  <p>1PC</p>	<p>③</p>  <p>2PCS</p>	<p>④</p>  <p>1PC</p>	<p>⑤</p>  <p>2PCS</p>
<p>⑥</p>  <p>2PCS</p>	<p>⑦</p>  <p>1PC</p>	<p>⑧</p>  <p>1PC</p>	<p>⑨</p>  <p>1PC</p>	<p>⑩</p>  <p>2PCS</p>
<p>⑪</p>  <p>2PCS</p>	<p>⑫</p>  <p>2PCS</p>	<p>⑬</p>  <p>1PC</p>	<p>⑭</p>  <p>1PC</p>	<p>⑮</p>  <p>1PC</p>
<p>⑯</p>  <p>1PC</p>	<p>⑰</p>  <p>1PC</p>	<p>⑱</p>  <p>1PC</p>	<p>⑲</p>  <p>1PC</p>	<p>⑳</p>  <p>1PC</p>
<p>㉑</p>  <p>2PCS</p>	<p>㉒</p>  <p>2PCS</p>	<p>㉓</p>  <p>2PCS</p>	<p>㉔</p>  <p>2PCS</p>	

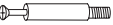
1

# Parts and Hardware for I




I



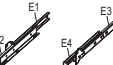
Ax8 

Bx8 

Dx8 

Mx2 

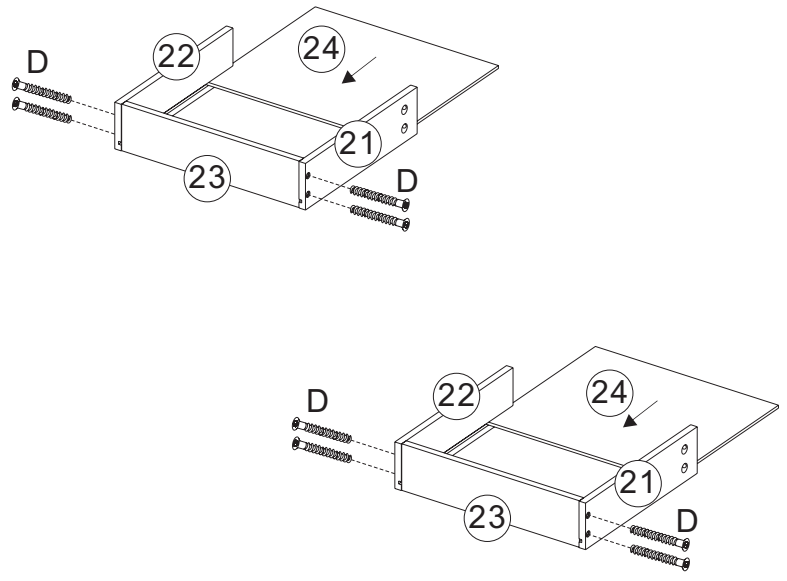
Nx2 

Ex2 

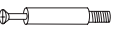
Fx8 

2

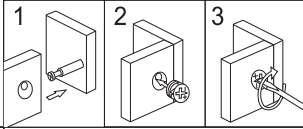
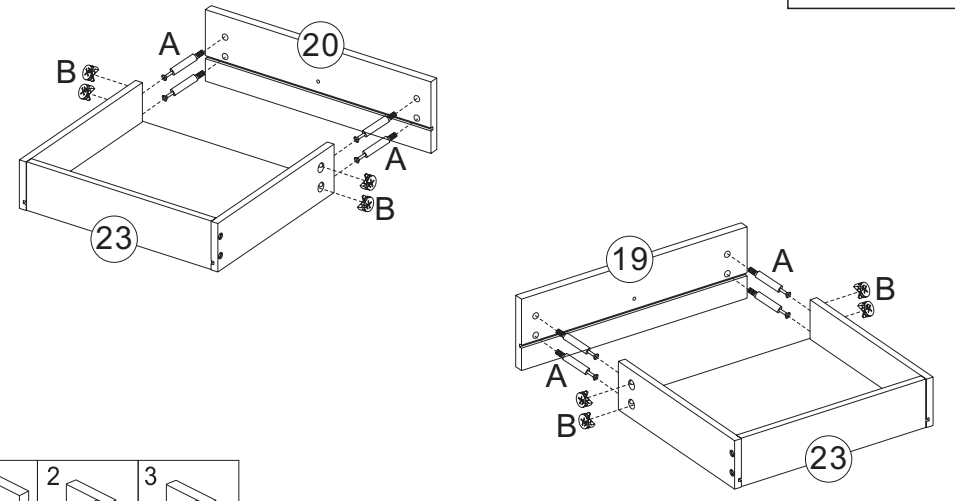
Dx8 



3

Ax8 

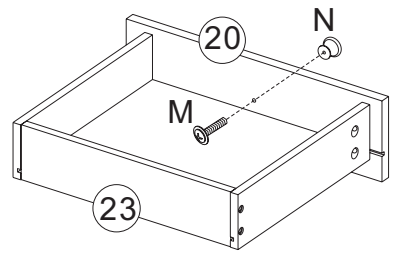
Bx8 



4

Mx1 

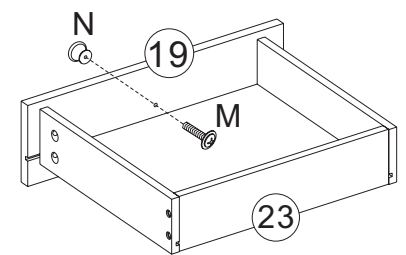
Nx1 



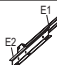


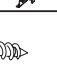

5

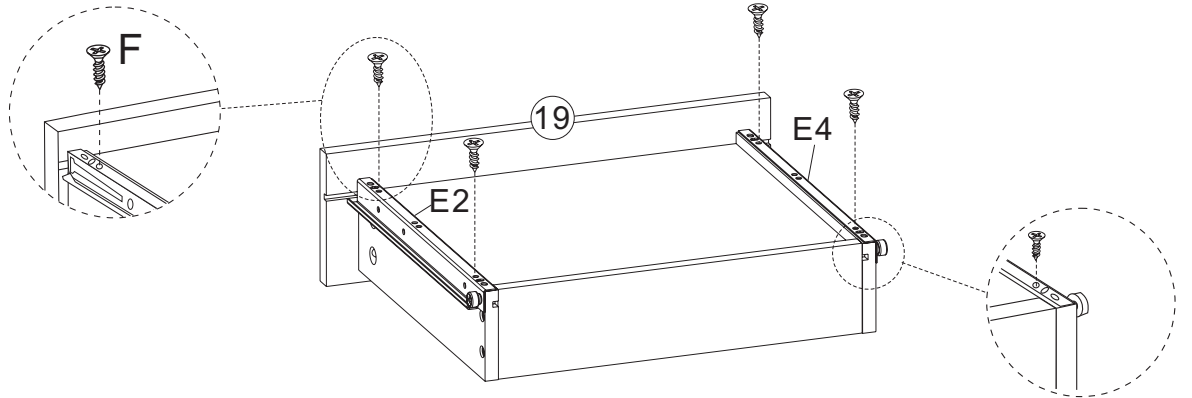
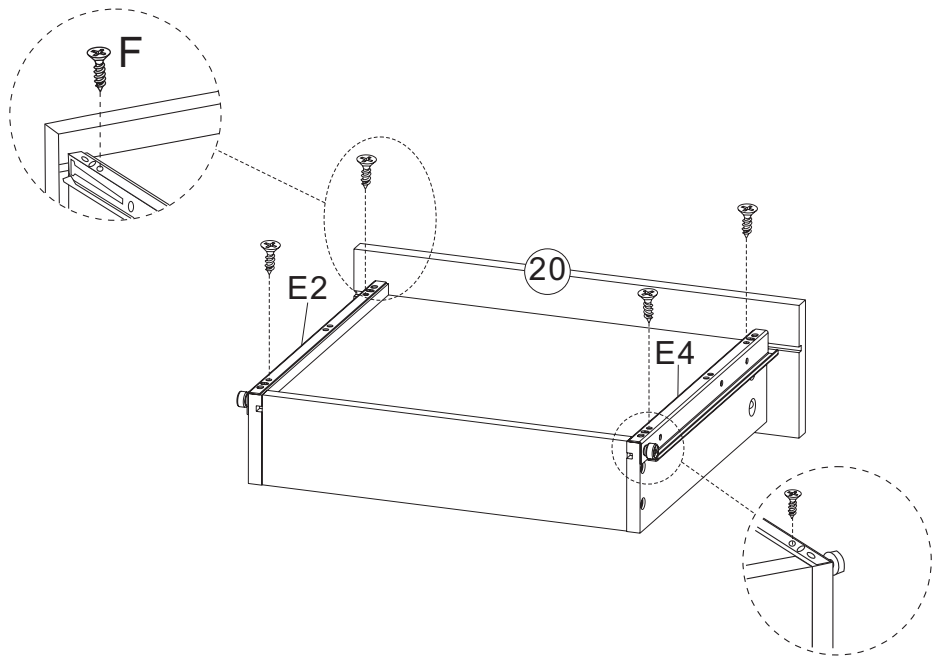
Mx1 

Nx1 

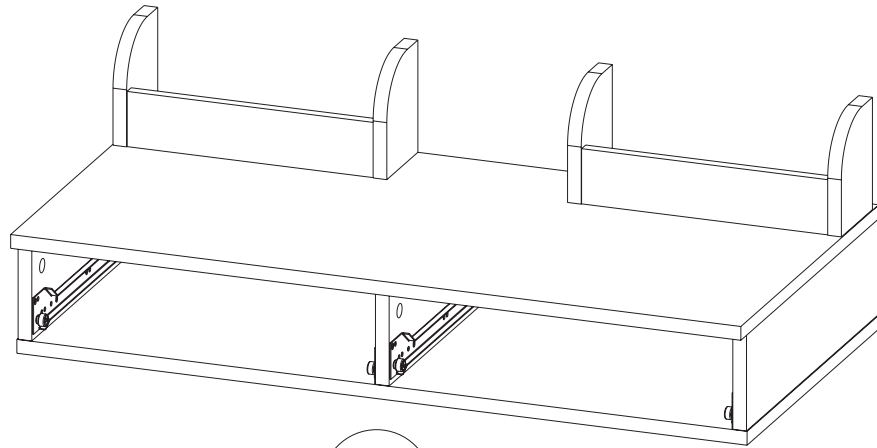


6

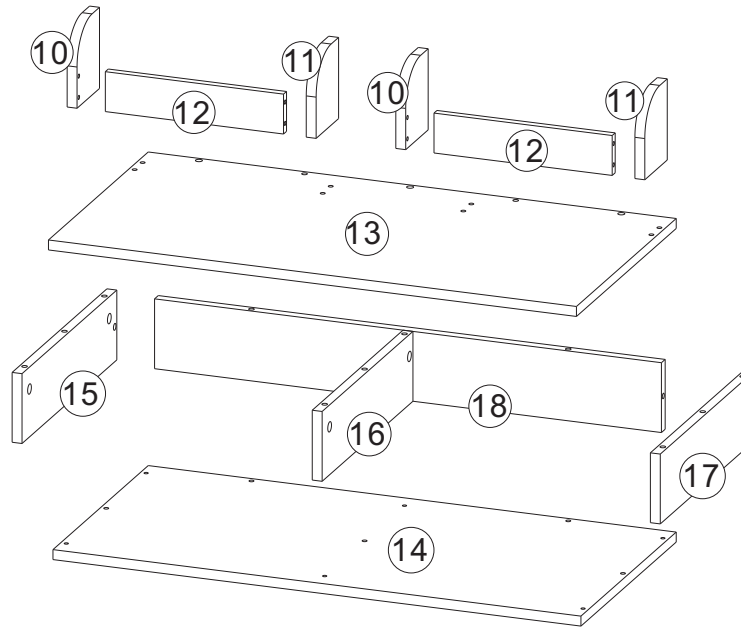
Ex2      
Fx8 



# Parts and Hardware for II




II



Ax10 

Bx10 

Dx19 

Ex2 

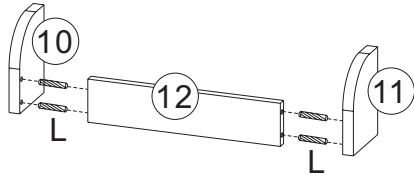
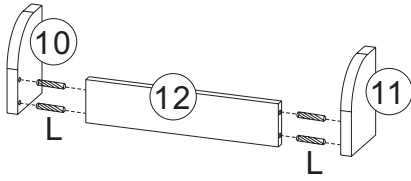
Fx8 

Kx3 

Lx8 

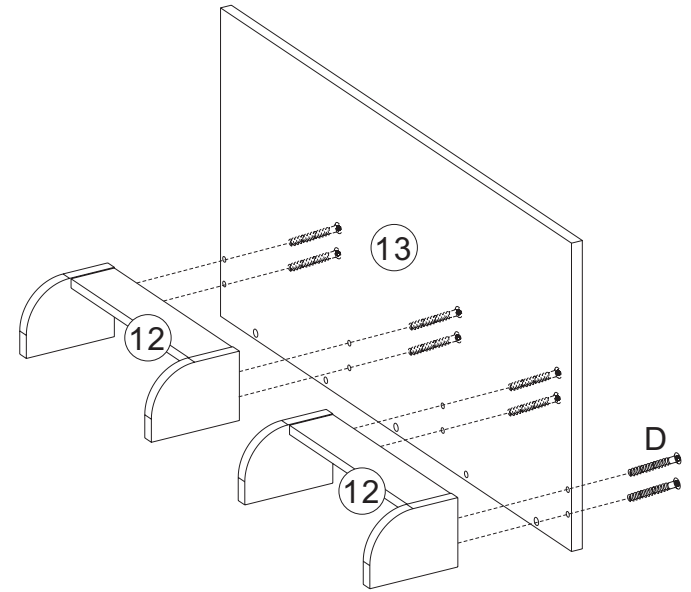
8

Lx8 








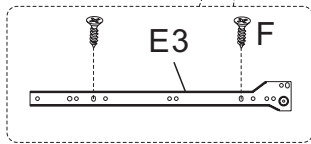
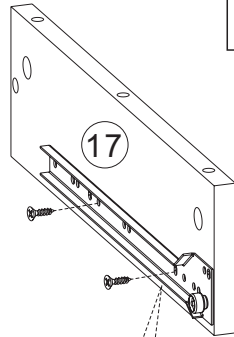
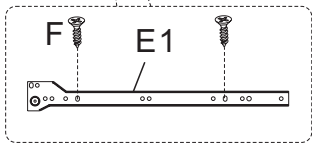
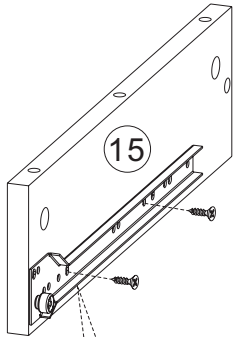
9

Dx8 


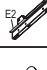





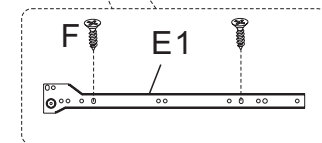
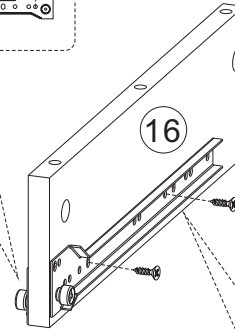
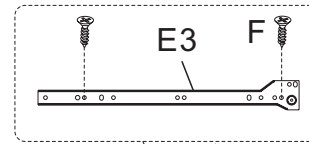
10

Ex1   
E2   
E3   
E4   
Fx4 



11

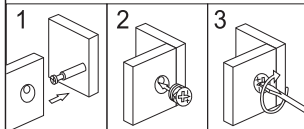
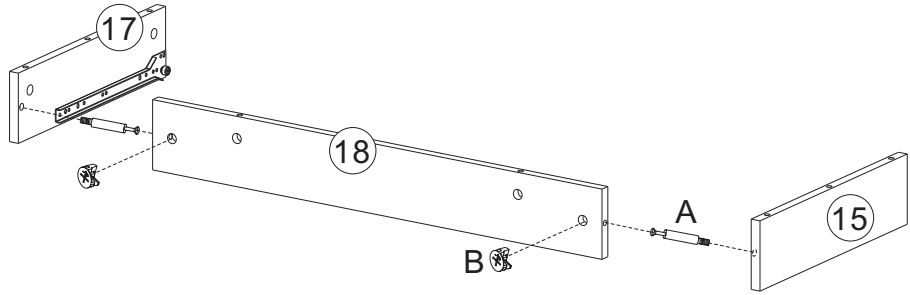
Ex1   
E2   
E3   
E4   
Fx4 




12

Ax2 

Bx2 

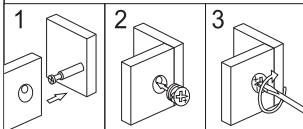
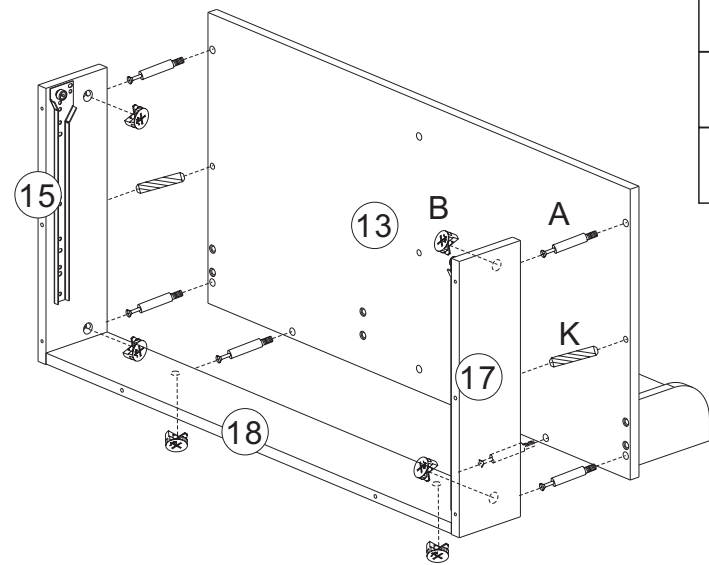


13

Ax6 

Bx6 

Kx2 

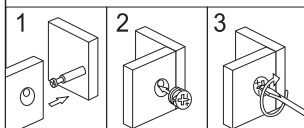
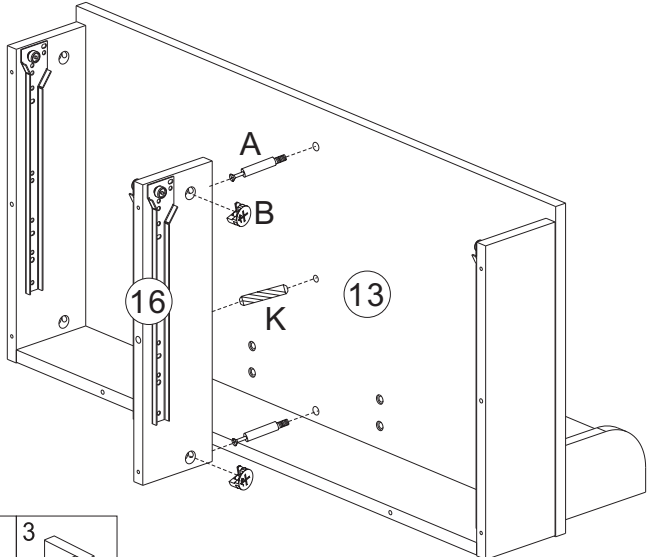


14

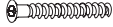
Ax2 

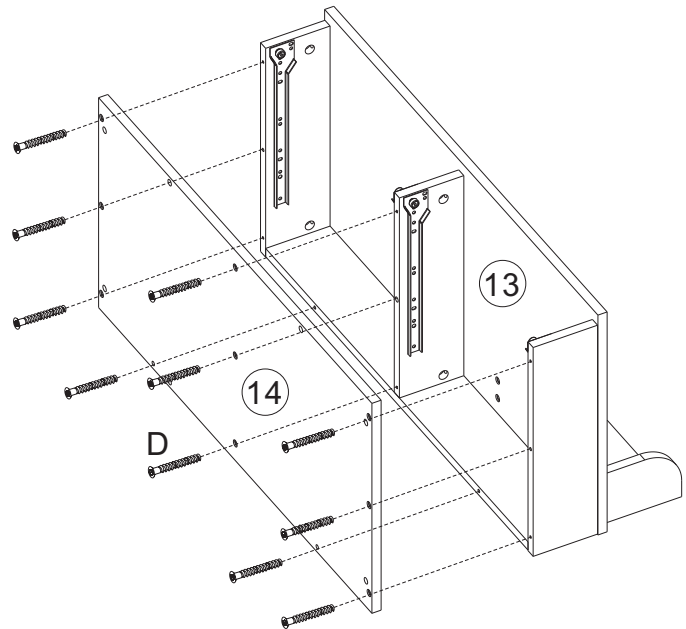
Bx2 

Kx1 

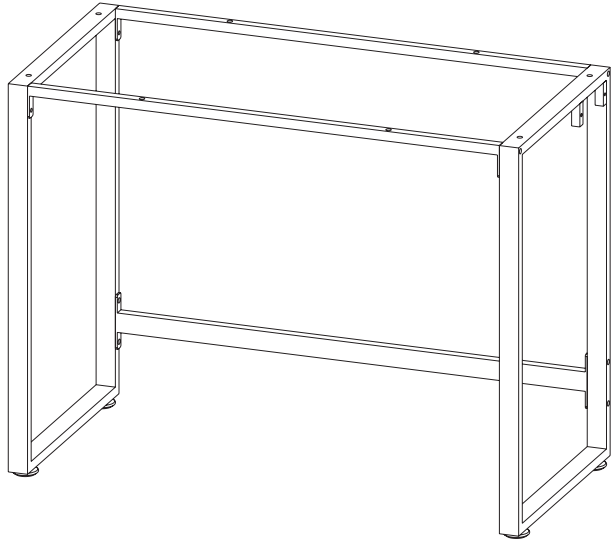


15

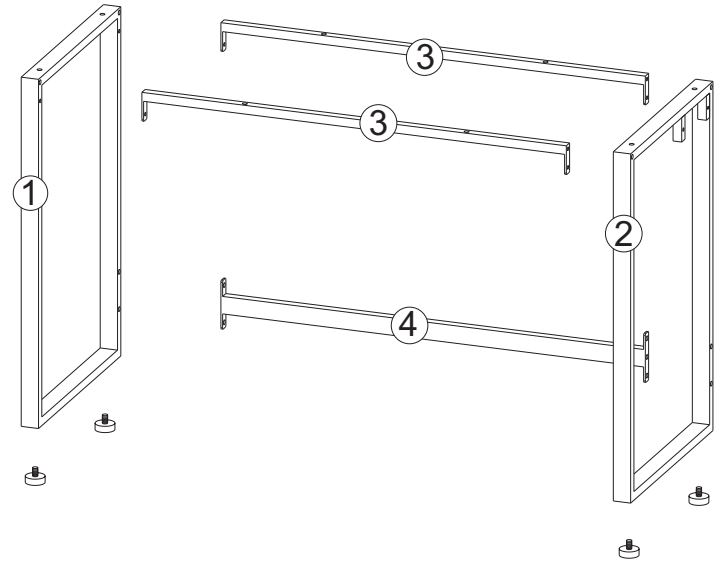
Dx11 



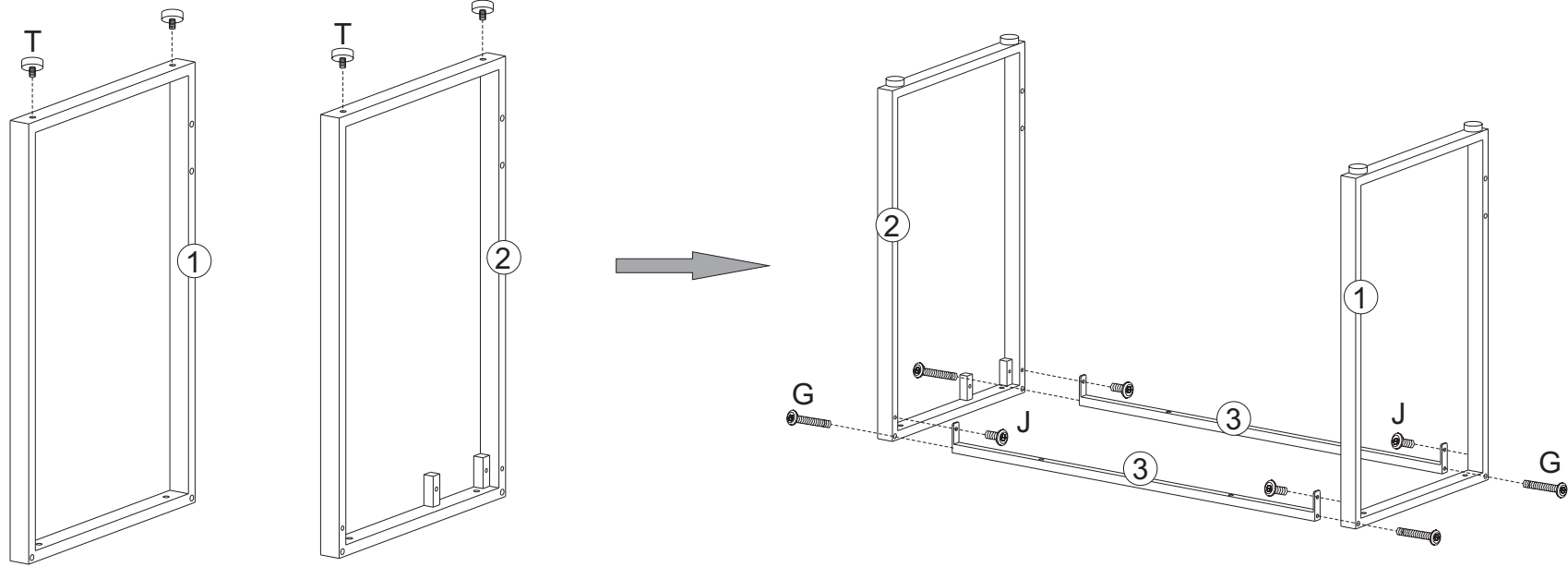
# Parts and Hardware for III

Gx4 Jx4 Qx4 Rx4 Tx4 

III



17

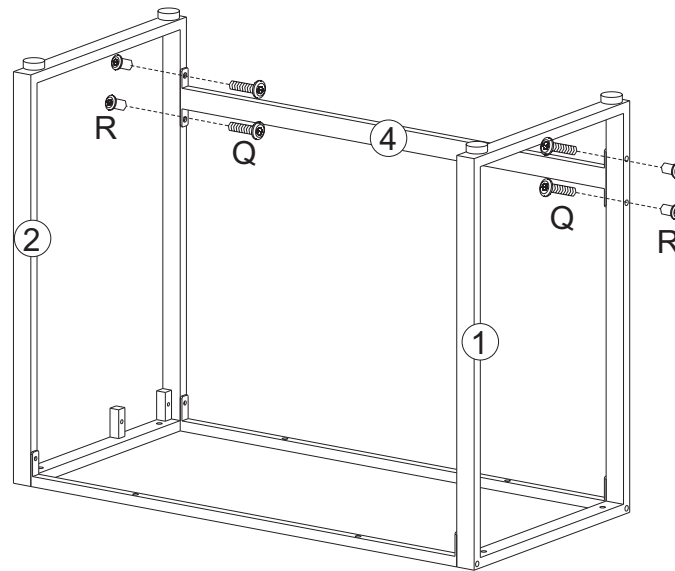


Gx4 


Jx4 

Tx4 

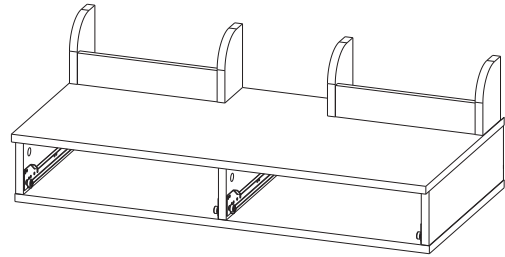
18



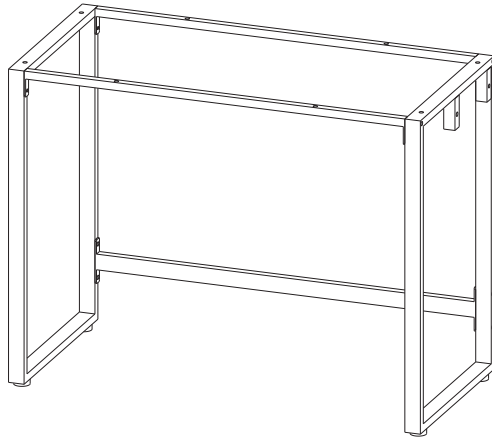
Qx4 

Rx4 

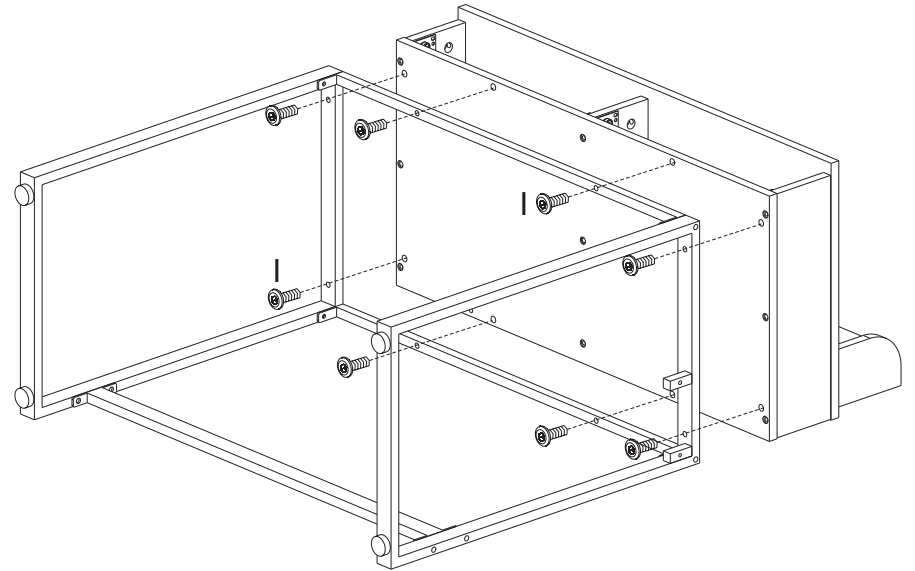
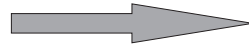
## Parts and Hardware for II III

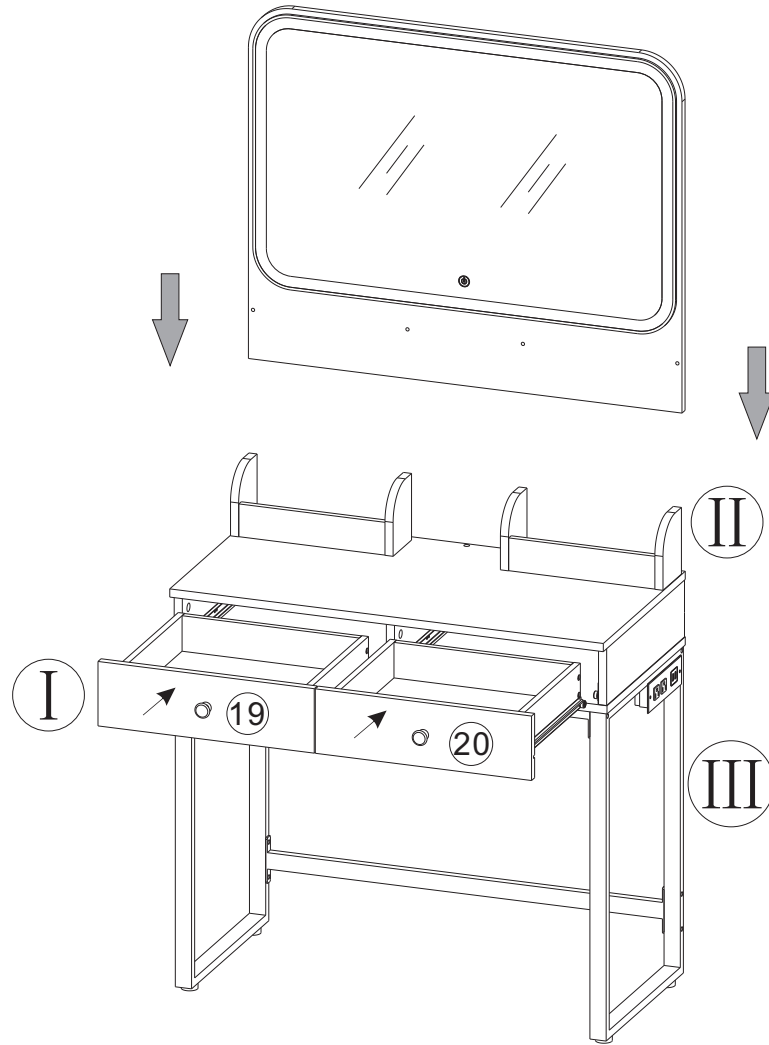


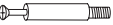
II



III





Ax3 

Bx3 

Dx4 

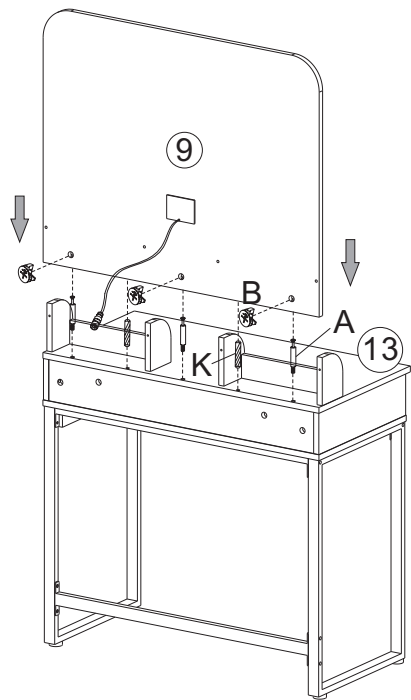
Kx2 

Ox2 

Px2 

Sx1 

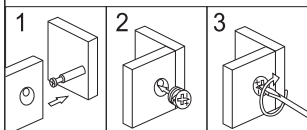
21



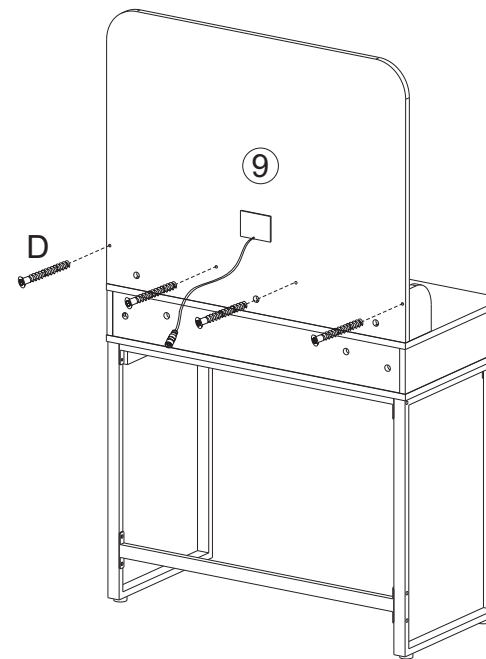
Ax3 

Bx3 

Kx2 

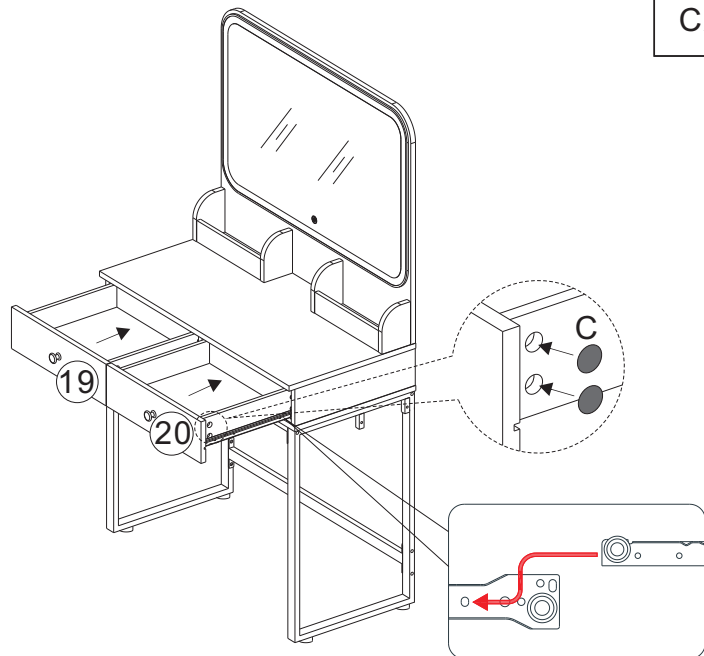


22



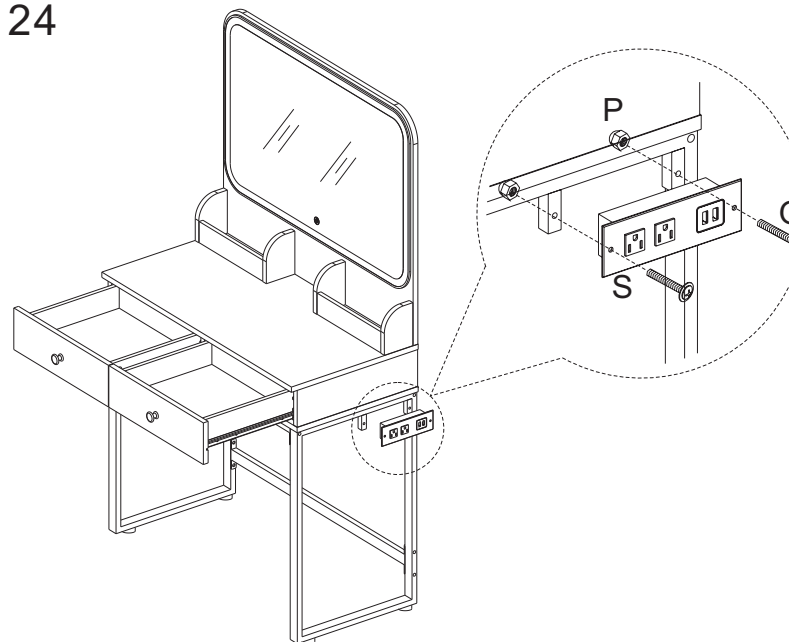
Dx4 

23



Cx21 

24



Ox2 

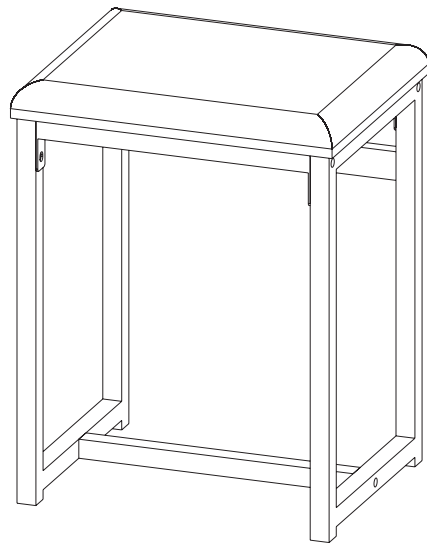
Px2 

Sx1 

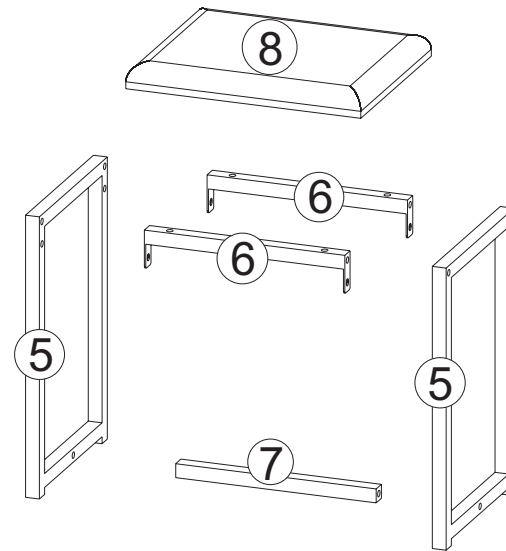
# Parts and Hardware for IV

Hx10 

Jx4 

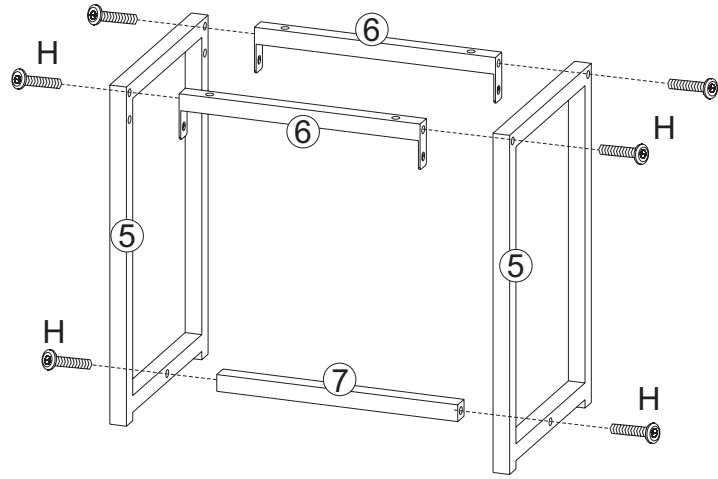


IV



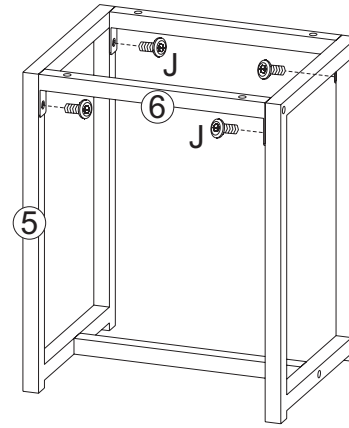
26

Hx6 



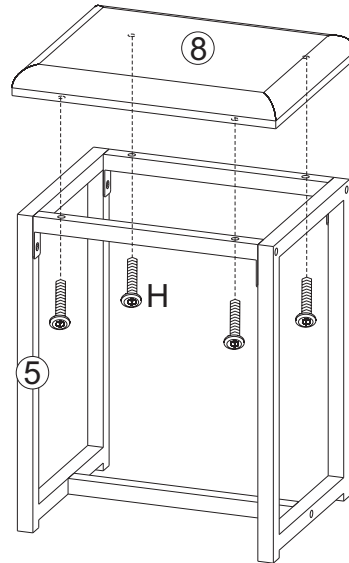
27

Jx4 



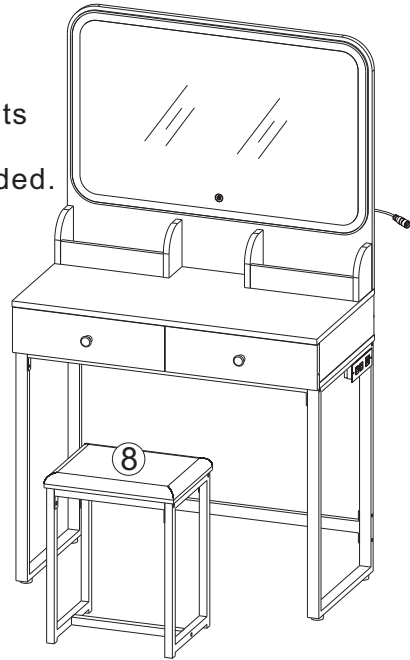
28

Hx4 



29

Note: Two L-shape brackets are provided for fixing the desk to the wall when needed.



Ux4 

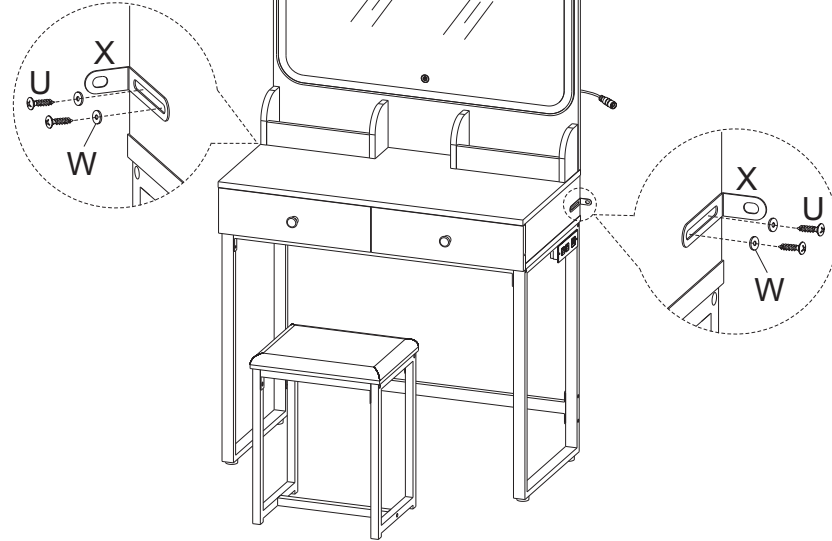
Vx2 

Wx6 

Xx2 

Yx1 

30

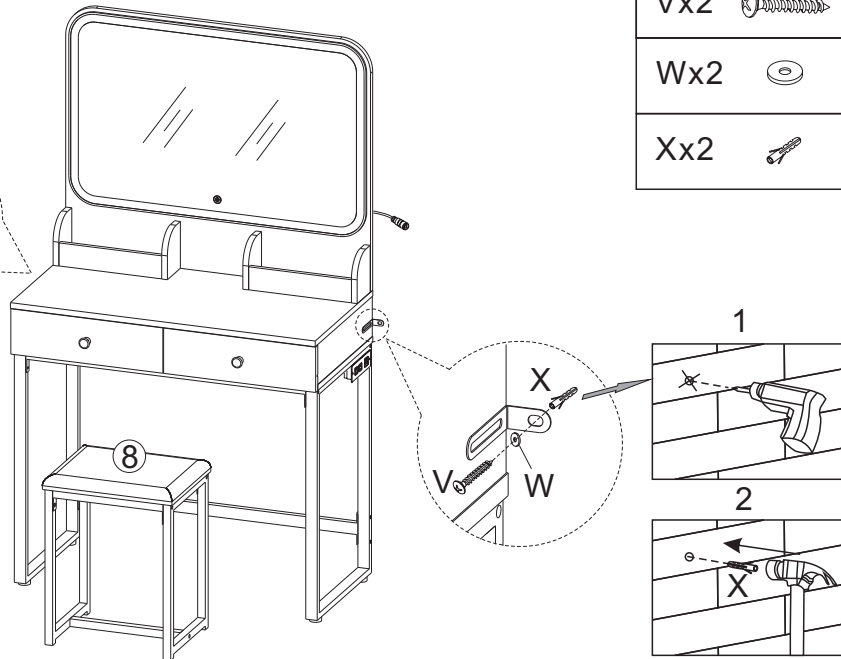
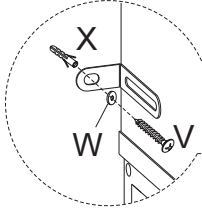


Ux4 

Wx4 

Xx2 

31

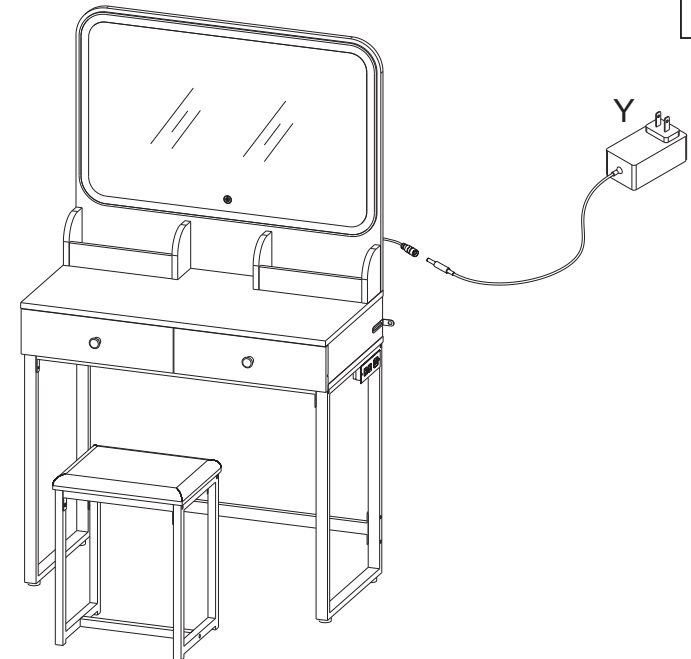


Vx2 

Wx2 

Xx2 

32



Yx1 