

# ASSEMBLY INSTRUCTION

## Dresser

### BEFORE YOU START, HERE IS SOME HELPFUL ADVICE

We suggest you spend a short time reading through this leaflet and follow the simple step-by-step assembly instruction.

Do not discard any of the packaging until you have checked that you have all the parts and the pack of fittings.

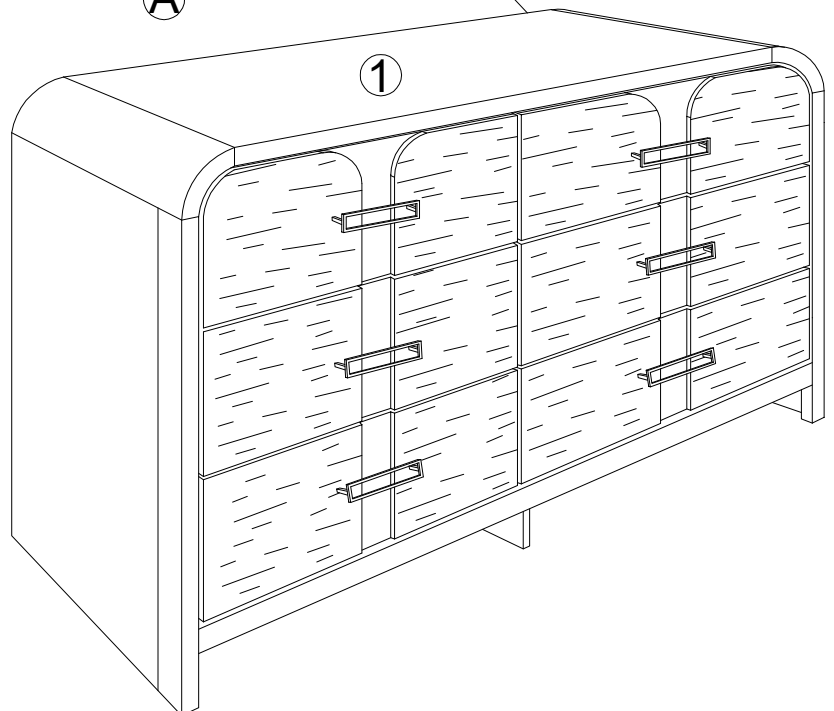
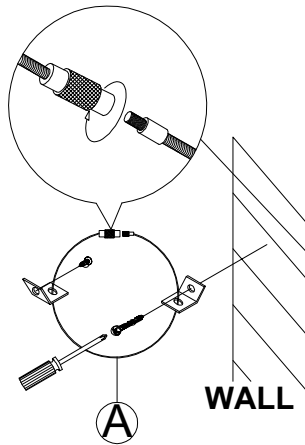
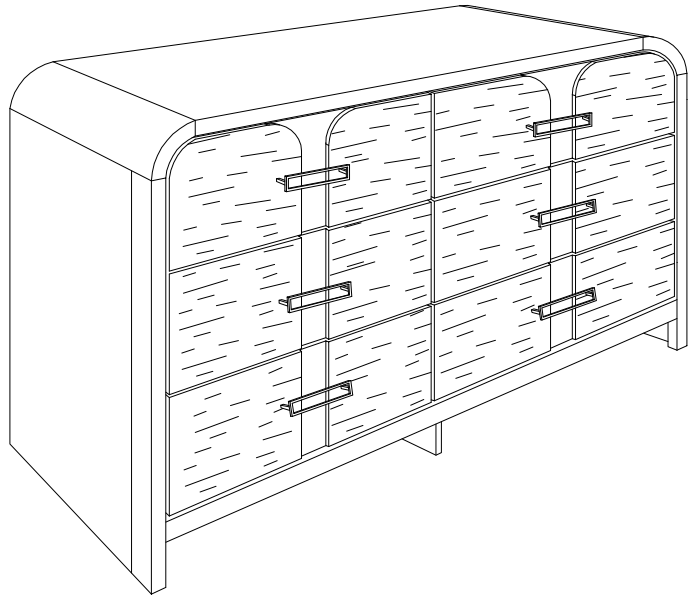
Assemble this product on a flat surface.

Assemble all parts loosely before tightening any bolts.

Discard all extra fittings and keep fittings out of reach of children.


To clean, wipe clean with a damp cloth.

Retain Assembly Instruction for future reference.



### PARTS AND FITTINGS LIST

PARTS LIST		
CODE	DESCRIPTION	QTE.
1	DRESSER	1

FITTINGS LIST		
CODE	DESCRIPTION	QTE.
A	 ANTI-TIPPING KIT	1