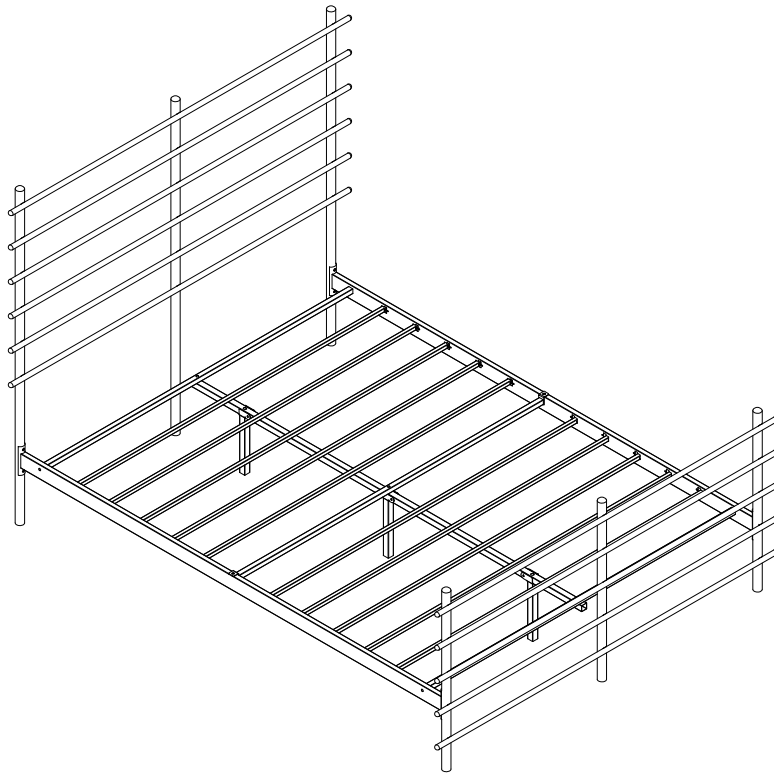


ASSEMBLY INSTRUCTION

MODEL NUMBER: 303N



NOTES:

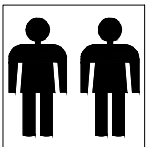
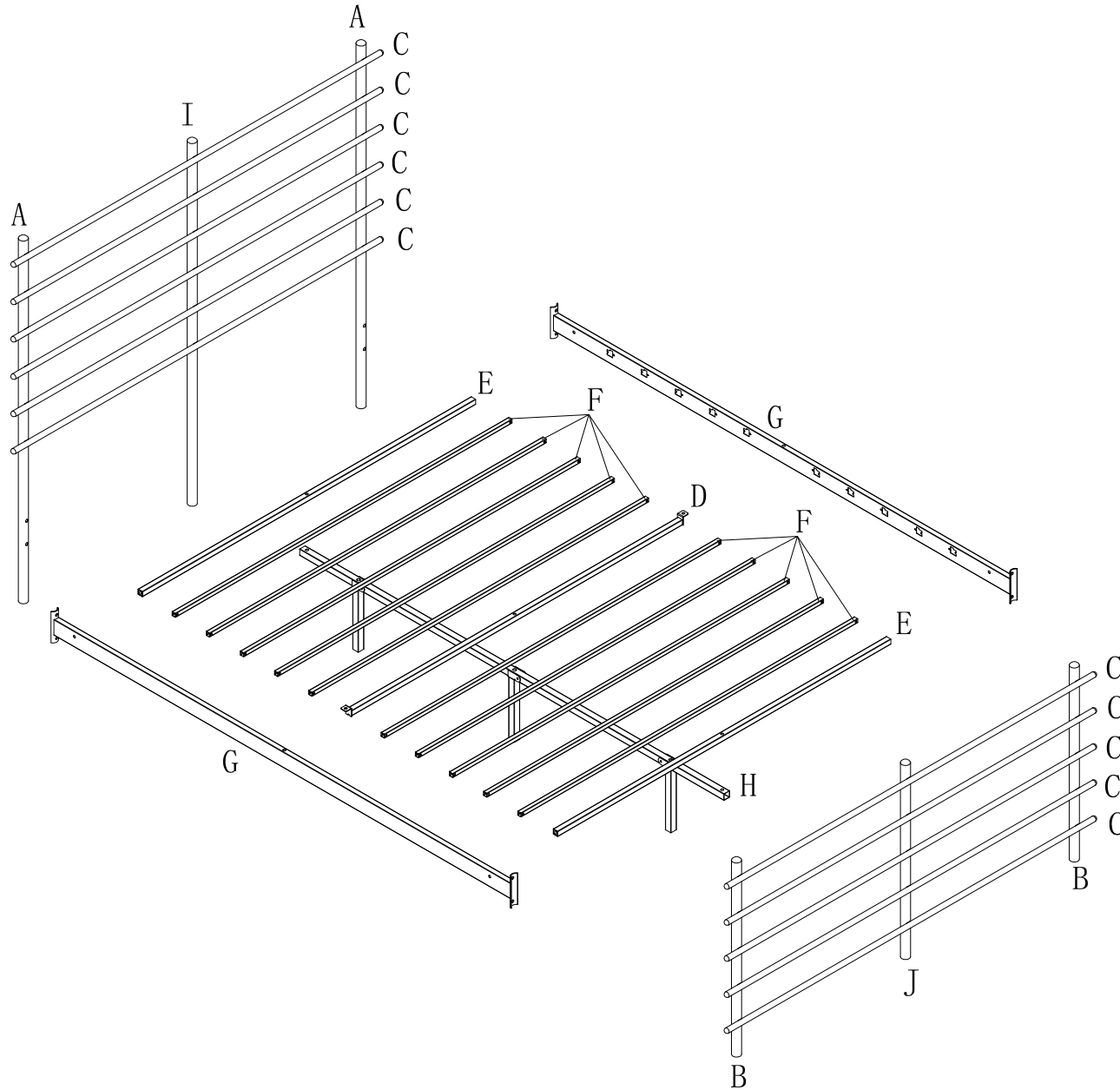
- The item is only intended to be used indoors. The product must be assembled and used in accordance with the provisions of the manual.
- It is recommended that assembly is undertaken by about 2 adults. Please read assembly instructions before assembly and strictly adhere to each step outlined. Estimated assembly time is 30 minutes.

WARNING:

- **WARNING FOR YOUNG CHILDREN** - This product contains small components, please ensure that they are kept away from small children while assembling.

1



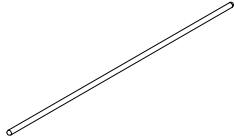
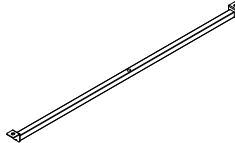
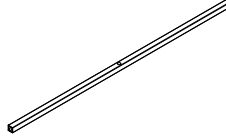
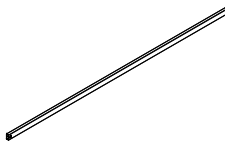
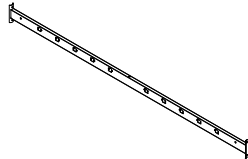
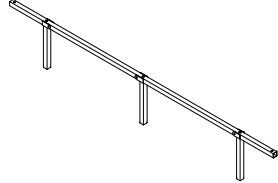


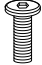
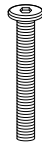
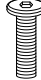
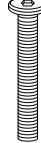



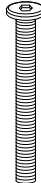
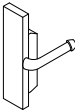
PARTS LIST



Minimum two person assembly

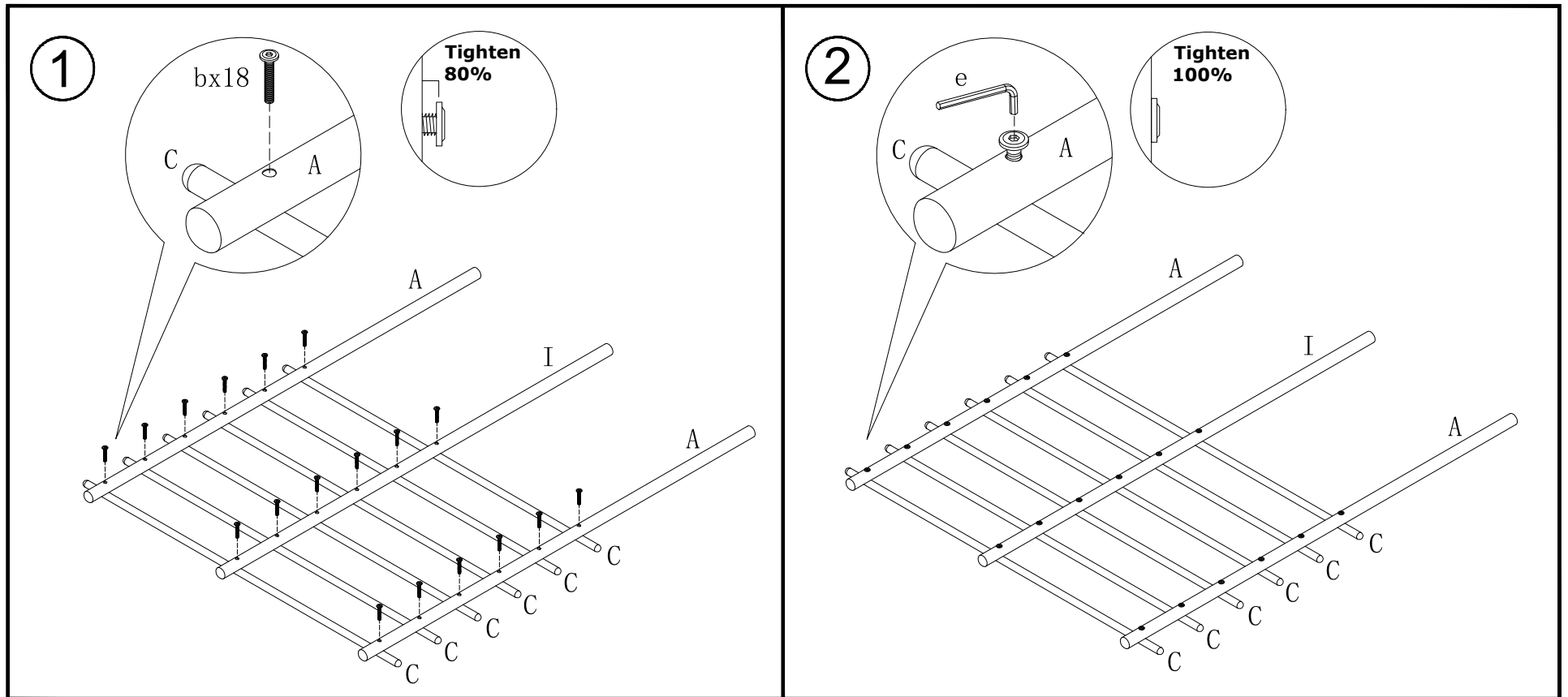
2

PARTS LIST

A	B	C	D	E	F	G	H			
										
2pcs	2pcs	11pcs	1pc	2pcs	10pcs	2pcs	1pc			
I	J	a	b	c	d	e	f	g	h	Spare parts
										
1pc	1pc	M6*15 8pcs	M6*40 33pcs	M8*20 2pcs	M8*45 8pcs	M4 1pc	M6 8pcs	M5 1pc	M8*60 1pc	4pcs

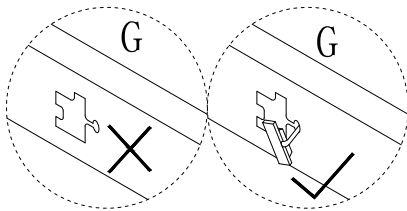
3

NOTE: PLEASE DO NOT TIGHTEN THE BOLTS UNTIL ALL FIXED

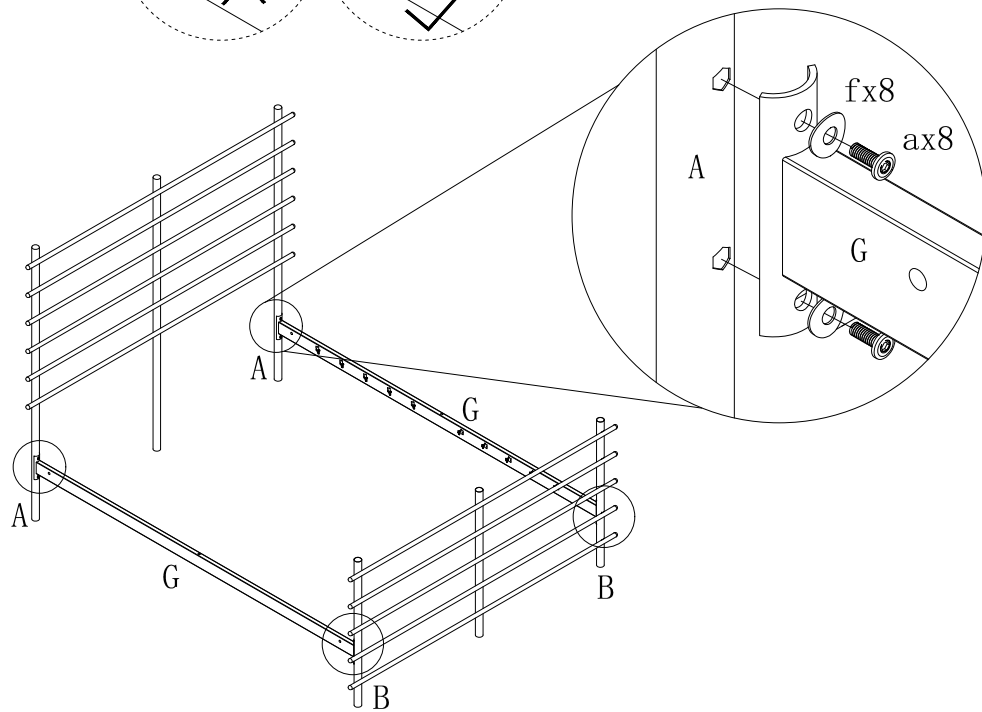


5

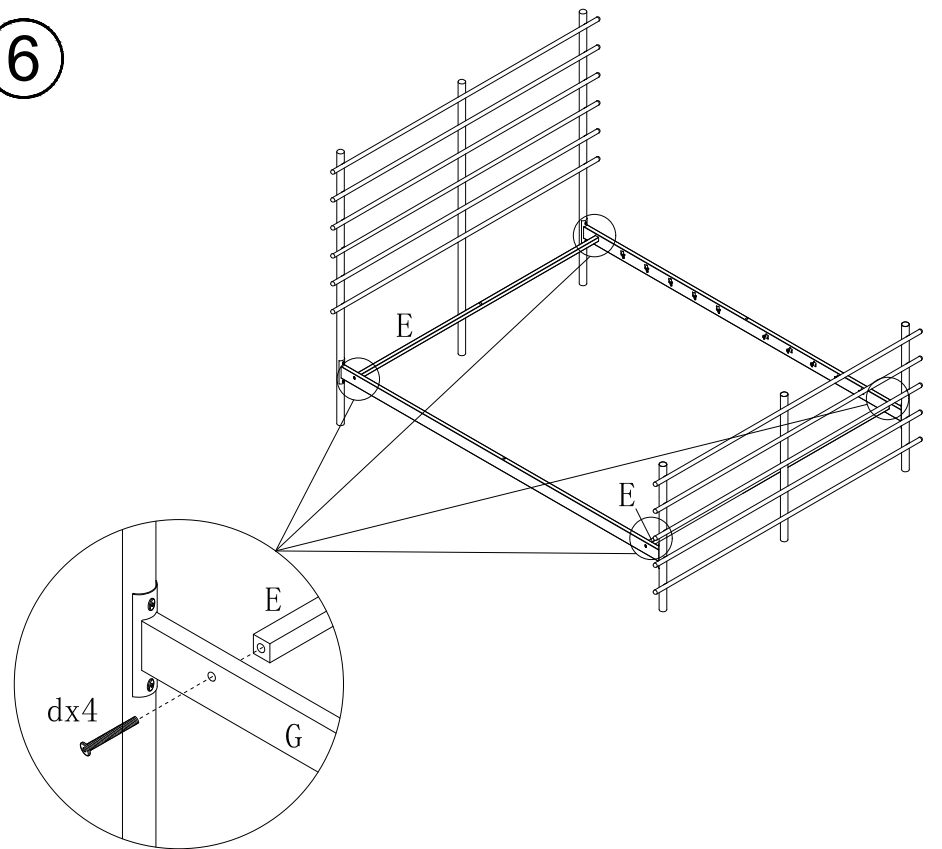
5



Before assembling the mattress tube, please check whether the plastic clip is fastened on the bed beam, as shown in the picture, please fasten it by hand.

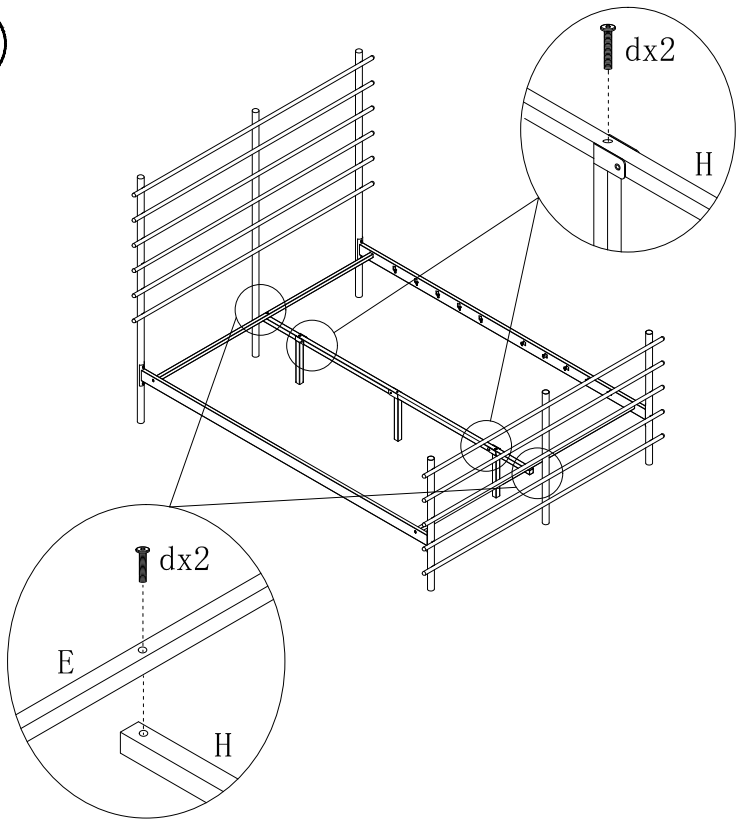


6

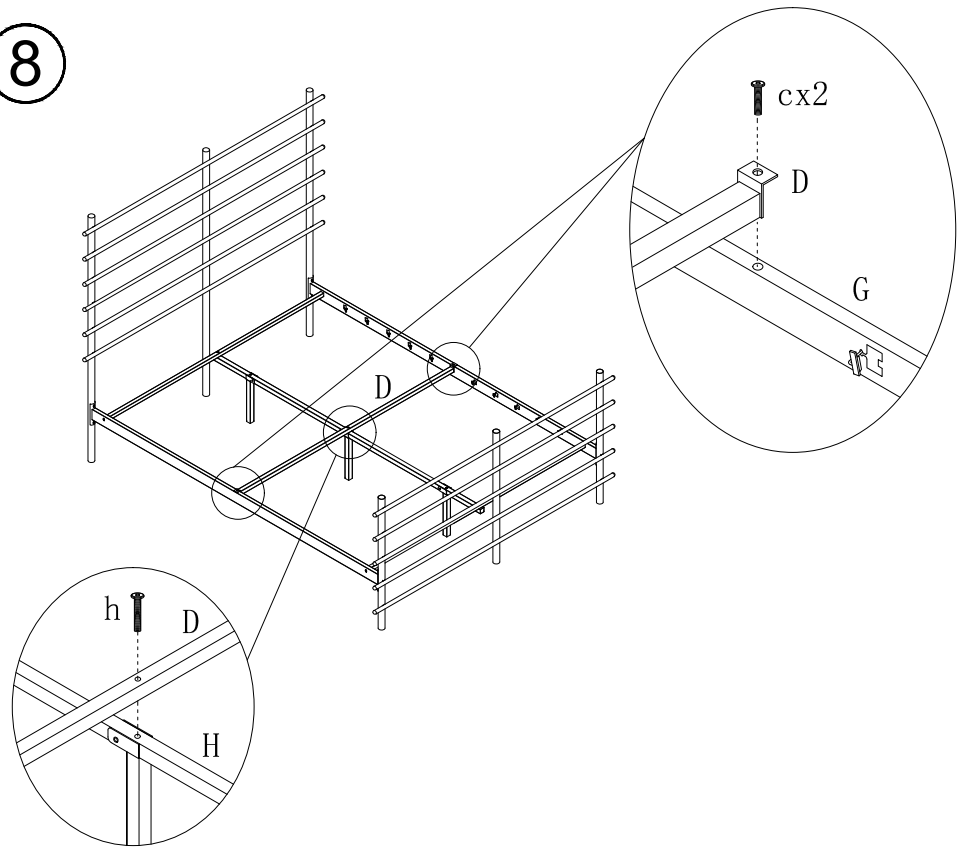


6

7



8



9

