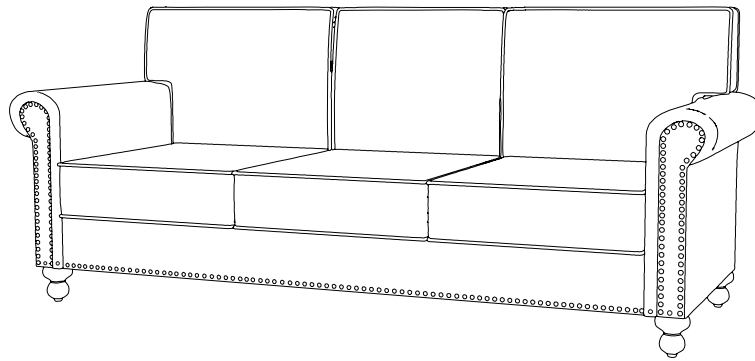
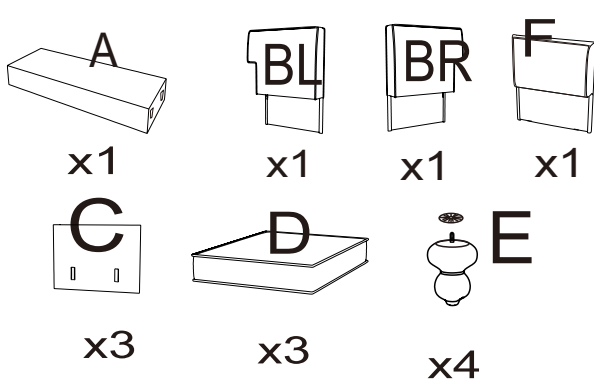


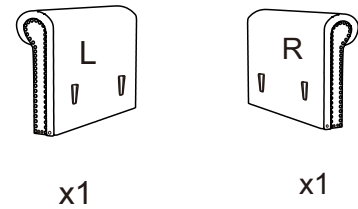
# ASSEMBLY INSTRUCTION



## PARTS LIST

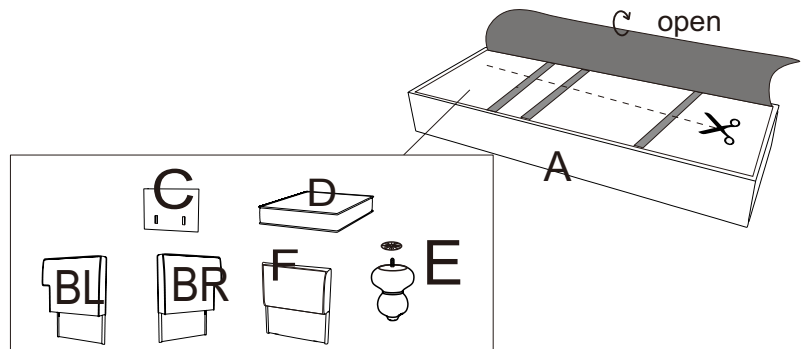


BOX-1



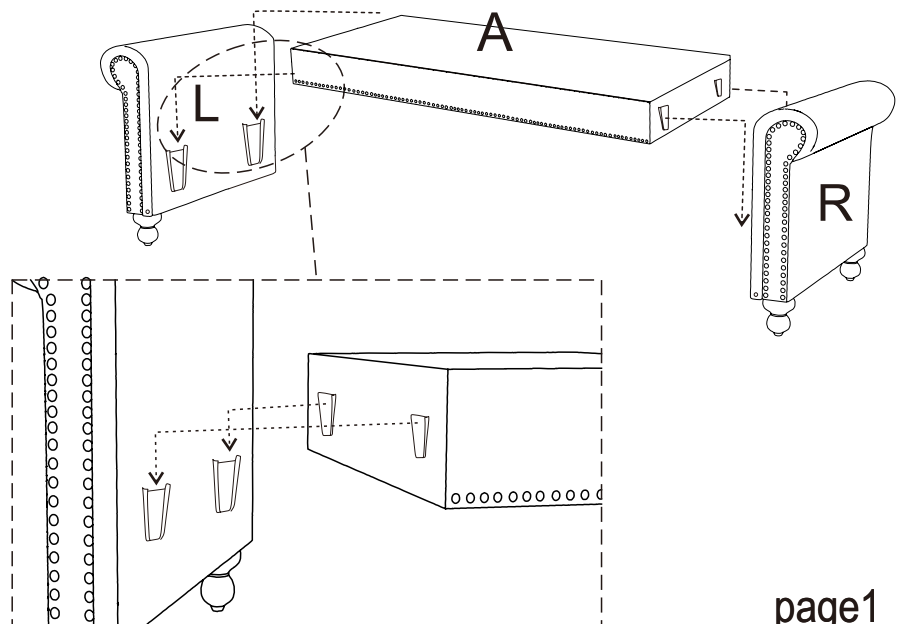
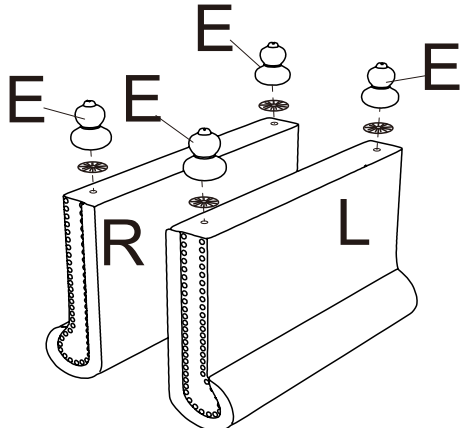
BOX-2

Open up Velcro of Non-Woven Fabric cover on the bottom of the to remove HARDWARE and legs.  
 Please open the black woven fabric with Velcro closure on the bottom of the frame then cut off the black straps before removing the parts for assembly.  
 Please allow at least 24 hours for the cushions to recover to its natural state after removing from the package.

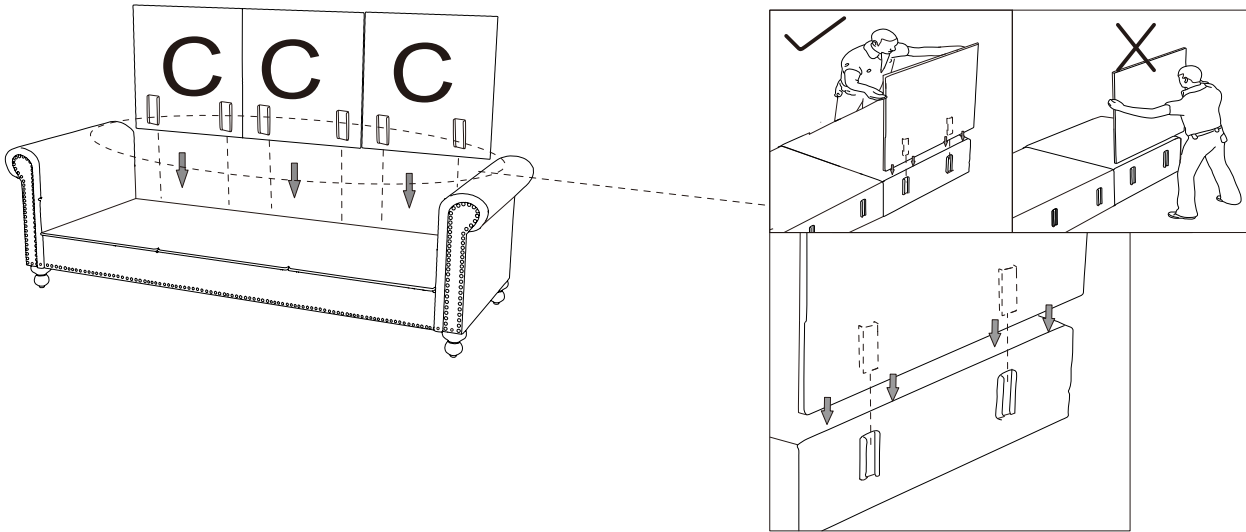


## ASSEMBLY INSTRUCTION

Step 1



Step2



Step3

