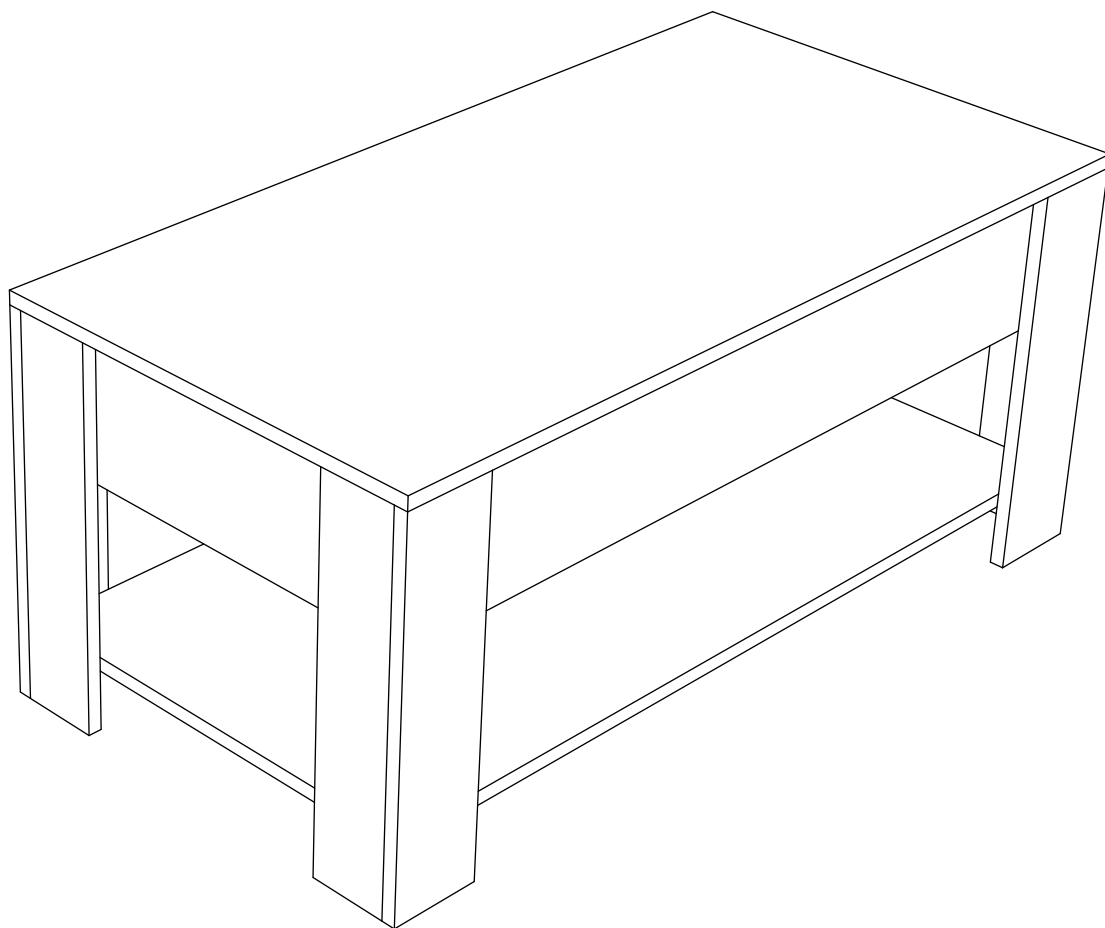
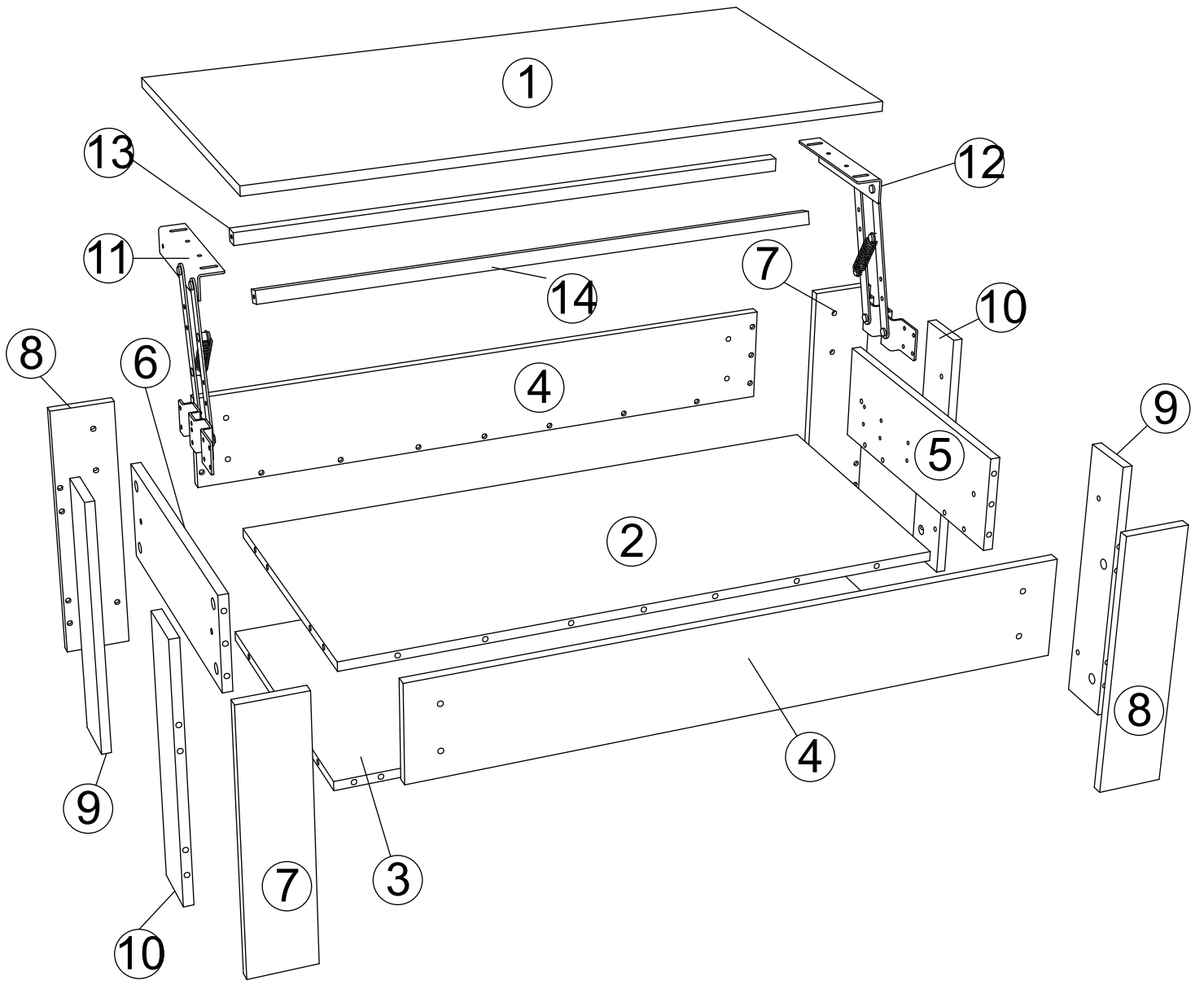
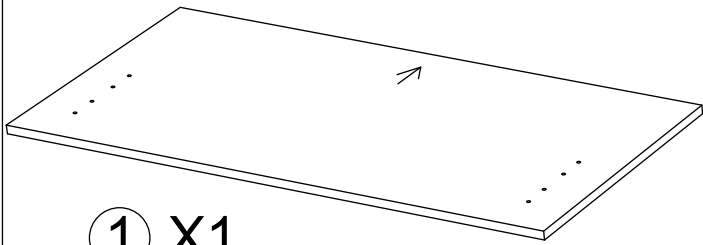


ASSEMBLY INSTRUCTION

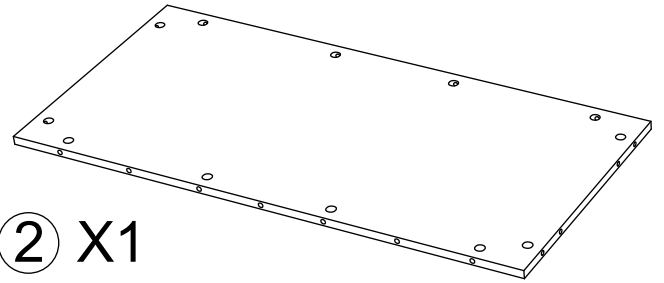
CT0338



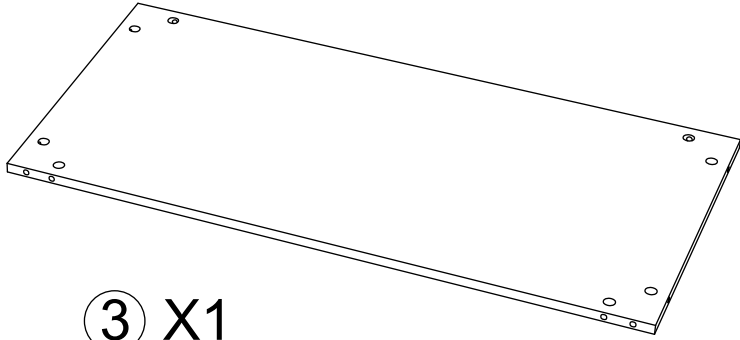




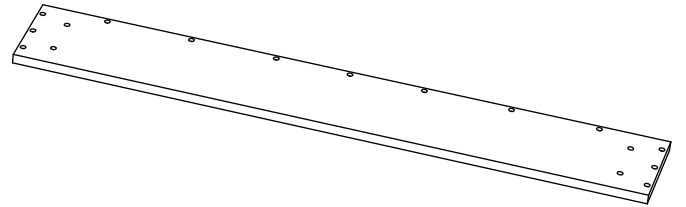
① X1



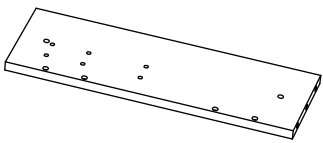
② X1



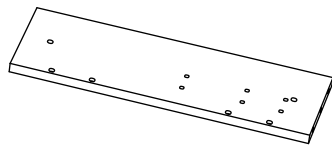
③ X1



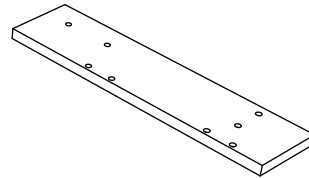
④ X2



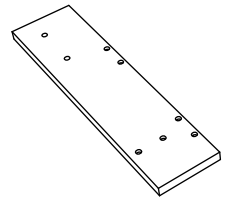
⑤ X1



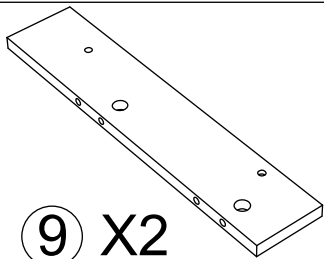
⑥ X1



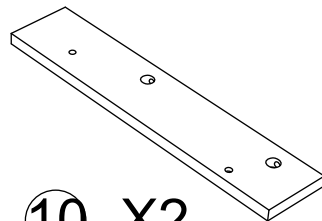
⑦ X2



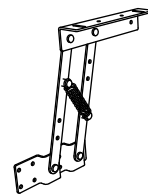
⑧ X2



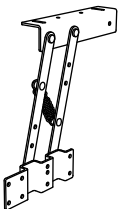
⑨ X2



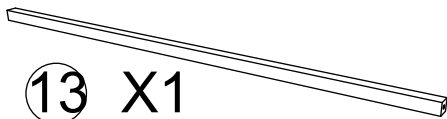
⑩ X2



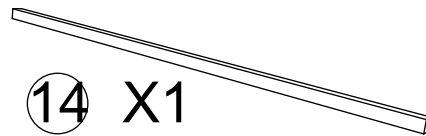
⑪ X1



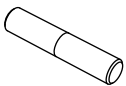
⑫ X1



⑬ X1



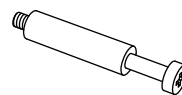
⑭ X1



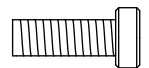
① X22



② X36



③ X36



M6X25

④ X16



⑤ X24



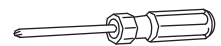
⑥ X4



⑦ X8

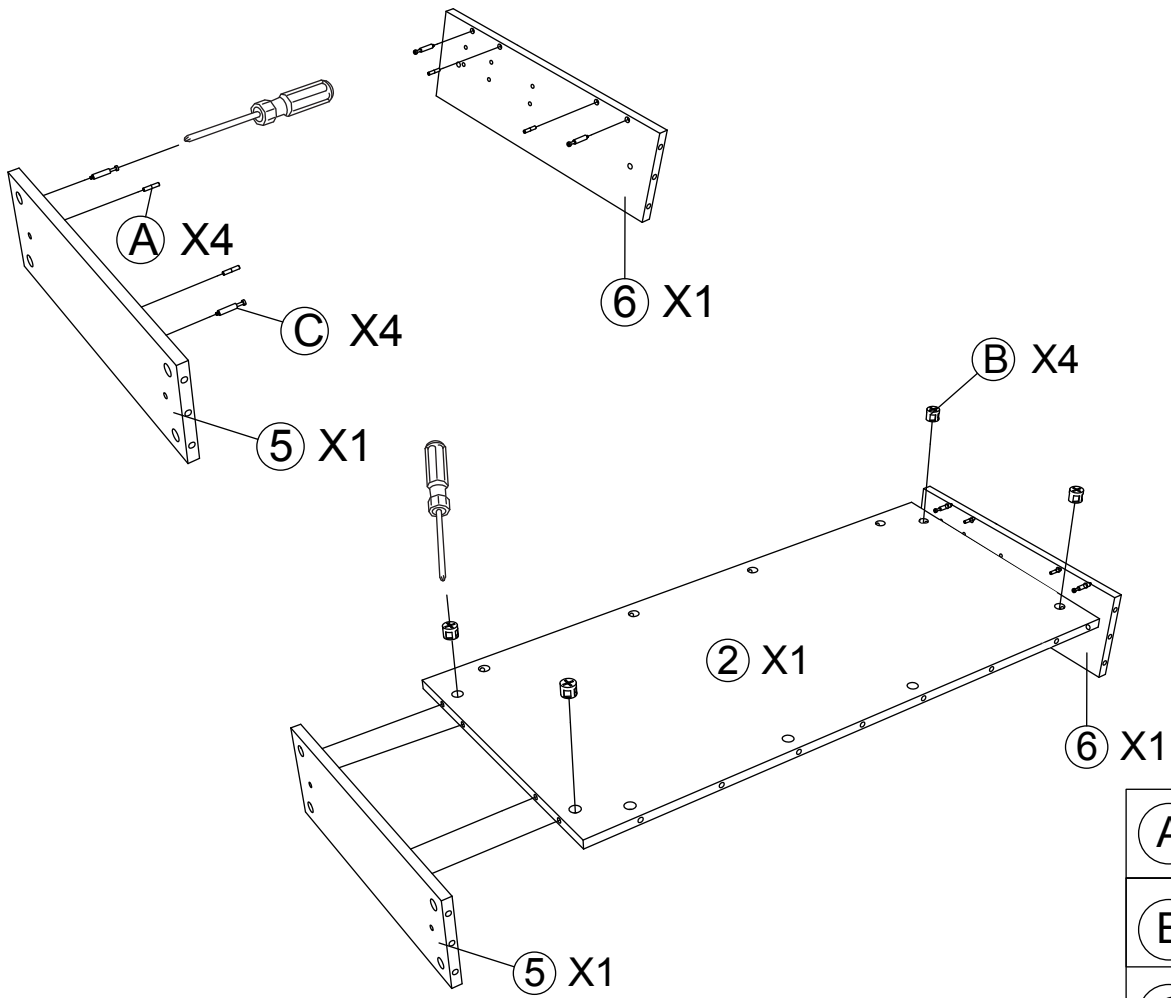


⑧ X1



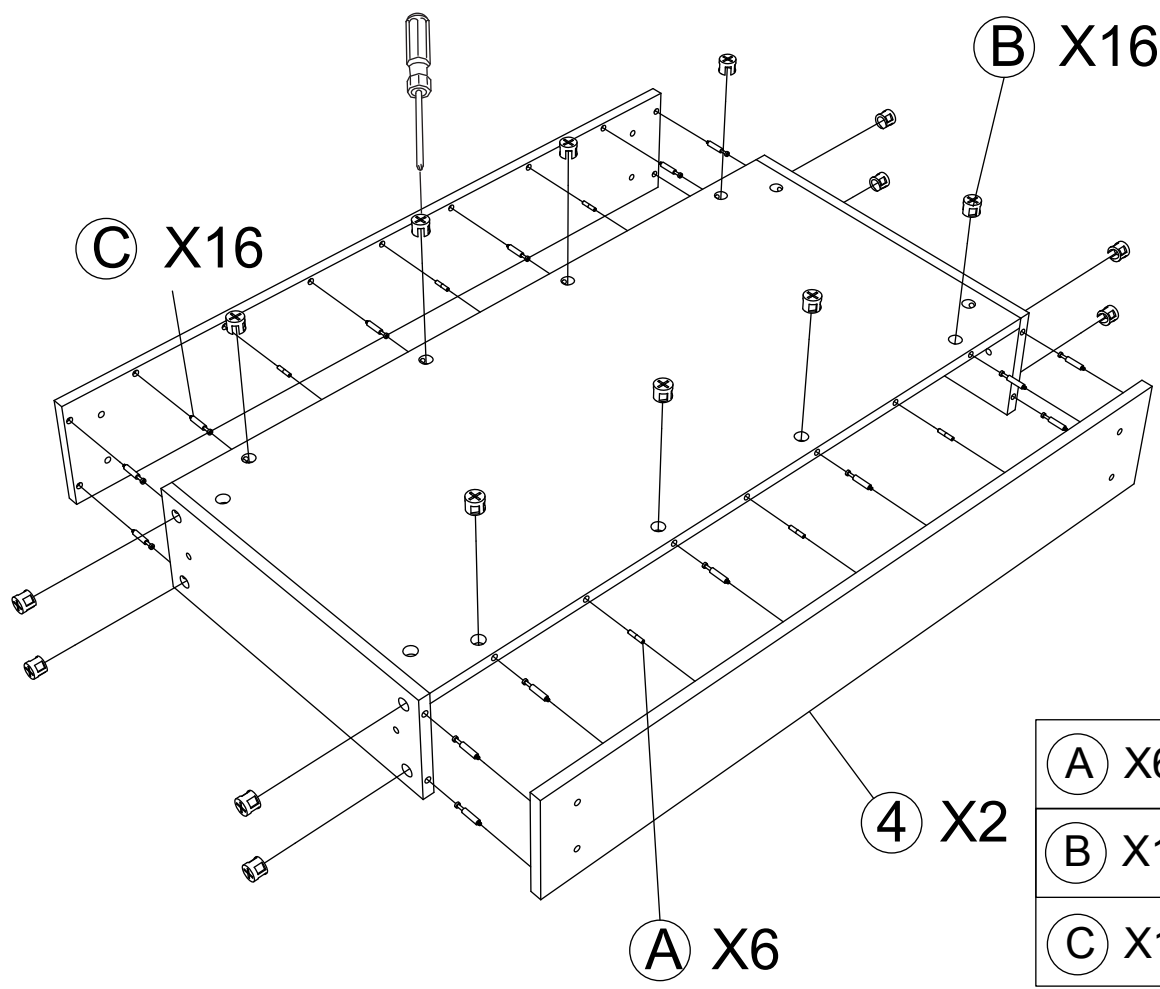
Philips head screwdriver required for assembly
(not included)

1



- (A) X4PCS
- (B) X4PCS
- (C) X4PCS

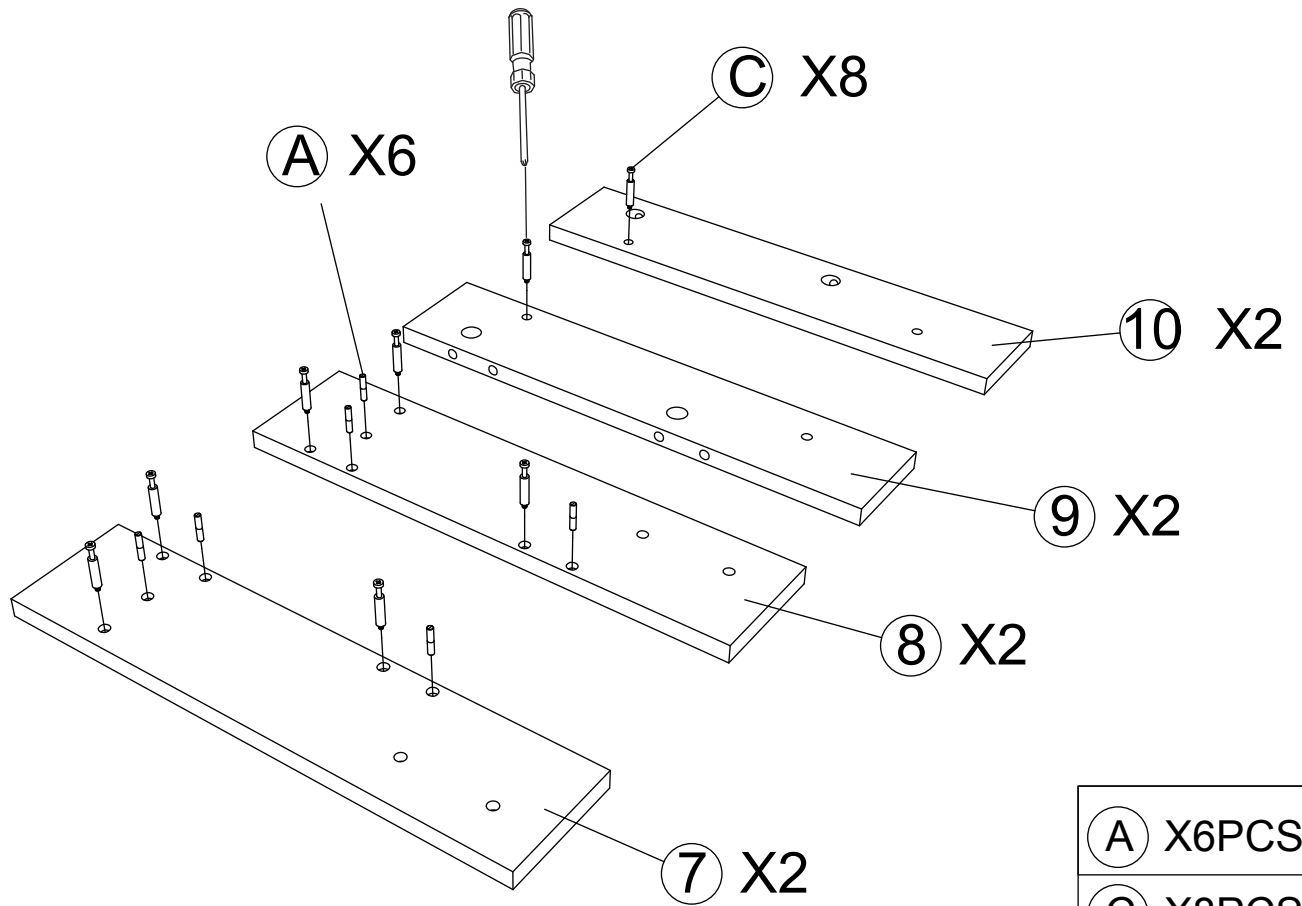
2



- (A) X6PCS
- (B) X16PCS
- (C) X16PCS

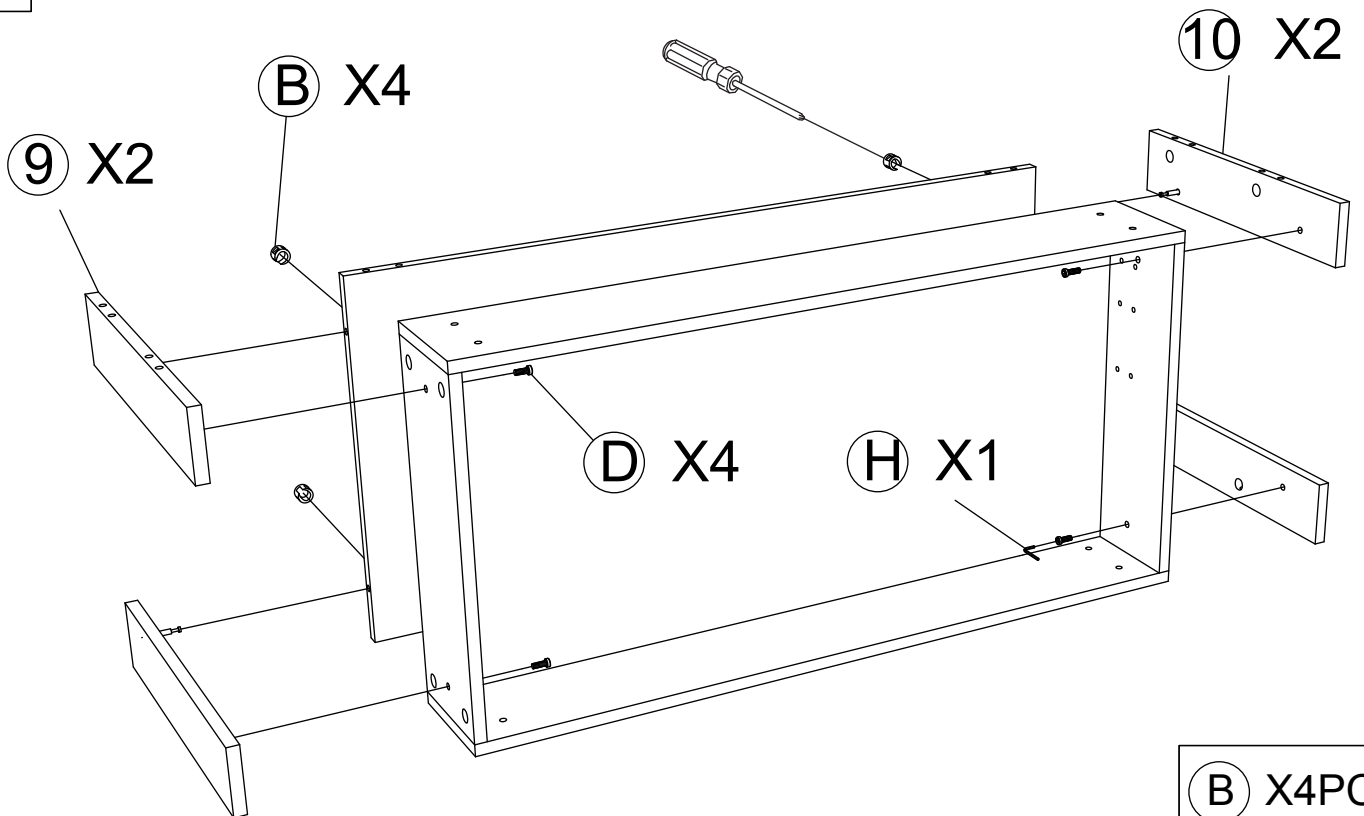
3

X2



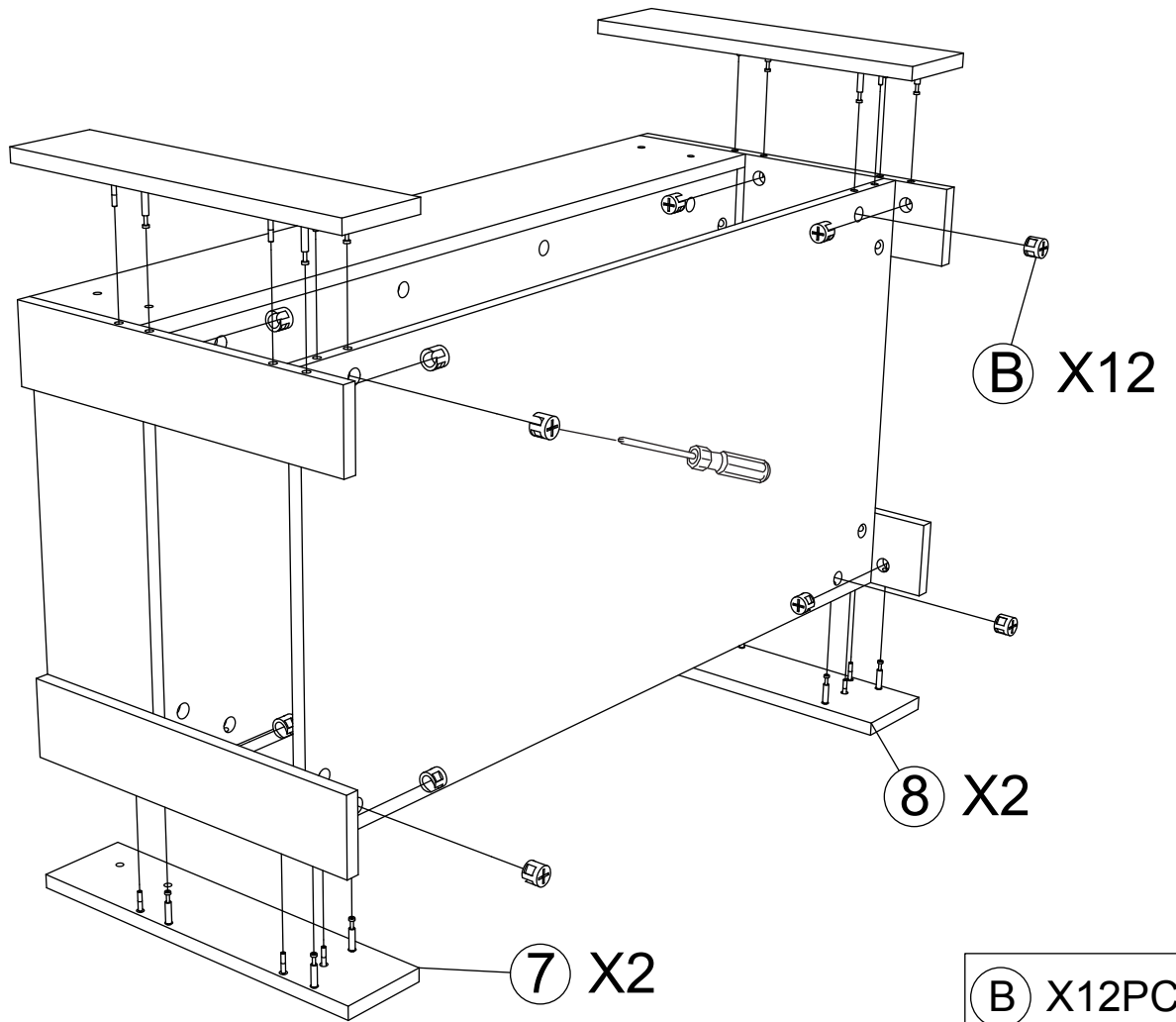
- (A) X6PCS
- (C) X8PCS

4

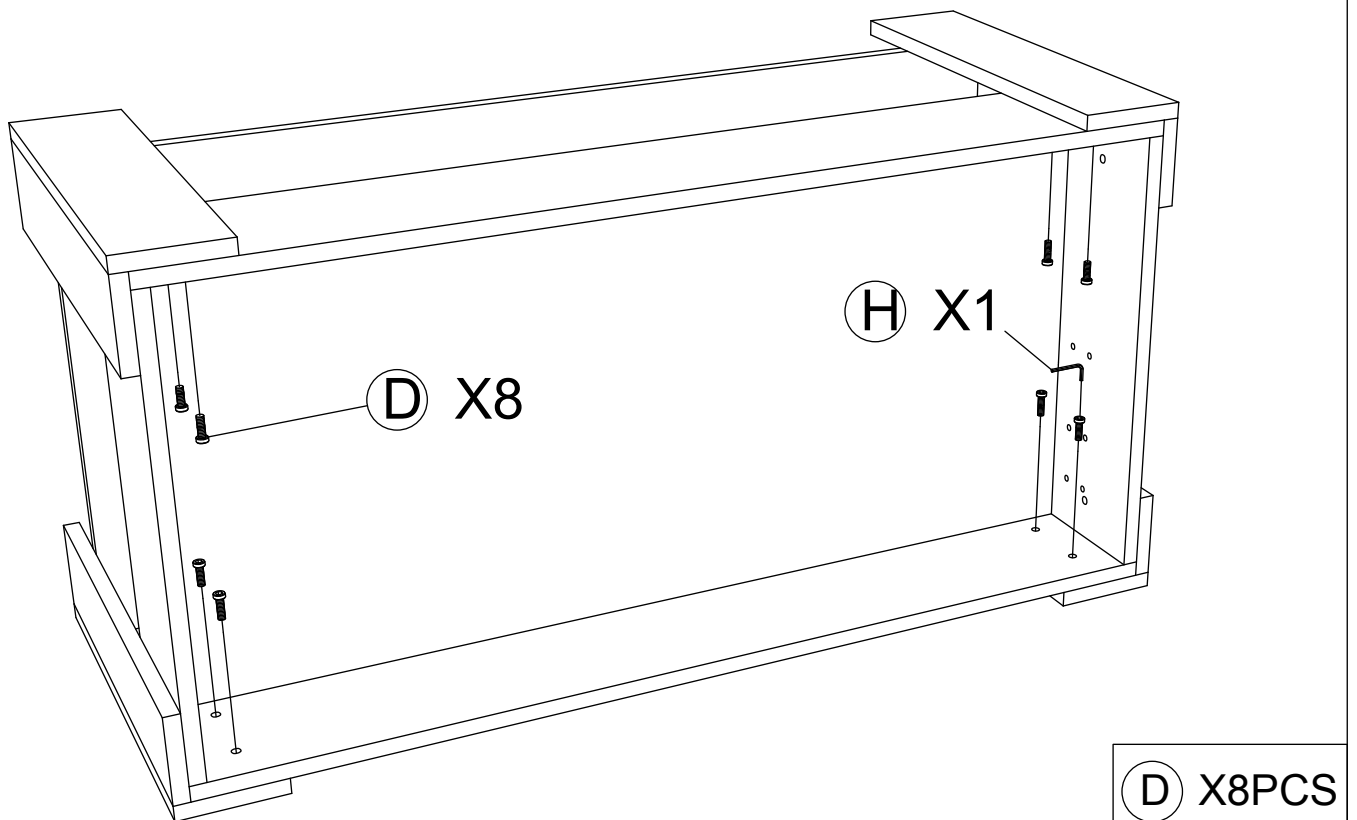


- (B) X4PCS
- (D) X4PCS

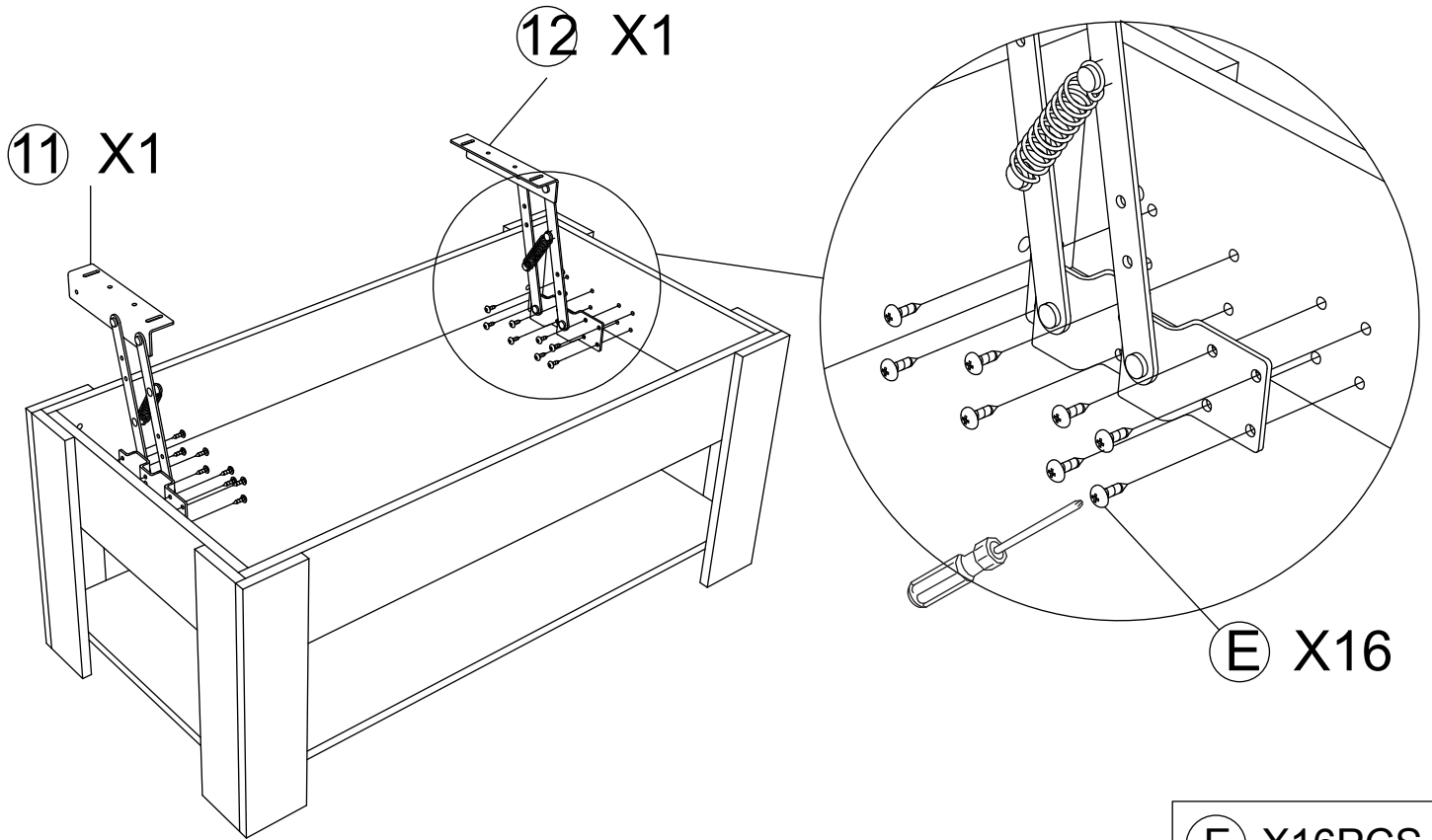
5



6

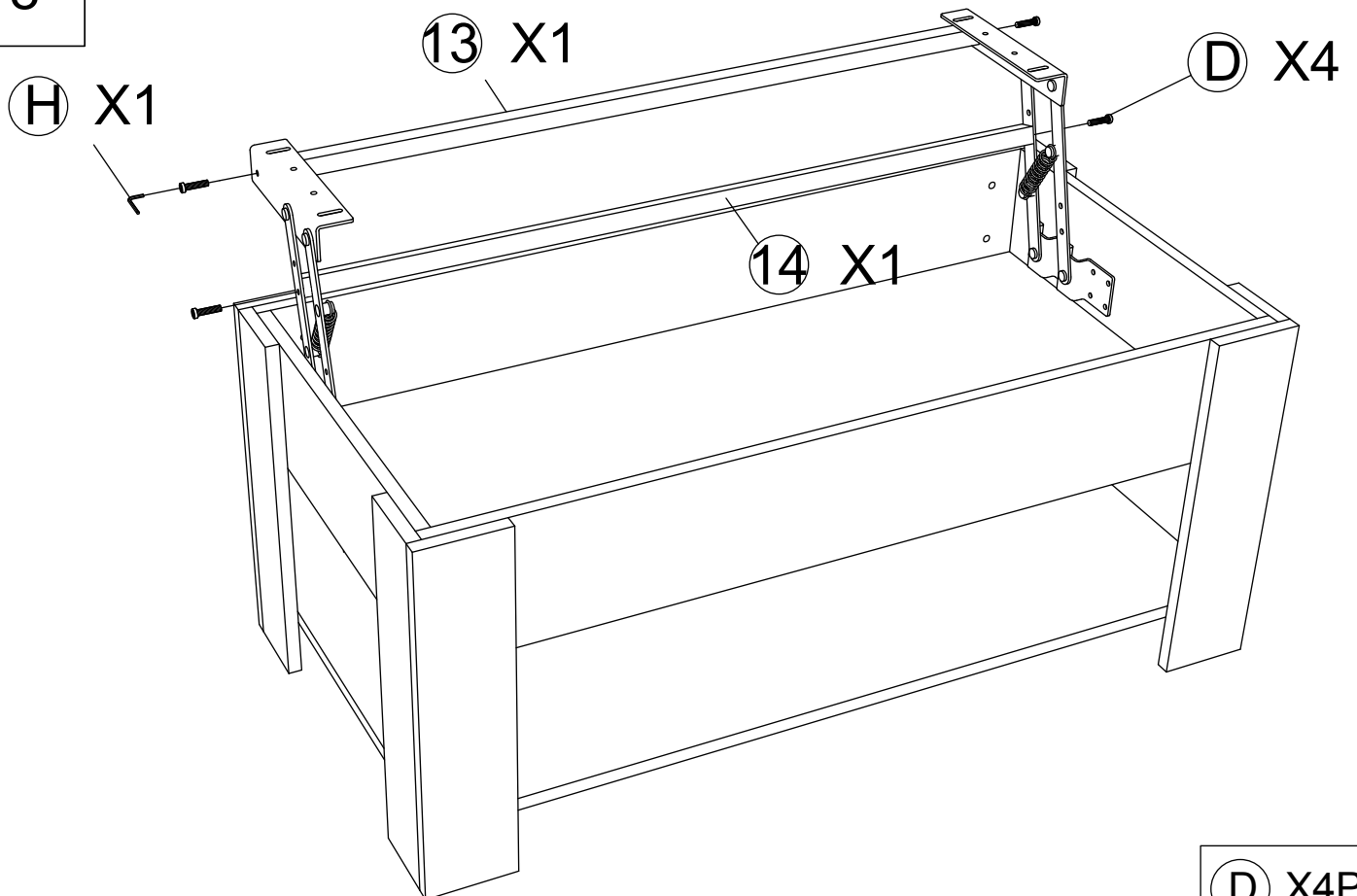


7



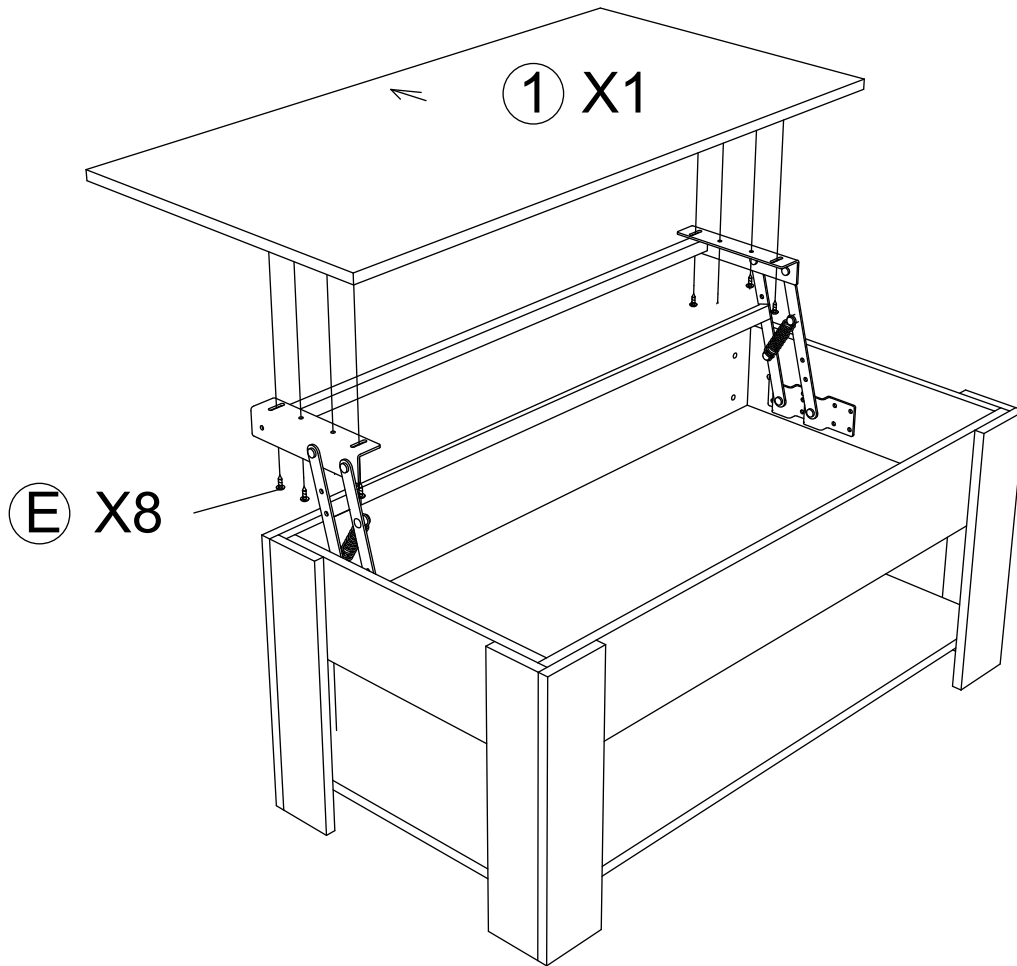
E X16PCS

8



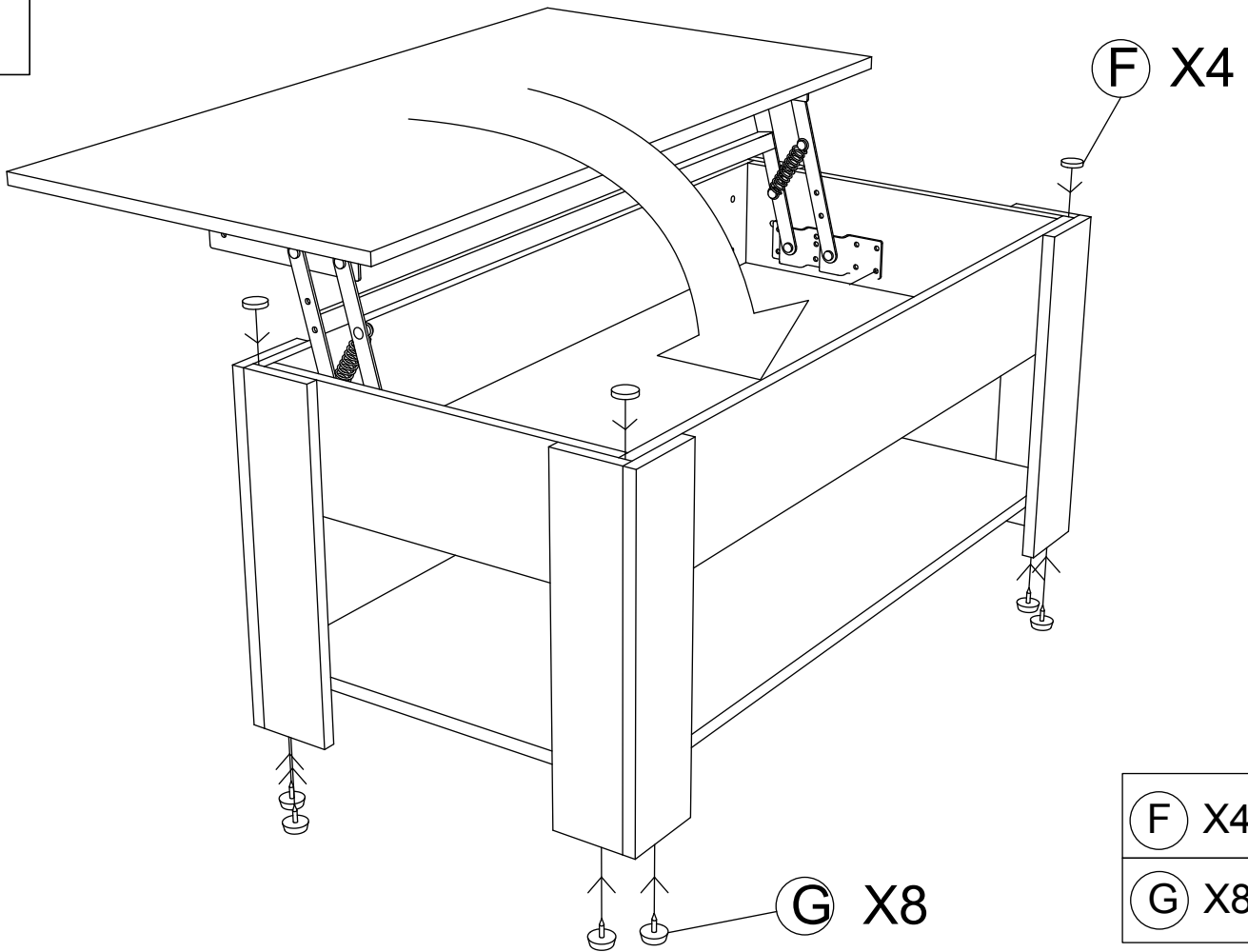
D X4PCS

9



E X8PCS

10



F X4PCS

G X8PCS

