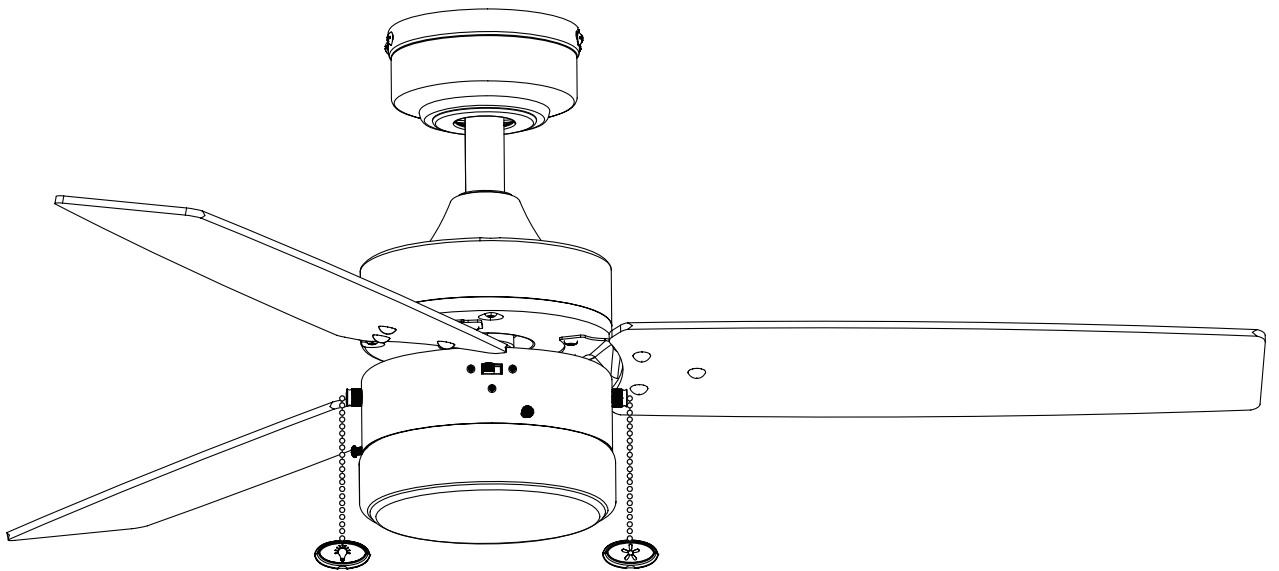
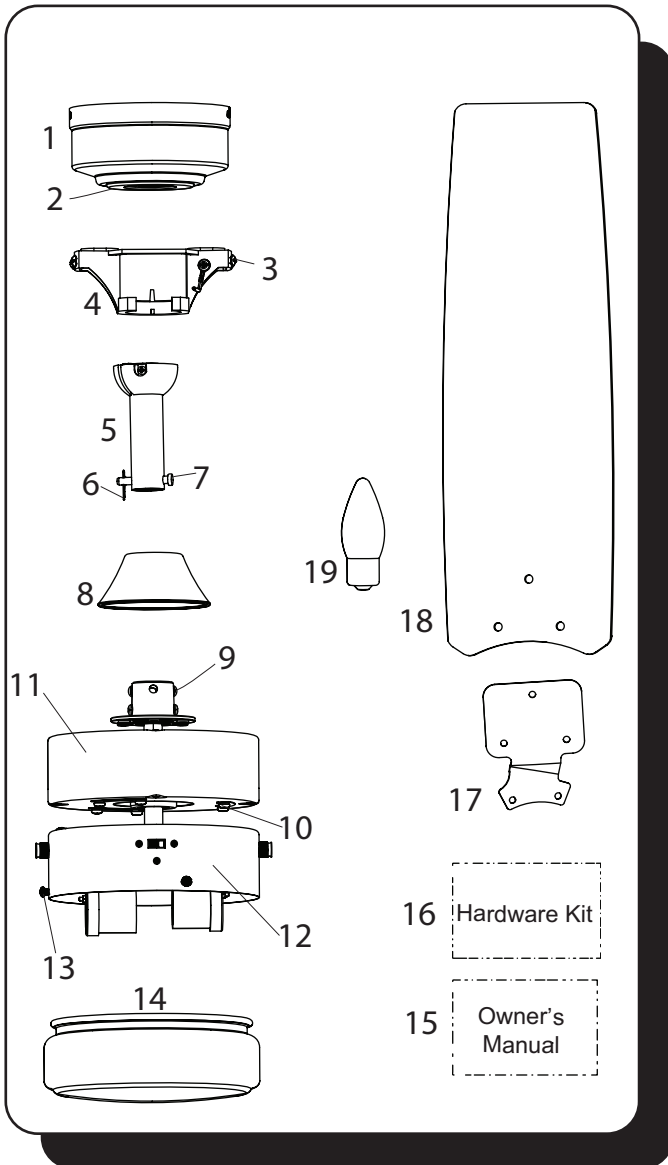


# 42" CEILING FAN

## Owner's Manual



## PACKAGE CONTENTS



Unpack your fan and check the contents. You should have the following items:

### PACKAGE CONTENTS

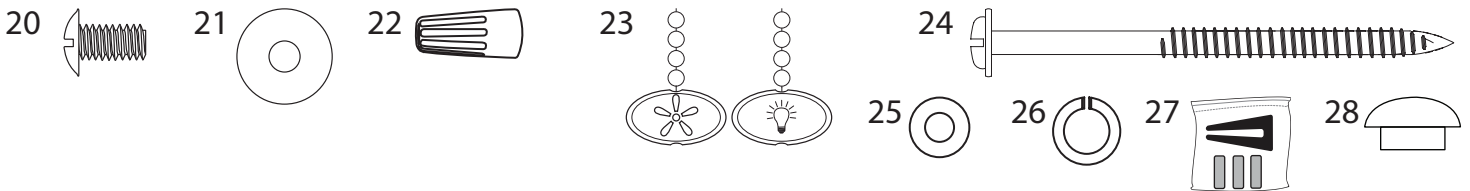
- |                                |                             |
|--------------------------------|-----------------------------|
| 1. Canopy                      | 10. Motor Screw (x6)        |
| 2. Canopy Cover                | 11. Motor Assembly          |
| 3. Mounting Bracket Screw (x4) | 12. Light Kit               |
| 4. Mounting Bracket            | 13. Thumbscrew (x3)         |
| 5. Downrod                     | 14. Glass Bowl              |
| 6. Downrod Clip                | 15. Owner's Manual          |
| 7. Downrod Pin                 | 16. Hardware Kit            |
| 8. Yoke Cover                  | 17. Blade Arm (x3)          |
| 9. Set Screw (x2)              | 18. Blade (x3)              |
|                                | 19. E-26 LED base Bulb (x2) |

### HARDWARE CONTENTS

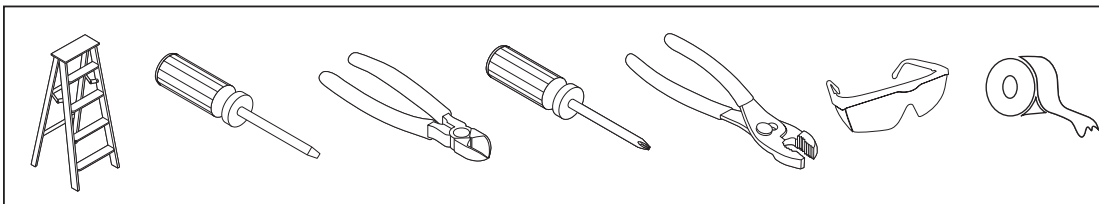
- |                               |                             |
|-------------------------------|-----------------------------|
| 20. Blade Screw (x9)          | 25. Support Washer          |
| 21. Blade Washer (x9)         | 26. Secondary Spring Washer |
| 22. Wire Connector (x3)       | 27. Blade Balancing Kit     |
| 23. Pull Chain Extension (x2) | 28. Screw Cap (x9)          |
| 24. Secondary Support Screw   |                             |

**Note:** Some extra hardware has been included. The quantity listed above is the number required for installation.

## HARDWARE CONTENTS



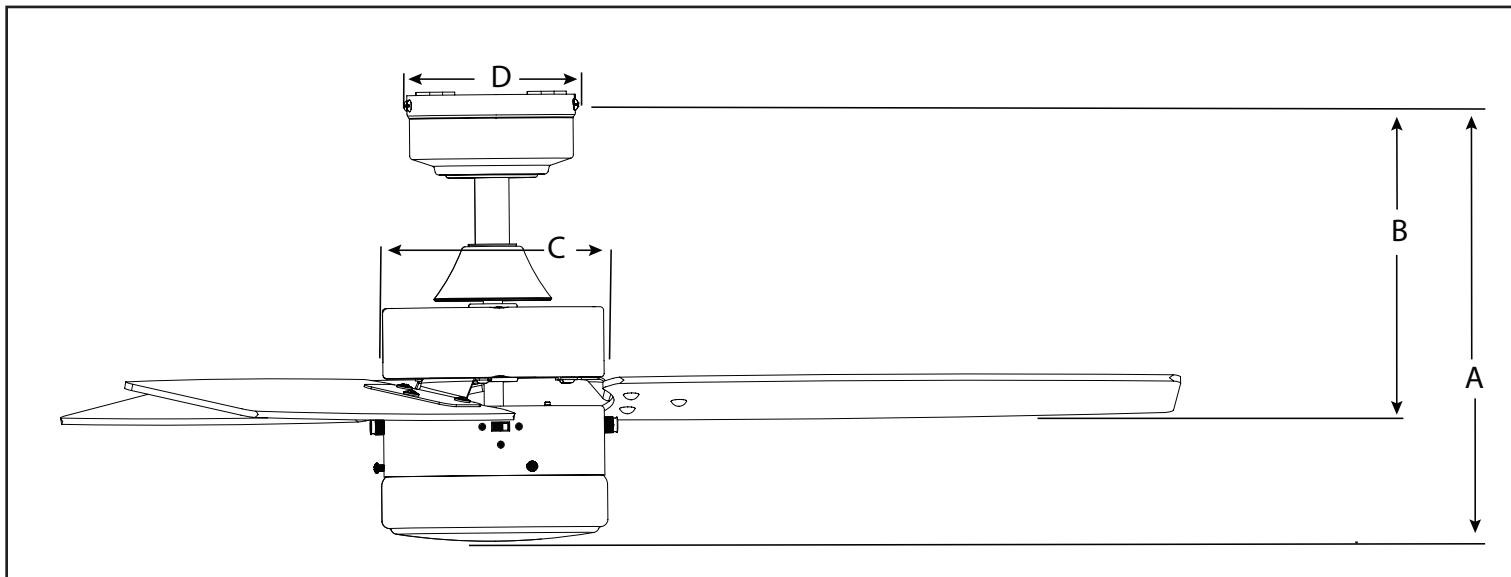
## TOOLS REQUIRED (not included)



**Tools required for assembly:** Electrical tape, Phillips Screwdriver, Pliers, Safety Glasses, Step Ladder, Wire Cutters and Wire Strippers

**Helpful Tools:** AC Tester Light, Tape Measure, and Wiring Handbook

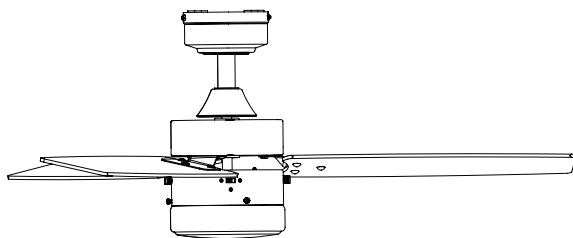
## DIMENSION REFERENCE



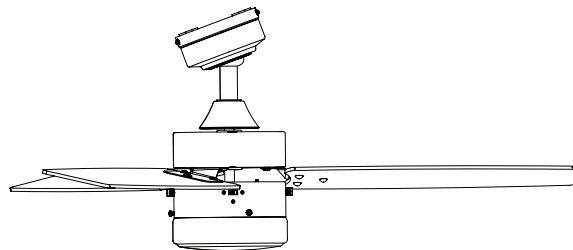
A. 13.66 in. B. 8.65 in. C. 6.74 in. D. 5.12 in.

## MOUNTING OPTIONS

### Two Mounting Options



Downrod Mount



Angled Ceiling Mount (Up to 16 degrees)

Choose one of the following mounting options:

**Downrod Mount** is best suited for ceilings 8 ft. or higher. For taller ceilings you may want to use a longer downrod (not included).

**Angled Ceiling Mount** is best suited for angled or vaulted ceilings. A longer downrod is sometimes necessary to ensure proper blade clearance from the ceiling. If using the angle mount, check to ensure the ceiling angle is not steeper than 16°.

## SAFETY INSTRUCTIONS

READ ALL SAFETY INFORMATION AND INSTALLATION INSTRUCTIONS BEFORE YOU BEGIN INSTALLING THE FAN AND SAVE INSTRUCTIONS.

### CAUTION:

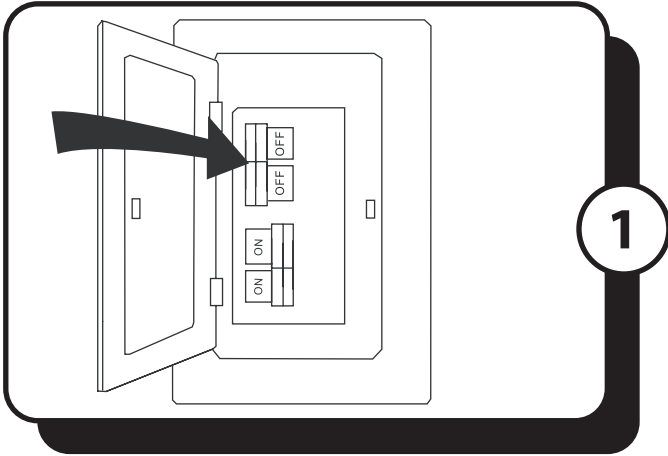
- All set screws of the fan must be checked and retightened where necessary before installation.
  - To reduce the risk of personal injury, do not bend the blade brackets when installing the brackets, balancing the blades or cleaning fan. Do not insert foreign objects in between rotating fan blades.
  - Before changing the fan direction, turn off the fan and wait for the fan blades to stop completely.
  - The safeguards provided by these safety instructions and by the separate installation instructions are not meant to cover all possible conditions and situations that may occur. It must be understood that common sense, caution and care are factors which can not be built into this product. These factors must be supplied by the person(s) installing, caring for and operating the fan.
  - The fan weight is Net Weight: 11.57 lb (5,26 kg). Be sure the outlet box (not included) is securely attached to the building structure and is marked "Acceptable For Fan Support". Failure to do so can result in serious injury.
  - This device complies with Industry Canada license-exempt RSS standard(s). Operation is subject to the following two conditions: (1) this device may not cause interference, and (2) this device must accept any interference, including interference that may cause undesired operation of the device (if applicable).
  - CAN ICES-005 (B) / NMB-005 (B)
  - This device complies with part 15 of the FCC Rules. Operation is subject to the following two conditions: (1) This device may not cause harmful interference, and (2) this device must accept any interference received, including interference that may cause undesired operation.
  - This equipment has been tested and found to comply with the limits for a Class B digital device, pursuant to Part 15 of the FCC Rules. These limits are designed to provide reasonable protection against harmful interference in a residential installation. This equipment generates, uses and can radiate radio frequency energy and, if not installed and used in accordance with the instructions, may cause harmful interference to radio communications. However, there is no guarantee that interference will not occur in a particular installation. If this equipment does cause harmful interference to radio or television reception, which can be determined by turning the equipment off and on, the user is encouraged to try to correct the interference by one or more of the following measures:
    - Reorient or relocate the receiving antenna.
    - Increase the separation between the equipment and receiver
    - Connect the equipment into and outlet on a circuit different from that to which the receiver is connected.
    - Consult the dealer or an experienced radio/TV technician for help.
- Please note changes or modifications not expressly approved by the party responsible for compliance could void the user's authority to operate the equipment.

## SAFETY INSTRUCTIONS

### WARNING:

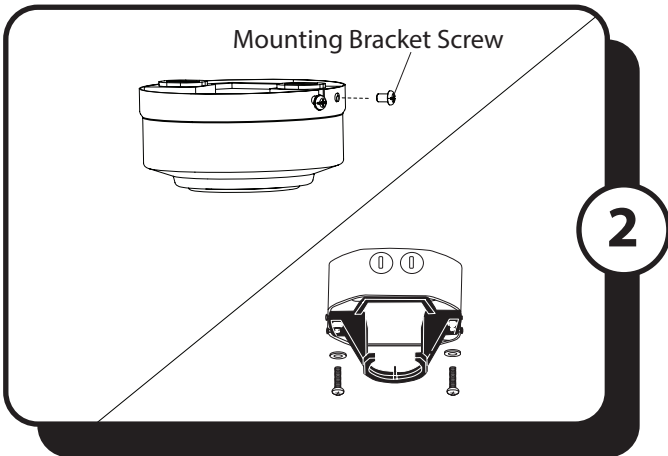
- To avoid risk of electric shock, be sure to shut off power at the main fuse or circuit breaker box before installing or servicing this fixture. Turning off the electrical power by using the light switch is not sufficient to prevent electrical shock.
- To reduce the risk of injury, install the fan so that the blades are at least 7 feet (2.1 Meters) above the floor and at least 18 inches (0.5 Meters) from the tip of the blades to the wall.
- To reduce the risk of fire, electric shock, or personal injury, mount to outlet box marked "acceptable for fan support" and use mounting screws provided with the outlet box.
- The installation has to be in accordance with the national electrical code, ansi/nfpa 70-1999 and local codes. If you are unfamiliar with the methods of installing electrical wiring, seek the services of a qualified licensed electrician.
- Using a full-range dimmer switch to control fan speed will cause a loud humming noise from the fan. To reduce the risk of fire or electric shock, do NOT use a full-range dimmer switch to control the fan speed.

## ASSEMBLY INSTRUCTIONS



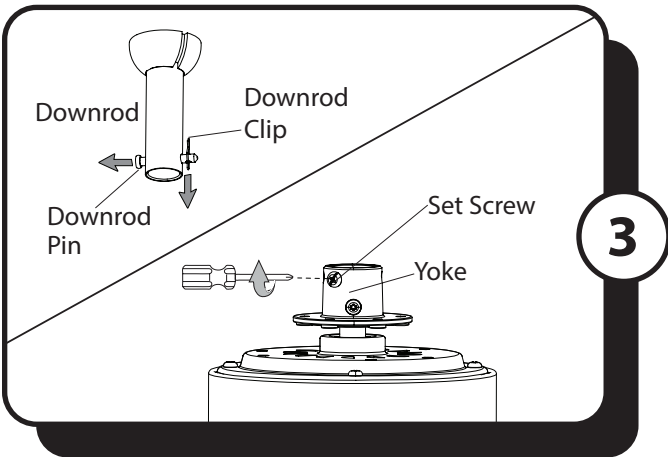
1. Turn OFF the electrical power at the main fuse or circuit breaker.

**DANGER:** Failure to disconnect the power supply prior to installation may result in serious injury or death.

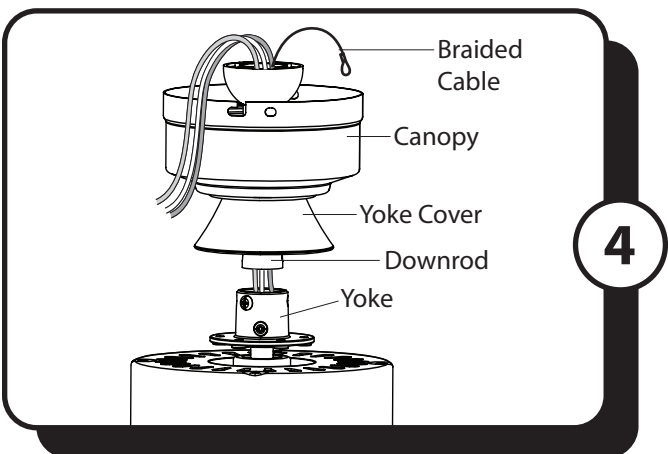


2. Remove the mounting bracket by removing the two mounting bracket screws from the round holes in the canopy. Then loosen the other two mounting bracket screws from the J-slots. Retain the mounting bracket screws for later. Install the mounting bracket to the outlet box (not included) using the screws and washers provided with the outlet box.

**Warning:** To reduce the risk of fire electric shock, or personal injury, mount to the outlet box marked "acceptable for fan support" and use the mounting screws and washers provided with the outlet box.

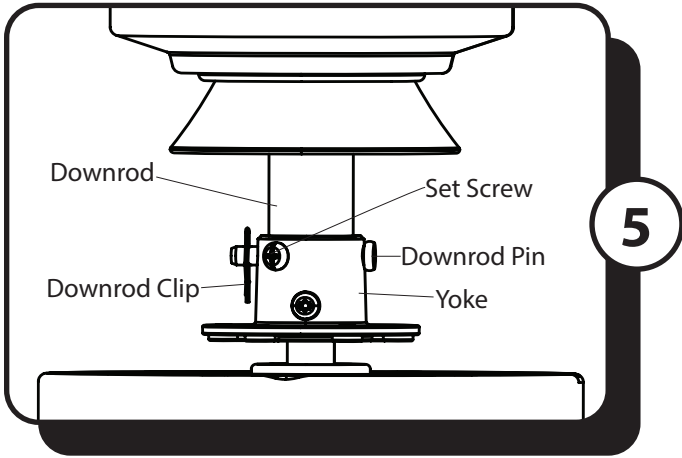


3. Remove the downrod clip and downrod pin from the downrod. Then, loosen but do not remove the two set screws at the top of the yoke.



4. Feed the wires and braided cable coming from the yoke through the yoke cover, canopy and downrod.

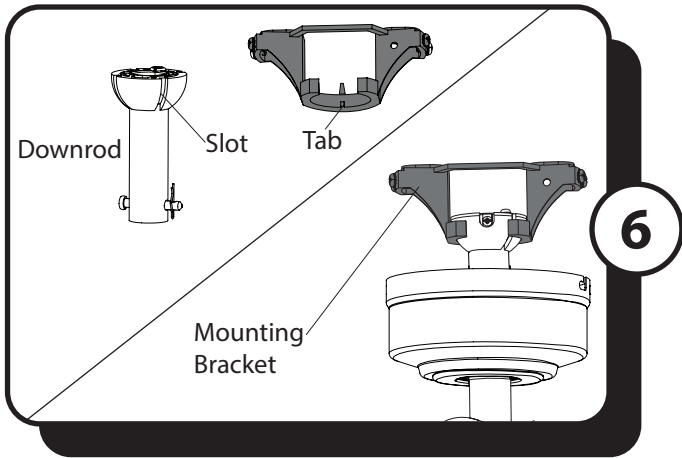
## ASSEMBLY INSTRUCTIONS



5. Insert the downrod into the yoke and reinstall the downrod pin and downrod clip. Then retighten the two set screws.

**Note:** With wiring extending out of the downrod, measure 8 inches of lead wire and cut the excess wire with wire cutters (not included). Then strip 1/2" of insulation from the end of each wire.

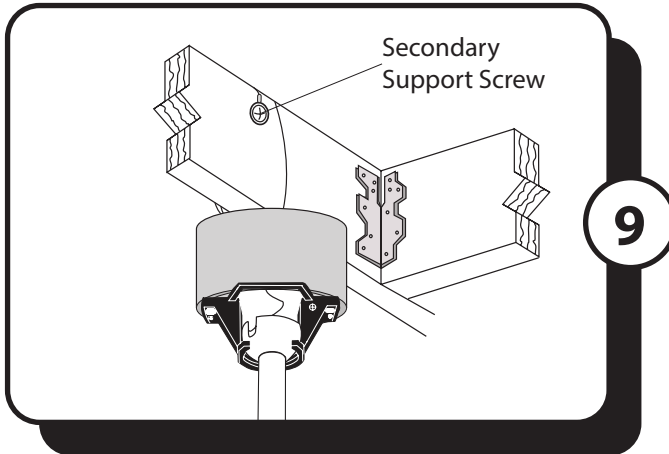
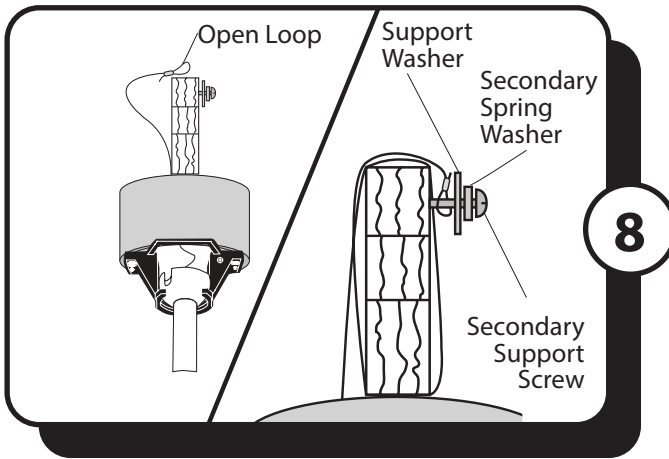
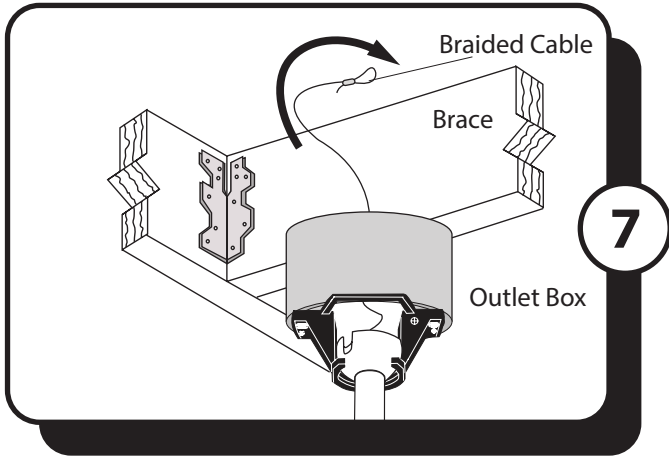
**WARNING:** Do not cut braided cable.



6. Lift the downrod into the mounting bracket. Rotate the downrod until the tab in the mounting bracket is seated in the slot in the downrod ball.

**WARNING:** The fan and/or downrod should not rotate in the mounting bracket, if installed correctly. Failure to align the slot in the downrod ball with the tab on the mounting bracket may result in fan falling causing serious injury or death.

## ASSEMBLY INSTRUCTIONS



### SECONDARY HANGING SYSTEM

**For installation in the United States:** Building codes in the U.S.A. do not require installation of a Secondary Hanging System. If desired, the braided cable can be cut and removed using wire cutters (sold separately). *Skip to Step 10.*

**For installation in Canada:** In compliance with building codes in Canada, installation of the Secondary Hanging System is required.

7. Feed the loop of the braided cable, preassembled to the motor assembly, up through the outlet box mounted in the ceiling.

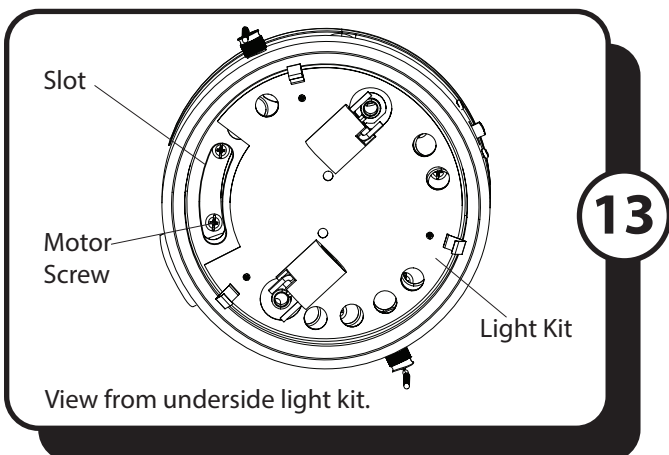
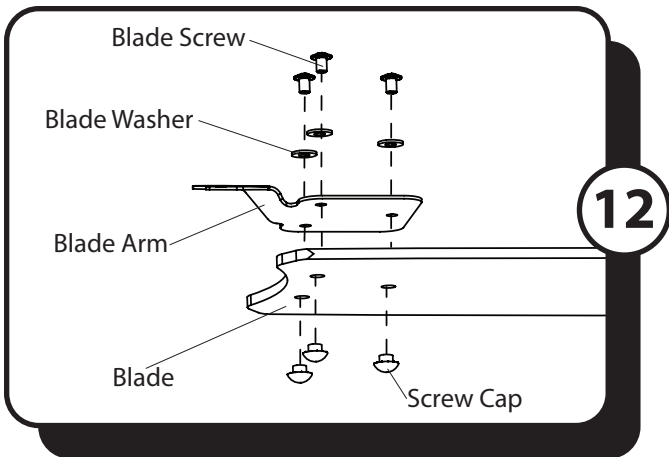
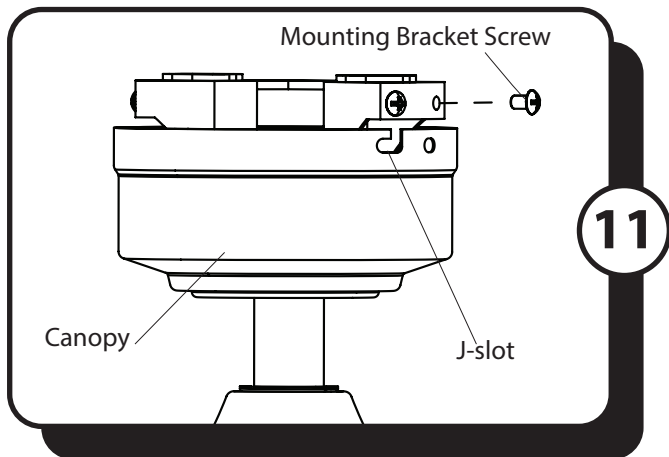
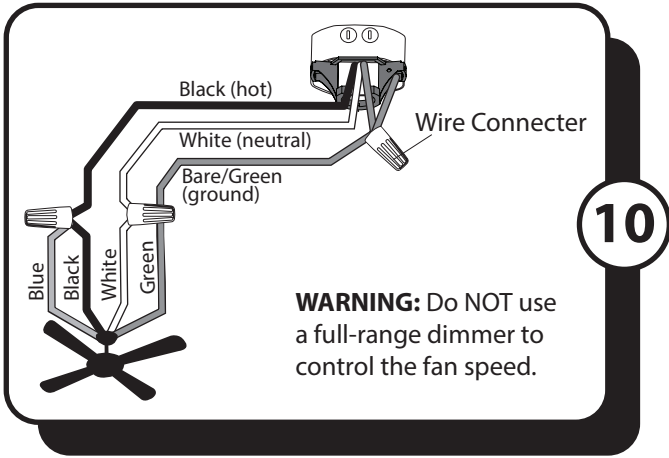
8. Install secondary support screw, secondary spring washer, and support washer partly into the side of the brace installed in the ceiling. Then lift the braided cable up and over the ceiling brace and place the open loop of the braided cable around the secondary support screw.

**Note:** The ceiling support brace may not be accessible from below. If not, it must be accessed from above.

**Important:** The braided cable must make a complete circle around the support brace to secure the fan.

9. Tighten the secondary support screw securing the braided cable.

## ASSEMBLY INSTRUCTIONS



10. Connect household supply and fan wires according to the diagram and these steps:

- Connect the Green wire from the downrod and mounting bracket to the Bare/Green (ground) supply wire.
- Connect the White wire from the fan to the White (neutral) supply wire.
- Connect the Black and Blue wires from the fan to the Black (hot) supply wire.
- Secure all wiring connections together with wire connectors.

**Note:** If there is a second hot/power wire coming from the outlet box, connect it to the Blue (light power) fan wire for separate light and fan control.

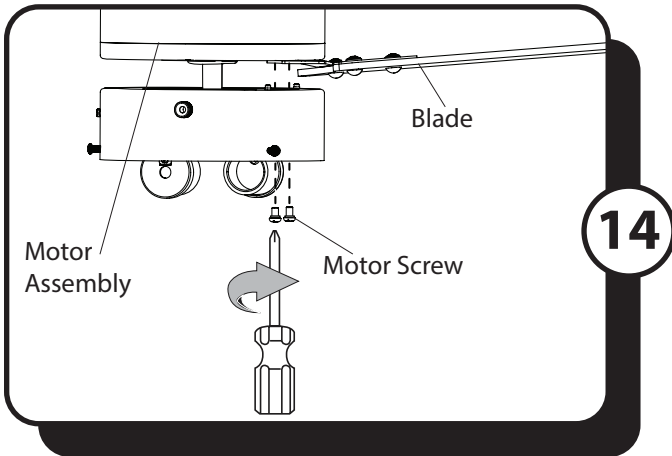
**Important:** The Blue fan wire is power for the light. The Black wire is power for the fan. The White wire is common/neutral. The Green wire is the ground wire. If supply wires are different colors than referred to above, a professional electrician should determine proper wiring.

11. Align the canopy over the loosened mounting bracket screws. Place the J-slot of the canopy onto the mounting bracket screws and rotate clockwise. Secure the canopy with the two previously removed mounting bracket screws. Tighten all the mounting bracket screws securely.

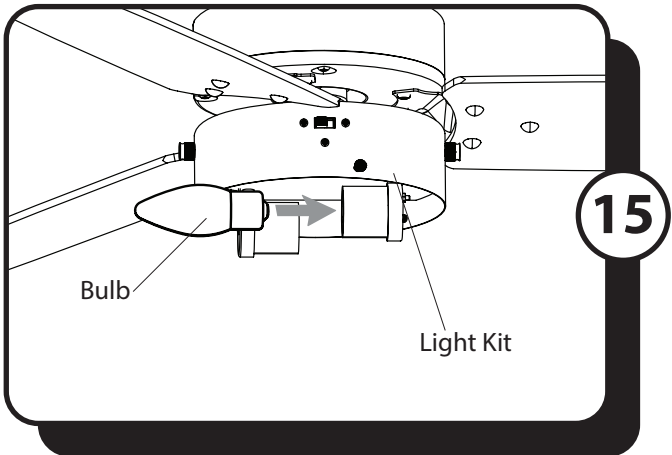
12. Insert the blade screws along with the blade washers through the blade and into the blade arm and secure with a screw cap. Repeat this step for the remaining blades and blade arms.

13. Remove the six motor screws from the bottom of the motor assembly using a Phillips screwdriver (not included). **Note:** A magnetic Phillips screwdriver (not included) might make this step easier. **Note:** The slot in the light kit allows access to the preassembled motor screws.

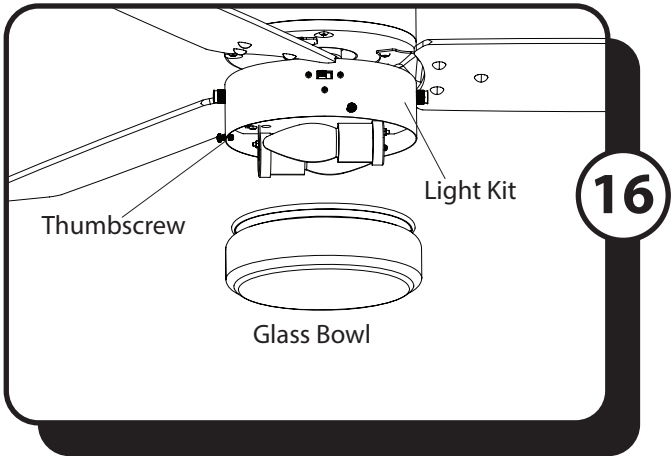
## ASSEMBLY INSTRUCTIONS



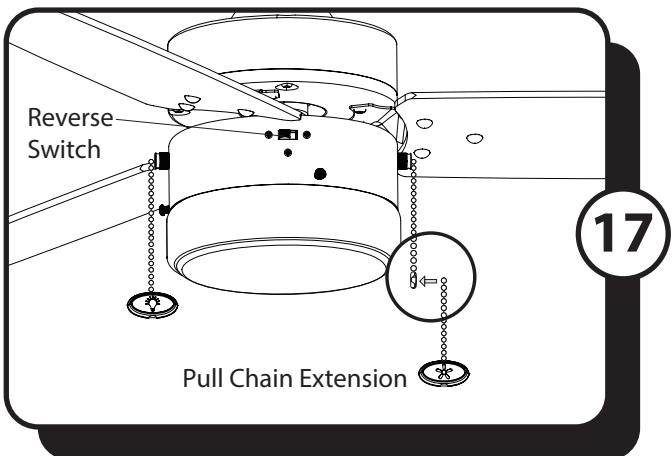
14. Attach a blade assembly to the underside of motor assembly using previously removed motor screws. Completely secure each blade assembly before moving to the next.



15. Install the bulbs into the sockets of the light kit. **Important:** Make sure to allow the bulbs to cool before you replace them.



16. Loosen the three thumbscrews near the bottom of the light kit. Lift the glass bowl into the light kit and re-tighten the previously loosened thumbscrews to secure.

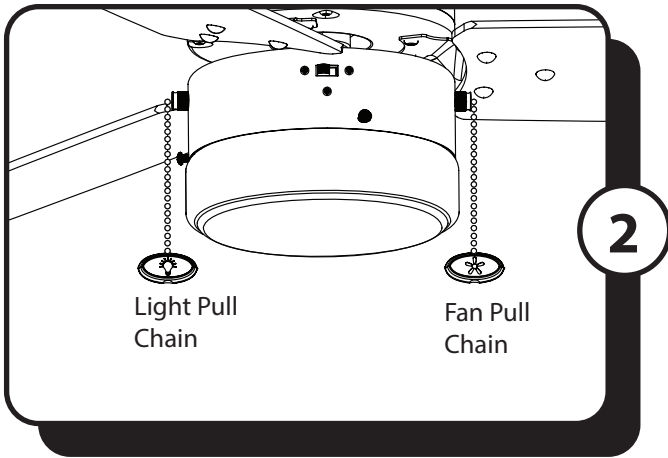
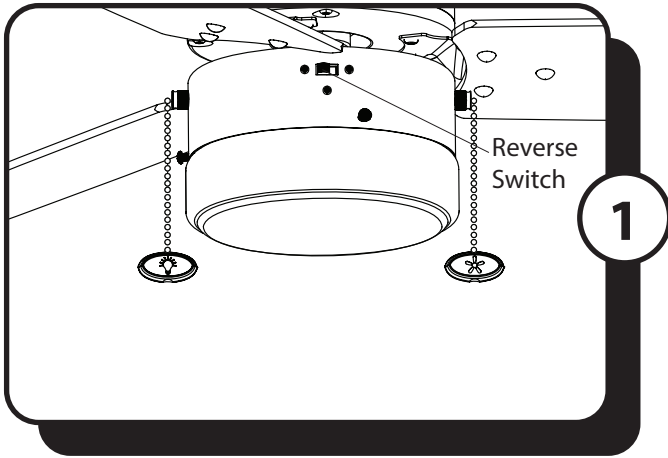


17. Attach pull chain extensions to the pull chains. **Note:** When facing the reverse switch, the fan pull chain is on the left and the light pull chain is on the right.

Turn ON the electrical power at the main fuse or circuit breaker and the wall switch.

Installation is complete.

## OPERATING INSTRUCTIONS



1. Using a ceiling fan will allow you to raise your thermostat setting in summer and lower your thermostat setting in winter without feeling a difference in your comfort.

**In warmer weather**, push the reverse switch **left** which will result in downward airflow creating a wind chill effect.

**In cooler weather**, push the reverse switch **right** which will result in upward airflow that can help move stagnant, hot air off the ceiling area.

**Important:** Wait for the fan to stop before moving the reverse switch. The reverse switch must be set either completely left or right in order for the fan to function correctly. If the reverse switch is set in the middle position, the fan will not operate.

2. The fan pull chain is located to the right of the reverse switch. It has four positions to control fan speed. One pull is HIGH, two is MEDIUM, three is LOW and four turns the fan OFF. The light pull chain is located to the left of the reverse switch. It turns the light ON and OFF.

## TROUBLESHOOTING

If you have difficulty operating your new ceiling fan, it may be the result of incorrect assembly, installation or wiring. In some cases, these installation errors may be mistaken for defects. If you experience any faults, please check the Troubleshooting section below. If a problem cannot be remedied or you are experiencing difficulty in installation, please contact the Service Department: 1-877-706-3267, 8 a.m.-5 p.m. Central, Monday-Friday.

### PROBLEM

### SUGGESTED REMEDY

**WARNING:** To reduce the risk of fire, electrical shock or personal injury, shut off the power supply to fan before you begin any maintenance tasks.

- |                         |  |
|-------------------------|--|
| 1. Fan does not start:  | <ol style="list-style-type: none"><li>1. Make sure that the wall switch is turned ON.</li><li>2. Check main and branch circuit fuses or circuit breakers.</li><li>3. Check all wire connections from household supply wires to the fan.</li><li>4. Make sure forward/reverse switch pushed completely left or right. Fan will not operate when switch is in the middle.</li></ol>  |
| 2. Fan is noisy:        | <ol style="list-style-type: none"><li>1. Make sure all screws in motor assembly are snug, but not overtightened.</li><li>2. Make sure the screws that attach the blade arms to the motor are tight.</li><li>3. Make sure wire connectors are not rattling against each other or against the interior wall of the switch housing.</li><li>4. Make sure wire connectors are not rattling against each other or against the interior wall of the canopy.</li><li>5. Some fan motors are sensitive to signals from Solid State variable speed controls. <b>DO NOT USE</b> a Solid State variable speed control.</li><li>6. Ensure fan does not wobble excessively (see Fan wobbles solutions below).</li></ol> |
| 3. Fan wobbles:         | <ol style="list-style-type: none"><li>1. Ensure the mounting bracket is tightened securely to outlet box and outlet box is mounted firmly to ceiling joist.</li><li>2. Ensure all blades are screwed firmly into blade arms.</li><li>3. Ensure all blade arms are tightened securely to motor.</li><li>4. Switch one blade with a blade from the opposite side. Or balance the fan using the blade balancing kit.</li><li>5. If blade wobble is still noticeable, interchanging two adjacent (side by side) blades can redistribute the weight and possibly result in smoother operation.</li></ol>  |
| 4. Light does not work: | <ol style="list-style-type: none"><li>1. Check for loose or disconnected 9-pin and/or single-pin connectors in switch housing or light kit.</li><li>2. Ensure the blue wire from fan is connected to hot power supply wire.</li><li>3. Check for faulty light bulbs.</li><li>4. Ensure total wattage of bulbs does not exceed 180 watts (for incandescent bulbs only).</li></ol>   |

# LIMITED LIFETIME WARRANTY

Set forth below, the manufacturer, Hong Kong China Electric appliance Company (HKC) warrants the fan motor for this ceiling fan to be free from defects in workmanship and material for the life of the product. Also, subject to the limitations below, HKC warrants all ceiling fan parts ("ceiling fan parts" excludes the motor and parts made in whole or in part with glass) to be free from defects in workmanship and material for a period of one year after the date of purchase by the original purchaser at retail.

All claims must be made by the original purchaser, whether such purchaser purchased the product through a store or contractor. Ceiling fan part defects must be reported within the first year from the date of purchase. Parts made in whole or in part with glass and the finishes of metal and other surfaces are not warranted.

Purchasers are responsible for all costs of removing and reinstalling the product. Any damage to any part caused by ordinary wear and tear, accident, misuse, or improper installation, is not covered by this warranty. HKC assumes no responsibility whatsoever for fan installation. Any service performed by a non-licensed electrician will render the warranty invalid.

HKC's sole responsibility shall be to repair or replace the motor, parts, or product within the terms stated above. HKC shall not be liable for any loss or damage of any kind, including any incidental or consequential damages resulting directly or indirectly, from any breach of warranty, express or implied, or any other failure of this product. Some states do not allow the exclusion or limitation of incidental or consequential damages so this limitation may not apply to you.

If the original purchaser ceases to own the fan, this warranty is voided.

Should the purchaser encounter a problem with your fan related to defects in workmanship or materials within the warranty period associated with the defective part, HKC agrees to replace the defective part without charge, or at its option, to replace the ceiling fan with a comparable or superior model.

HKC's warranties are limited to the written warranties set out in this HKC ceiling fan limited lifetime warranty. All other express and implied warranties, including, without limitation, the implied warranty of fitness for a particular purpose and the implied warranty of merchantability are disclaimed. Some states do not allow the disclaimer of implied warranties, so this disclaimer may not apply to you.