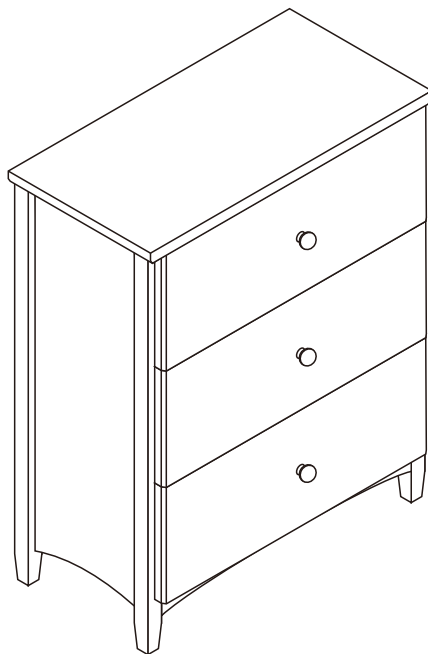


WP FURNITURE / INSTRUCTIONS

3 DRAWERS NIGHTSTAND

Need Assistance? - 315-7580-751 - Text
email: lori@shopwp.com



①		Φ1/4" X 1 .1/2"	x12
②		HANDLE	x3
③		Φ5/16" X 1.3/16"	x18
④		SCREWDRIVER	x1
⑤		SCREW	x3
⑥		Φ15/64" X 1 .3/16"	x6
⑦		GLUE	x1
⑧		Φ5/32" X 1"	x28
⑨		Φ5/32" X 5.1/64"	x6

*** Extra screw for your commitment.**

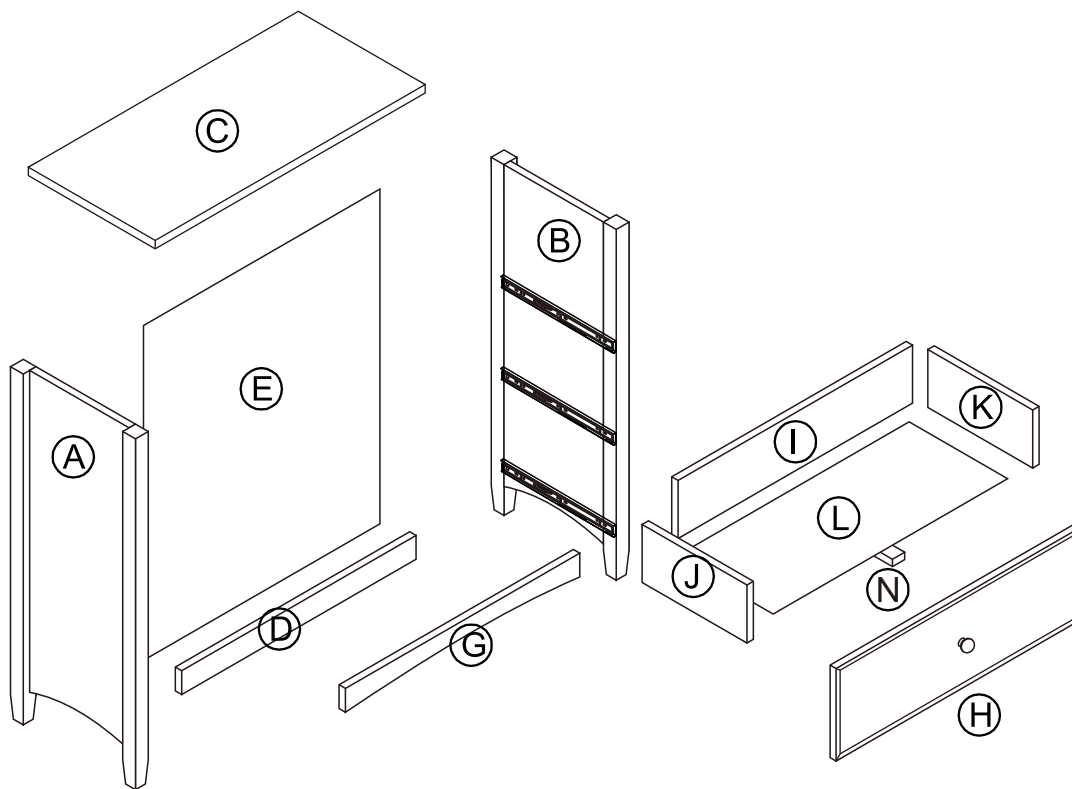
*** Please assemble flat or nice service.**

"Congratulations on Your Recent Purchase! Here Are Some Tips Before You Begin Assembling:"

"Preparing for your exciting new purchase? Be sure to set yourself up for a smooth assembly process by following these steps:"

- First, we recommend using a rug or any large clean surface as your workspace to provide a sturdy base for assembly.
- Next, it is important to separate all components and identify each part by their designated letters. This will make it easier to follow the assembly instructions and ensure all pieces are placed correctly.
- Additionally, on a clean surface separate and identify all screws lengths and hardware. You can use the assembly instructions as a guide and place the screws on top of the actual size pictured. This will save you time and confusion during the assembly process.
- Finally, we highly encourage you to carefully read through the assembly instructions and start from step one. Follow each step diligently until your new purchase is fully assembled. However, if you have any questions or need further assistance, please do not hesitate to reach out to us via email.

**Thank you again for choosing our product.
We wish you all the best and happy assembling!**



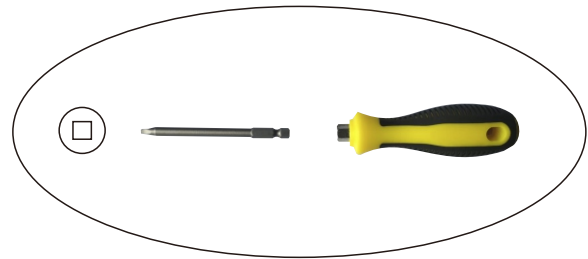
Parts list		
A	Left side panel	1 pc
B	Right side panel	1 pc
C	Top panel	1 pc
D	Back kick plate	1 pc
E	Back panel	1 pc
G	Kick plate	1 pc
H	Drawer fronts	3 pcs
I	Drawer back panels	3 pcs
J	Left drawer side panels	3 pcs
K	Right drawer side panels	3 pcs
L	Drawer bottom panels	3 pcs
N	Drawer bottom support	3 pcs

EACH PART IS LABELLED ACCORDING TO THE PARTS LIST

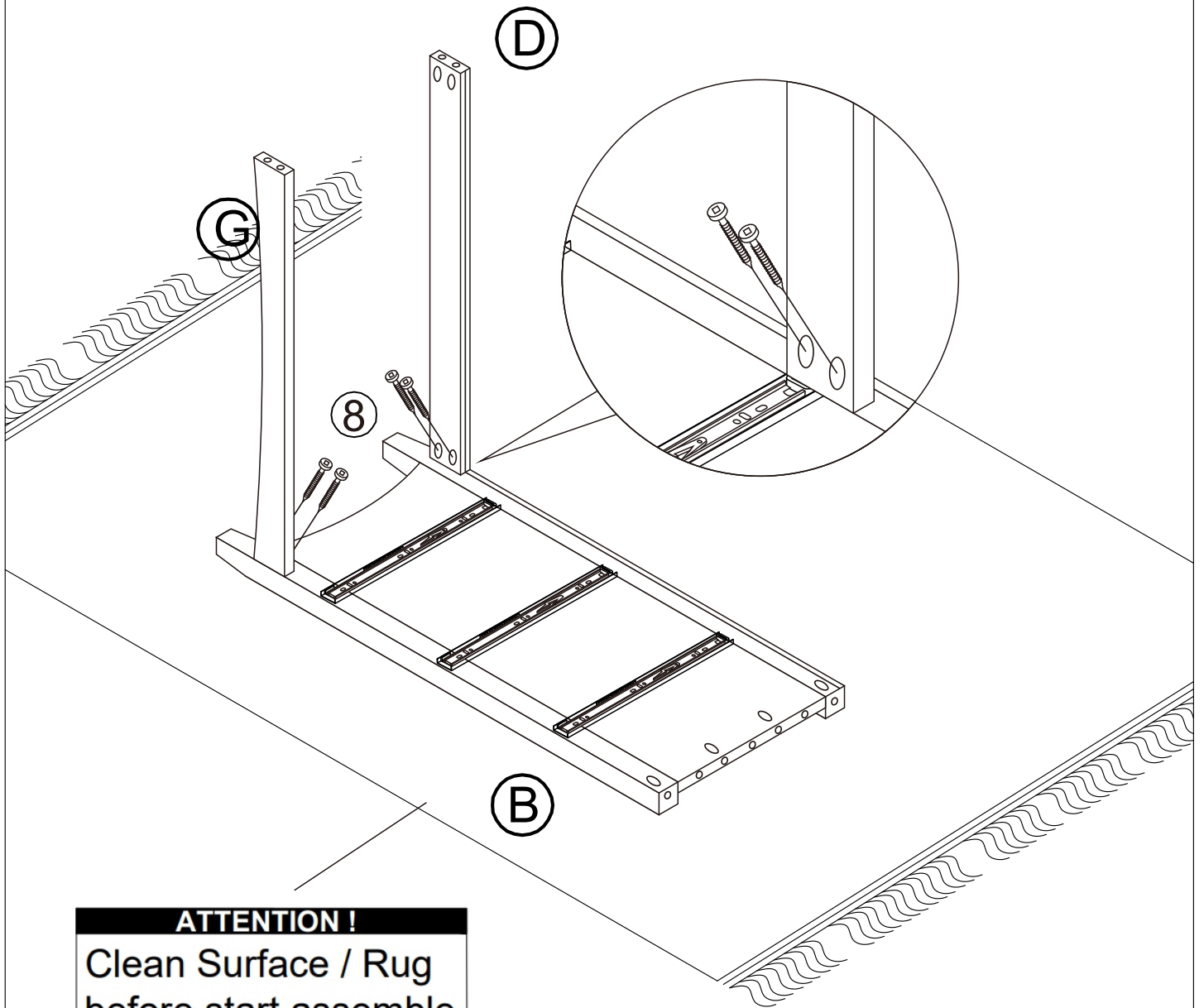


Before starting assembly
please verify if all parts and
hardware are included

STEP 1



Please use square tip insert.



ATTENTION !
Clean Surface / Rug
before start assemble

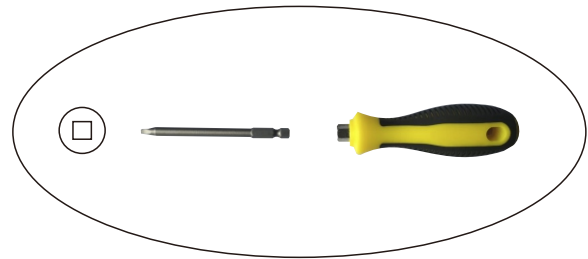
⑧



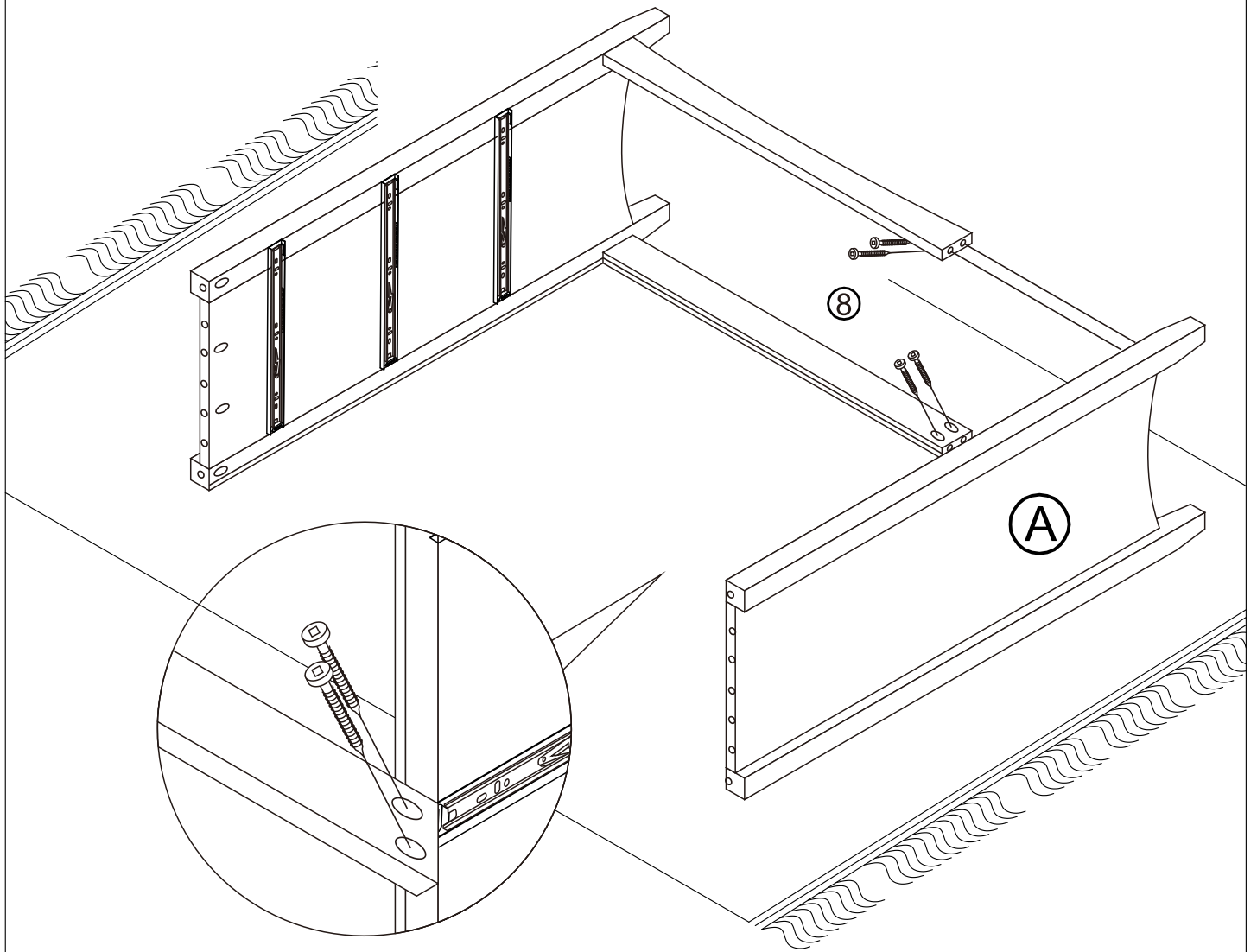
Φ5/32" X 1"

x4

STEP 2



Please use square tip insert.



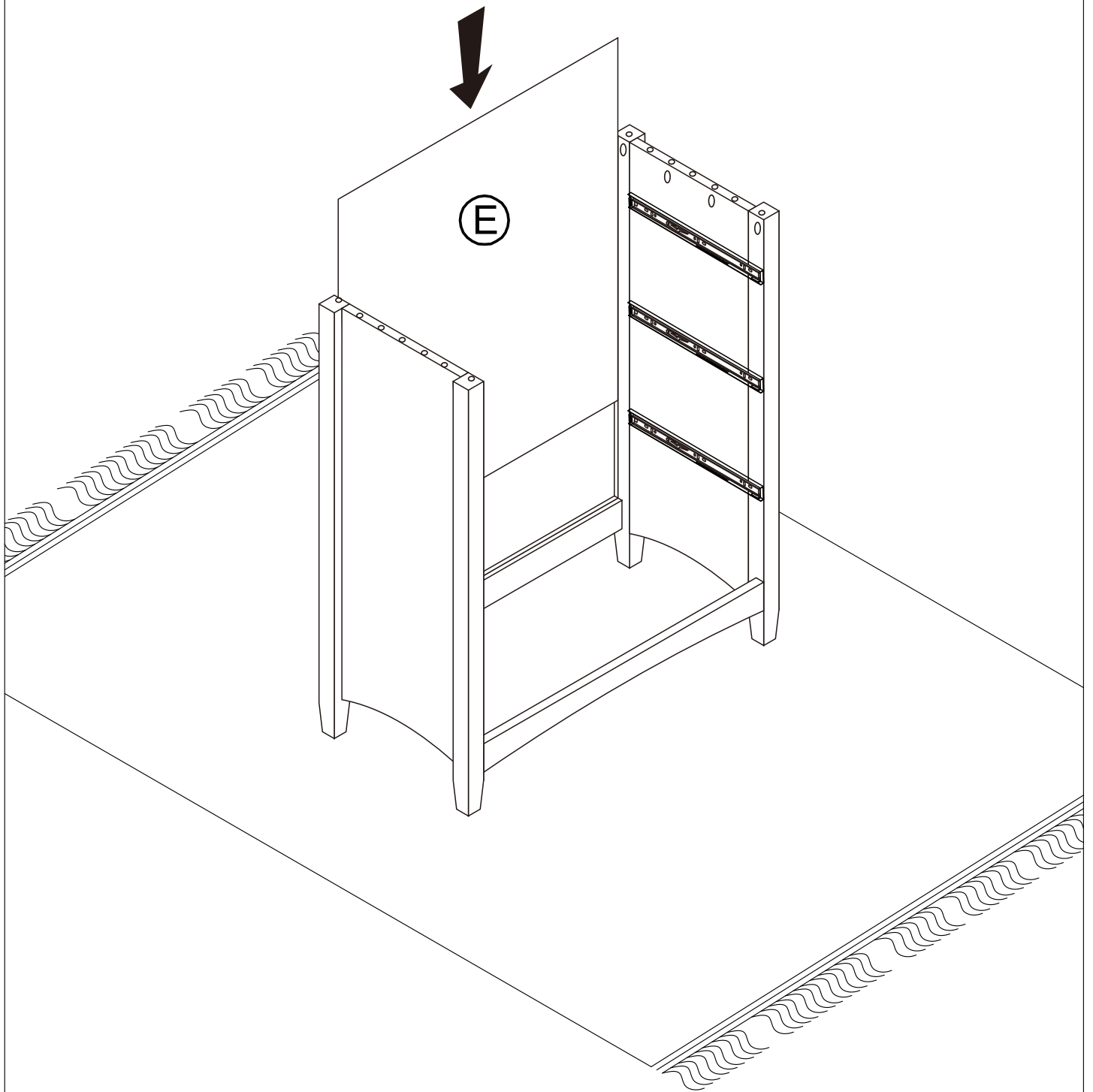
⑧



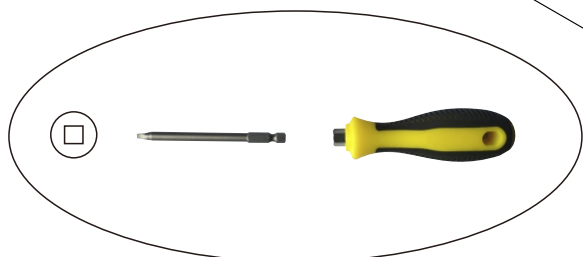
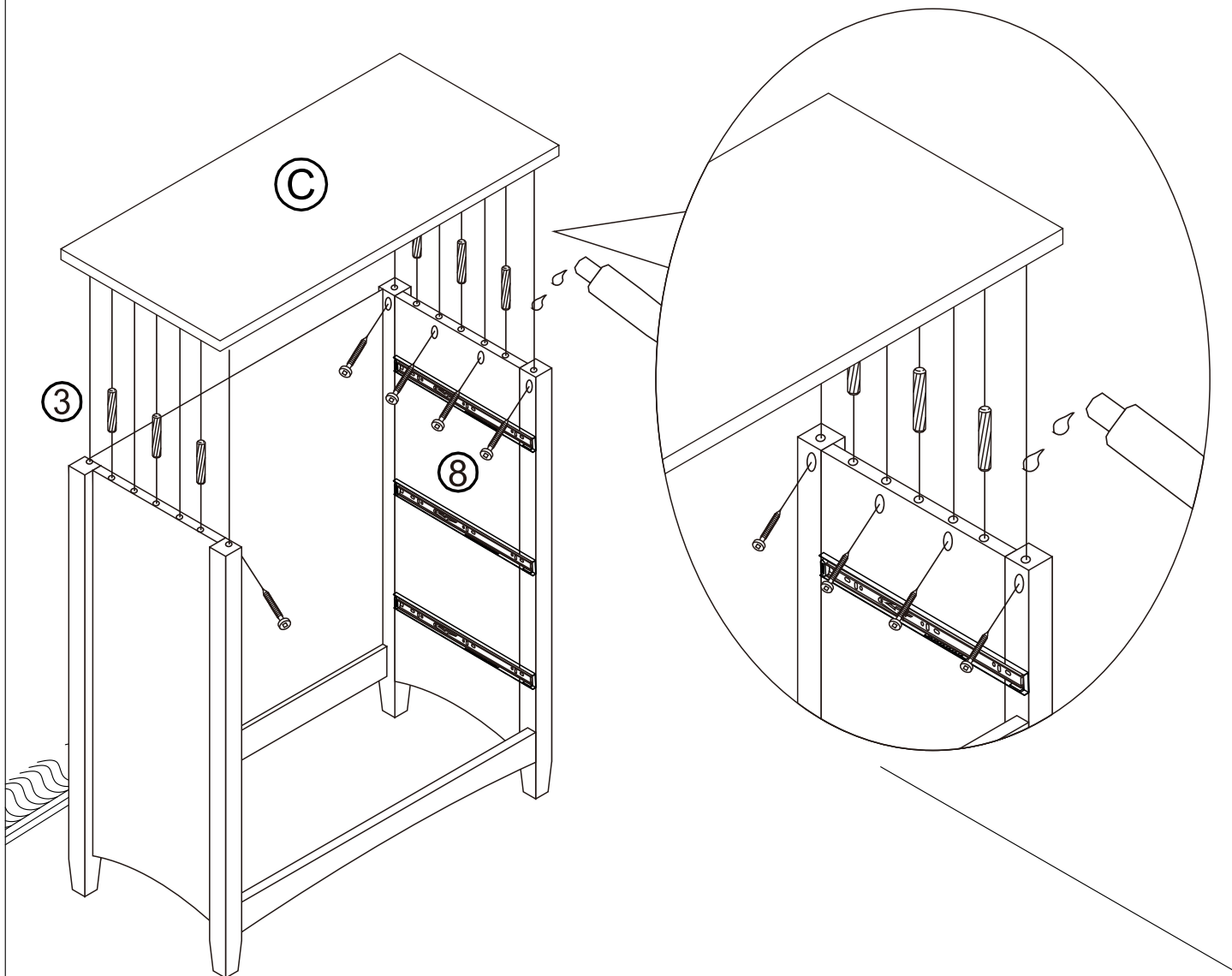
Φ5/32" X 1"

x4



STEP 3



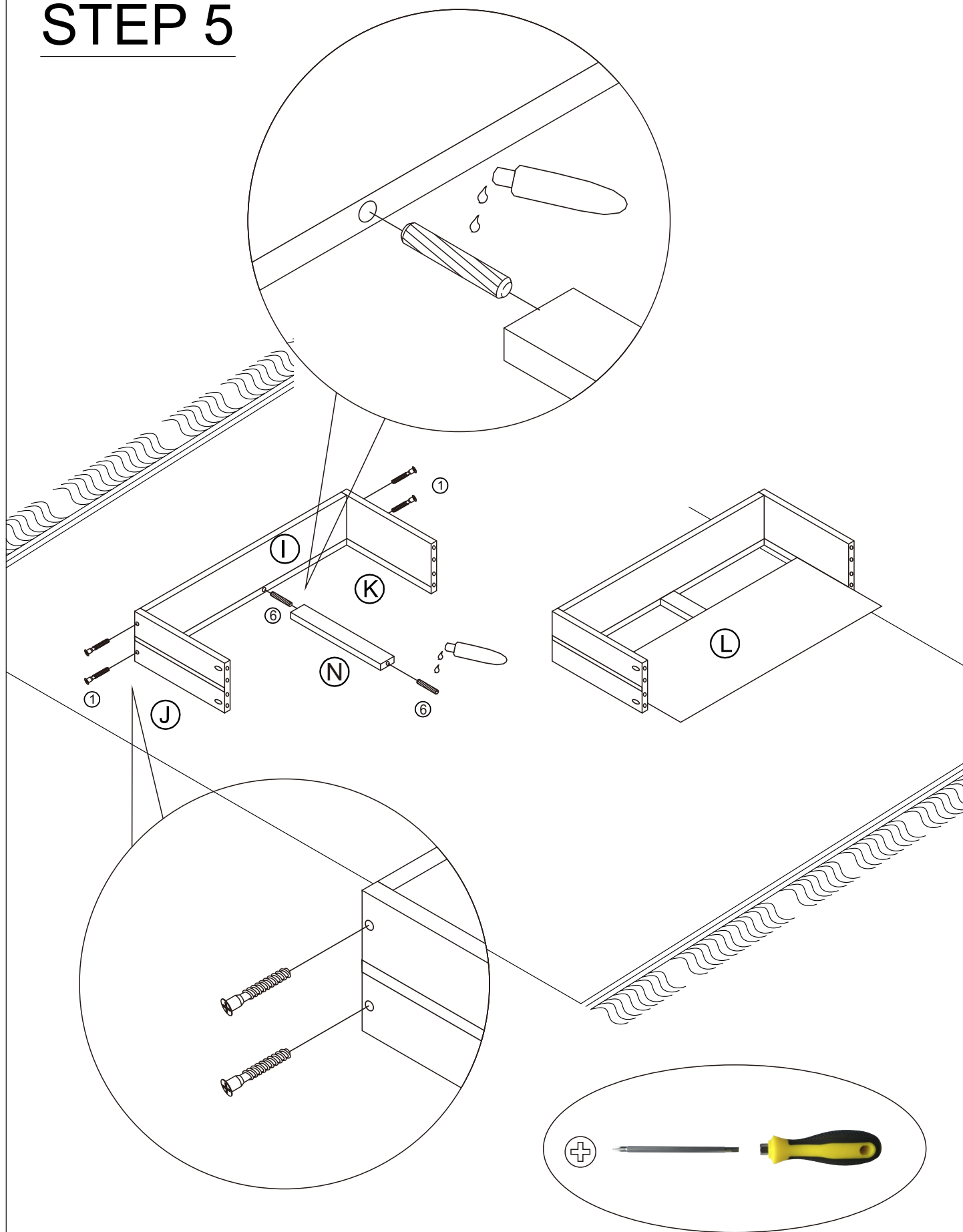
STEP 4





Please use square tip insert.

③		Φ5/16"X1.3/16"	x6
⑧		Φ5/32" X 1"	x8

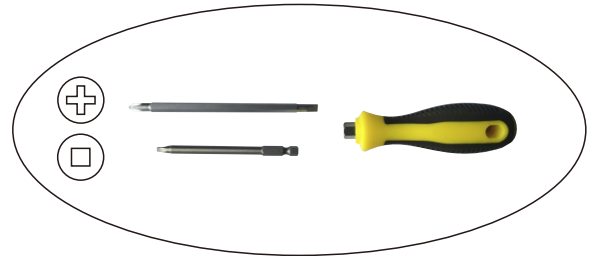
STEP 5



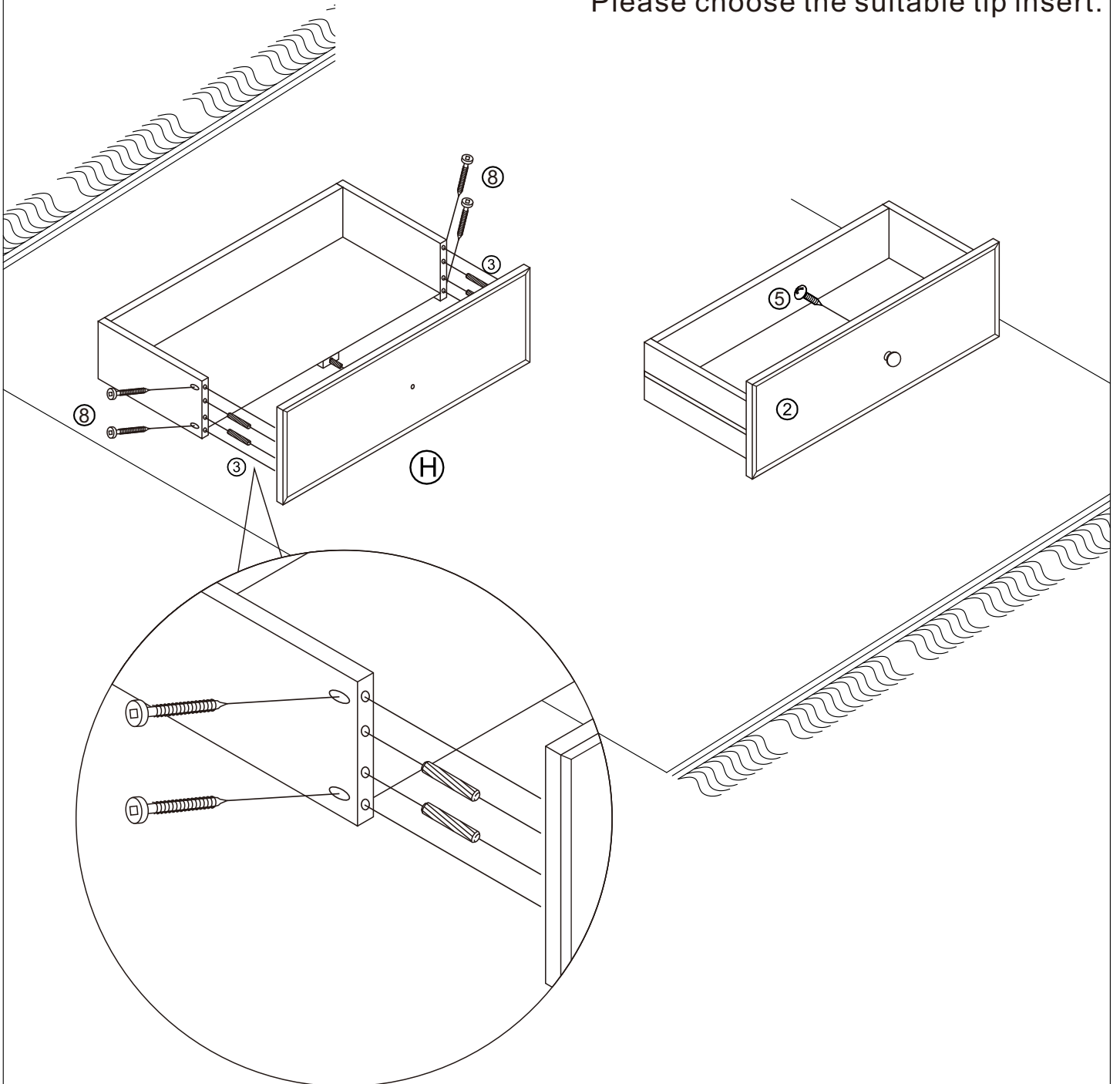
Please use Philips tip insert.

①		$\Phi 1/4'' \times 1.1/2''$	x12
⑥		$\Phi 15/64'' \times 1.3/16''$	x6

STEP 6

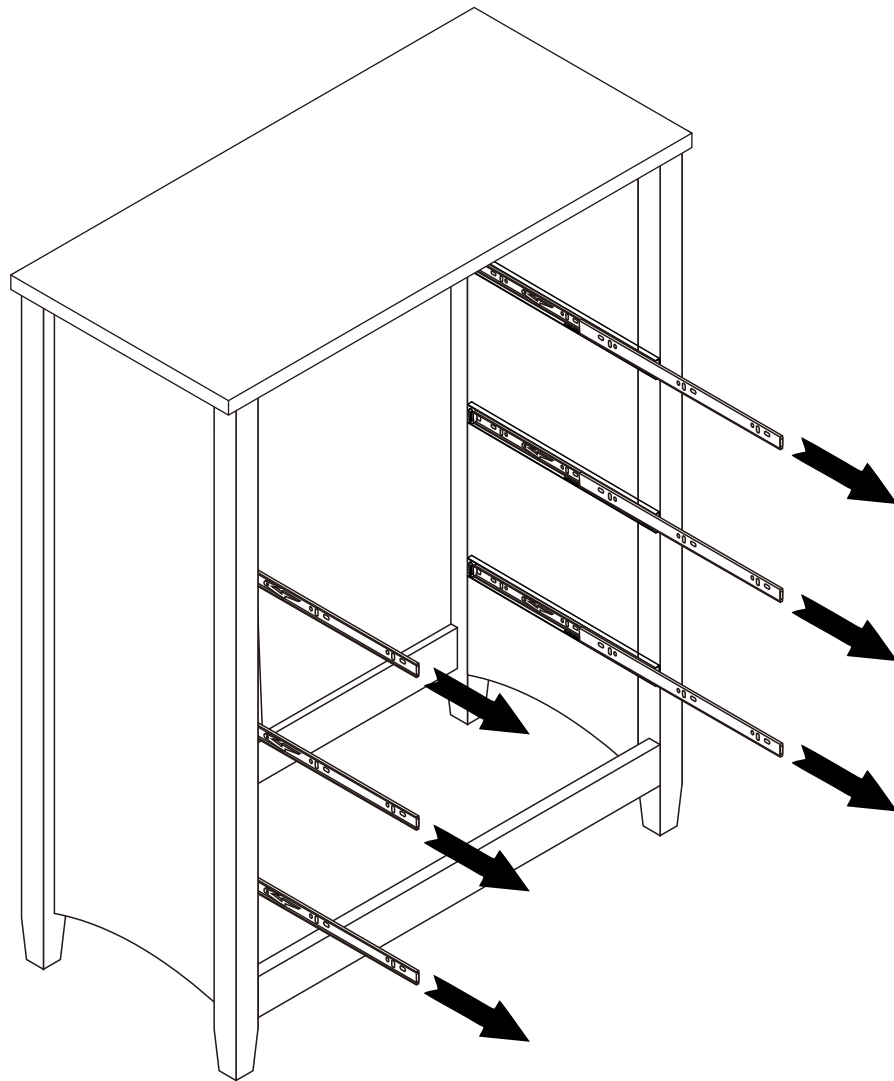


Please choose the suitable tip insert.

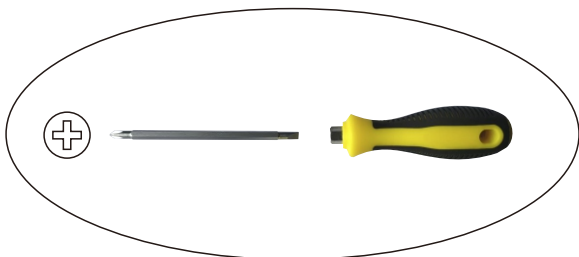
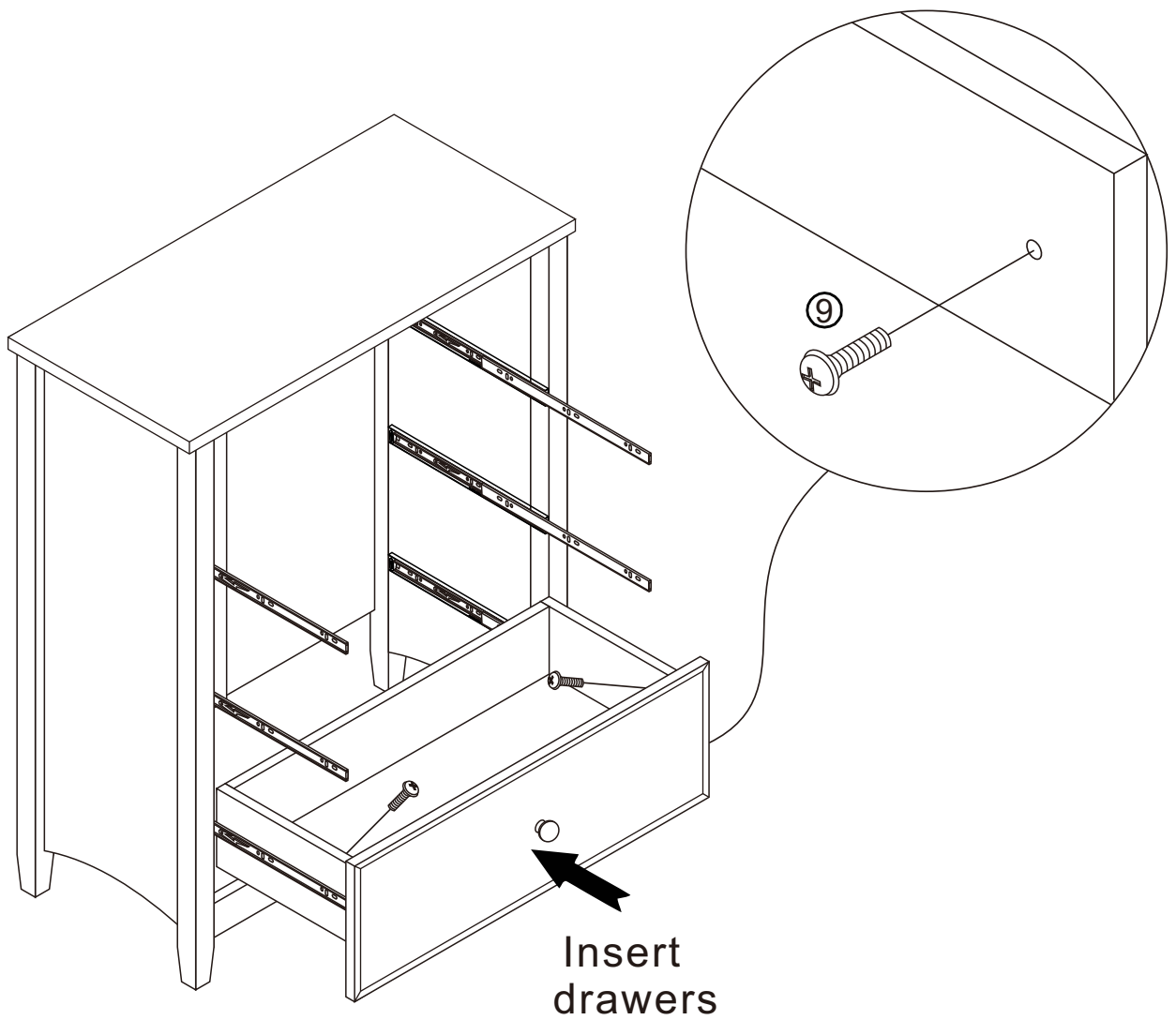


②		HANDLE	x3
⑤		SCREW	x3
③		Φ5/16"X1.3/16"	x12
⑧		Φ5/32" X 1"	x12

STEP 7



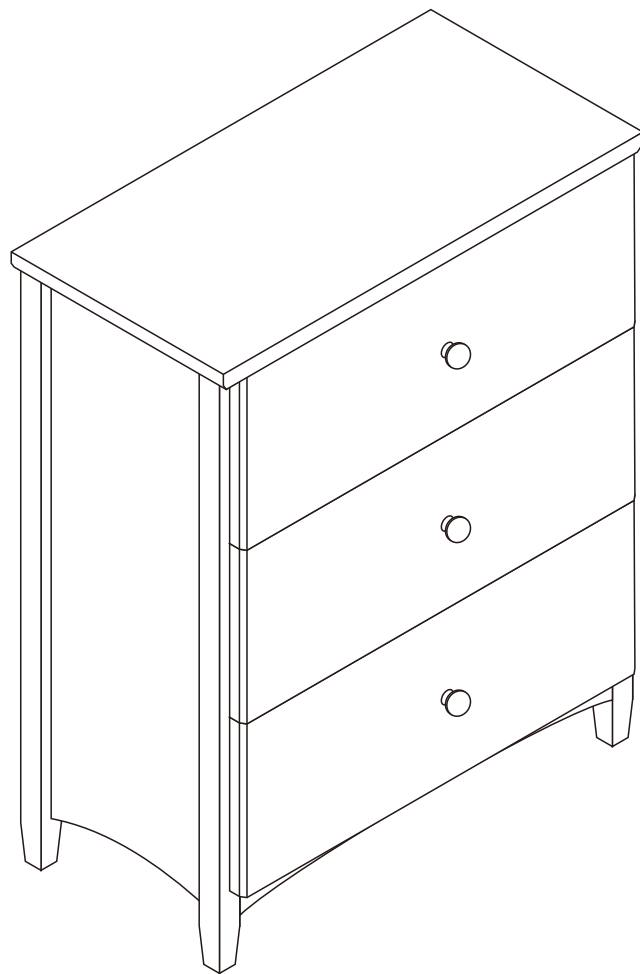
STEP 8



Please use Philips tip insert.



STEP 9



THANK YOU

We hope you enjoy your new purchase.

We have personally inspected this product.

In the event that you need any additional help for any reason,

Please do not hesitate to contact us at: 315-7580-751 / 973-751-7089

Email lori@shopwp.com

See our website wpfurniture.com

**WP FURNITURE
323 Cortland Street
Belleville New Jersey**

Thank you