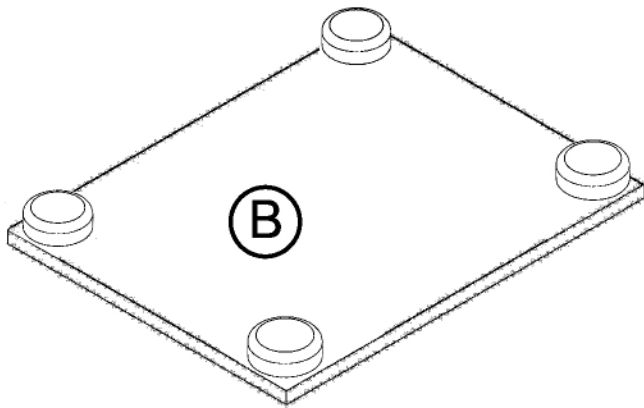


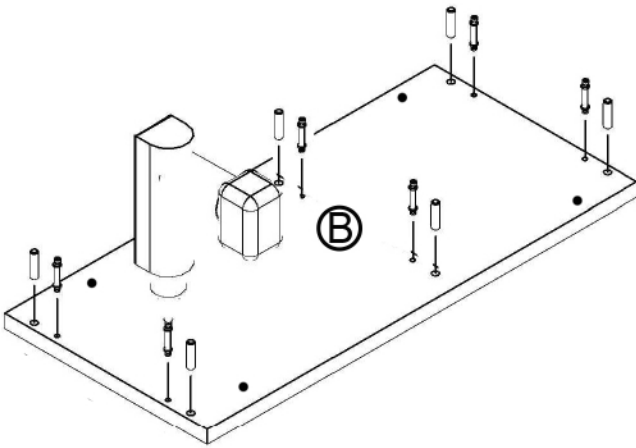
1

SIDE A

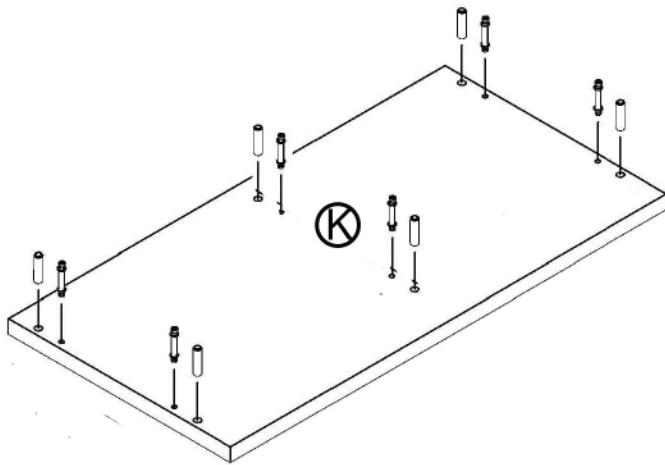


2

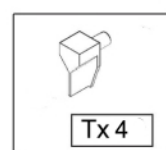
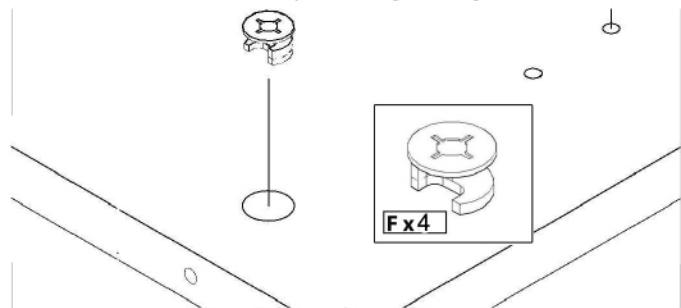
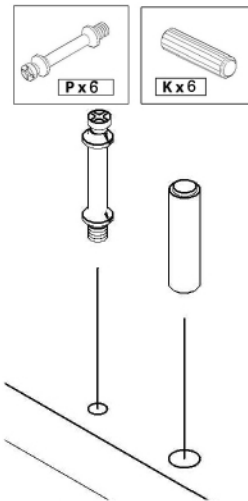
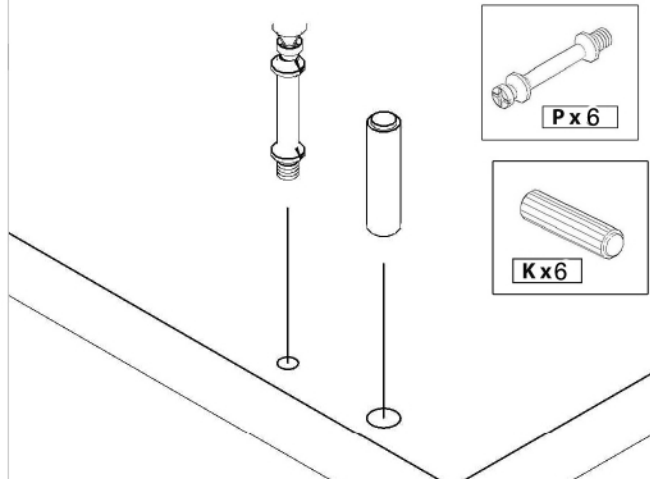
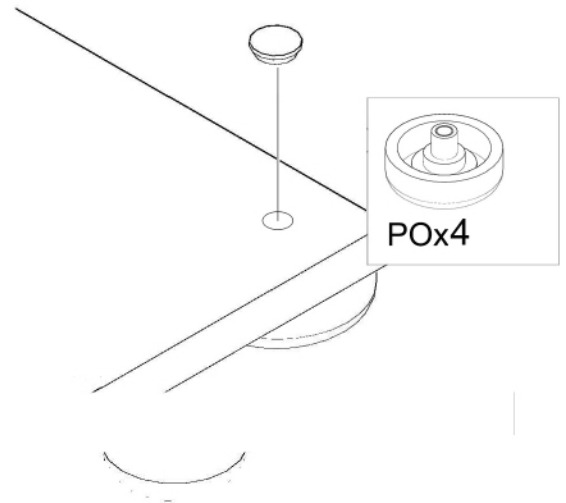
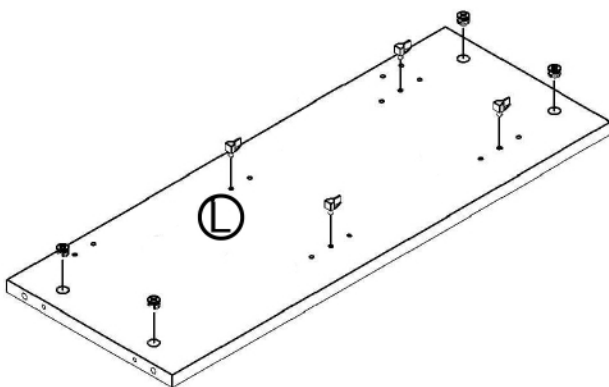
SIDE B



3

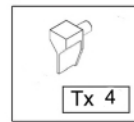
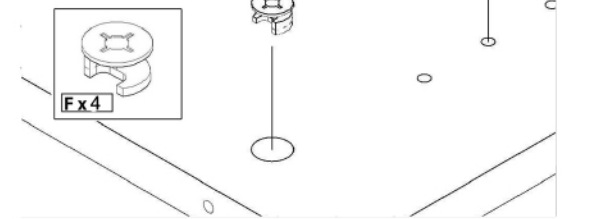
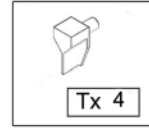
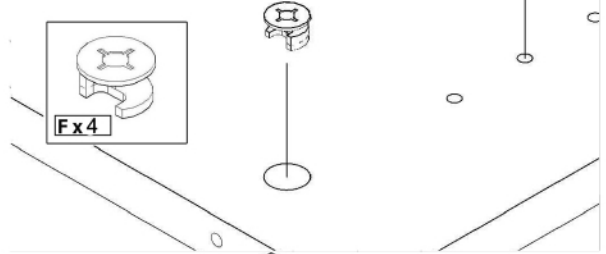
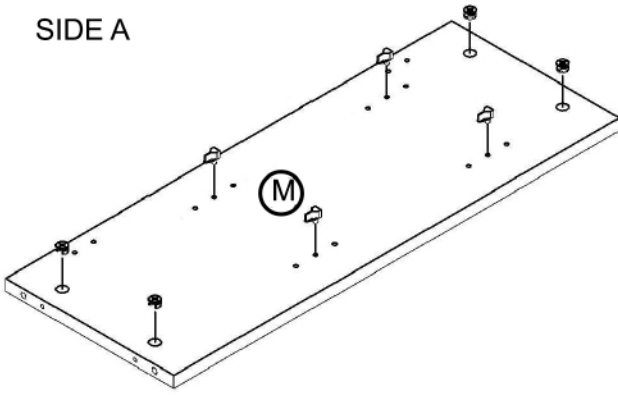


4



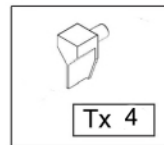
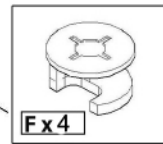
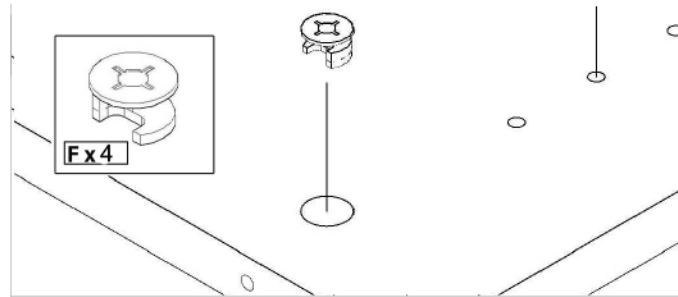
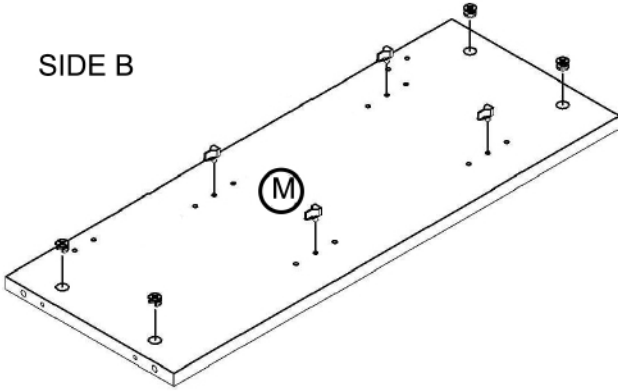
# 5

SIDE A

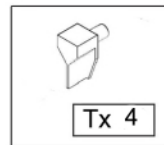
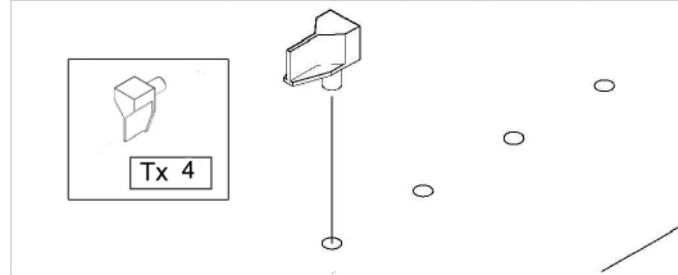
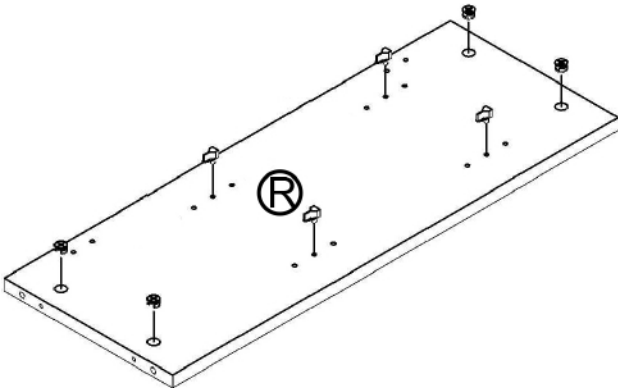


# 6

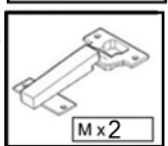
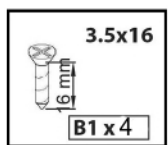
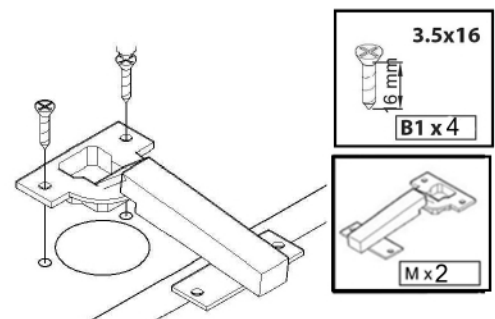
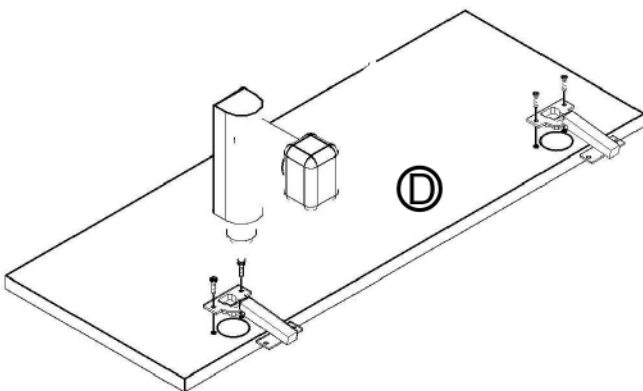
SIDE B



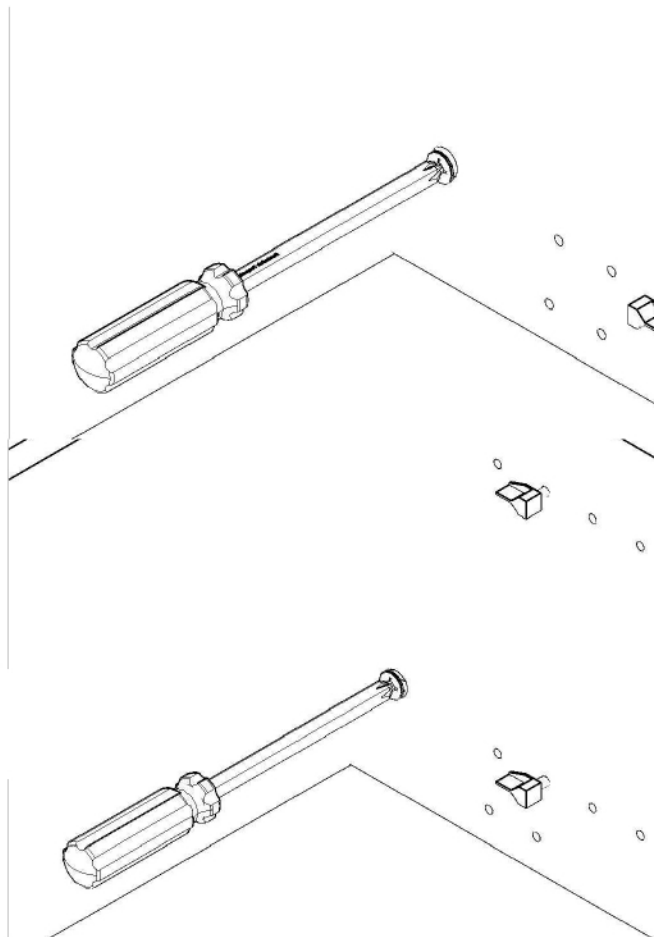
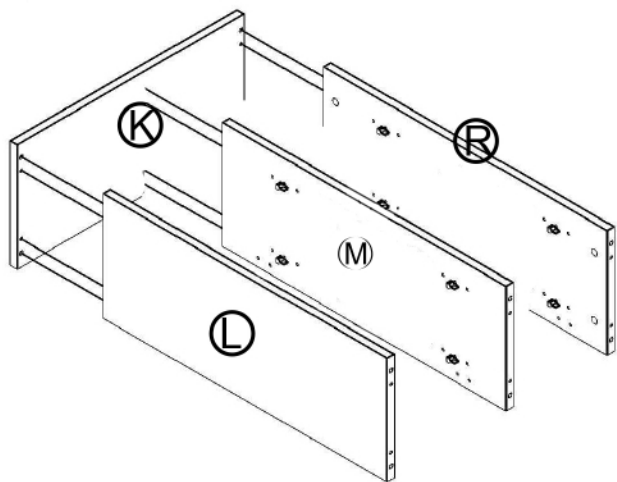
# 7



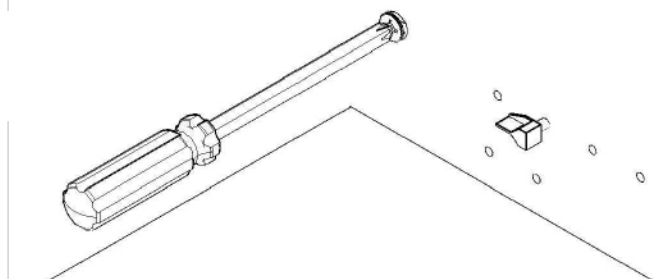
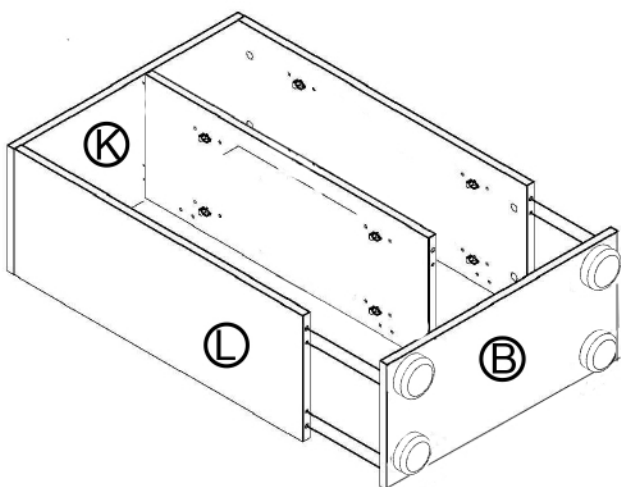
# 8



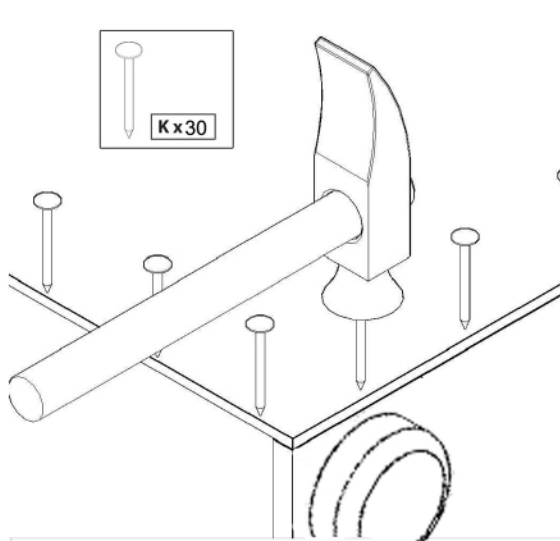
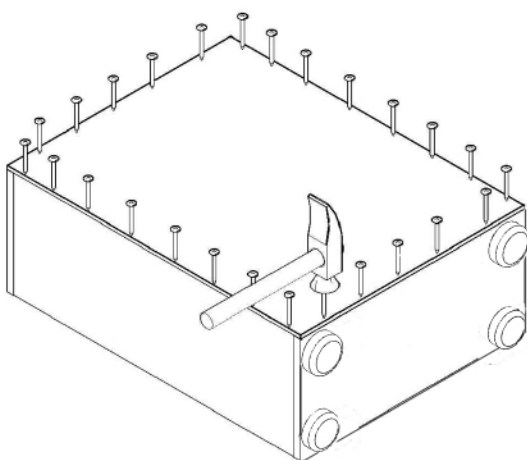
9



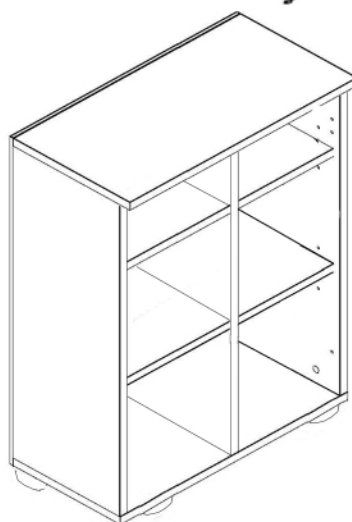
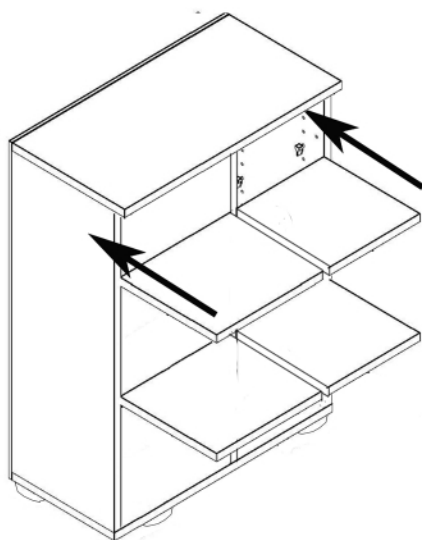
10



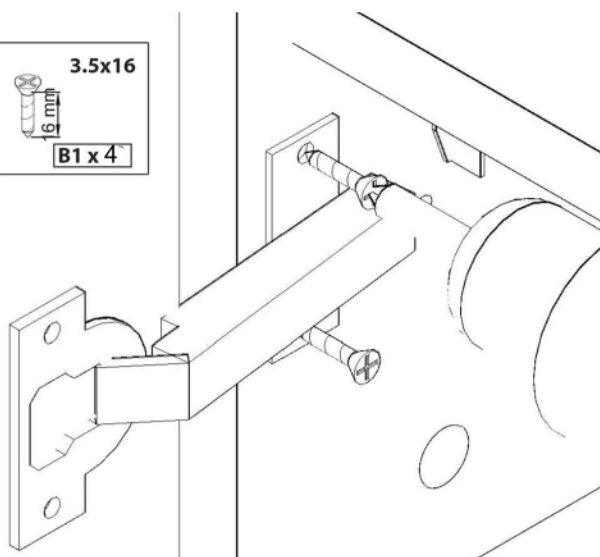
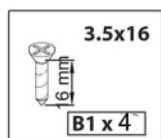
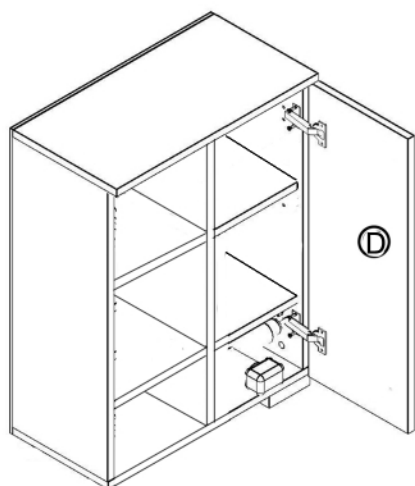
11



12



# 13



# 14

