

SWIVEL CHAIR



ASSEMBLY INSTRUCTION

HALF HOUR
ASSEMBLY TIME

2 PEOPLE
REQUIRED FOR ASSEMBLY

1 X 1 M
FLOOR SPACE REQUIRED

SAFETY PRECAUTIONS




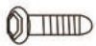





PLEASE READ ALL INSTRUCTIONS CAREFULLY BEFORE ASSEMBLING AND USING THE PRODUCT.

1. Please check all parts are present. You can prepare multi-function rechargeable screwdriver (not included) for Allen head screws to speed up your assembly.
2. For ease and speed of assembly. We recommend that you should identify all parts required for assembly before commencing each step.
3. Please ensure that you have sufficient space and people to assemble your product safely, perfectly on a flat surface.
4. We recommend that all assembled parts should be placed near from the assembly location to avoid loss or forgetting while assembling.
5. For larger items, we recommend that should be assembled where they are expected to be placed to minimize unnecessary movement.
6. It's recommended that the floor should be covered with cardboard or plastic to avoid damage.
7. In each step, do not tighten bolts/screws completely until all bolts/screws are lined up and tightened 80% separately. Do not over tighten bolts/screws to avoid stripping.
8. Do not stand on the product. Do not use the product as a step ladder.
9. This product is intended for indoor, household use, please do not put it outdoors on rainy days.
10. Please feel free to contact us via Ecommerce Platform or Email us if you have any questions during assembly, we will offer you patient guidance at first time.

Attention please!

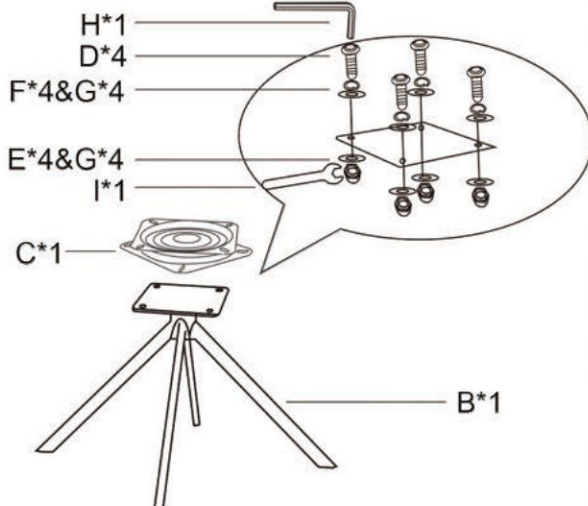
Before assembling, if parts are missing or damaged, we will gladly ship your replacements free of charge. By the way, you can contact us via Ecommerce Platform or Email at any time if you need any assistance with your product.

PARTS AND HARDWARE LIST

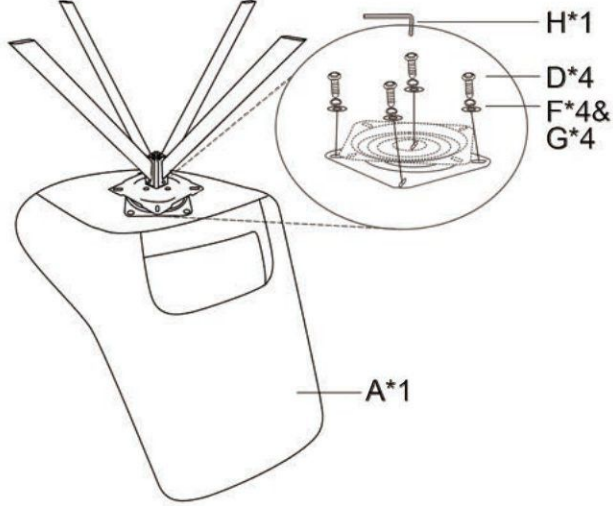
			 M6*16mm	 M6			 S5	 10#
A*1	B*1	C*1	D*8	E*4	F*8	G*12	H*1	I*1

ASSEMBLY STEPS


Assembly tip: Just tighten the screws to 80% before all of them are aligned. After all the screws are aligned, tighten the remaining parts.



STEP 1.
Use a combination of screws (D*4) with (F*4) and (G*4) to connect the turntable (C) to the leg (B). Use the combination of nut (E*4) with (G*4) to connect with screw (D*4) from the bottom and after all are aligned, fix the nut with wrench (I) in order to tighten the screw with wrench (H).



STEP 2.
Attach the seat part (A) to the turntable (C) on the metal base using a combination of screws (D*4) with (F*4) and (G*4) as shown in the figure. After aligning all screws, tighten the screws.



STEP 3.
Congratulations, the installation has been completed perfectly !

WARRANTY TERMS & CONDITIONS

1. We provide warranty for the product one year.
2. The warranty period starts on delivery date.
3. If the product has quality problem, contact us and we promise we will solve it for you.

CORRECT SITTING POSITION

