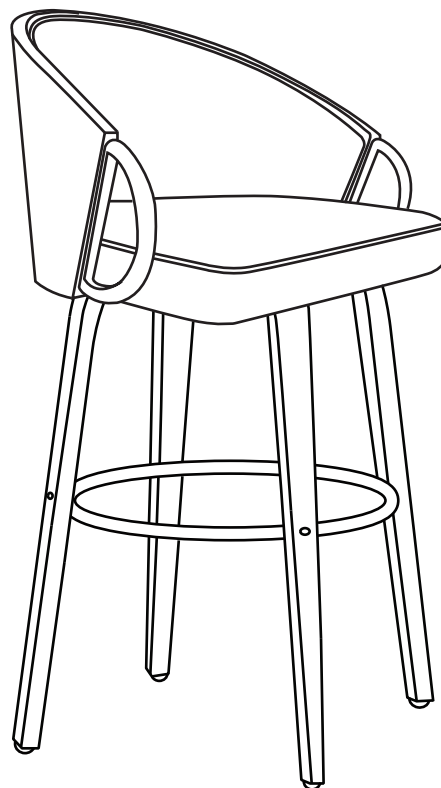
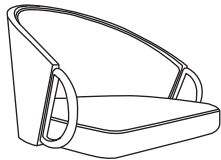
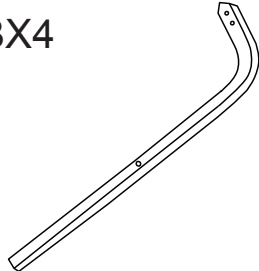
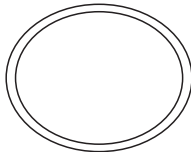
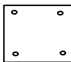
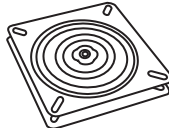
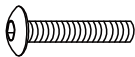
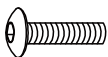



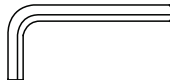
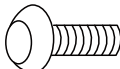


ITEM No:8338B-2

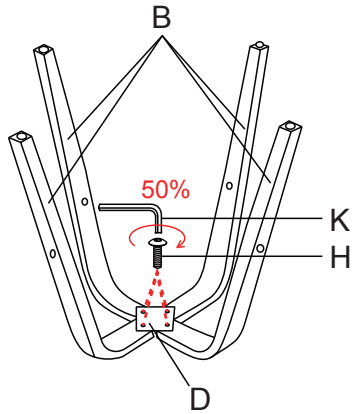


AX1 	BX4 	CX1 	DX1 	EX1 		
FX4+1  M6X30mm	GX2+1  M6X25mm	HX10+1  M6X20mm	IX2  PLASTIC WASHER	JX4+1  PLASTIC CAPS	KX1  M6	LX1  SPARE FOOTNAIL

ASSEMBLY INSTRUCTION

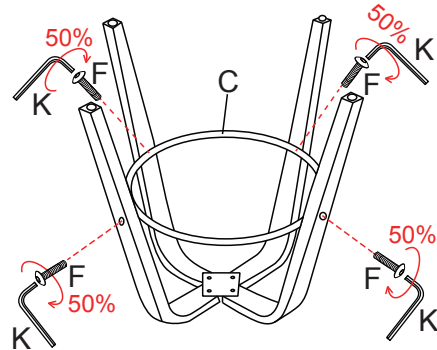
8338B-2

①



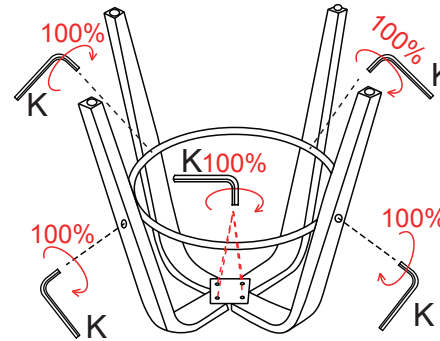
Note: Do NOT tighten the screws(F) in step 1

②



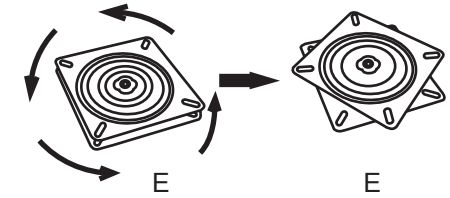
Note: Do NOT tighten the screws(G) in step 2

③



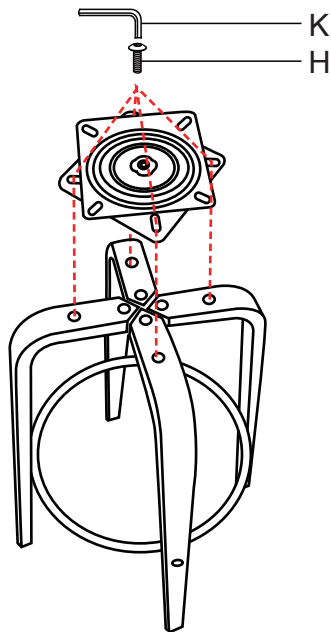
Note: Tighten the screws(F) and screws(G) in step 3

④

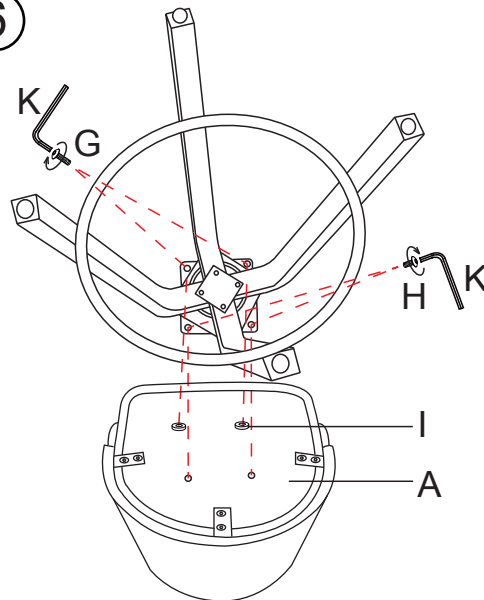


Note: Part E can be swival

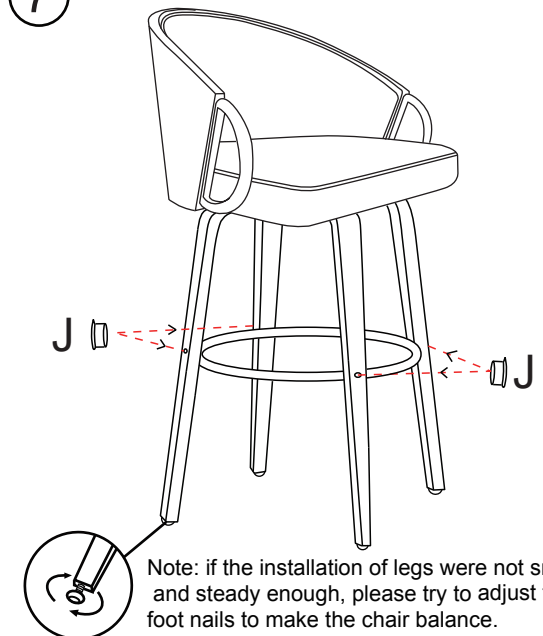
⑤



⑥



⑦



Note: if the installation of legs were not smooth and steady enough, please try to adjust the foot nails to make the chair balance.