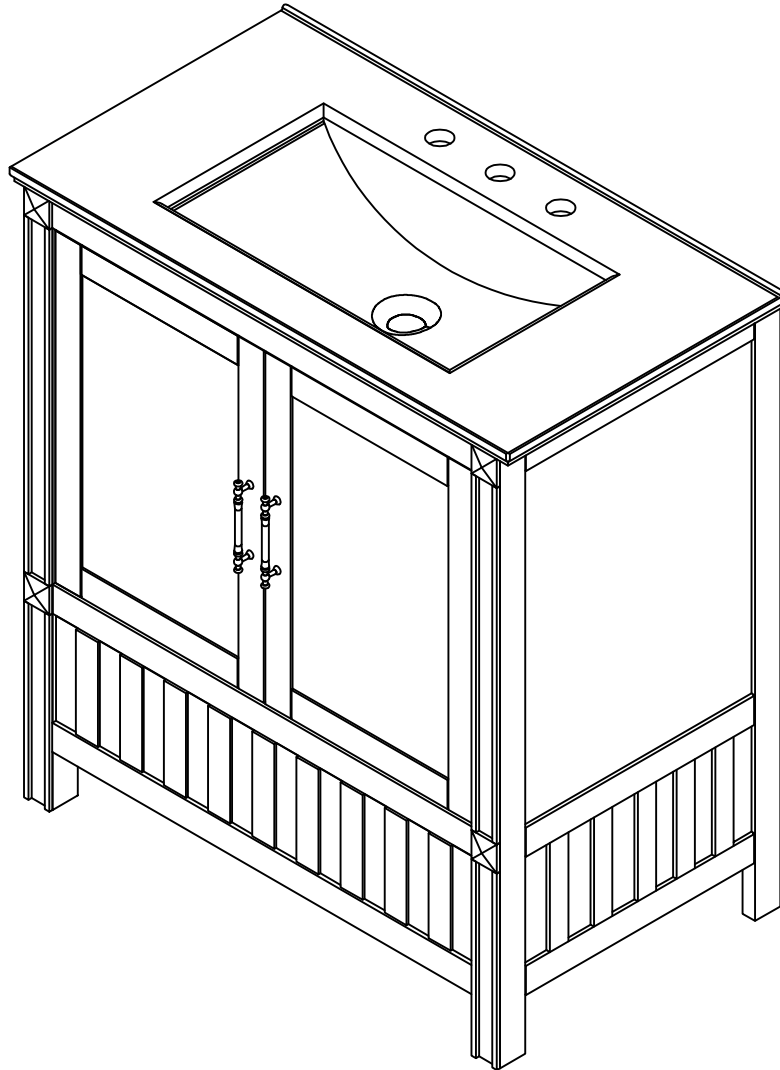


ASSEMBLY INSTRUCTIONS


30 INCH-BATH VANITY-CABINET

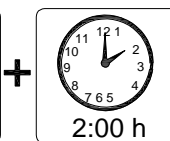
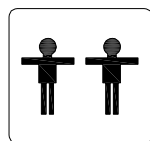
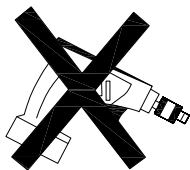


Thank you for purchasing this quality product. Be sure to check all packing material carefully for small parts which may have come loose inside the carton during shipment. Separate, identify and count all parts and hardware.

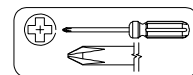
Compare with the parts list to be sure all parts are present.

DO NOT TIGHTEN SCREWS UNTIL COMPLETELY ASSEMBLED

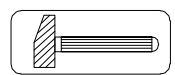

*Use of power tool to assemble this product will invalidate any claim and damage this product making unsafe!!!
* Please assemble on a clean soft surface to avoid damage.



Tools Required



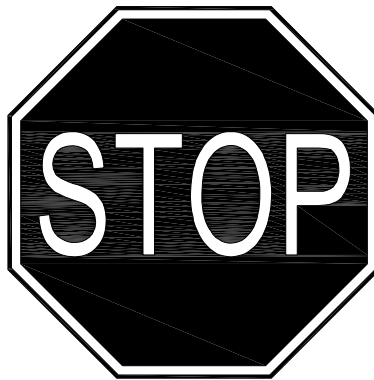
(Not included)



(Not included)

IMPORTANT:
PLEASE READ INSTRUCTION BEFORE STARTING THE ASSEMBLY

PLEASE DO NOT RETURN TO STORE



**Please do not return this product to the retailer!!
We are able to assist you in ANY way**

If you find that you have any trouble with assembly or missing or damaged parts please contact the seller.

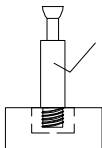
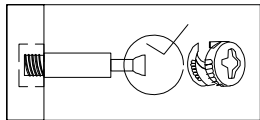
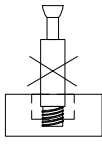
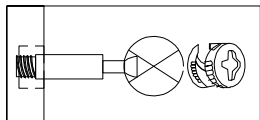
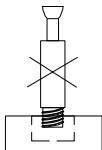
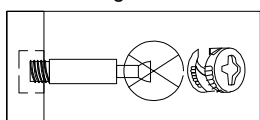
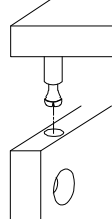

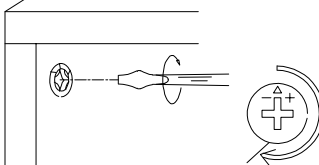
Before Installation

Important- Please read these instructions fully before starting assembly

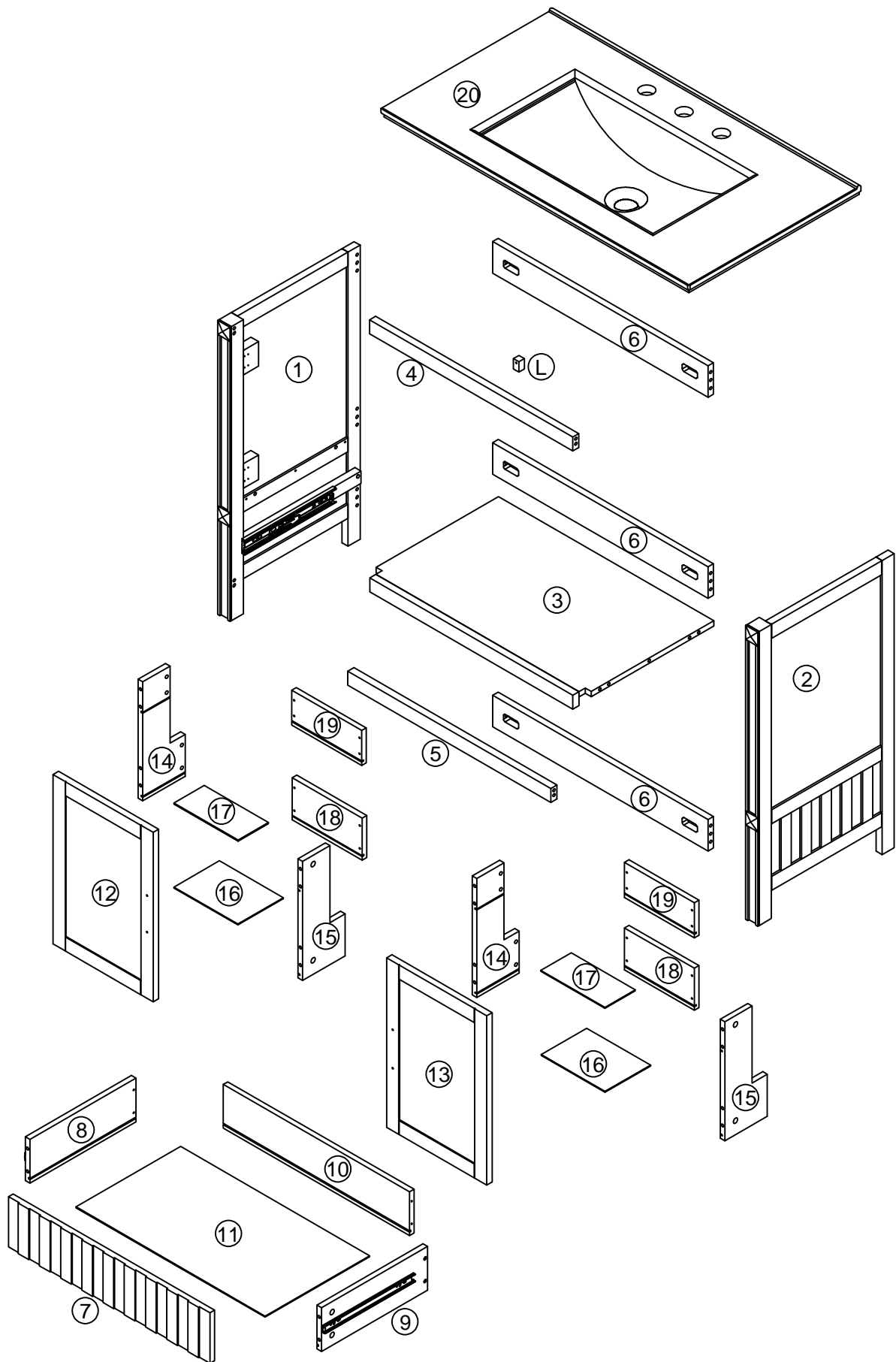
Thank you for purchasing this quality product. Be sure to check all packing materials carefully for small parts, which may have come loose inside the carton during shipment. Identify and count all items according to the PARTS LIST and/or HARDWARE LIST shown below. Check you have all the components and tools listed on the following pages.

- We recommend that you assemble this product with the assistance of another person; this will make the assembly easier, and will help eliminate damage to the product or injury to persons during assembly.
- Please do not over tighten screws or bolts until the assembly is completed.
- Keep children and animal away from the work area, small parts could choke if swallowed.
- Please put all parts on a non-abrasive floor before assembly, and follow the assembly steps to assemble your newly purchased product correctly and efficiently.

Cam Lock Assembly Instructions

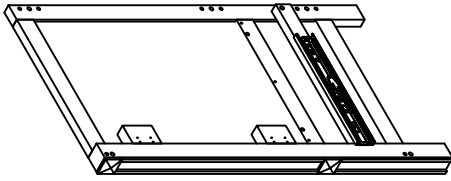
	<p>Diagram A</p> 	<p>Insert Cam Ball into hole as shown in diagram A.</p>
	<p>Diagram B</p> 	<p>Make sure not to insert the Cam Bolt: Too deep as shown in figure B as this will cause the cam Lock to be misaligned and unable to interlock properly.</p>
	<p>Diagram C</p> 	<p>Also avoid inserting the Cam Bolt too close to the surface of the hole as shown in figure C, as this will cause the Cam Lock to be too loose, and not interlock properly.</p>
		<p>Connect the panels together.</p>
	<p>ARROW SIGN</p>	<p>Insert the Cam Lock so the side opening fits over the head of the Cam Bolt.</p>
		<p>To tighten the Cam Lock, turn it clockwise on half a turn with a flat screwdriver. <i>*Do not use an automatic screwdriver as it may bend or break if too much power is imposed.</i></p>

Detail View



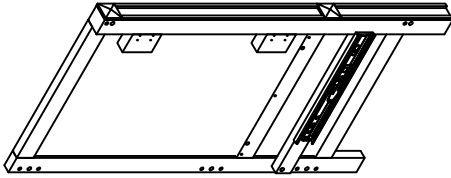
Part Lists

1



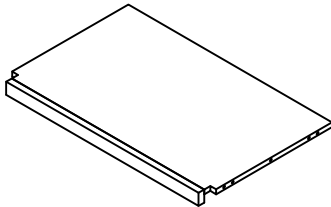
Side Panel (L) - 1pc

2



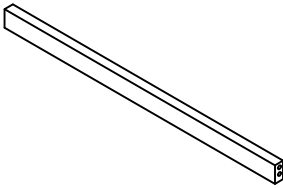
Side Panel (R) - 1pc

3



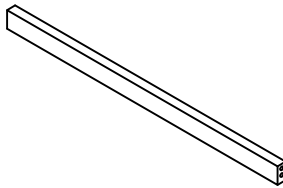
Frame Bottom - 1pc

4



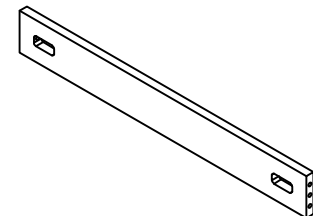
Front Crossbar Top - 1pc

5



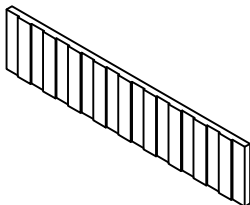
Front Crossbar Bottom - 1pc

6



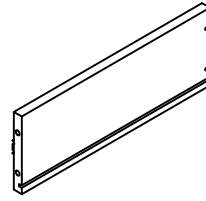
Rear Crossbar - 3pcs

7



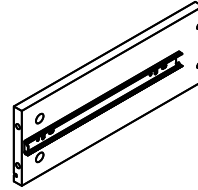
Bottom Drawer Front - 1pc

8



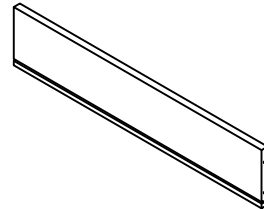
Bottom Drawer Panel Side (L) - 1pc

9



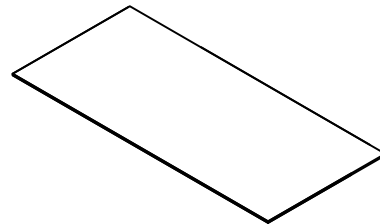
Bottom Drawer Panel Side (R) - 1pc

10



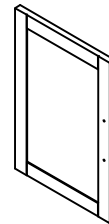
Bottom Drawer Panel Rear - 1pc

11



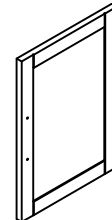
Panel Bottom 1 - 1pc

12



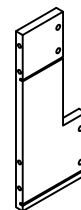
Door Cabinet (L) - 1pc

13



Door Cabinet (L) - 1pc

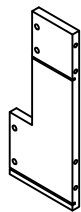
14



Doc Bar (L) - 2pcs

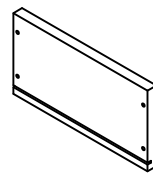
Part Lists

15



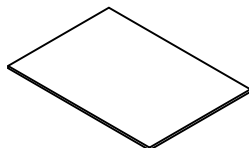
Doc Bar (R) - 2pcs

18



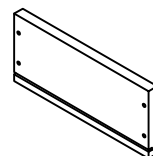
Door Panel Rear 1 - 2pcs

16



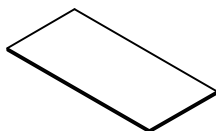
Panel Bottom 2 - 2pcs

19



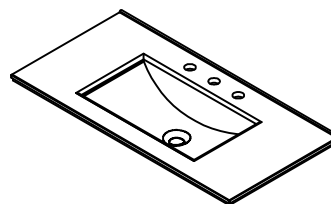
Door Panel Rear 2 - 2pcs

17




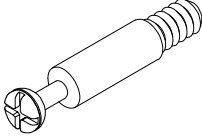


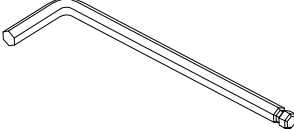
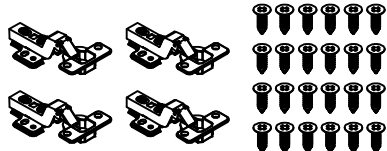
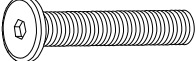
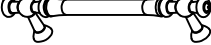


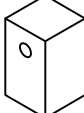
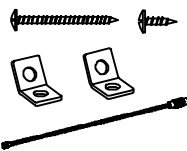
Panel Bottom 3 - 2pcs

20



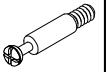
Lavabo - 1pc

Hardware Lists

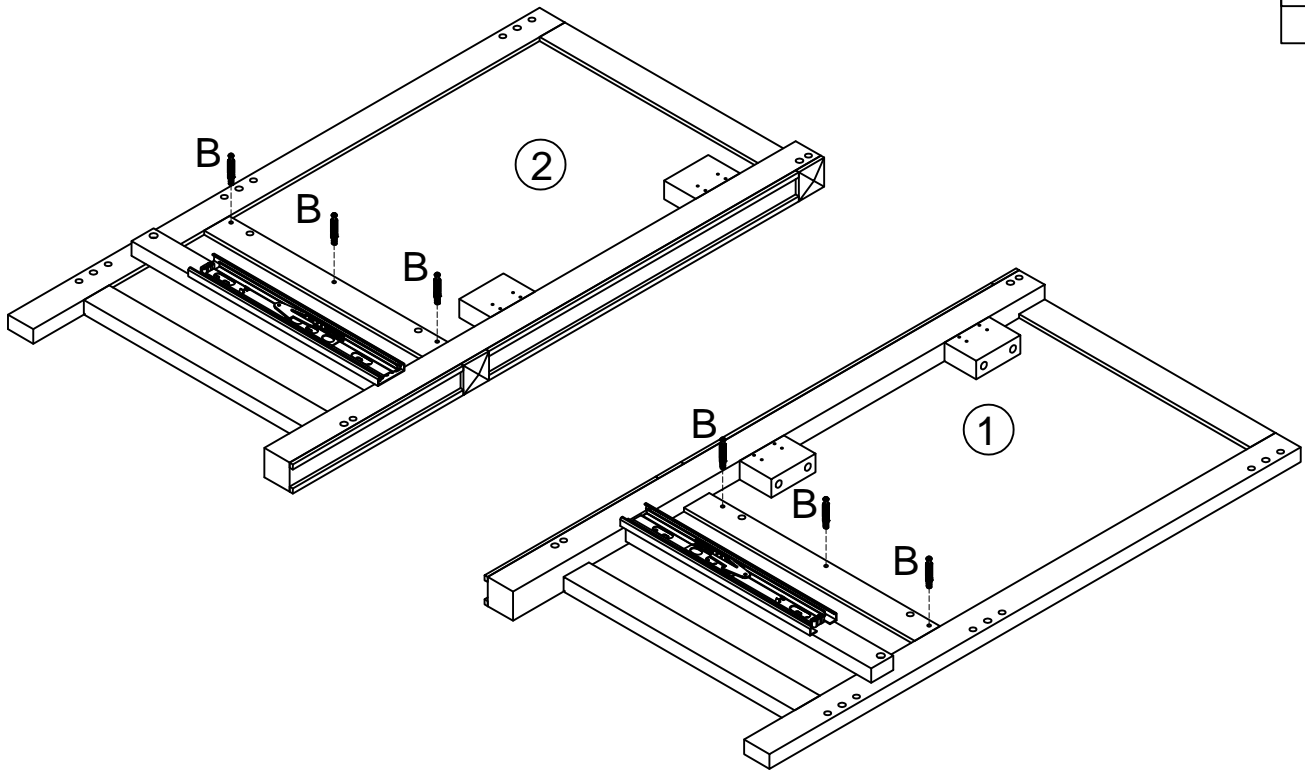
<p>A</p>  <p>Ø8*20mm</p>	<p>B</p>  <p>Ø6*32mm</p>	<p>C</p>  <p>Ø14.5*9.5mm</p>
<p>Wood dowel (28pcs)</p>	<p>Three in one bolts (18pcs)</p>	<p>Three in one locks (18pcs)</p>
<p>D</p>  <p>Ø8xØ4*30mm</p>	<p>E</p>  <p>K4mm</p>	<p>F</p>  <p>4pcs 24pcs</p>
<p>Round head screw (21pcs)</p>	<p>Allen key (1pc)</p>	<p>Damping hinge (4sets)</p>
<p>G</p>  <p>M6 x 45mm</p>	<p>H</p> 	<p>J</p>  <p>M4*20mm</p>
<p>Head bolt (10pcs)</p>	<p>Handle(2pcs)</p>	<p>Handle screw (4pcs)</p>
<p>K</p>  <p>Ø10x10mm</p>	<p>L</p> 	<p>M</p> 
<p>Plastic Canopy (20pcs)</p>	<p>Support piece (1pc)</p>	<p>Anti fall Hardware (2sets)</p>

STEP: 1

B



6PCS

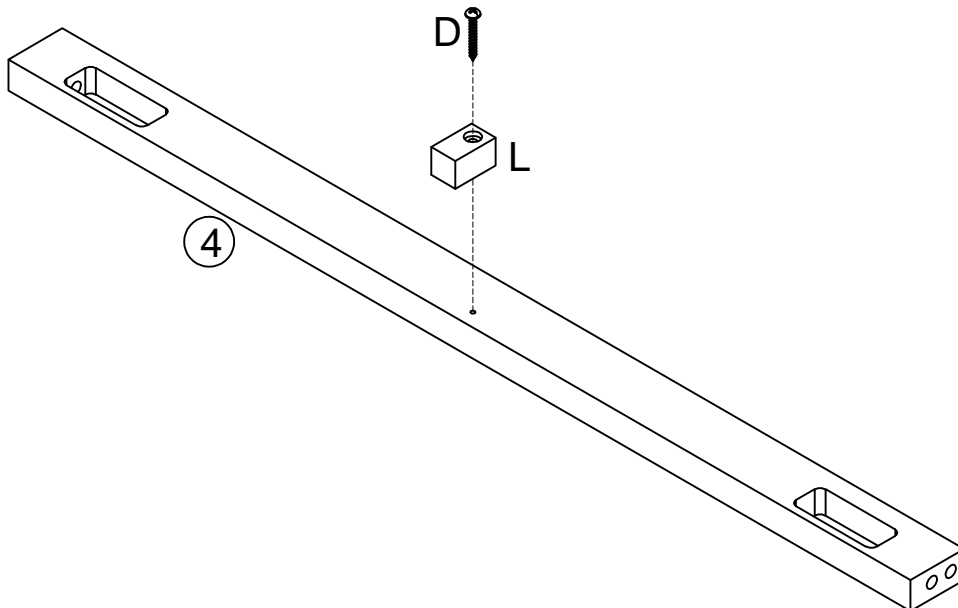


STEP: 2

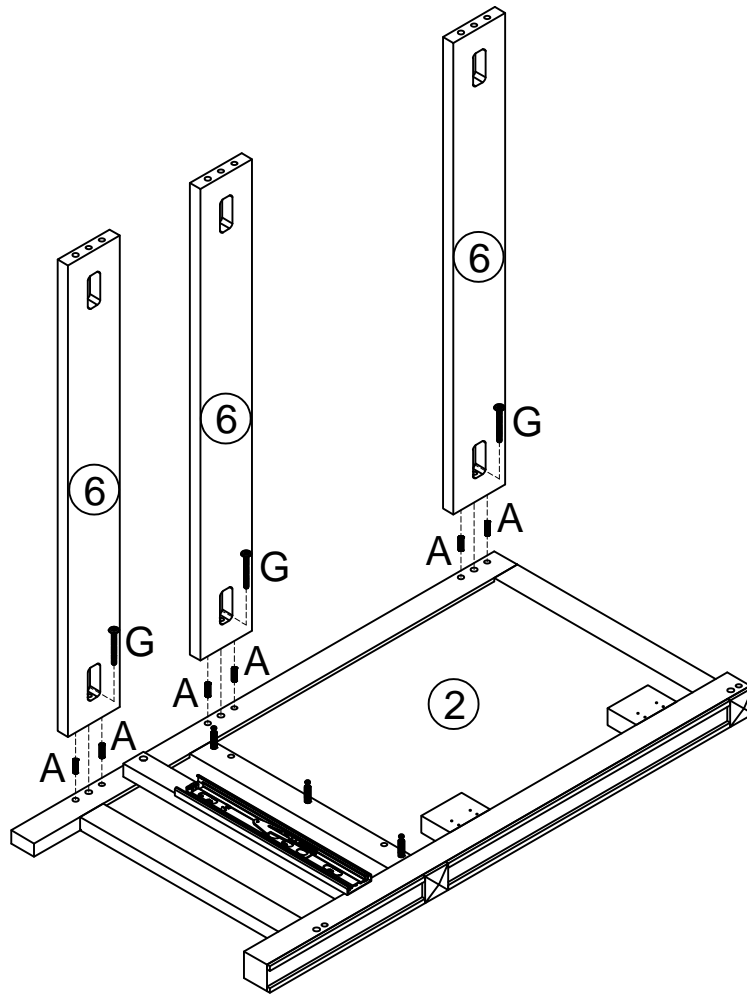
D



1PC



STEP: 3

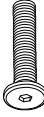


A



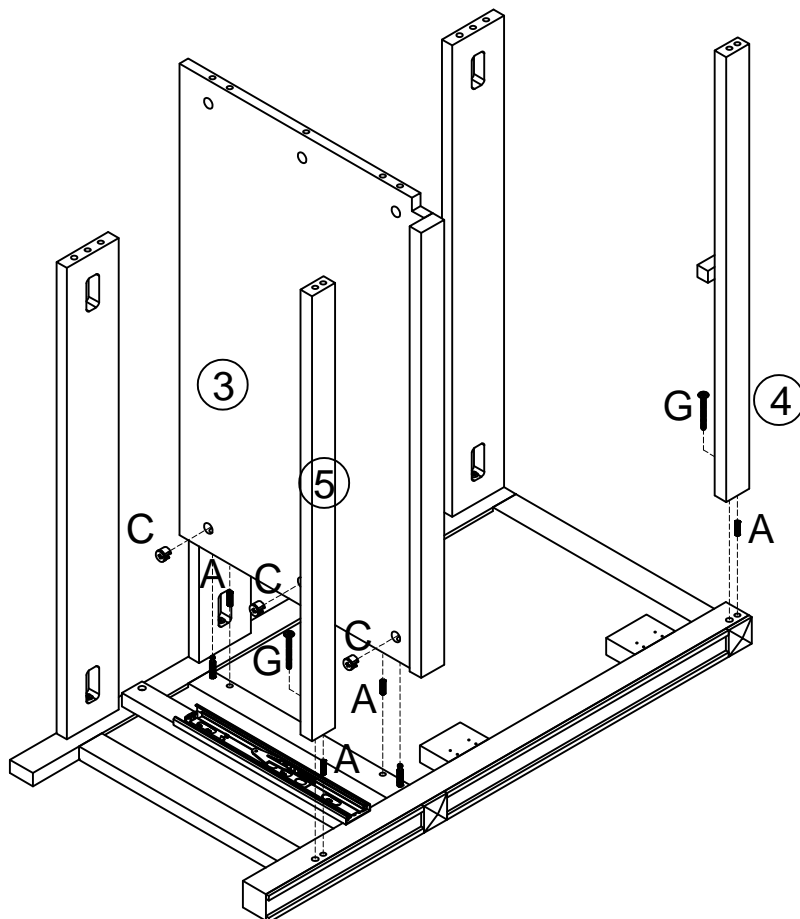
6PCS

G



3PCS

STEP: 4



A



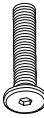
4PCS

C



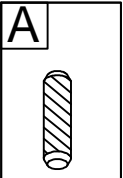
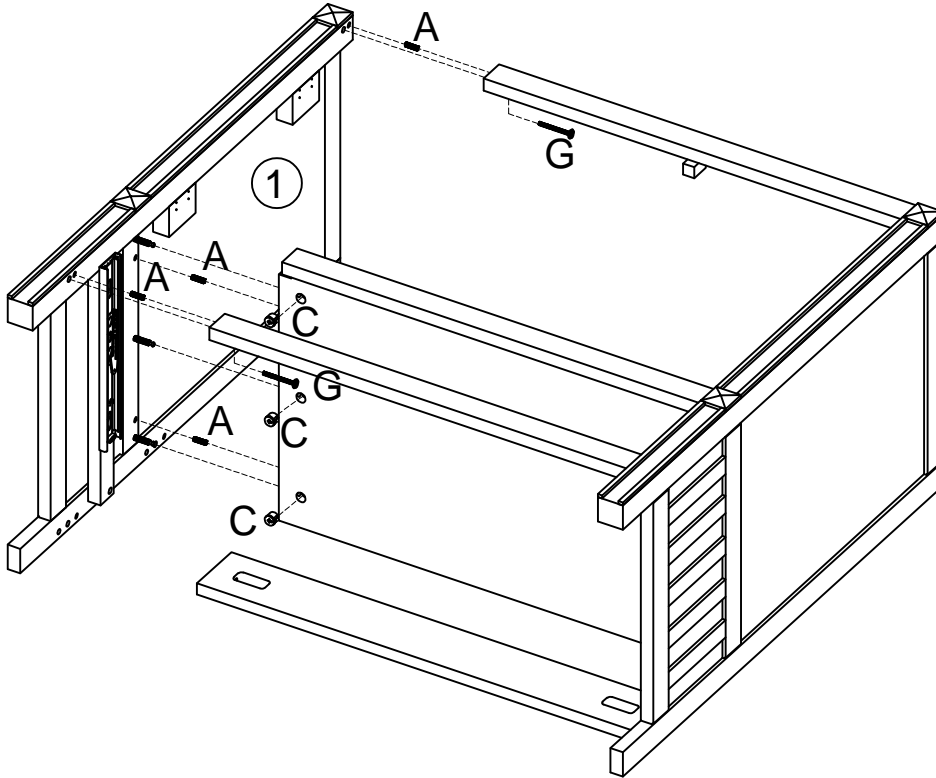
3PCS

G

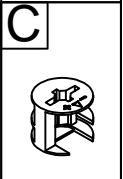


2PCS

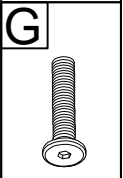
STEP: 5



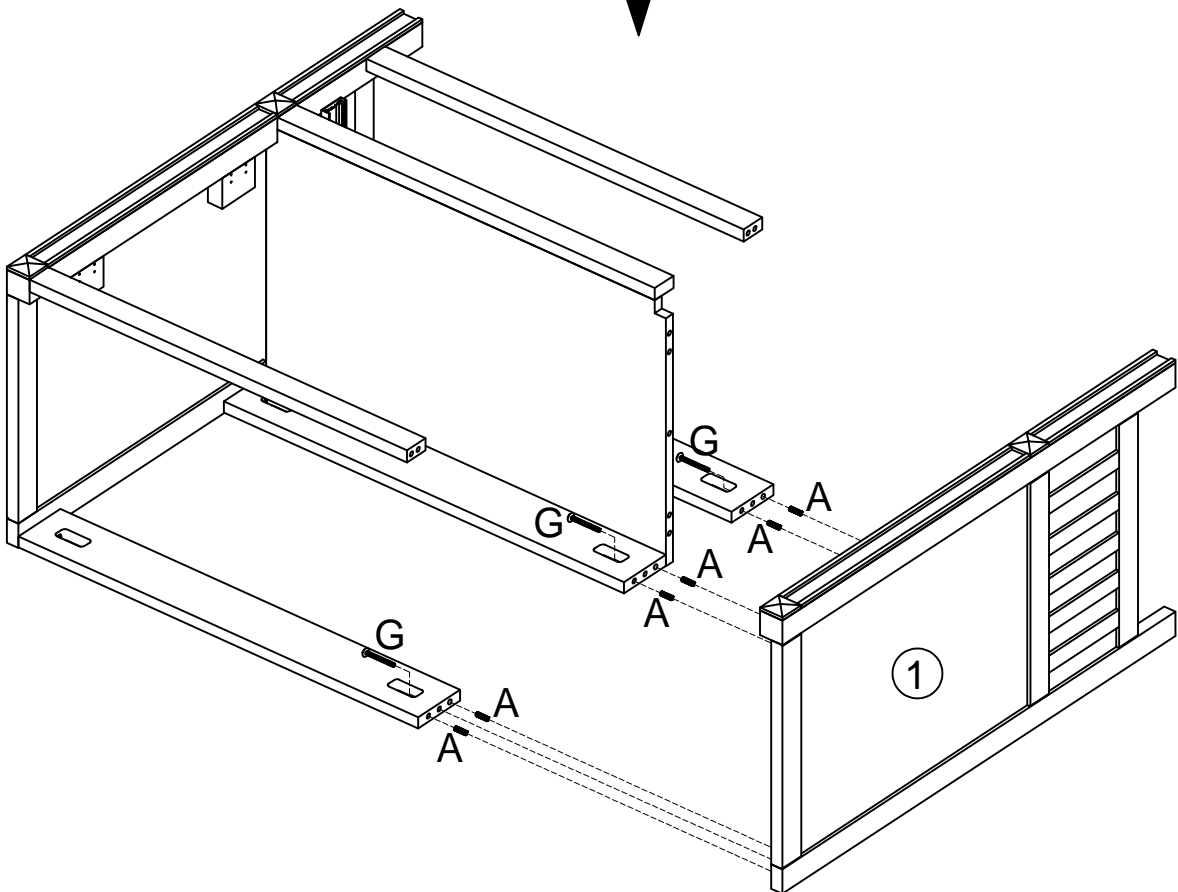
10PCS



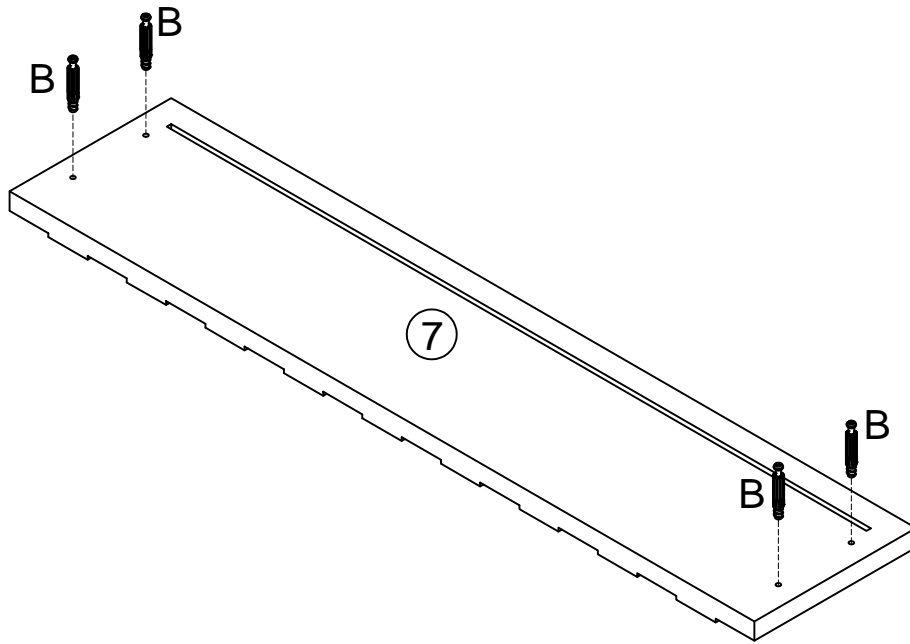
3PCS



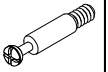
5PCS



STEP: 6

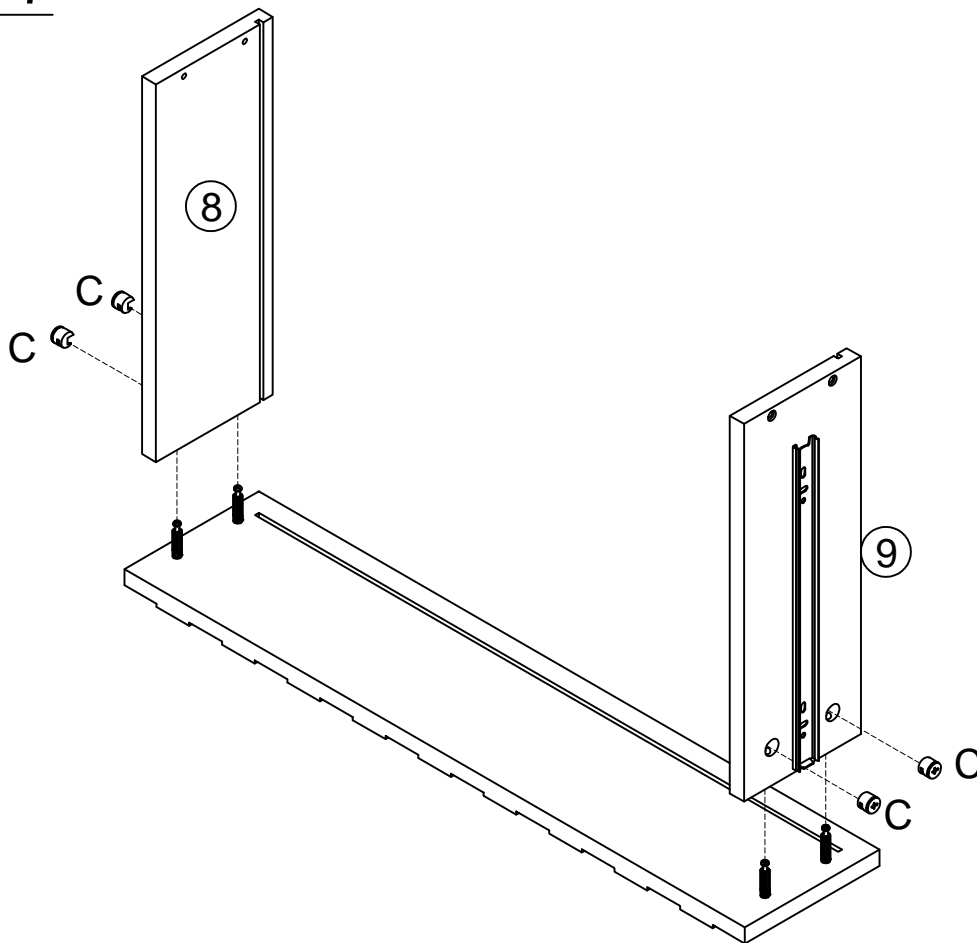


B



4PCS

STEP: 7

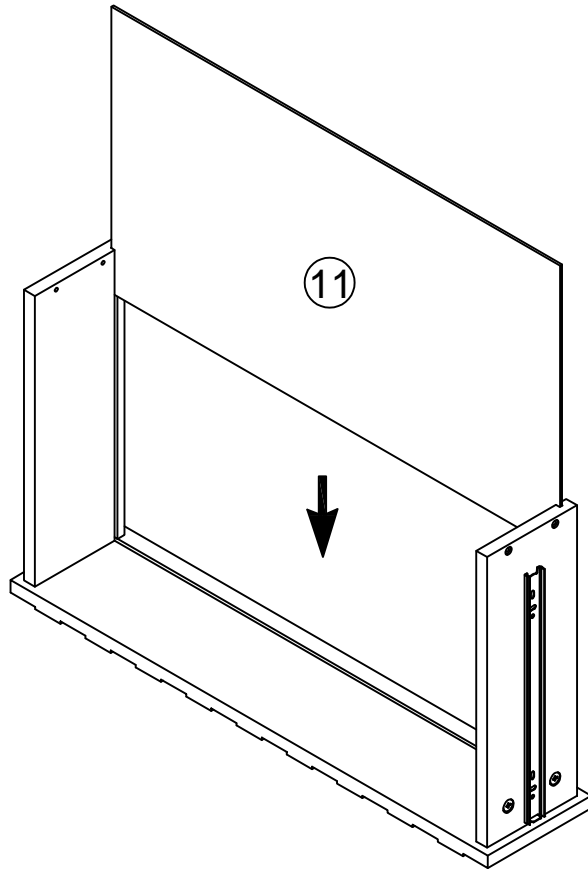


C

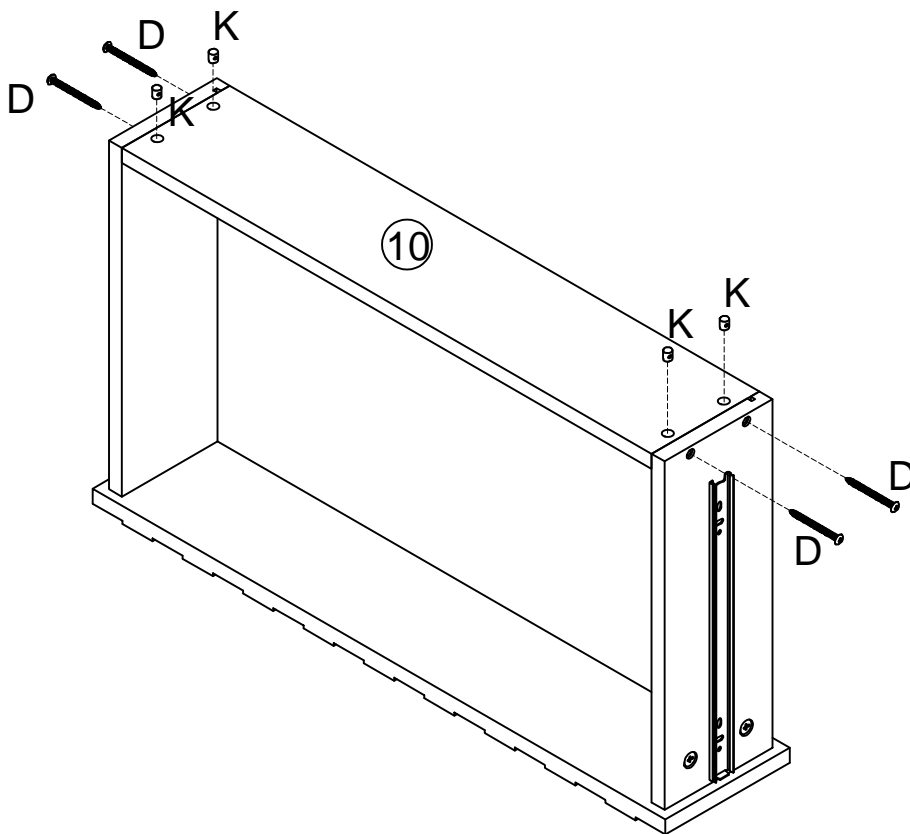




4PCS

STEP: 8



STEP: 9

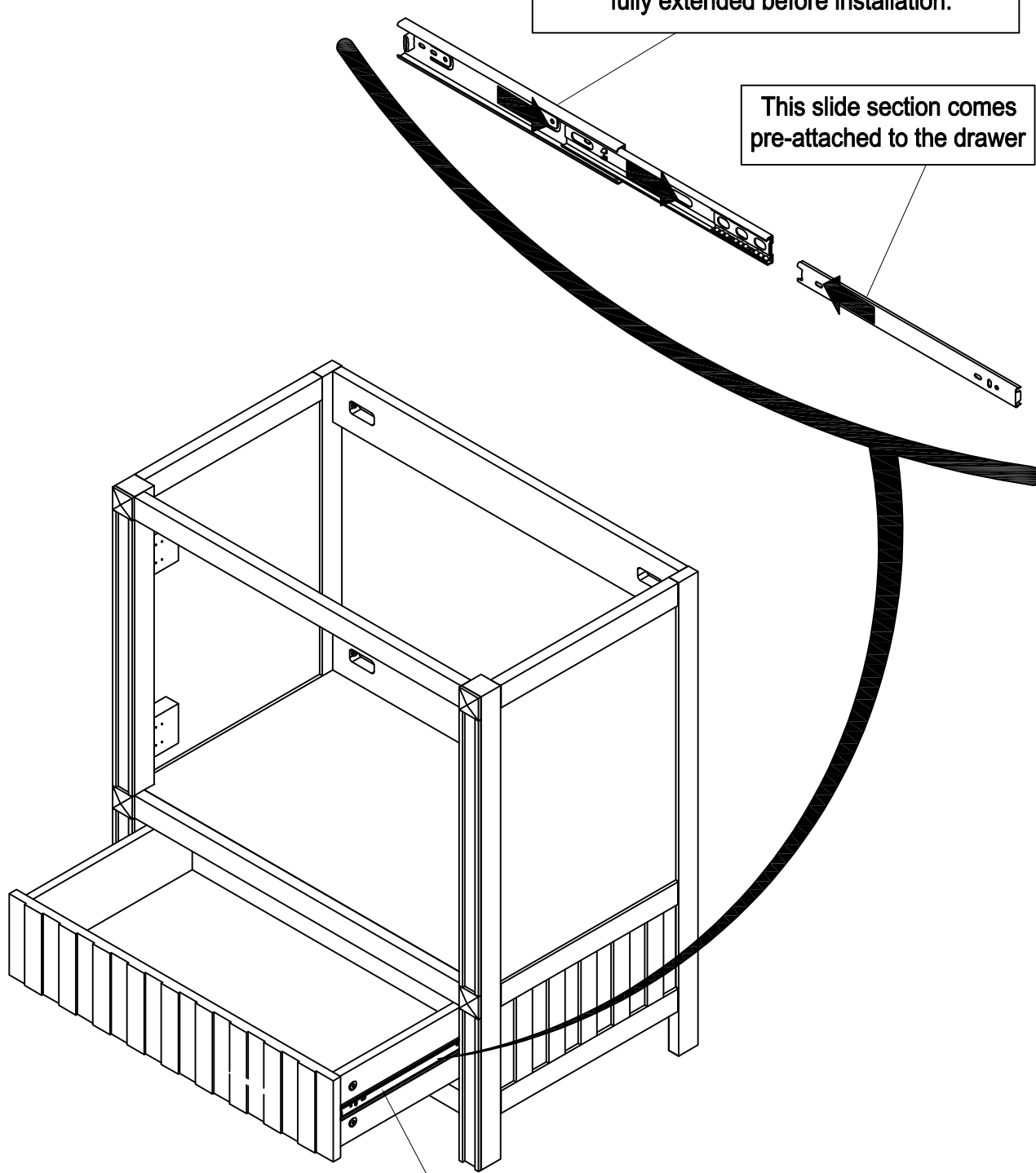


D	
4PCS	
K	
4PCS	

STEP: 10

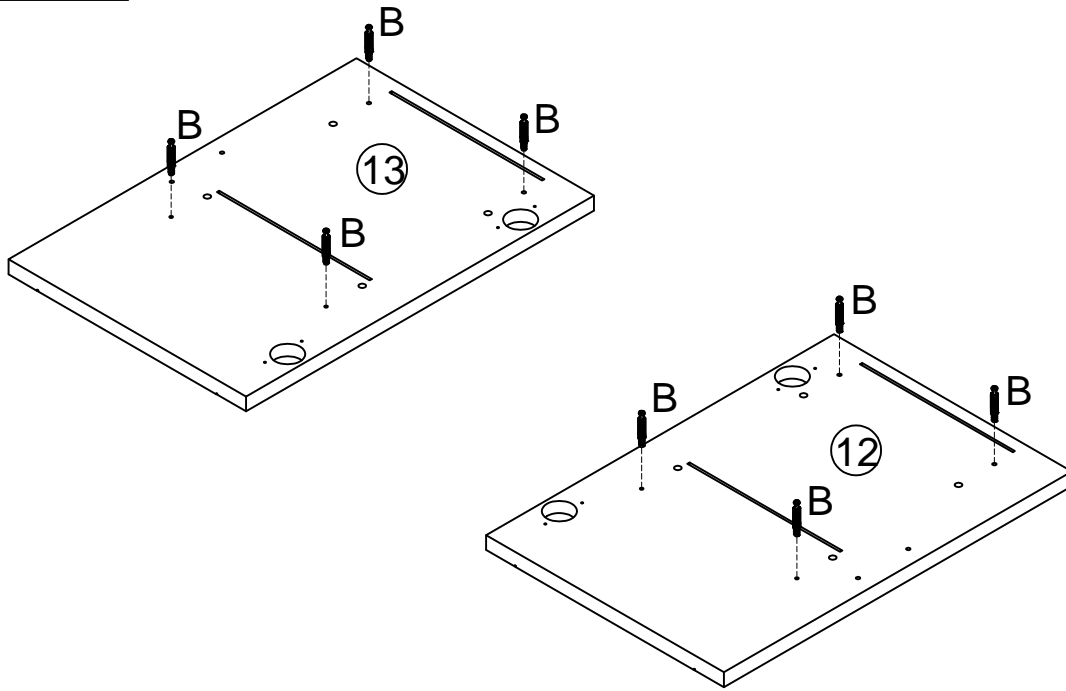
Slides inside the unit must be fully extended before installation.


This slide section comes pre-attached to the drawer



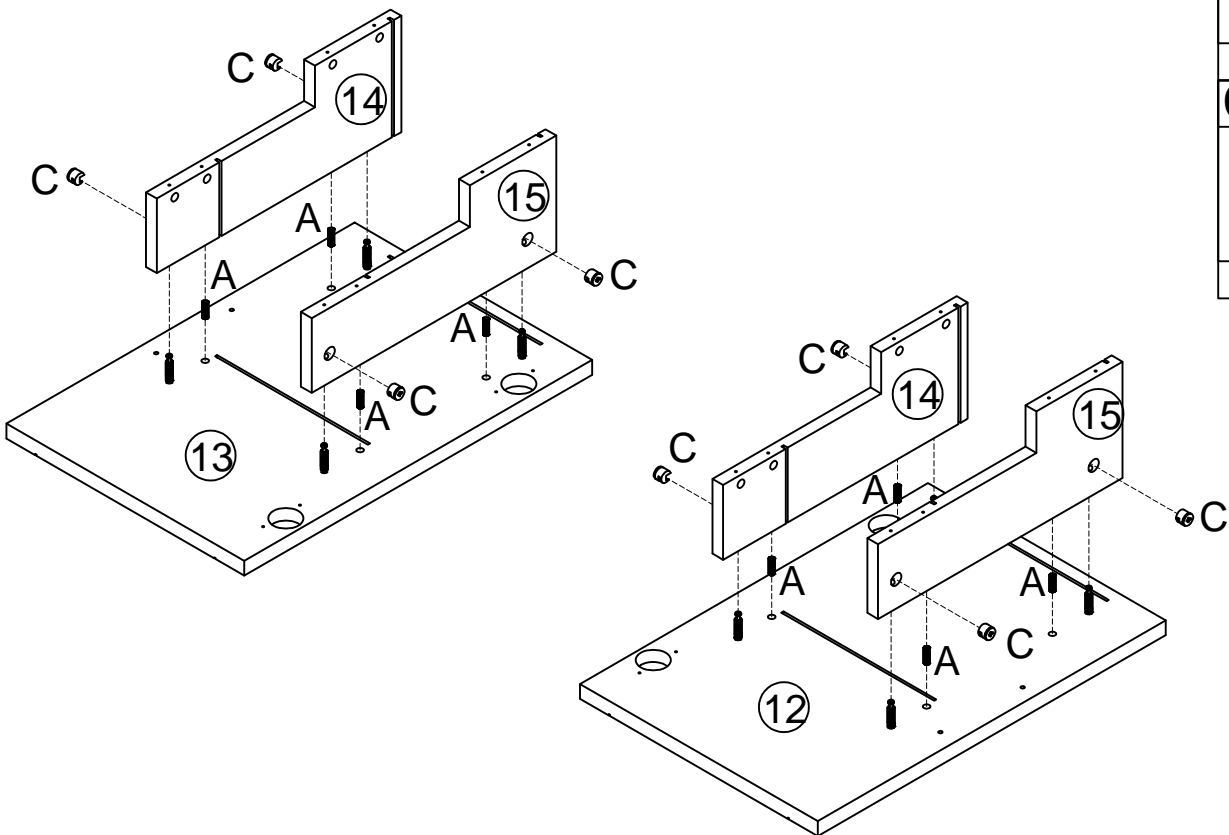
Slide the drawer back and forth a few times to set it properly.



STEP: 11



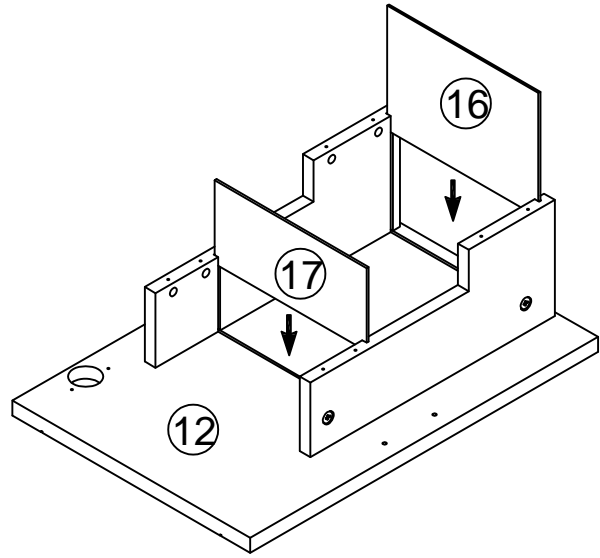
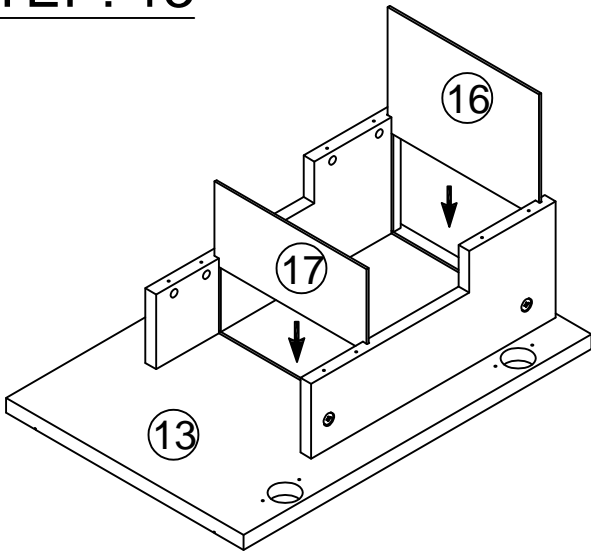
B

8PCS

STEP: 12

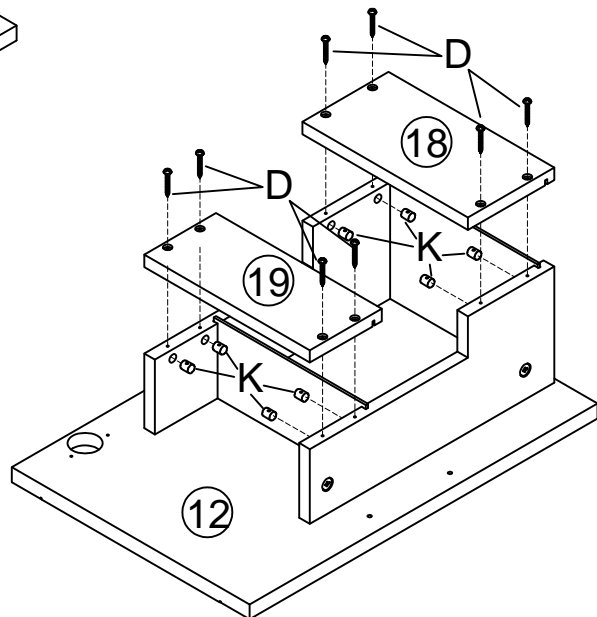
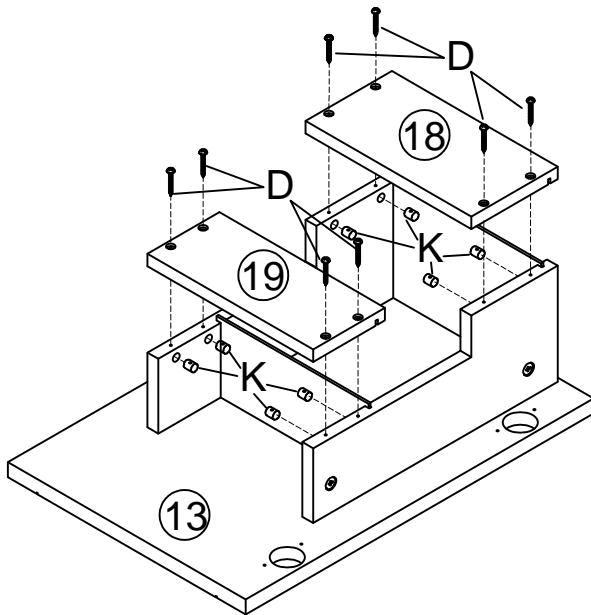




A

8PCS
C

8PCS

STEP: 13

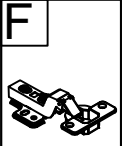
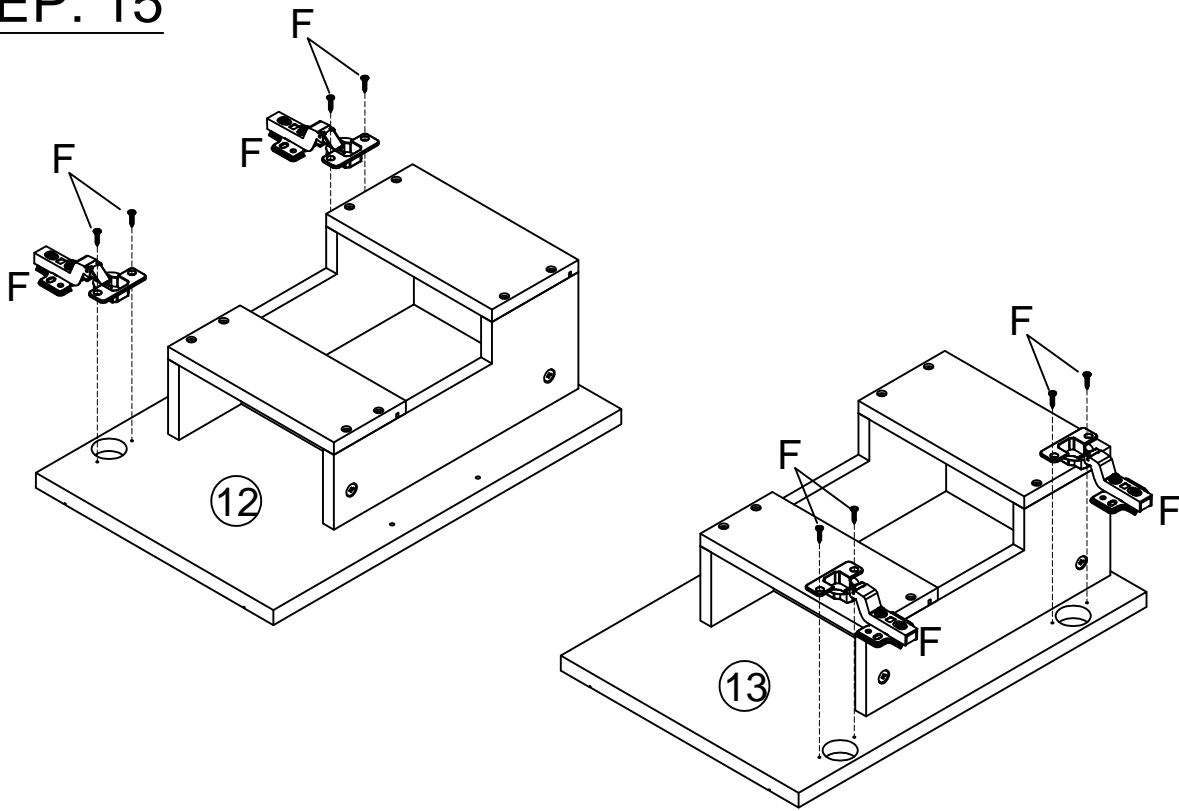


STEP: 14

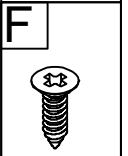


D

16PCS
K

16PCS

STEP: 15

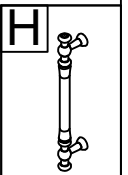
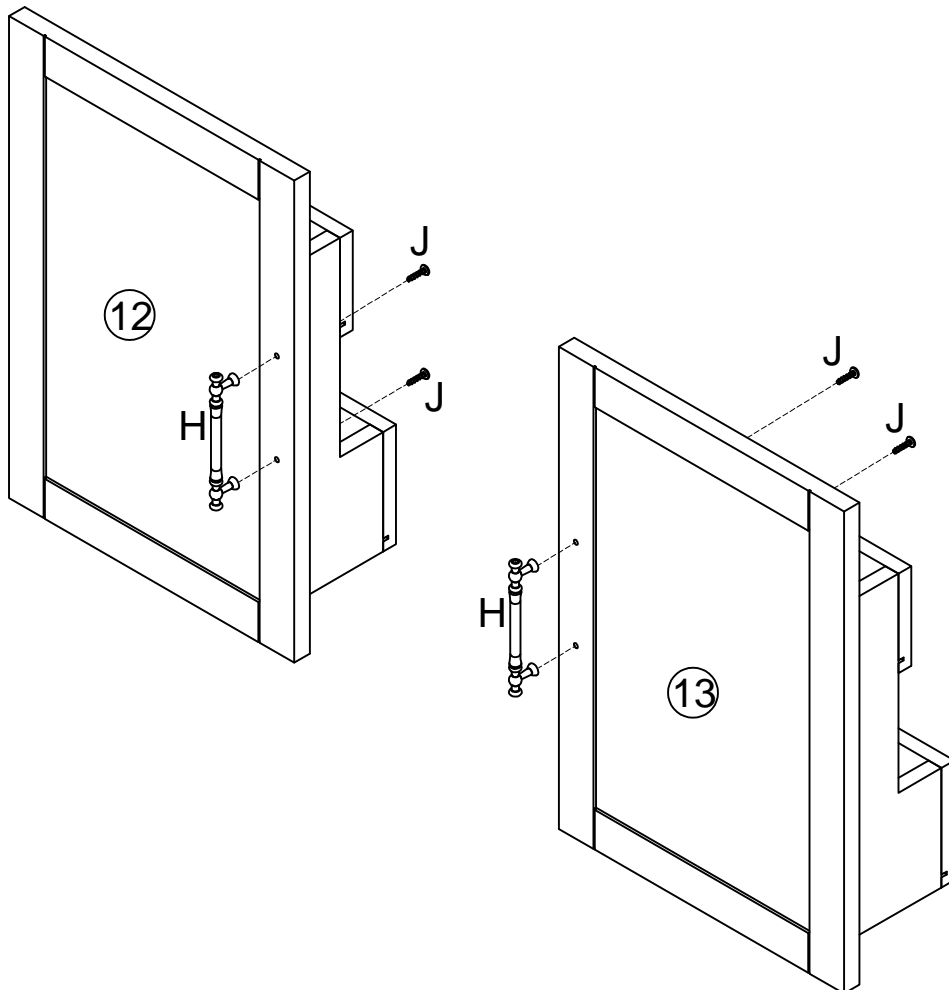


4PCS

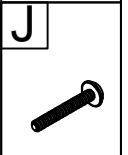


8PCS

STEP: 16



2PCS



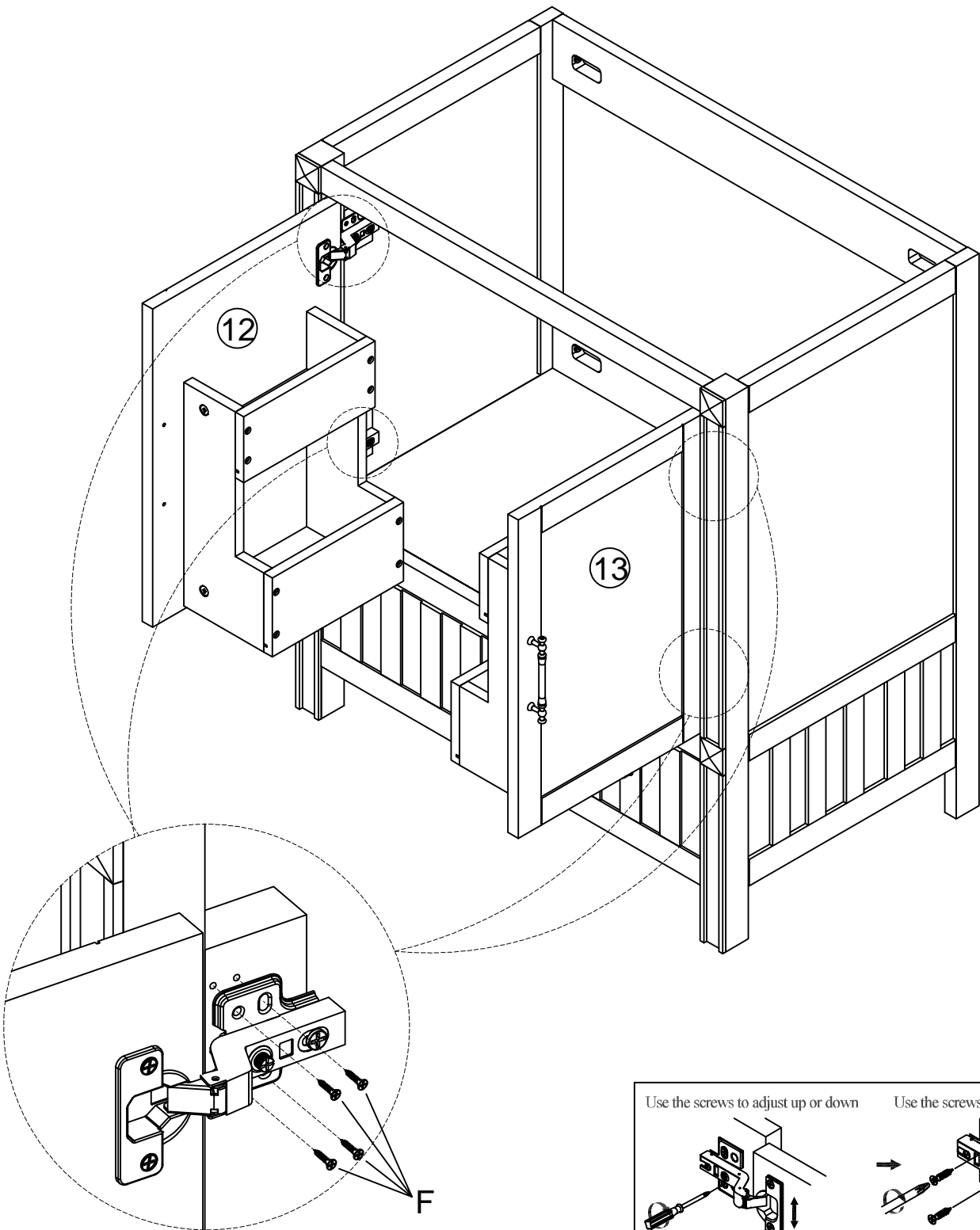
4PCS

STEP: 17

F

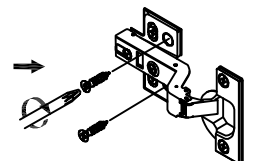
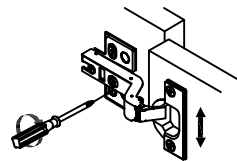


16PCS



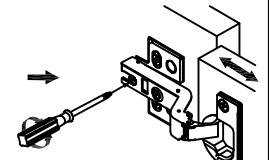
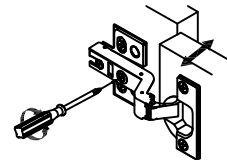
Use the screws to adjust up or down

Use the screws to permanent



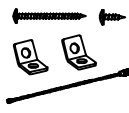
Use the screws to adjust left or right

Use the screws to adjust in or out

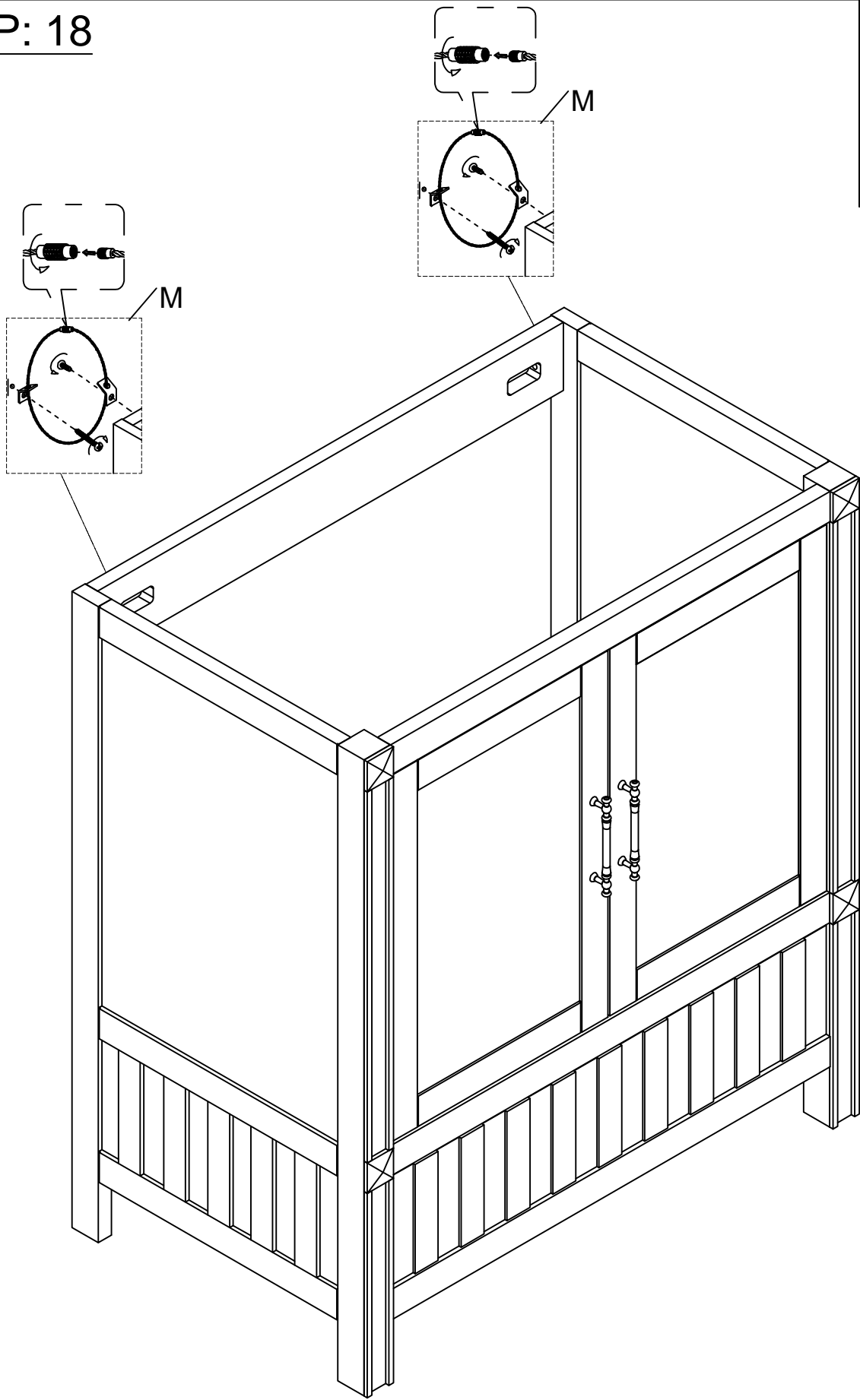


STEP: 18

M

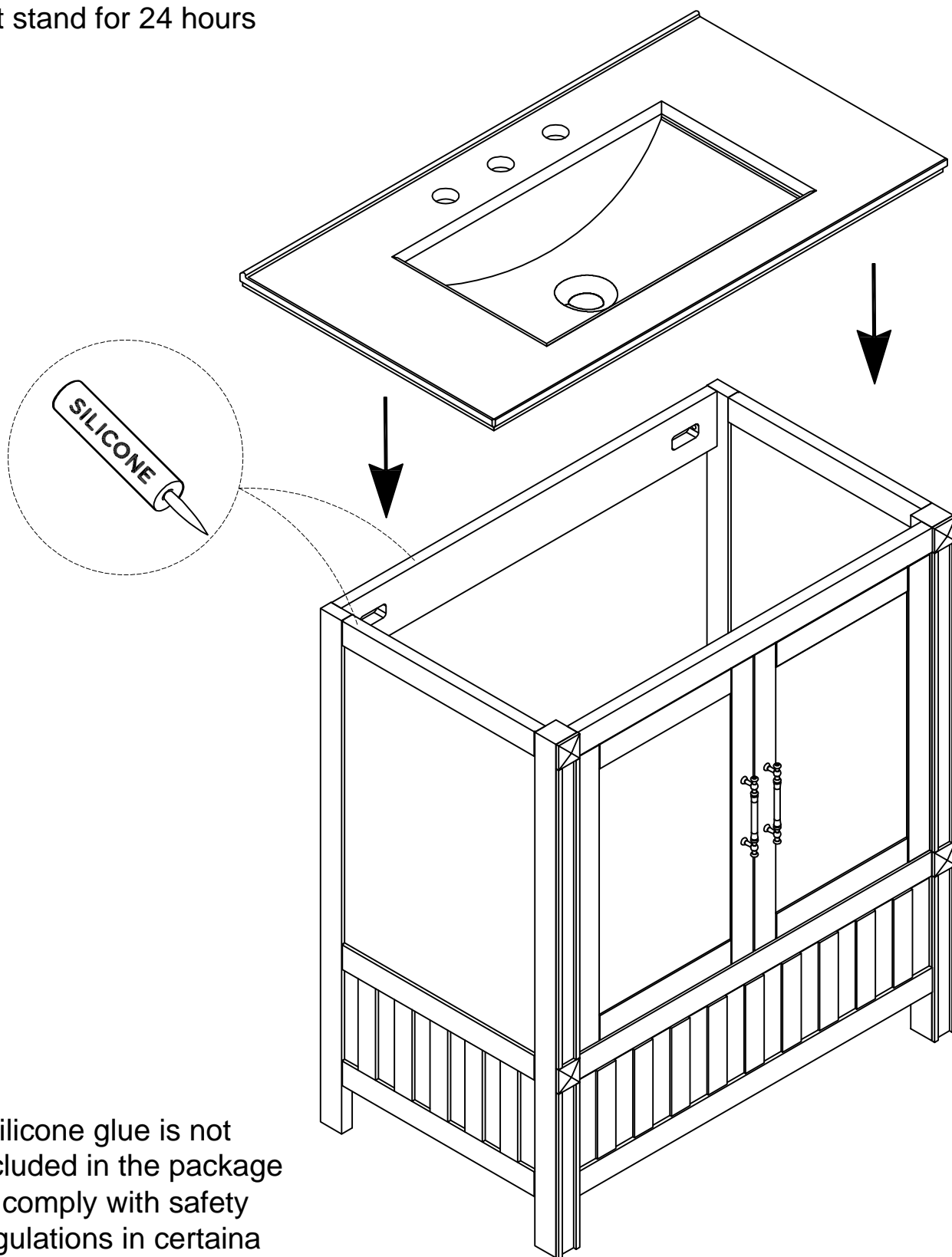


2SET



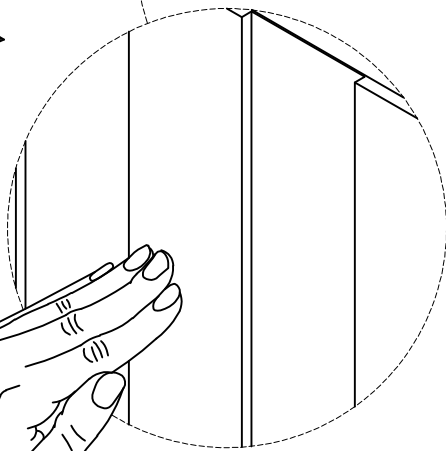
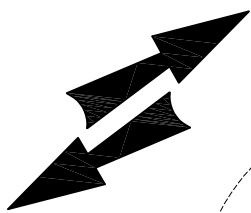
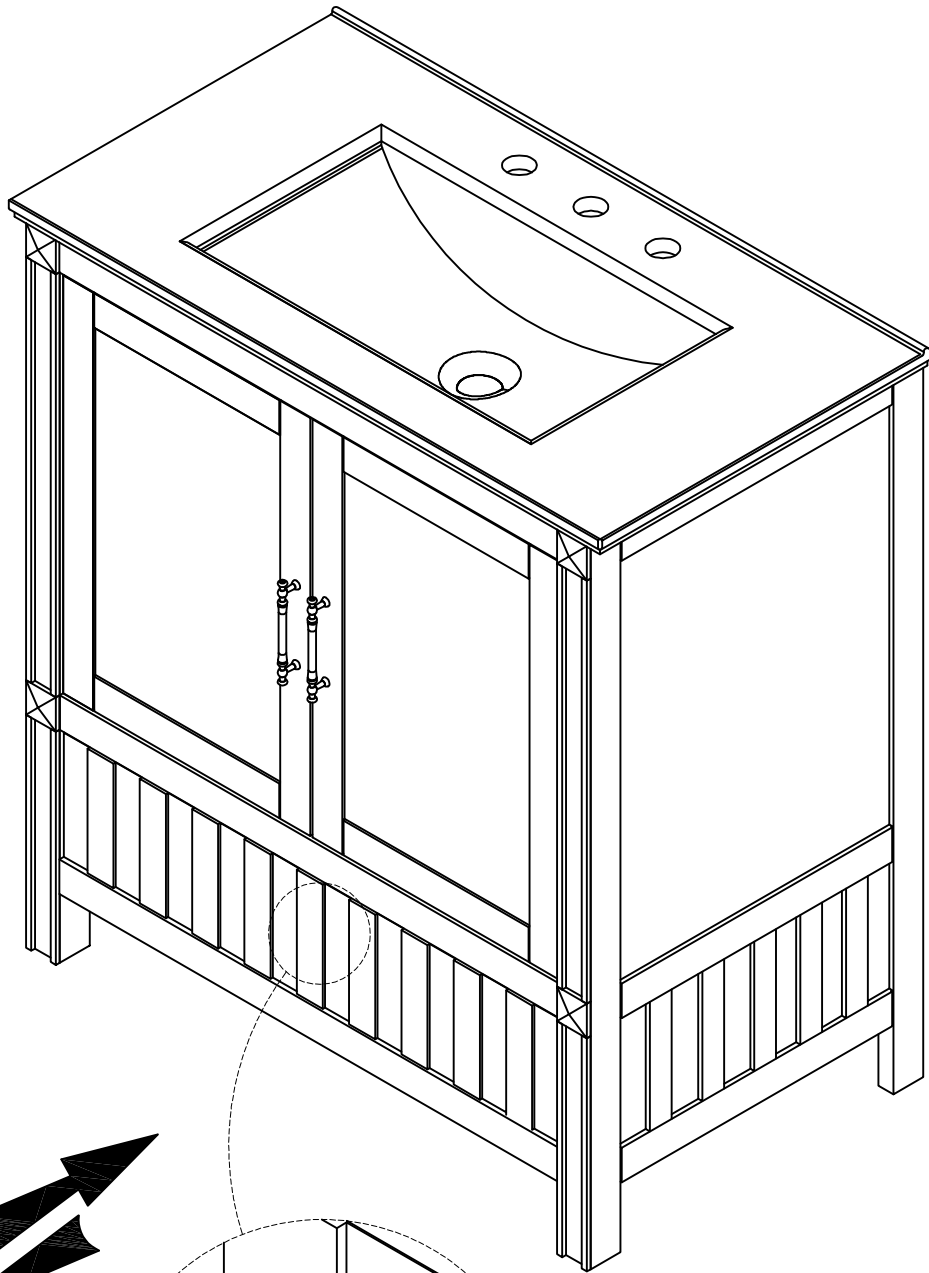
STEP: 19

Install the sink on the cabinet with glue.
Let stand for 24 hours



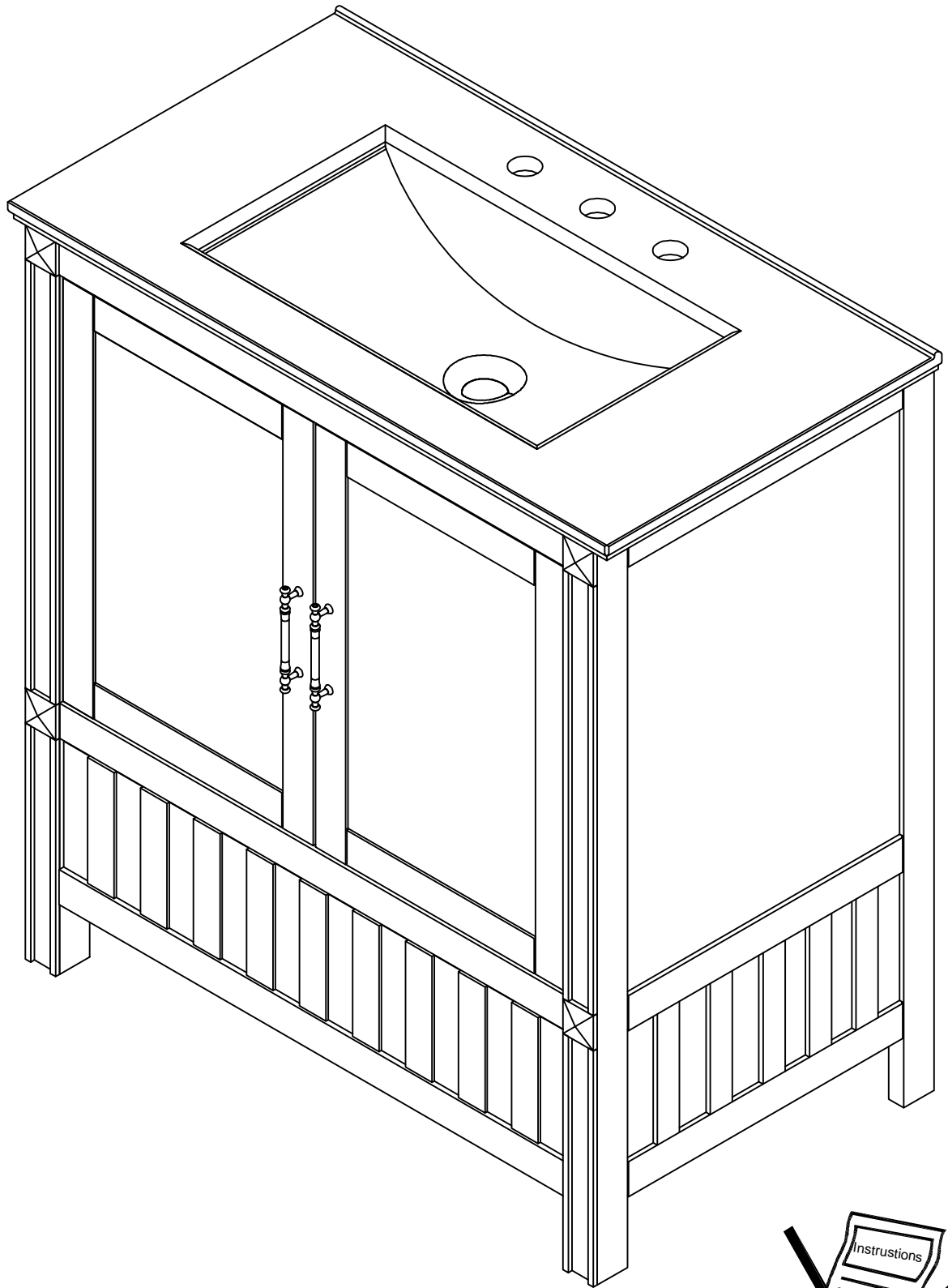
*Silicone glue is not included in the package to comply with safety regulations in certain shipping conditions.

STEP: 20

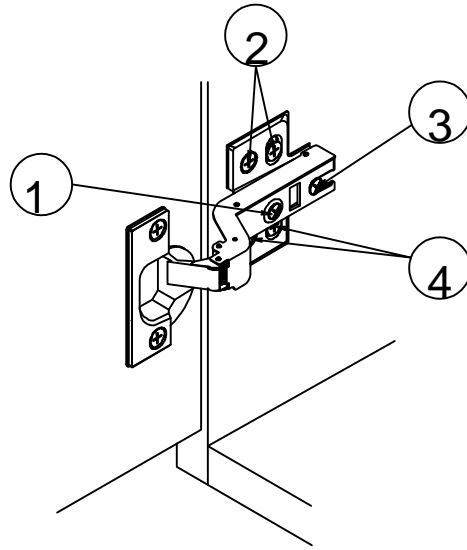


**Push the drawer front to open
and close drawer**

STEP: 21

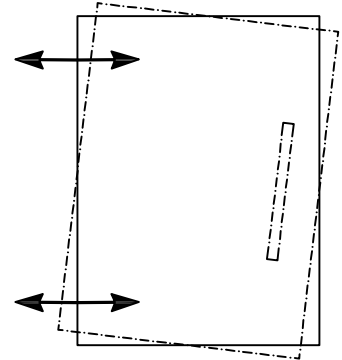


HINGE ADJUSTMENTS



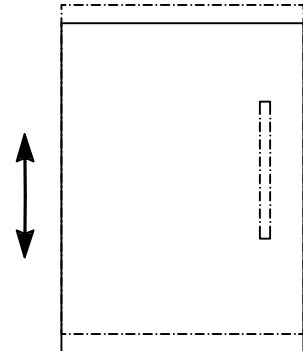
① Sideways / Tilt adjustment

Turn the screw
clockwise to move the door further away from
the side of the cabinet
anticlockwise to move the door closer to the
side of the cabinet



② ④ Height adjustment

While supporting the weight of the door, turn the
screws
clockwise to move the door up
anticlockwise to move the door down



③ Forward and back adjustment

