

STORAGE CABINET

User Manual

INTRODUCTION

Thank you for choosing the Storage Cabinet. Please read this user manual carefully and keep it for future reference. If you need any assistance, please contact us by email with your order number and details.

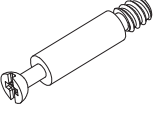

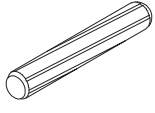
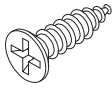
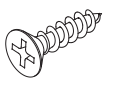
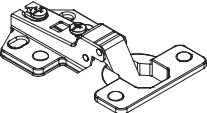

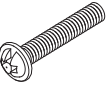
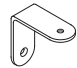
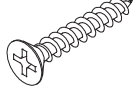
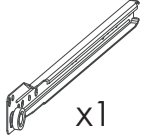
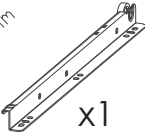
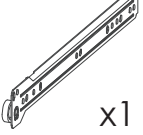
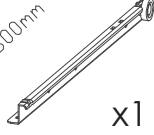
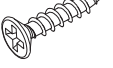

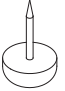
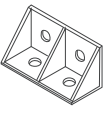
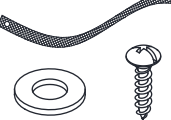
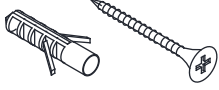

PACKAGE CONTENTS

- 1x Storage Cabinet
- 1x Pack of Accessories
- 1x User Manual

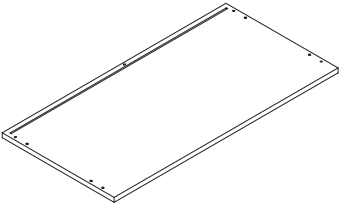
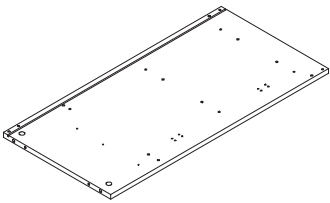
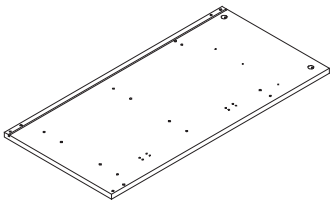
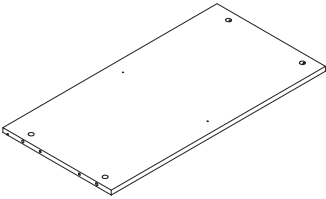
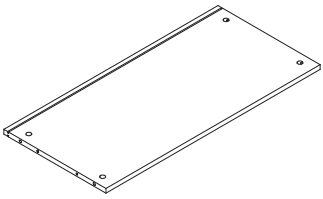
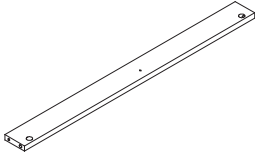
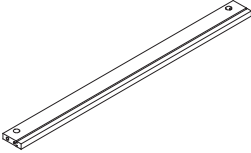
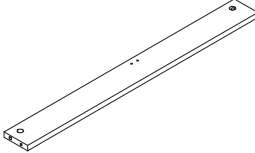
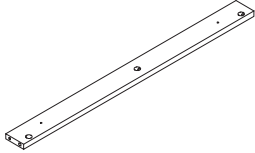
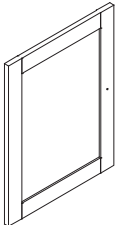
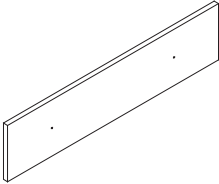
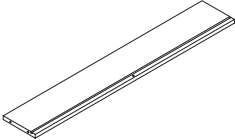
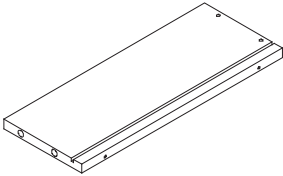
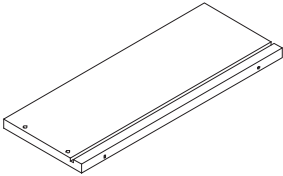
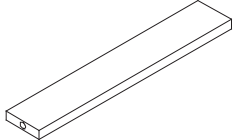
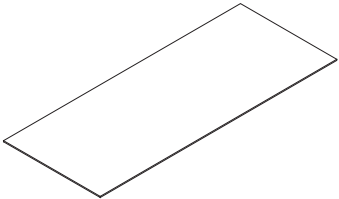
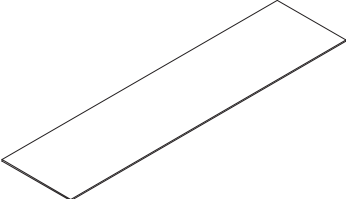
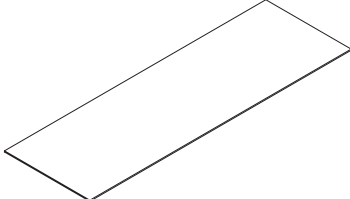
PRODUCT CARE

- Please follow the instruction to assemble this item correctly.
- Don't make the screws be too loose or too tight.
- Please put the screws into the holes' position just as shown in the arrows of the image, and then clockwise rotate 90° or 180°
- More product parts, it is recommended that two people install
- The fittings pack contains small accessories that should be kept away from small children.

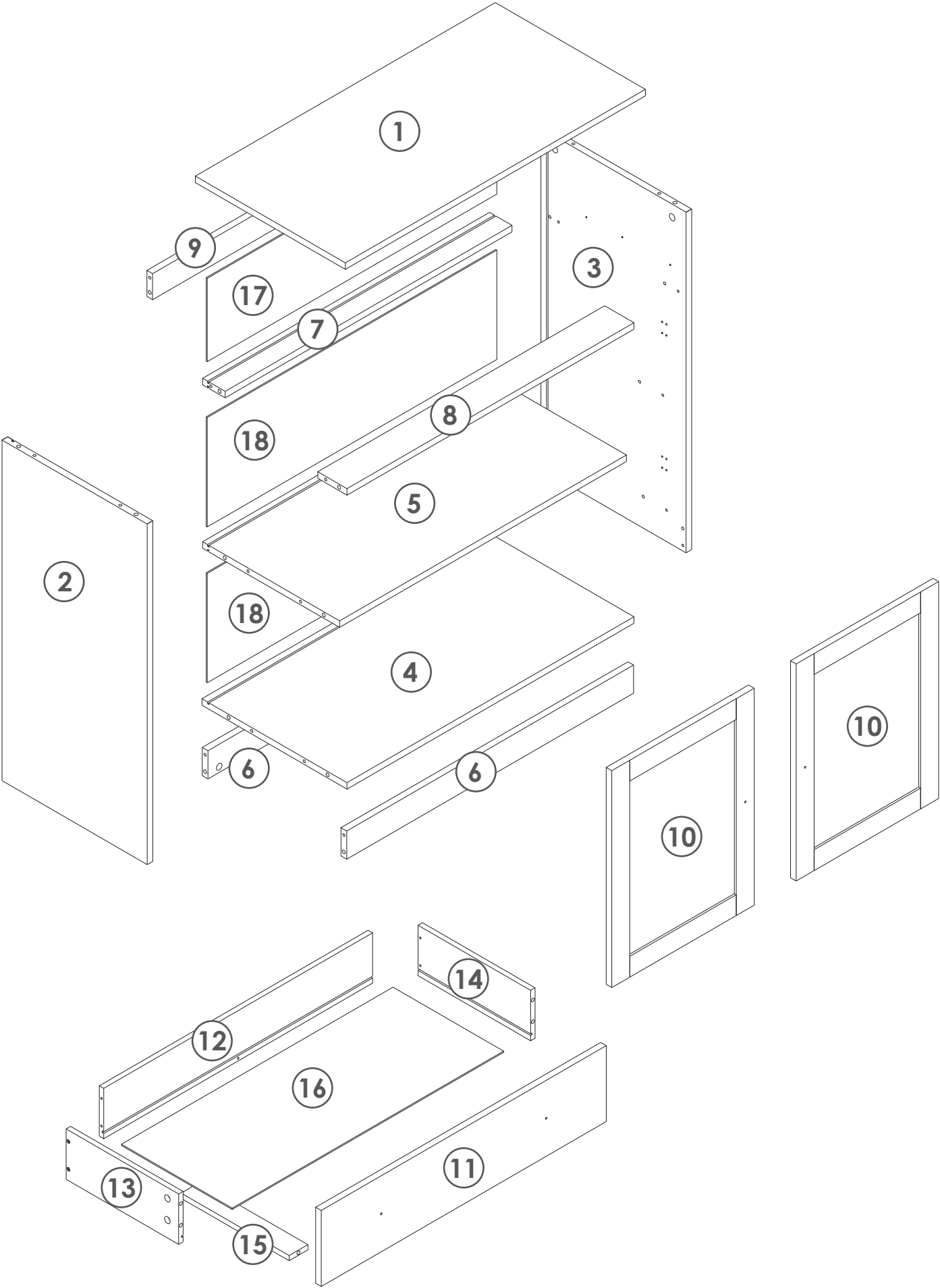
HARDWARE SUPPLIED

A M6*35mm  x28	B M15*9.5mm  x28	C M5.8*30mm  x22	D M4*14mm  x30	E M3*12mm  x10	
F  x4	G  x4	H M4*18mm  x4	I  x2	J M4*35mm  x5	
K (CL)  x1	(DL) 12Inch/300mm  x1	(CR)  x1	(DR) 12Inch/300mm  x1	L M3*14mm  x10	
M  x10	N  x4	O  x1	P  x2	Q  x2	R  x28

PARTS LIST

<p>① 800*400</p>  <p>x1</p>	<p>② 787*387</p>  <p>x1</p>	<p>③ 787*387</p>  <p>x1</p>
<p>④ 768*384</p>  <p>x1</p>	<p>⑤ 768*368</p>  <p>x1</p>	<p>⑥ 768*62</p>  <p>x2</p>
<p>⑦ 768*65</p>  <p>x1</p>	<p>⑧ 768*78</p>  <p>x1</p>	<p>⑨ 768*65</p>  <p>x1</p>
<p>⑩ 500*380</p>  <p>x2</p>	<p>⑪ 762*175</p>  <p>x1</p>	<p>⑫ 717*116</p>  <p>x1</p>
<p>⑬ 299*116</p>  <p>x1</p>	<p>⑭ 299*116</p>  <p>x1</p>	<p>⑮ 288*50</p>  <p>x1</p>
<p>⑯ 726*295</p>  <p>x1</p>	<p>⑰ 775*193</p>  <p>x1</p>	<p>⑱ 775*253</p>  <p>x2</p>

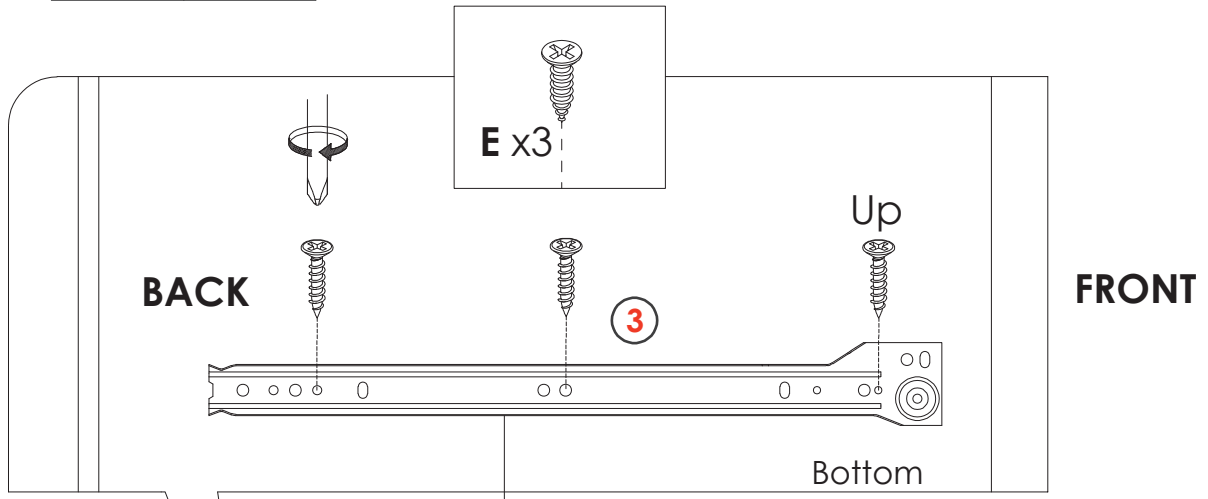
PANEL LAYOUT



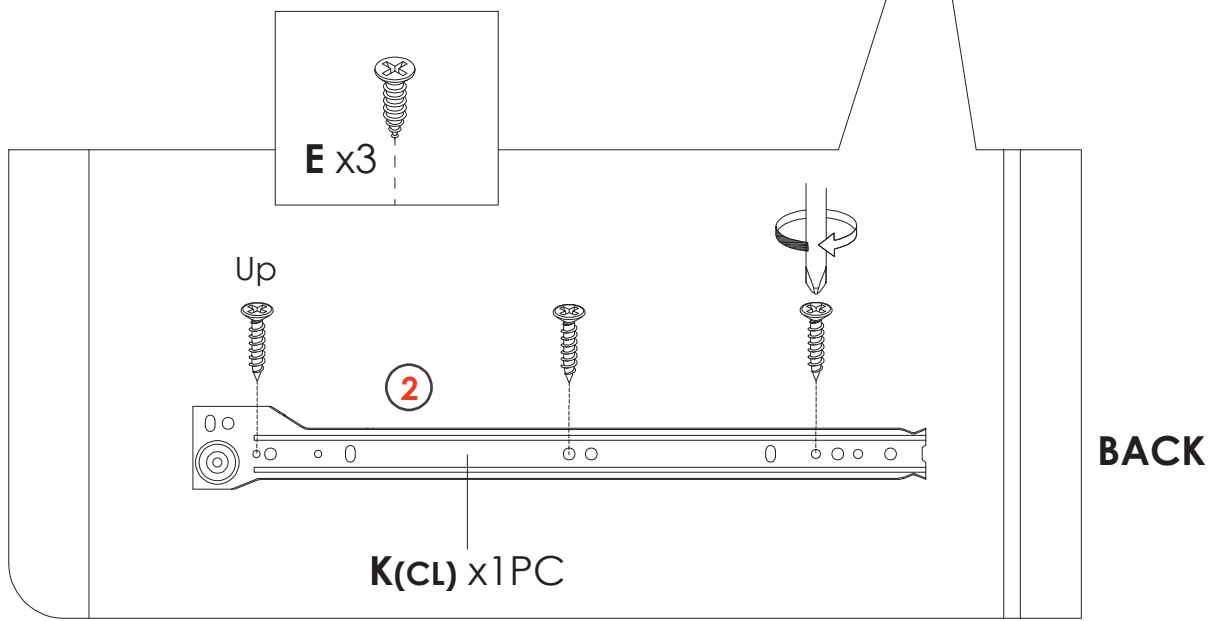
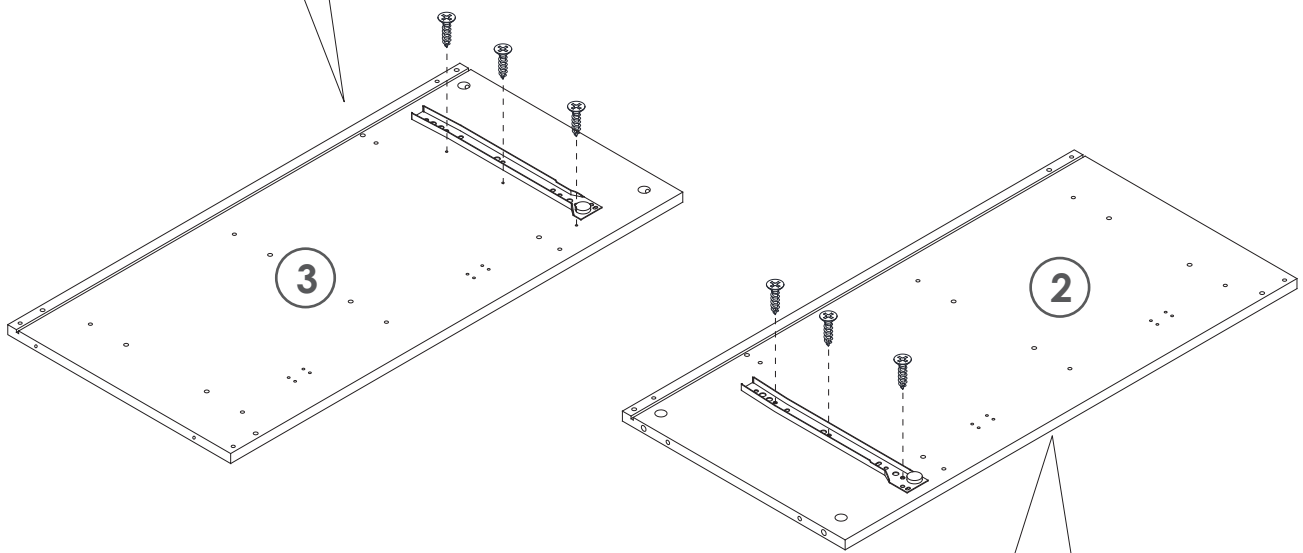
1

YOU WILL NEED

E x6



K(CR) x1PC

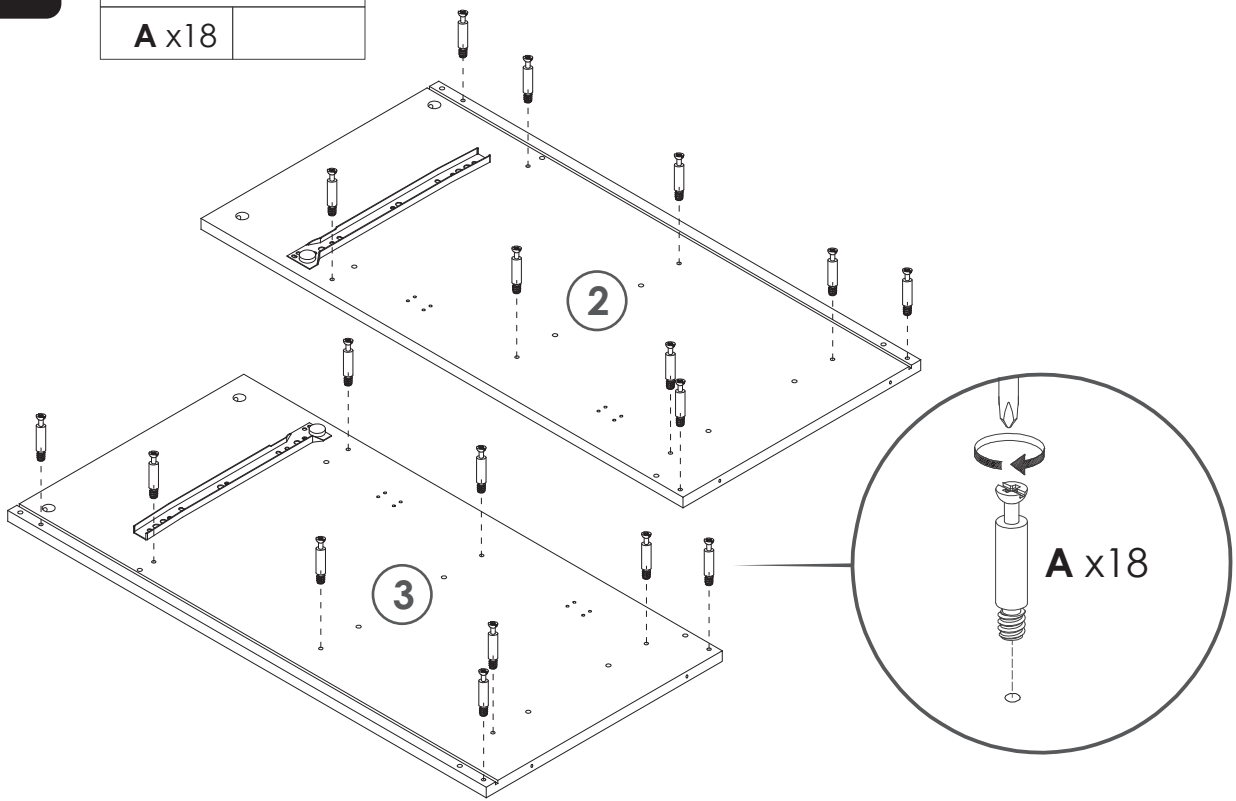


K(CL) x1PC

2

YOU WILL NEED

A x18

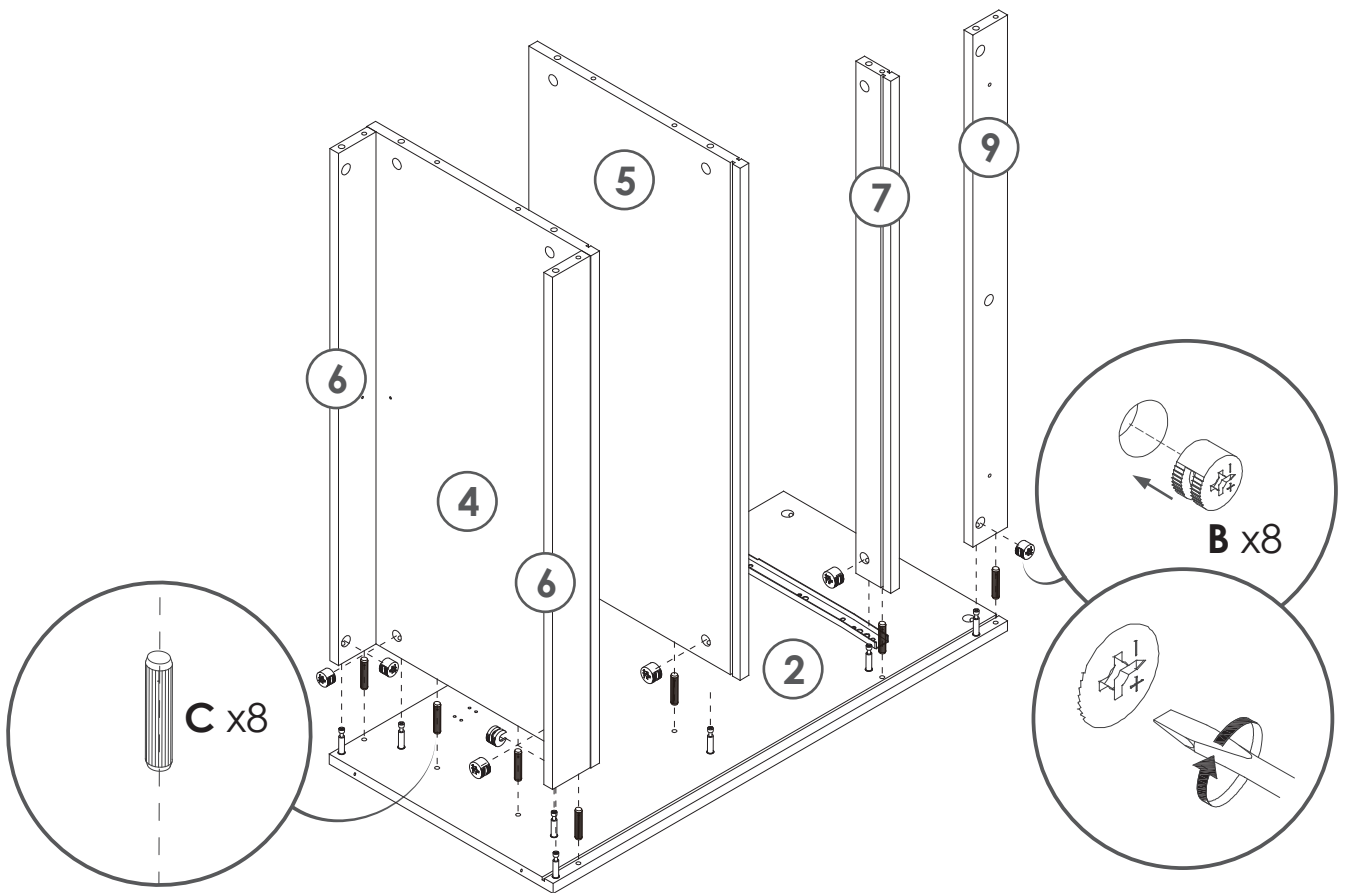


3

YOU WILL NEED

B x8

C x8

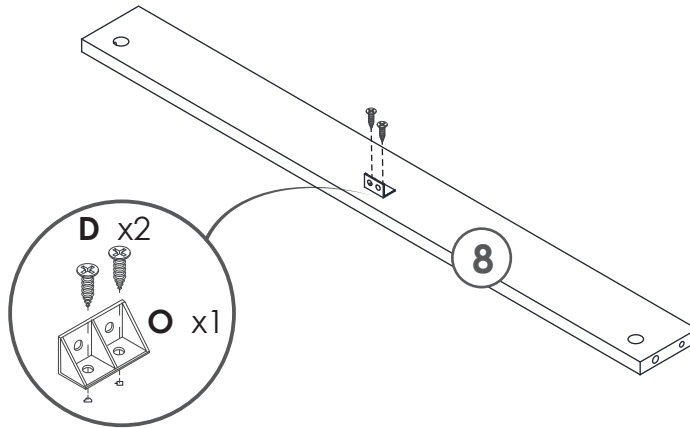


4

YOU WILL NEED

D x2

O x1

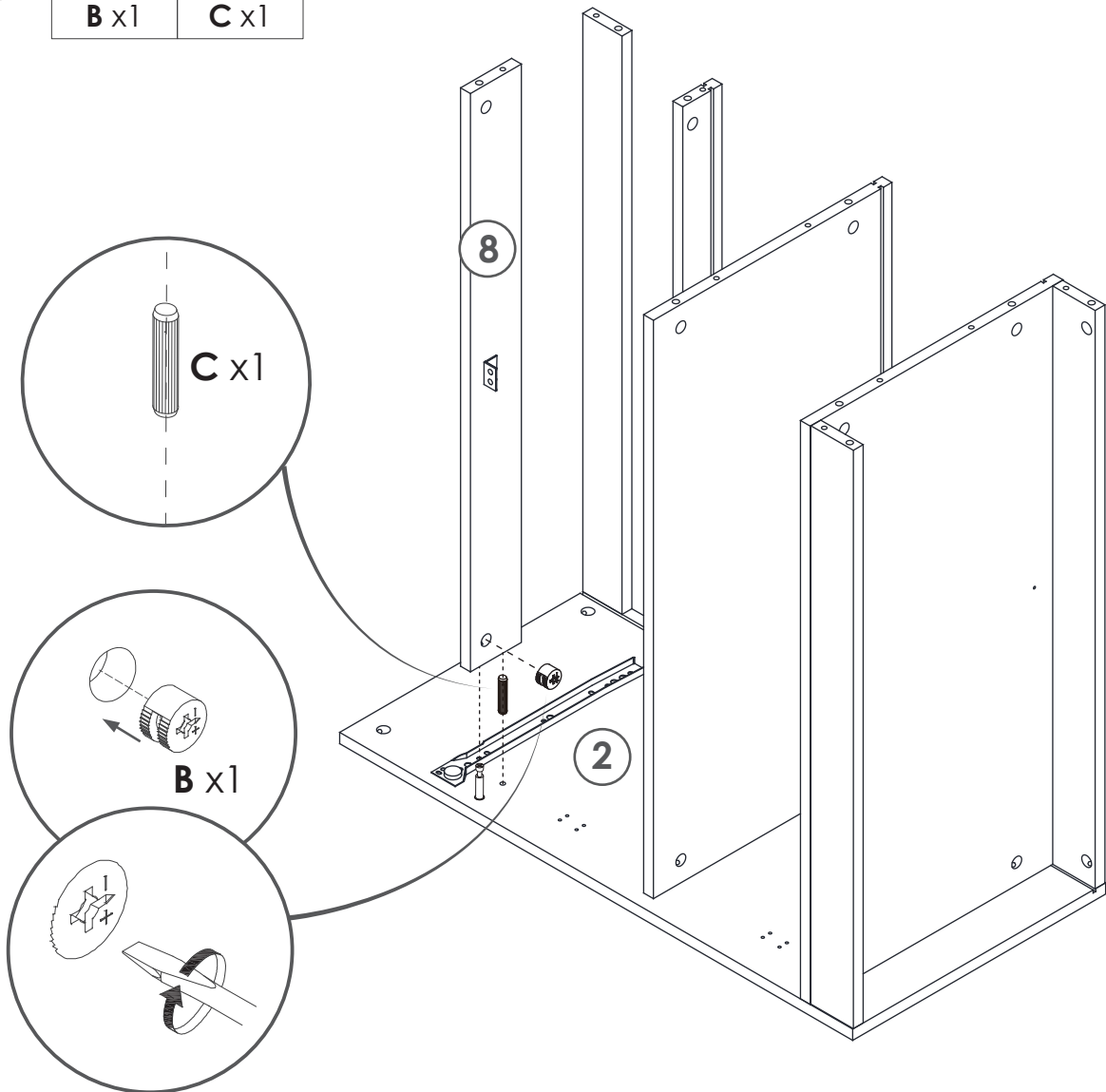


5

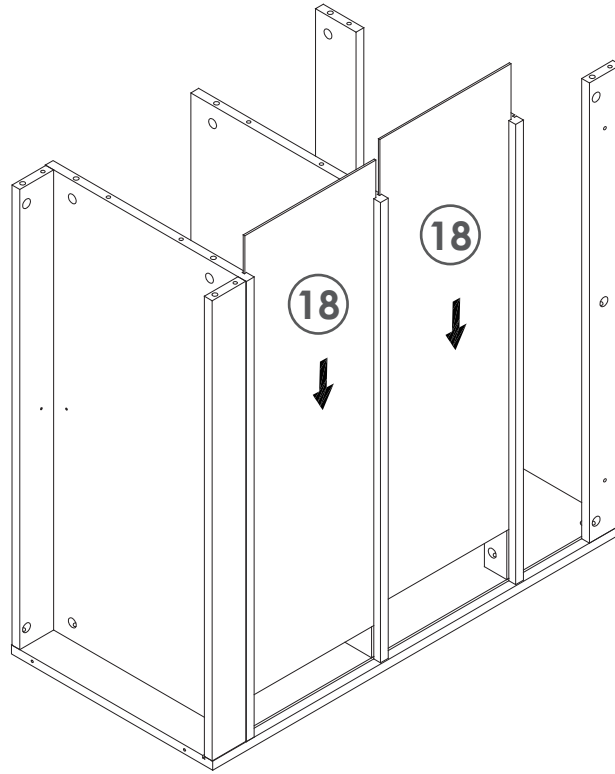
YOU WILL NEED

B x1

C x1



6

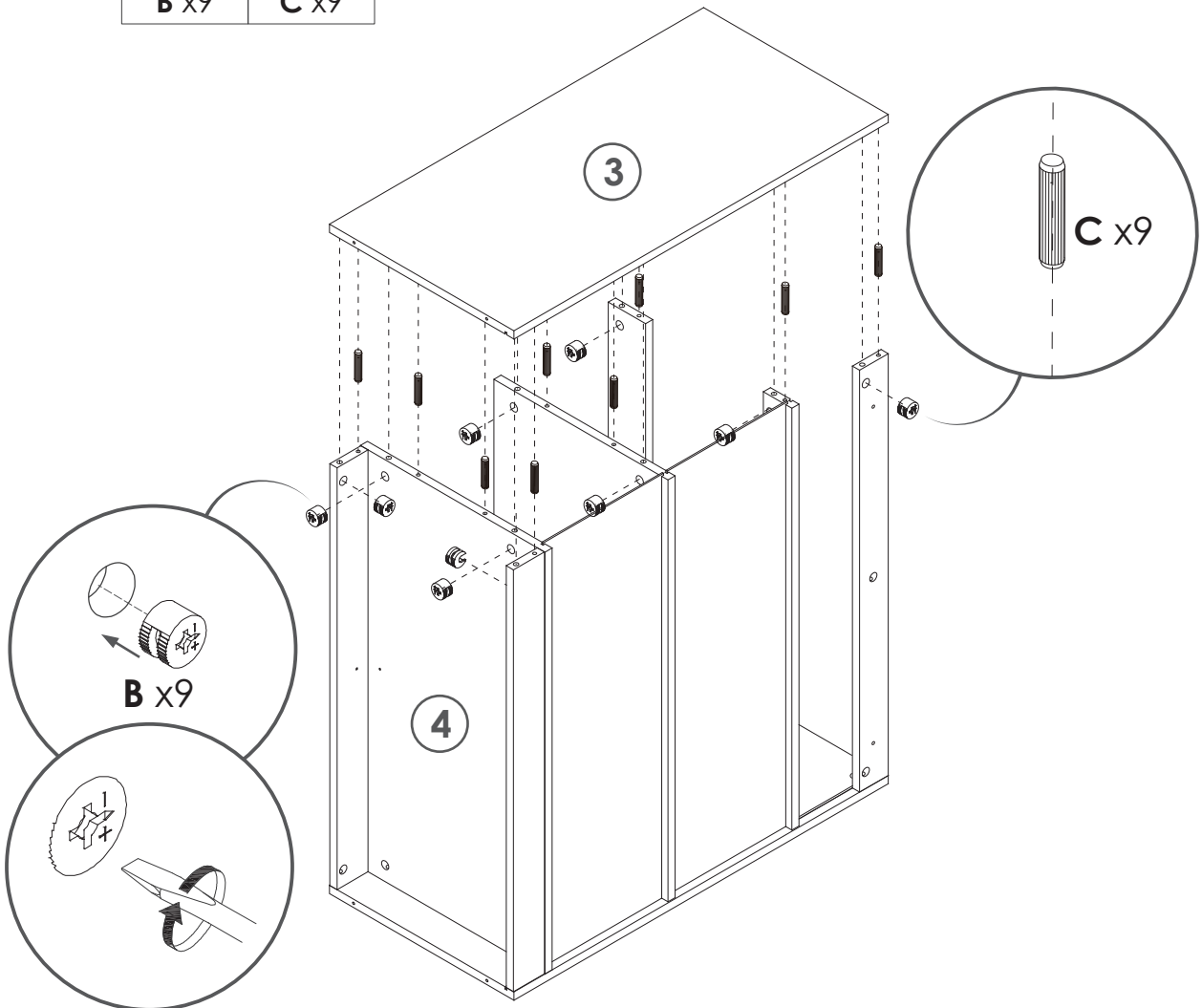


7

YOU WILL NEED

B x9

C x9



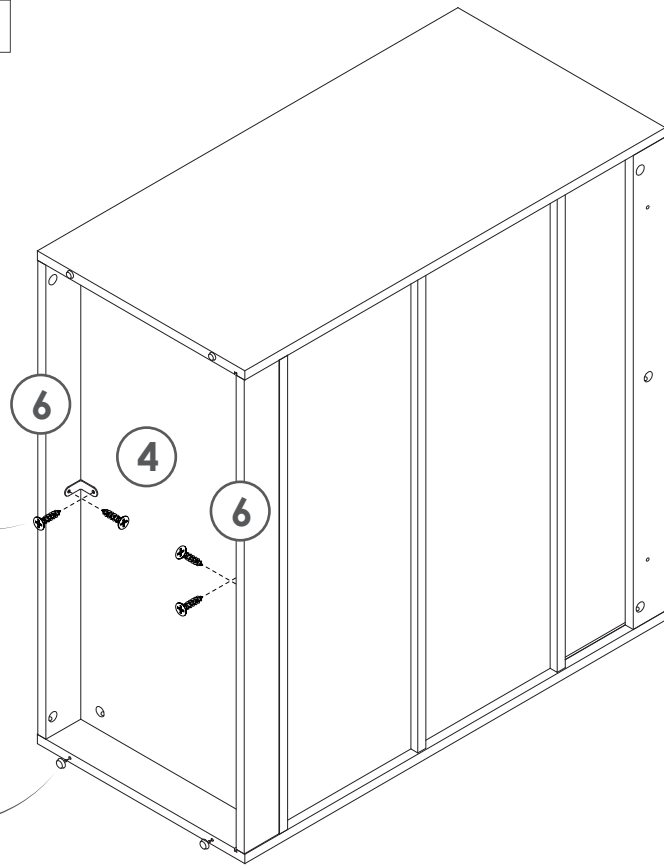
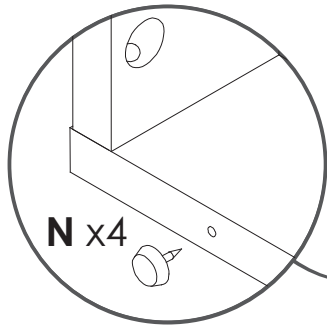
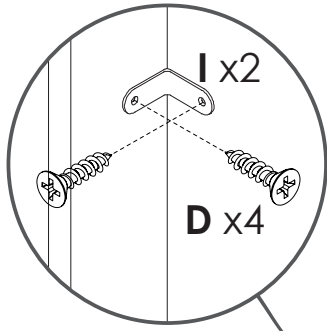
8

YOU WILL NEED

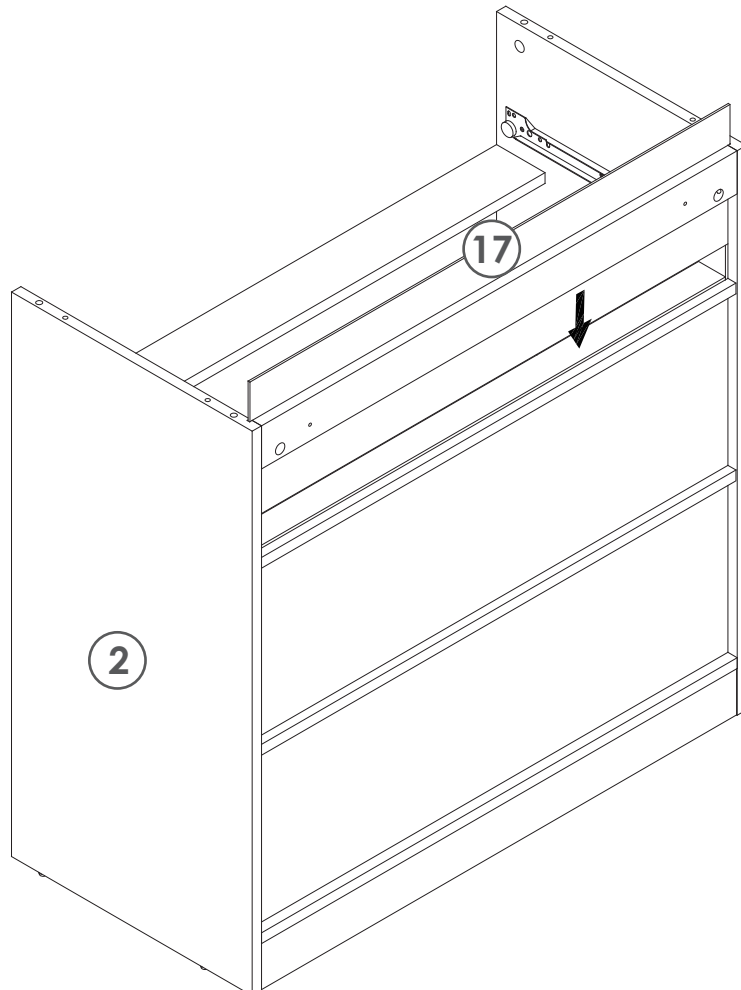
D x4

I x2

N x4



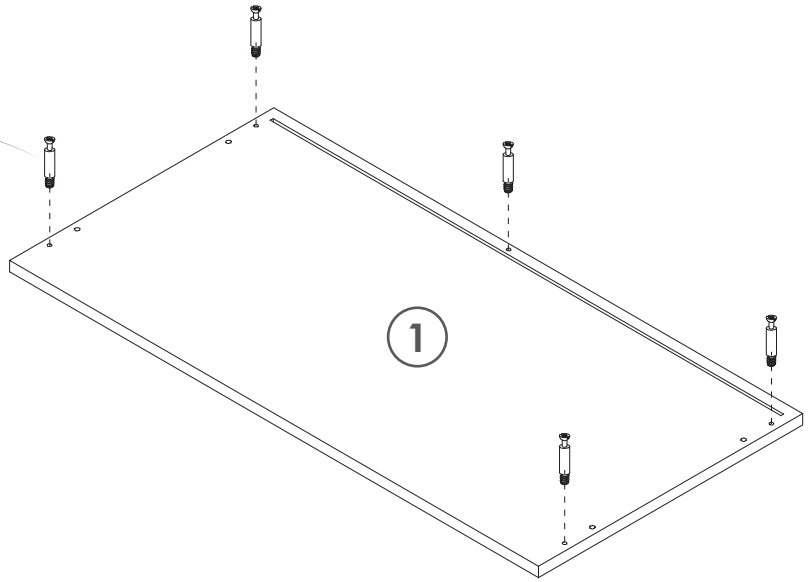
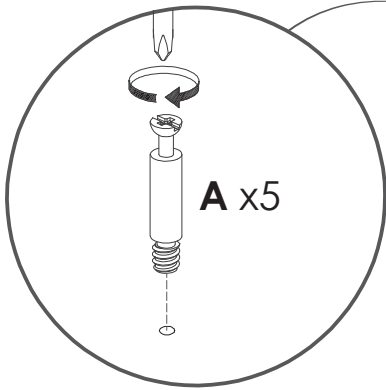
9



10

YOU WILL NEED

A x5

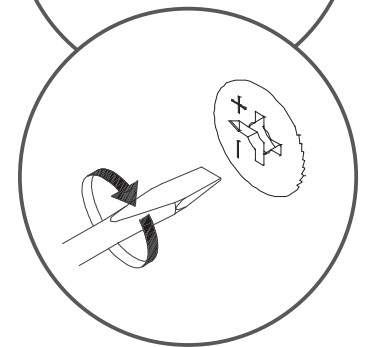
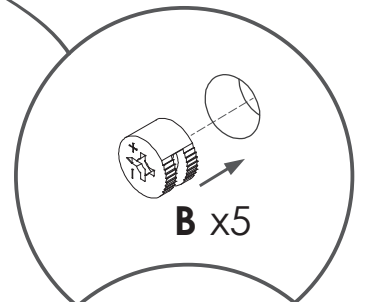
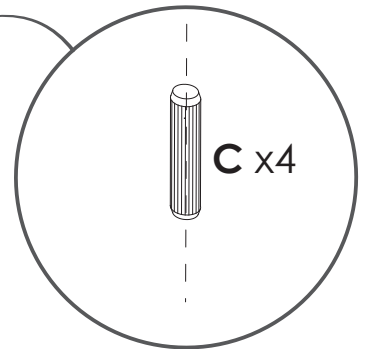
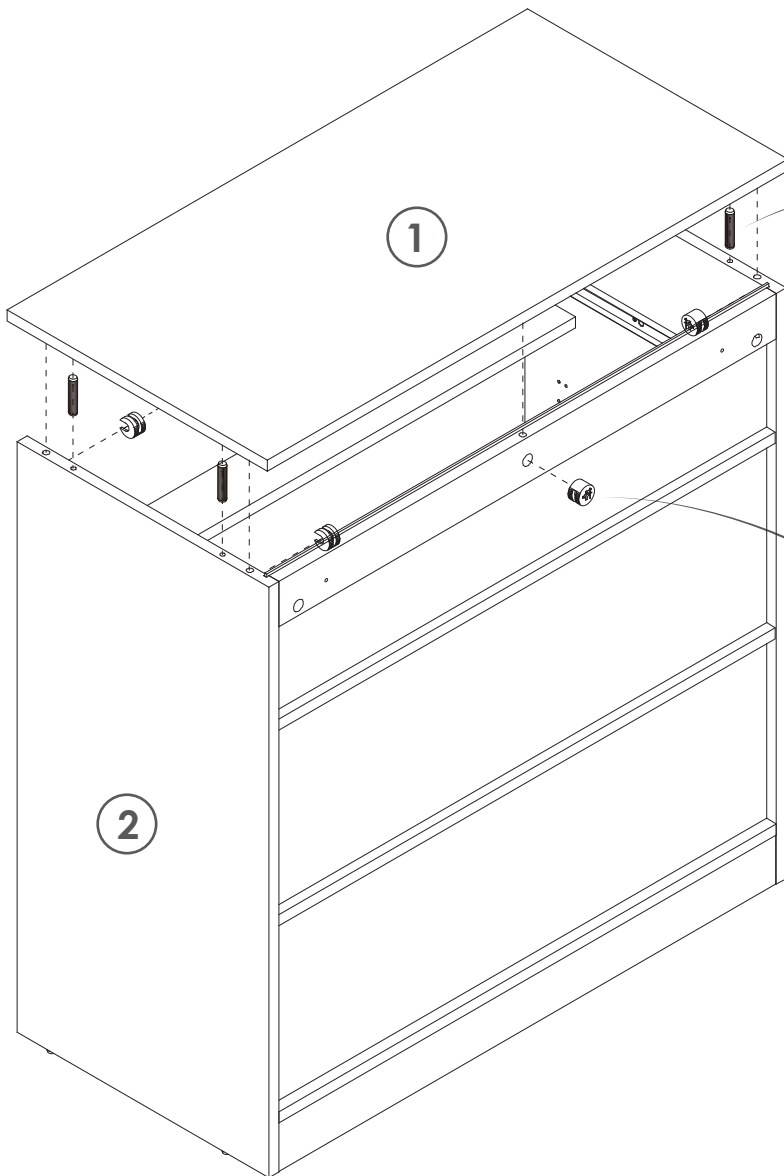


11

YOU WILL NEED

B x5

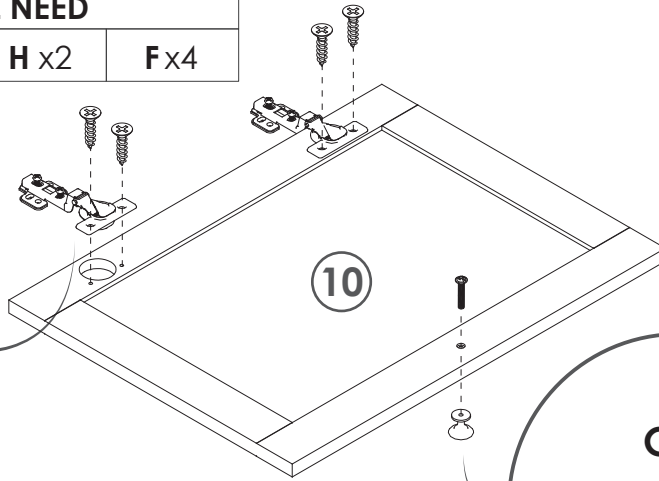
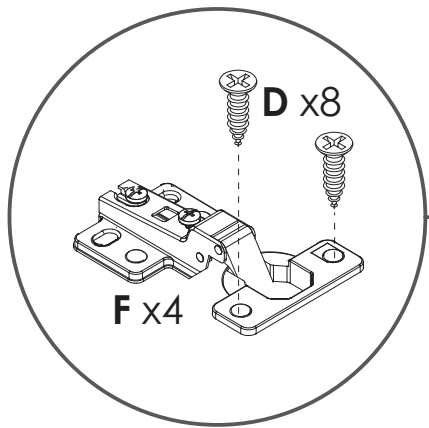
C x4



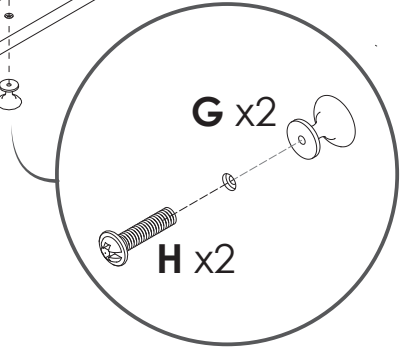
12

YOU WILL NEED

D x8	G x2	H x2	F x4
------	------	------	------



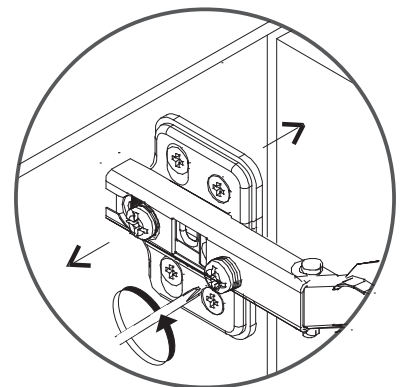
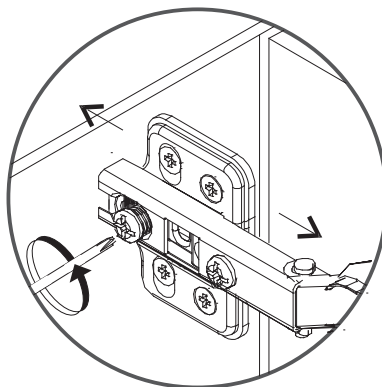
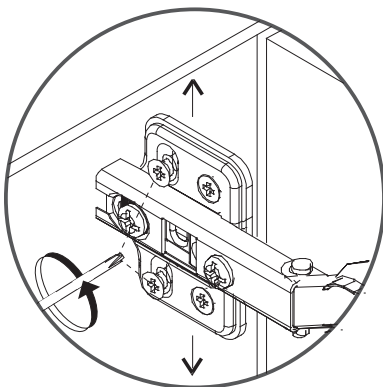
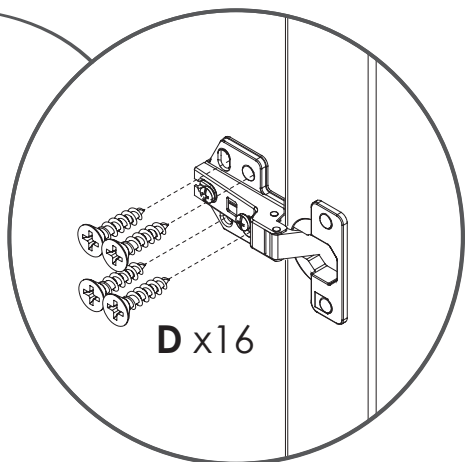
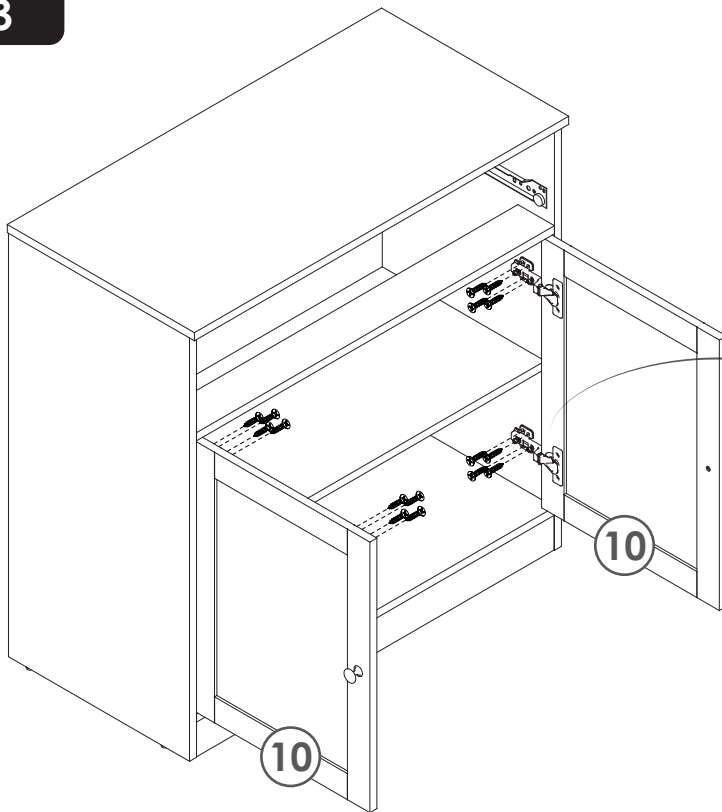
x2



13

YOU WILL NEED

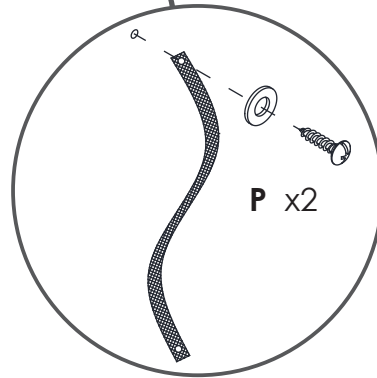
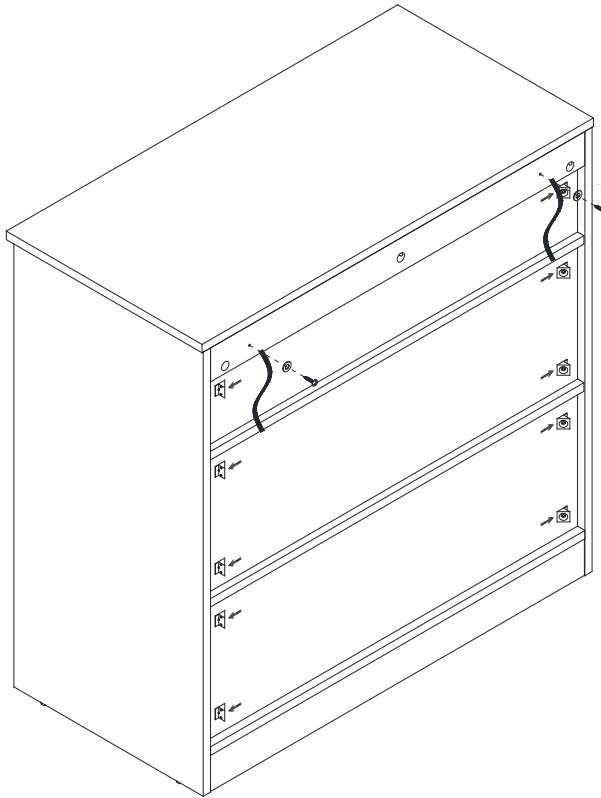
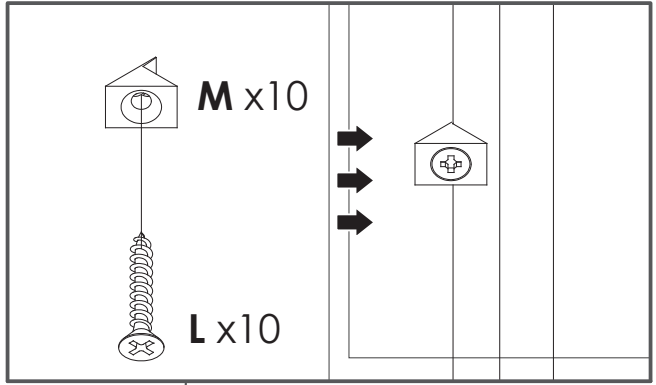
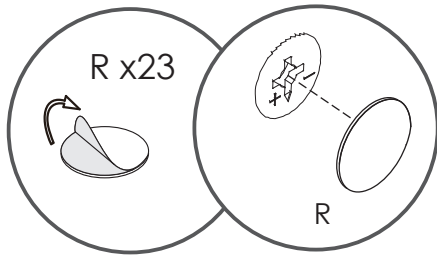
D x16



14

YOU WILL NEED

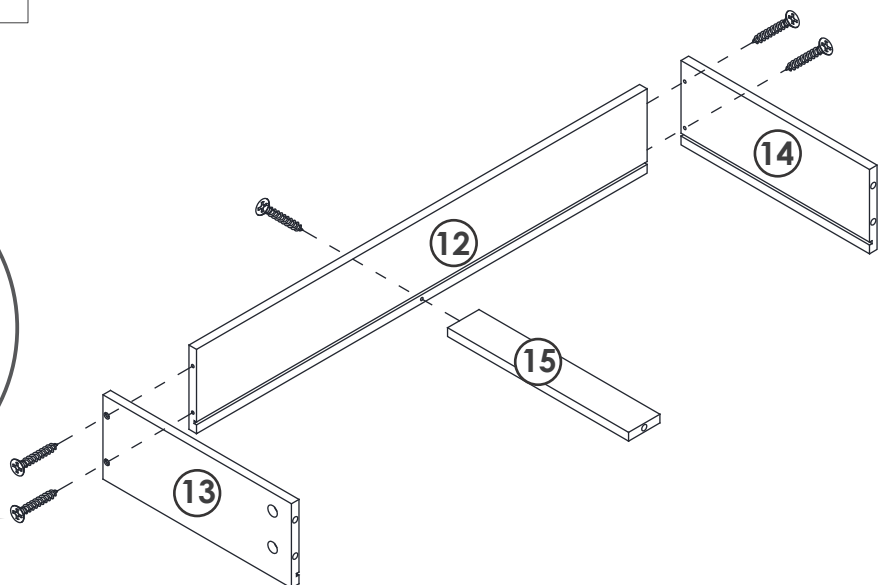
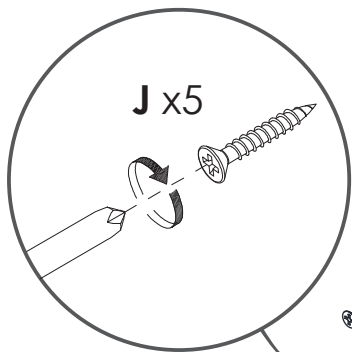
L x10	M x10	P x2	R x23
-------	-------	------	-------



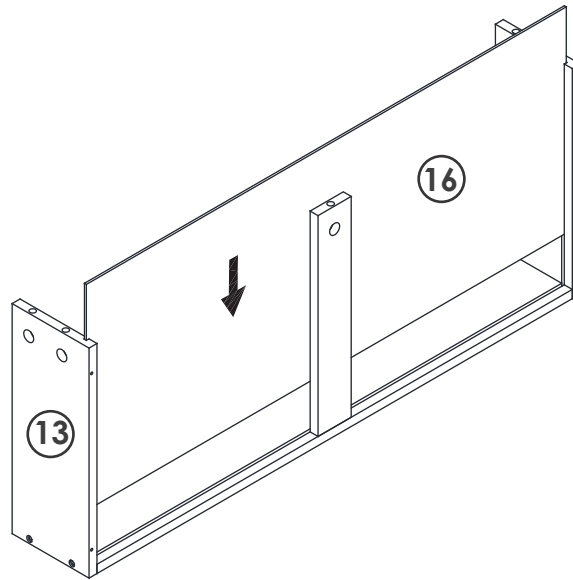
15

YOU WILL NEED

J x5	
------	--



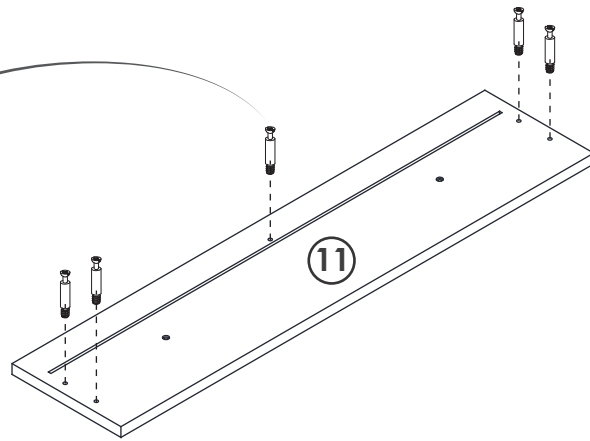
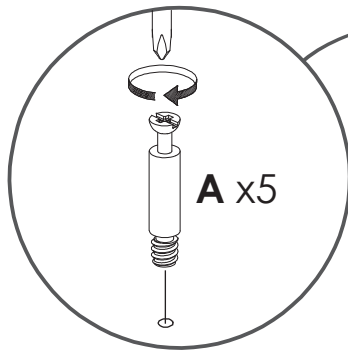
16



17

YOU WILL NEED

A x5

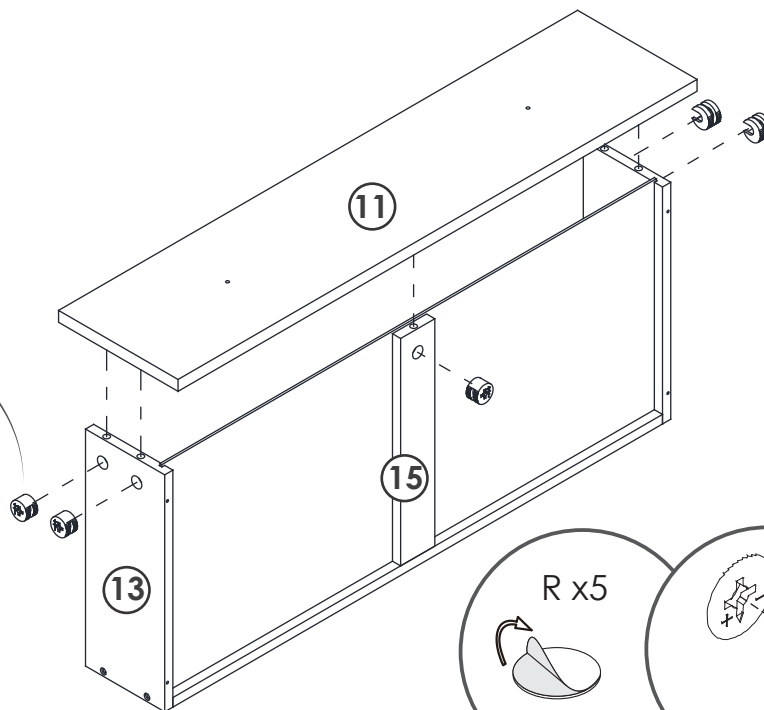
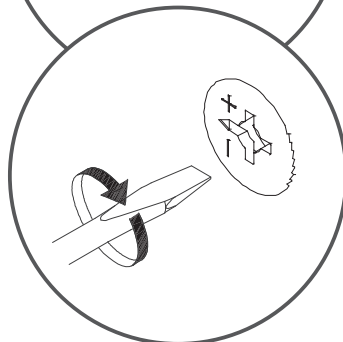
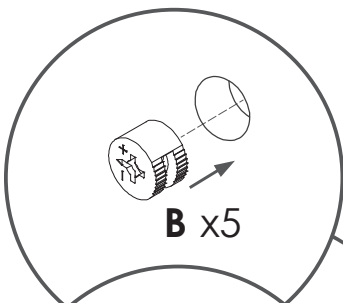


18

YOU WILL NEED

B x5

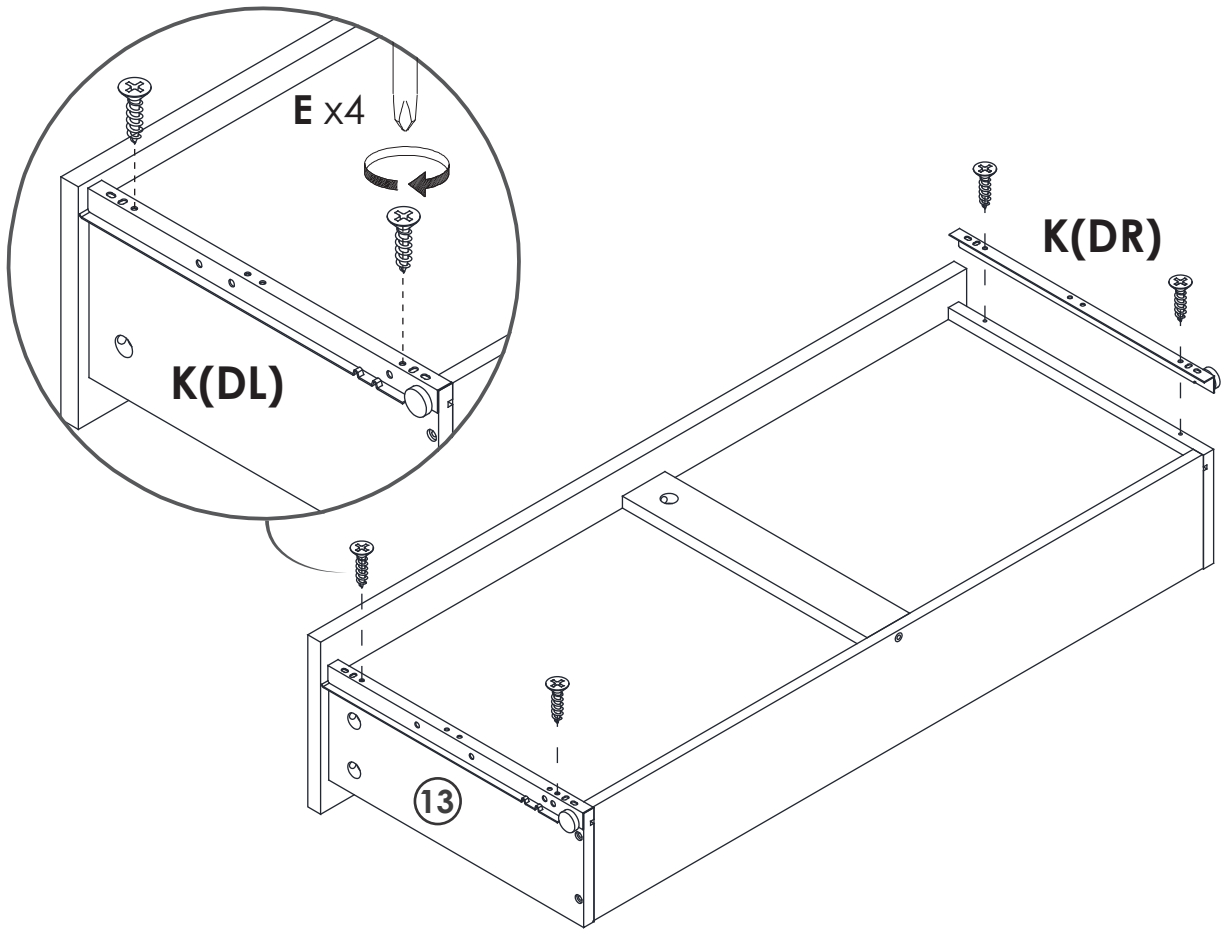
R x5



19

YOU WILL NEED

E x4

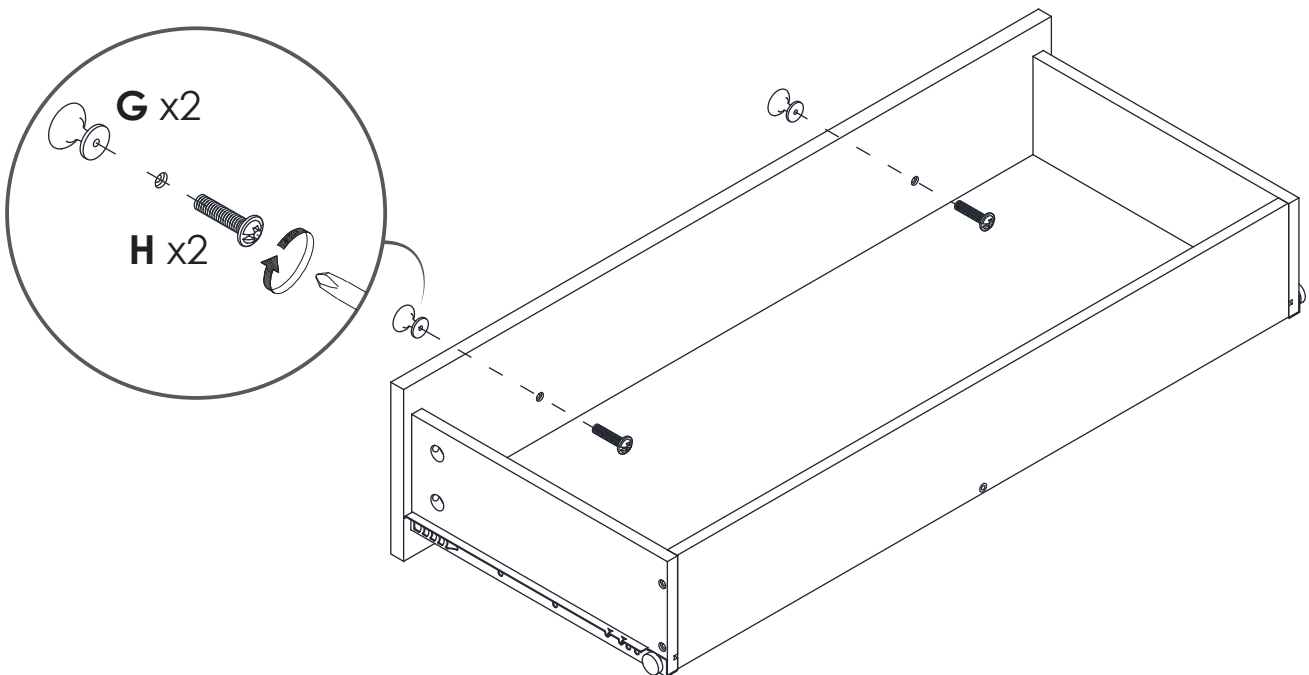


20

YOU WILL NEED

G x2

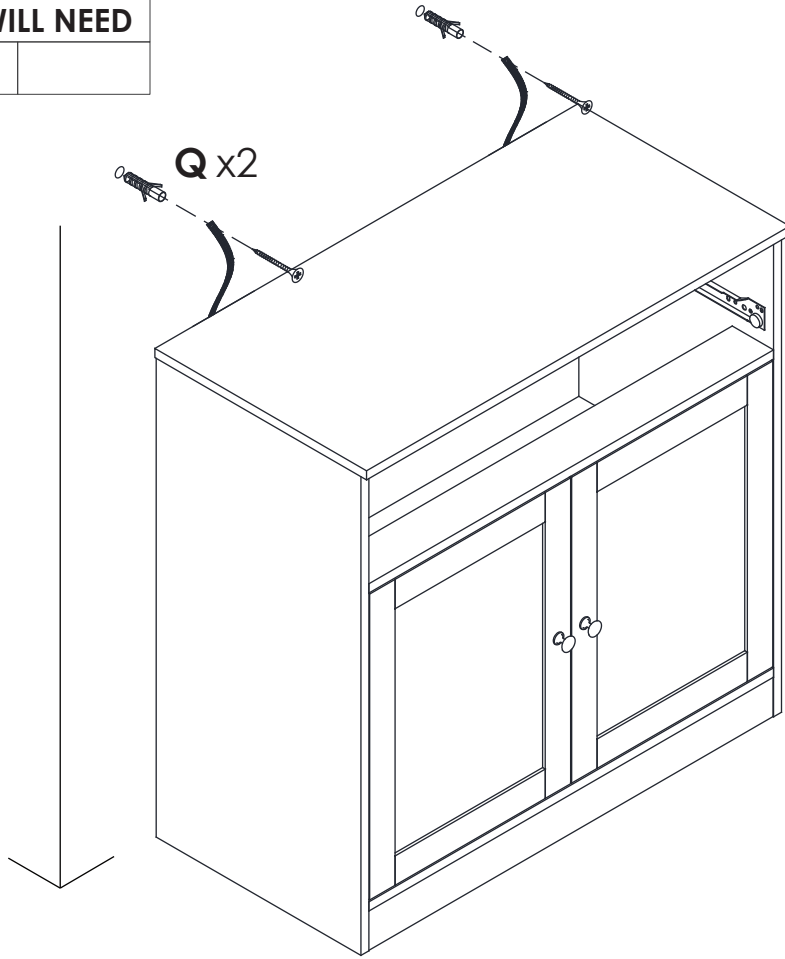
H x2



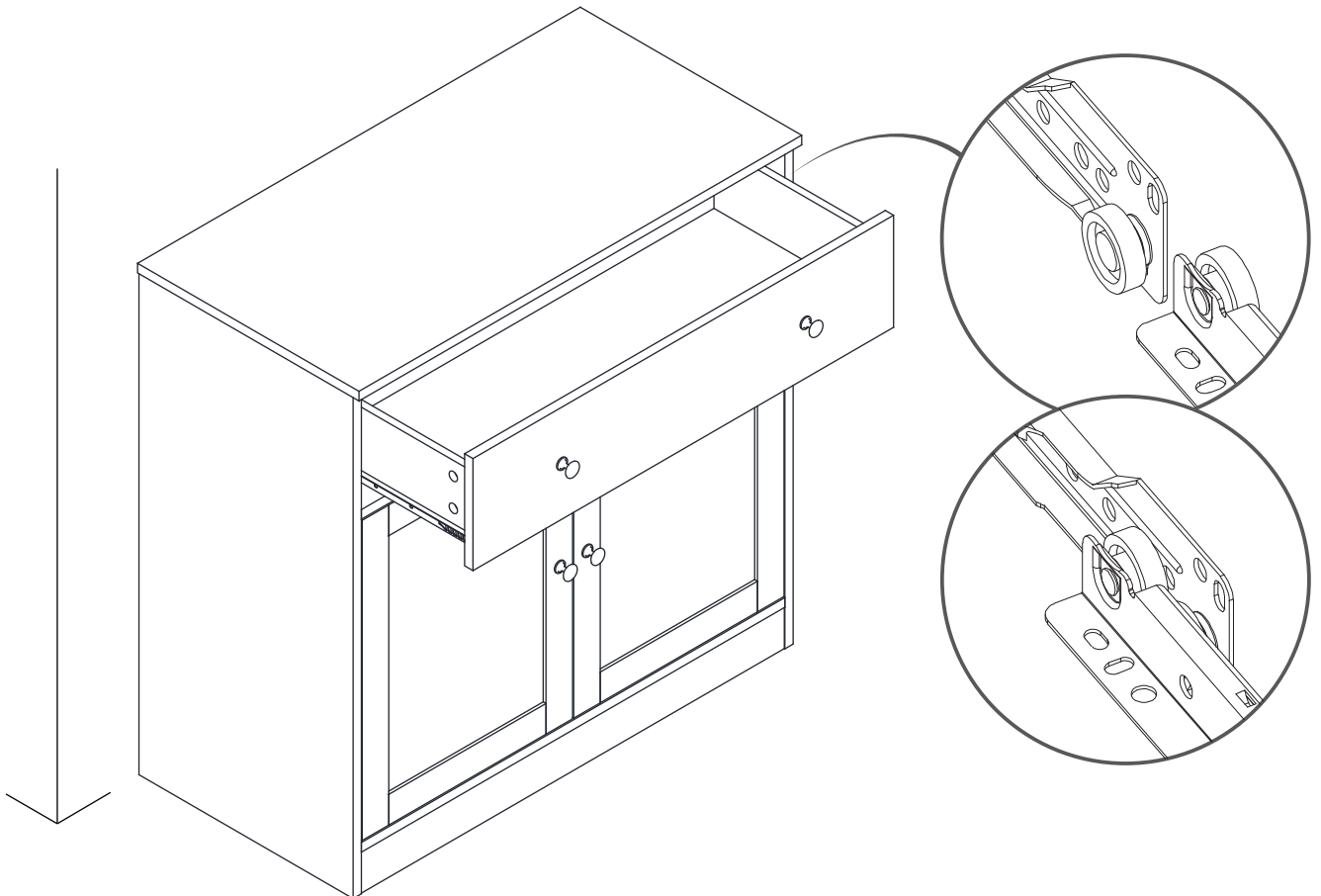
21

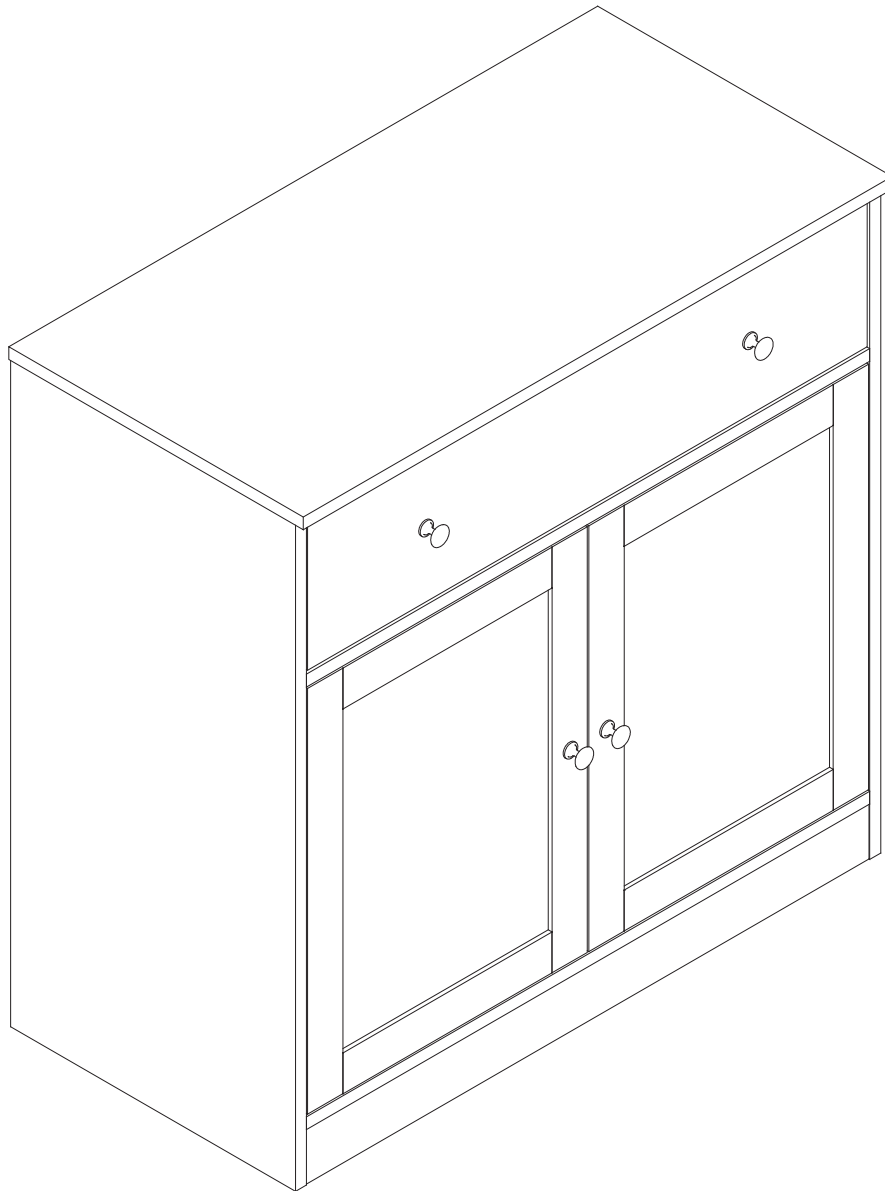
YOU WILL NEED

Q x2



22





GUARANTEE

Storage Cabinet offers a **90-days** warranty that begins on the date of the original purchase and applies to problems caused by the manufacturer.