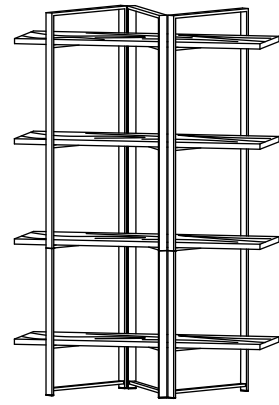
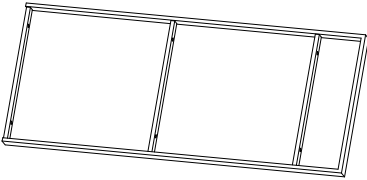
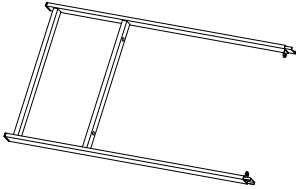
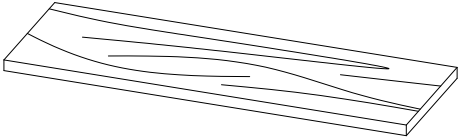
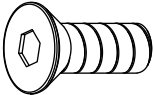
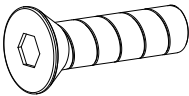
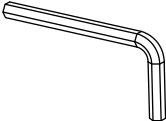
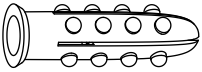

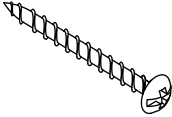



DISPLAY RACK

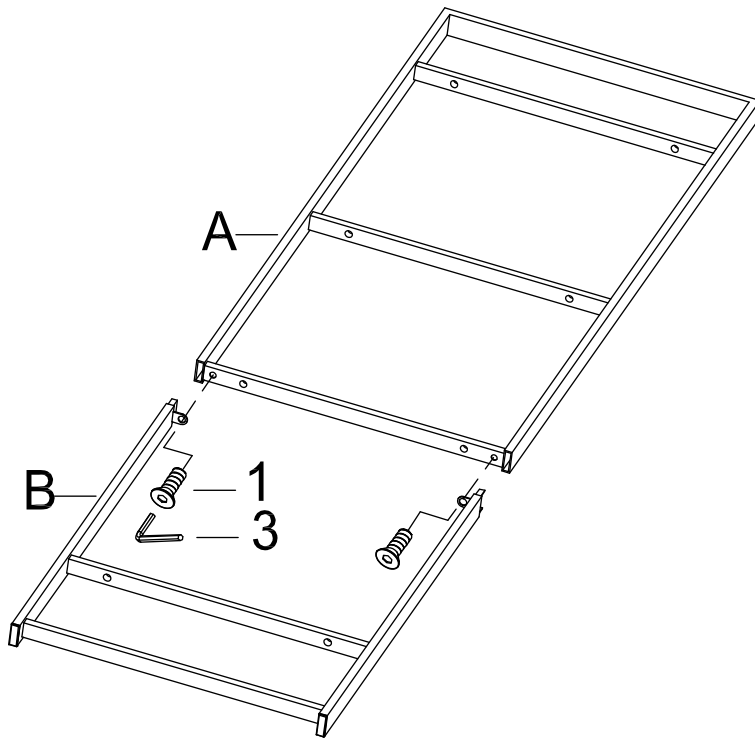


ASSEMBLY INSTRUCTIONS

A	B	C
 <p>LARGE SIDE PANEL 3PCS</p> <p>1</p>	 <p>SMALL SIDE PANEL 3PCS</p> <p>2</p>	 <p>WOOD SHELF 4PCS</p> <p>3</p>
 <p>BOLT 1/4" X 1/2" 6PCS</p> <p>4</p>	 <p>BOLT 1/4" X 1" 24PCS</p> <p>5</p>	 <p>ALLEN WRENCH 1PC</p> <p>6</p>
 <p>WALL ANCHOR 2PCS</p> <p>7</p>	 <p>L BRACKET 2PCS</p>	 <p>SCREW 2PCS</p>
 <p>PASTIC STRAP 2PCS</p>		

***** Do not tighten screws & bolts until the entire unit is completely assembled. *****

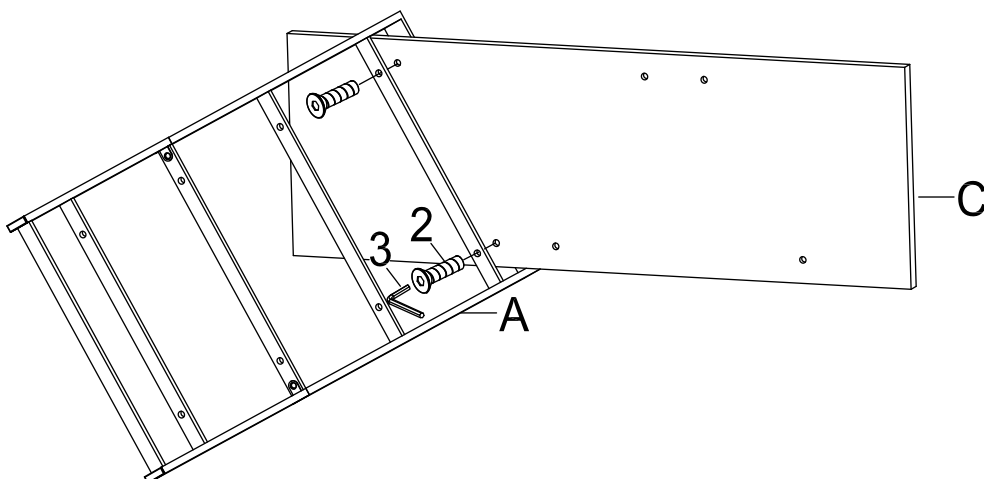
STEP 1



Attach large side panel (A) to small side panel (B) using bolts (1) as shown.

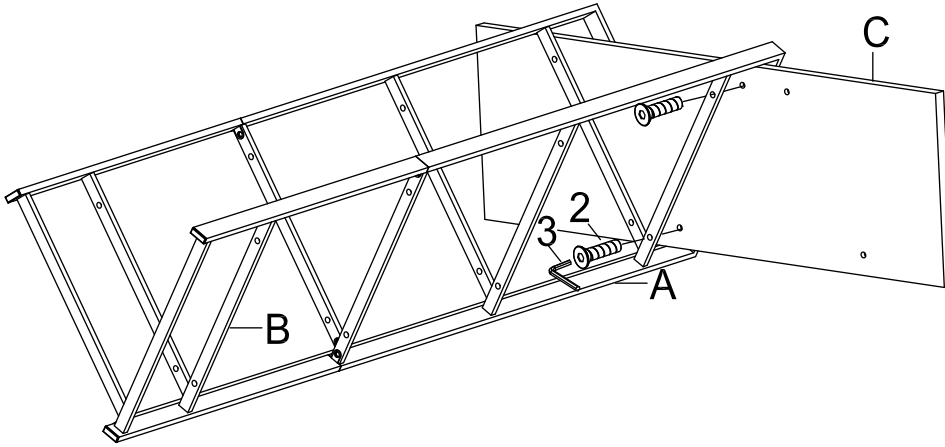
There are total 3 pieces of side panel.

STEP 2



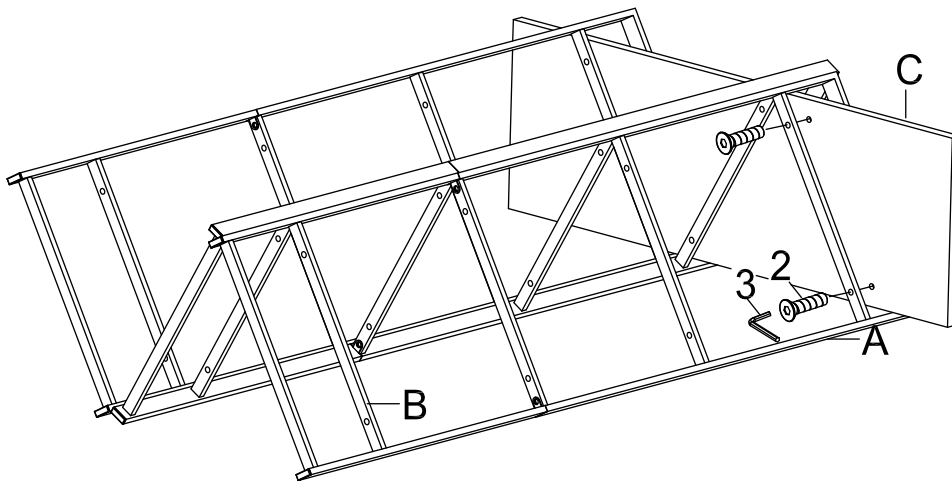
Attach wood shelf (C) to one large side panel (A) using bolts (2) as shown.

STEP 3



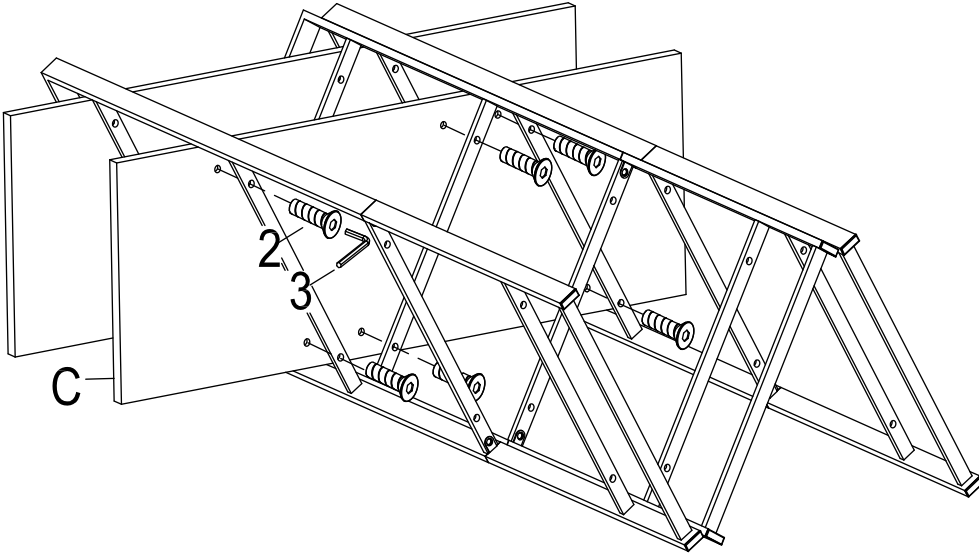
Attach another large side panel (A) to wood shelf (C) using bolts (2).

STEP 4



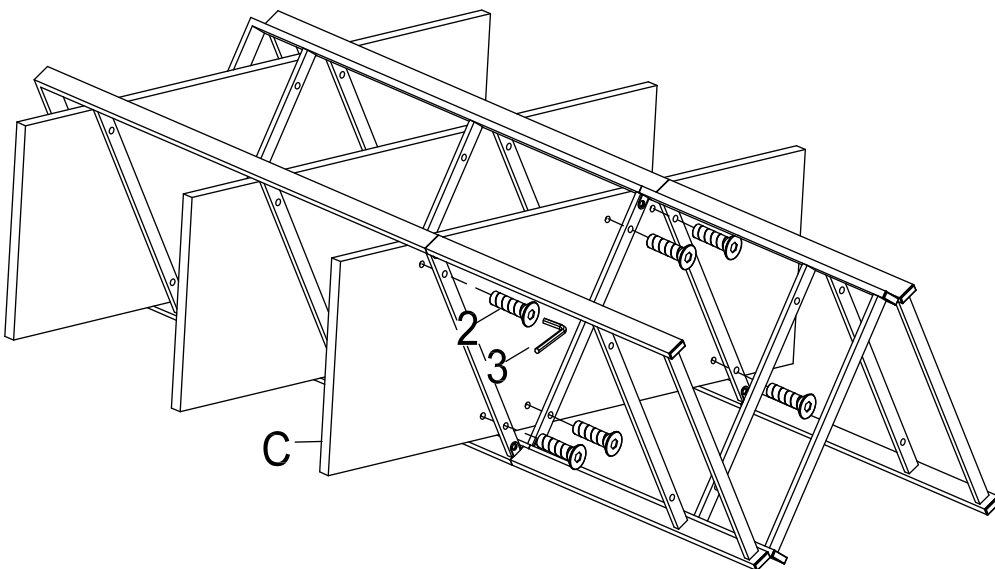
Attach the large side panel (A) to wood shelf (C) using bolts (2).

STEP 5



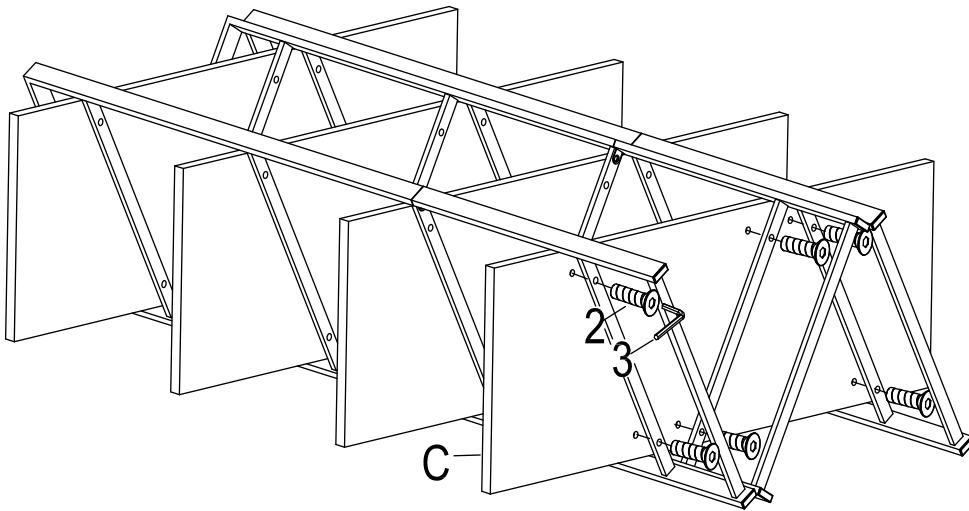
Attach the wood shelf (C) to the assembled unit using bolts (2) as shown.

STEP 6



Attach the wood shelf (C) to the assembled unit using bolts (2) as shown.

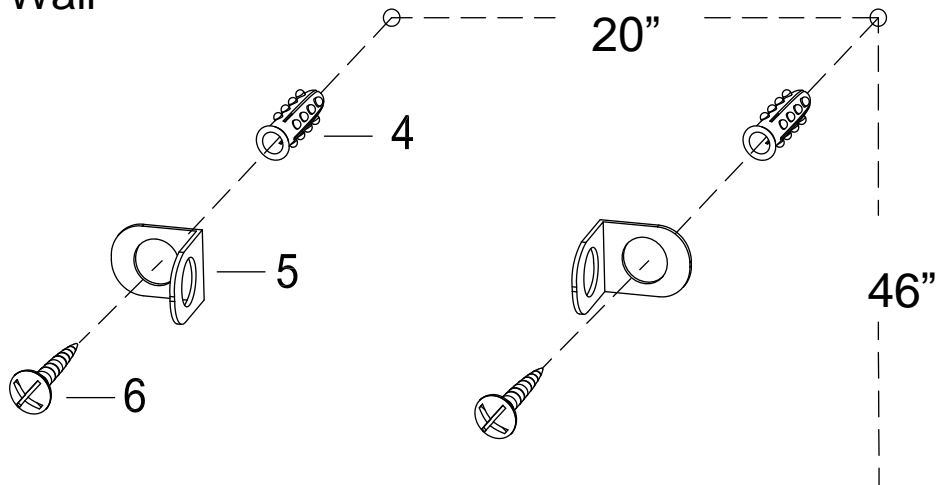
STEP 7



Attach the wood shelf (C) to the assembled unit using bolts (2) as shown.

STEP 8

Wall



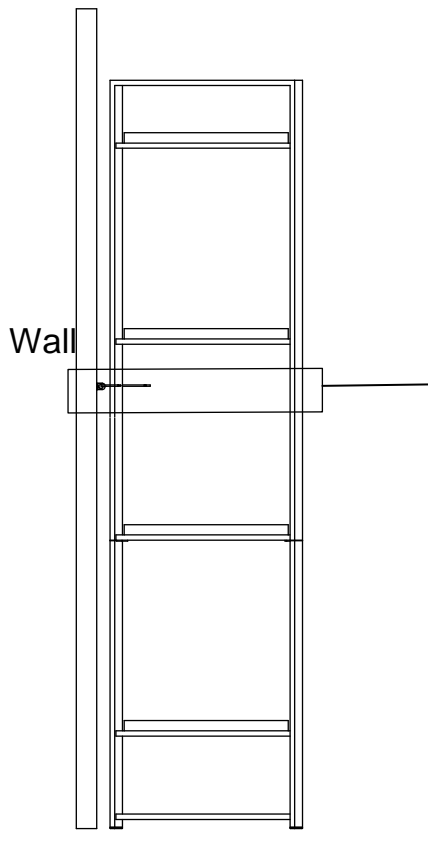
5

Select a location where you want the shelf mounted. Mark on the wall the two locations where the wall anchors (4) will be placed. Drill a hole for each anchor slightly smaller than the size of screws (6). Push the wall anchors (4) as far as it will go with your finger. Tap gently with a hammer until the anchors are in. Then align the L brackets (5) to the wall anchors (4) and insert screws (6) to secure.



Wall

STEP 9



Insert each end of the plastic strap (7) into L brackets (5), then secure and tighten.

