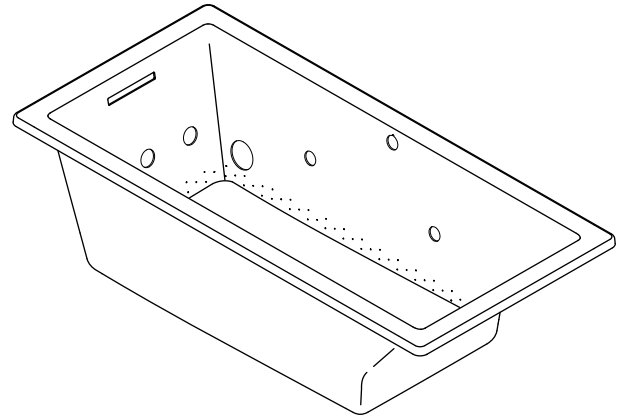


Features

- Acrylic
- Drop-in or under-mount installation
- Slotted overflow for maximum bathing depth
- Blower motor with 300 W heater and electronic user and back-lit user control
- 122 BubbleMassage airjets
- With Zones of Control™ feature
- Eight Flexjet® whirlpool jets
- Variable speed pump with 1.5 kW heater and back-lit user control
- Molded lumbar support for comfort
- Reversible drain
- Less all trim
- 66" (1676 mm) x 32" (813 mm) x 22" (559 mm)

BUBBLEMASSAGE™ WHIRLPOOL BATH K-1822-XH2G



Codes/Standards Applicable

Specified model meets or exceeds the following:

- ASTM E162
- ASTM E662
- UL 1795
- CSA B45.5/IAPMO Z124
- CSA C22.2 No 218.2
- ASME A112.19.7/CSA B45.10

Colors/Finishes

- 0: White
- CP: Polished Chrome
- PB: Vibrant® Polished Brass
- NA: None applicable
- Other: Refer to Price Book for additional colors/finishes

Specified Model

Model	Description	Colors/Finishes		
K-1822-XH2G	BubbleMassage whirlpool bath	<input type="checkbox"/> 0	<input type="checkbox"/> Other_____	
Required Accessories				
K-7271	Clearflo slotted overflow brass bath drain OR	<input type="checkbox"/> CP	<input type="checkbox"/> PB	<input type="checkbox"/> Other_____
K-7272	Clearflo slotted overflow bath drain – PVC pipe	<input type="checkbox"/> CP	<input type="checkbox"/> PB	<input type="checkbox"/> Other_____
Optional Accessories				
K-550	Under-mount kit			<input type="checkbox"/> NA
K-1491	Pillow	<input type="checkbox"/> 0	<input type="checkbox"/> Other_____	
K-1601	Footstop	<input type="checkbox"/> 0	<input type="checkbox"/> Other_____	
K-9498	3" (76 mm) whirlpool keypad trim	<input type="checkbox"/> CP	<input type="checkbox"/> PB	<input type="checkbox"/> Other_____

Product Specification

The acrylic BubbleMassage whirlpool bath shall be 66" (1676 mm) in length, 32" (813 mm) in width, and 22" (559 mm) in height. Bath shall be for drop-in or under-mount installation. Bath shall feature slotted overflow for maximum bathing depth. Bath shall have a blower motor with 300 W heater and electronic user and back-lit user control. Bath shall have variable speed pump with 1.5 kW heater and back-lit user control. Bath shall have 122 BubbleMassage airjets and eight Flexjet whirlpool jets. Bath shall have Zones of Control feature. Bath shall feature molded lumbar support for comfort, and reversible drain. Bath shall be less all trim. Bath shall be Kohler Model K-1822-XH2G-_____.

UNDERSCORE®

Technical Information

Fixture: Approx. measurements for comparison only.			
Bathing well:			
Basin area, bottom	44-1/2" (1130 mm) x 22-5/16" (567 mm)		
Basin area, top	59-5/8" (1514 mm) x 25-1/2" (648 mm)		
Weight	172 lbs (78 kg)		
Water depth	18" (457 mm) to overflow		
Capacity	85.8 gal (325 L) to overflow		
	V	Hz	A
Blower - variable speed	220-240	50/60	5
Pump heater - variable speed	220-240	50/60	11
Drop-in cutout	65-1/2" (1664 mm) x 31-1/2" (800 mm)		

Required Electrical Service

Single dedicated circuit required, protected with Class A Ground-Fault Circuit-Interrupter (GFCI) or Residual Current Device (RCD):

Blower/pump/heater	220-240 V, 20 A, 50/60 Hz
--------------------	---------------------------

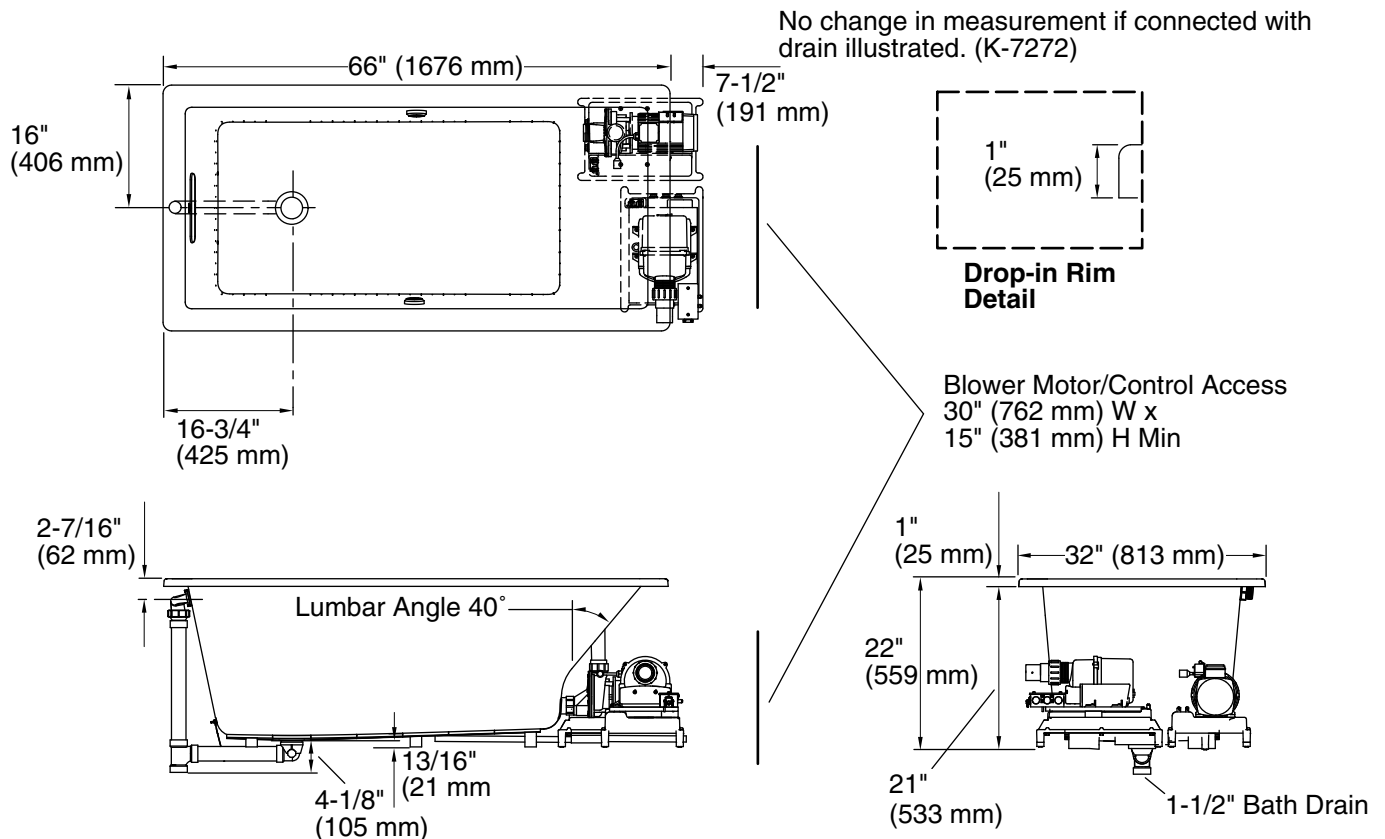
Installation Notes

IMPORTANT! Install this product according to the installation guide. The pump base extends 7-1/2" (191 mm) beyond the edge of the rim. Modify the framing as needed.

IMPORTANT! Dry fit the drain assembly prior to installing the bath. The bath cannot be installed with all drain components attached.

Floor support under bath must provide for a minimum of 61.5 lbs/square foot (300.3 kg/square meter) loading.

Hot water supply should be 70% of capacity or greater. Installations will vary.



Product Diagram