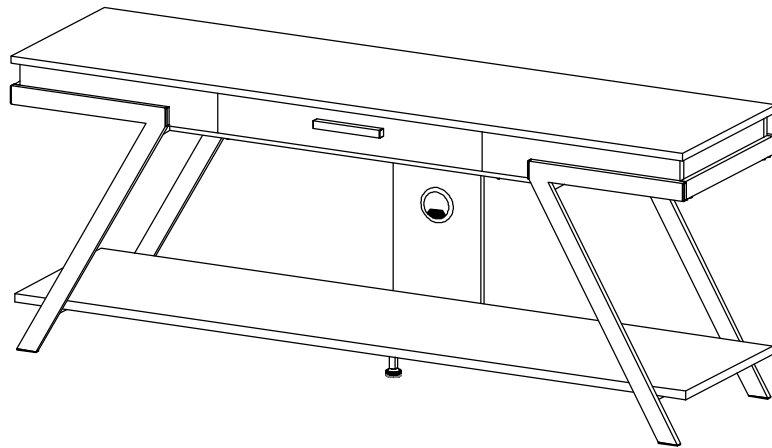


ASSEMBLY INSTRUCTIONS



Fine Furniture for every stage of life

ASSEMBLY INSTRUCTIONS

ASSEMBLY TIPS:

1. Remove hardware from box and sort by size.
2. Please check to see that all hardware and parts are present prior to start of assembly.
3. Please follow attached instructions in the same sequence as numbered to assure fast & easy assembly.

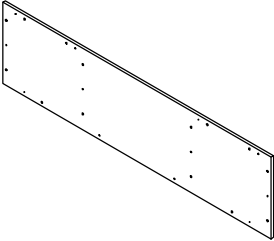
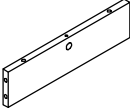
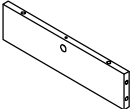
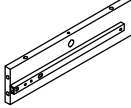
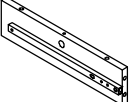


WARNING!

1. Don't attempt to repair or modify parts that are broken or defective. Please contact the store immediately.
2. This product is for home use only and not intended for commercial establishments.

ASSEMBLY TIME 90 MINUTES

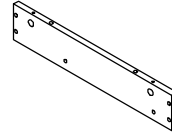
PARTS IDENTIFICATION

A	TOP PANEL		1PC
B	LEFT PANEL		1PC
C	RIGHT PANEL		1PC
D	LEFT MIDDLE PANEL		1PC
E	RIGHT MIDDLE PANEL		1PC

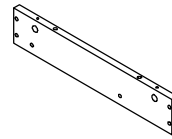
ASSEMBLY INSTRUCTIONS

PARTS IDENTIFICATION

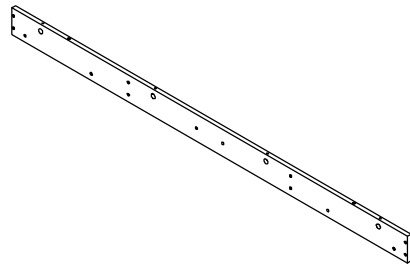
F LEFT FRONT PANEL 1PC



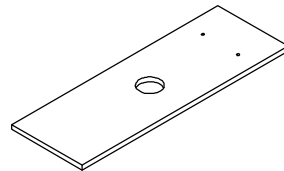
G RIGHT FRONT PANEL 1PC



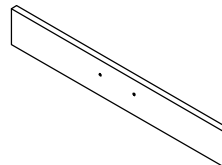
H BACK PANEL 1PC



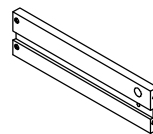
I BACK SUPPORT PANEL 1PC



J DRAWER FRONT PANEL 1PC



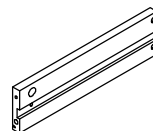
K DRAWER LEFT PANEL 1PC



ASSEMBLY INSTRUCTIONS

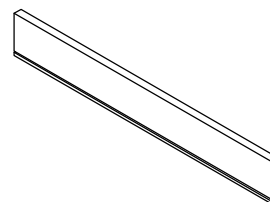
PARTS IDENTIFICATION

L DRAWER RIGHT PANEL



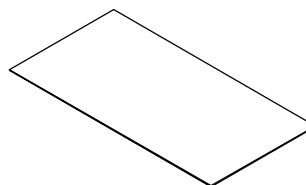
1PC

M DRAWER BACK PANEL



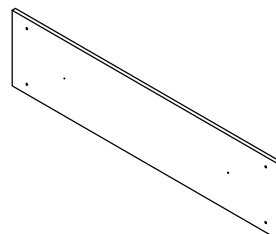
1PC

N DRAWER BOTTOM PANEL



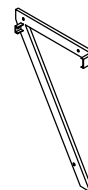
1PC

O SHELF PANEL



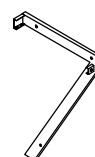
1PC

P LEG 1



2PCS

Q LEG 2

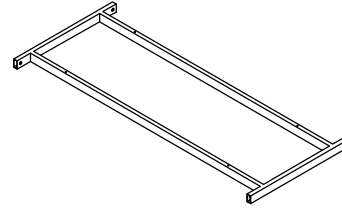


2PCS

ASSEMBLY INSTRUCTIONS

R

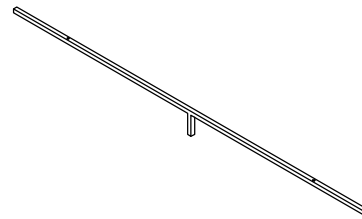
MIDDLE FRAME



1PC

S

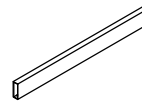
SUPPORT CROSSBAR



1PC

T

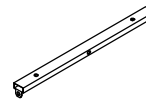
TOP CROSSBAR



2PCS

U

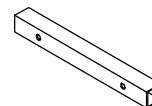
BOTTOM CROSSBAR



2PCS

V

HANDLE



1PC

A1

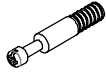





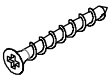











COVER



1PC

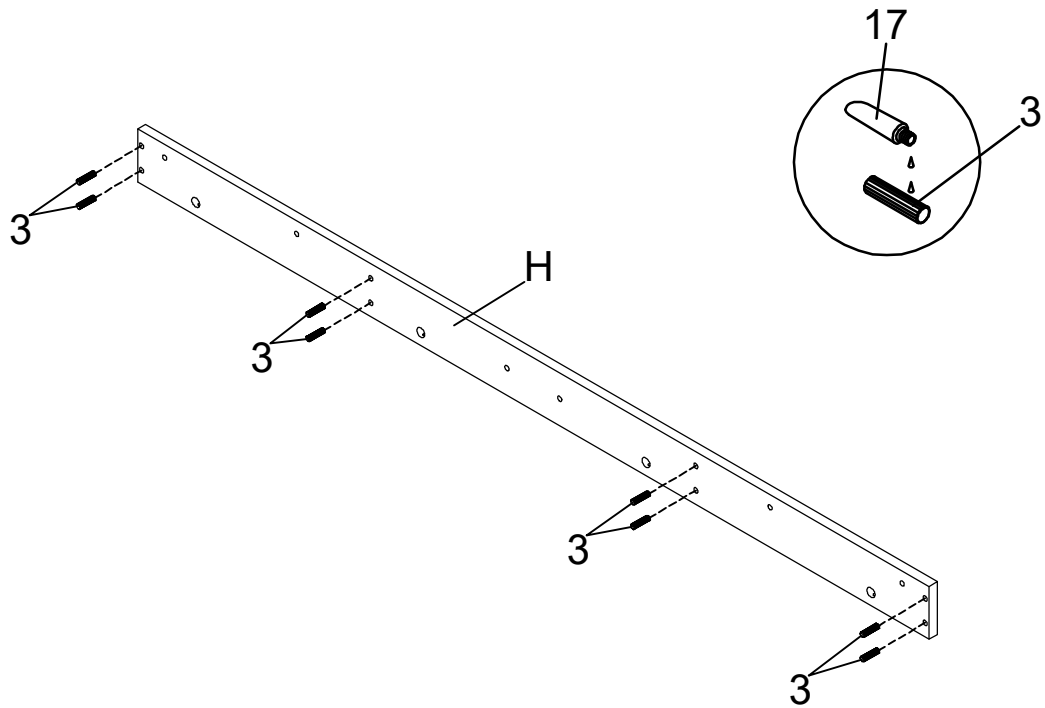
ASSEMBLY INSTRUCTIONS

HARDWARE IDENTIFICATION

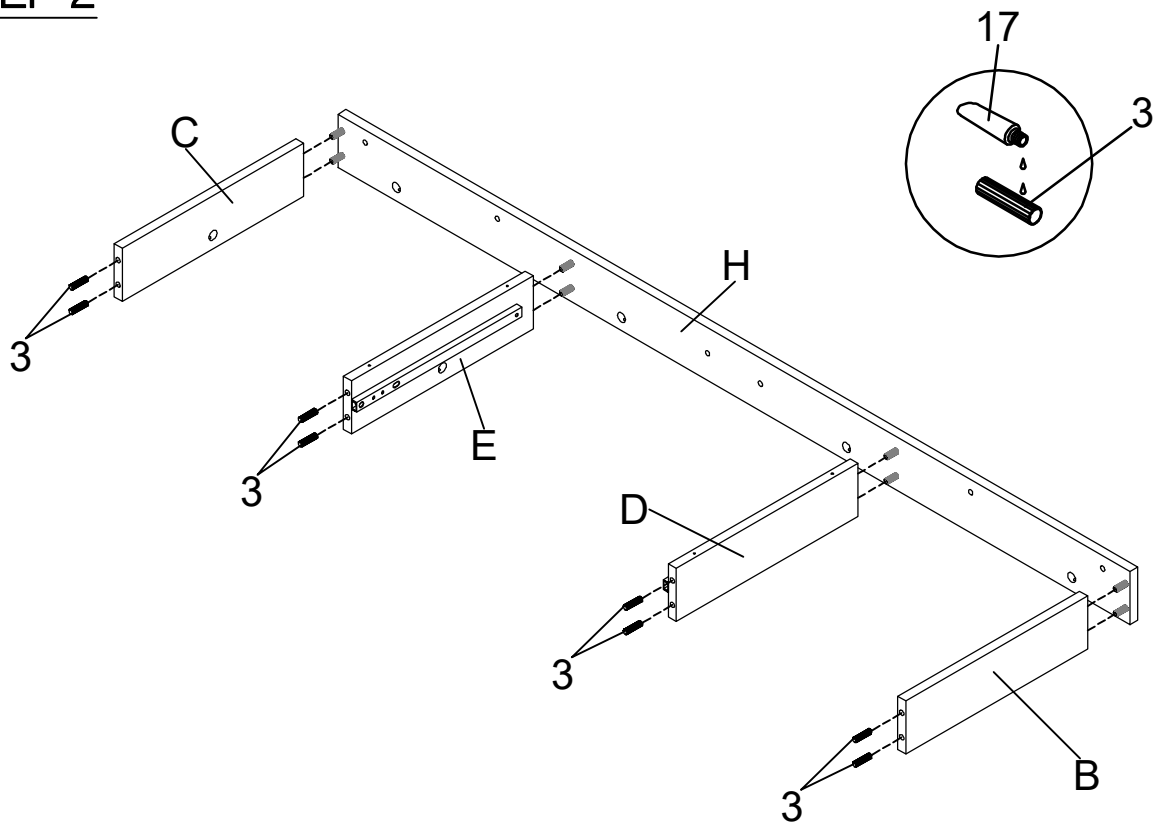
1	CAM BOLT (38mm)		14PCS	10	MEDIUM BOLT (1/4" x 22mm SR)		14PCS
2	CAM LOCK (ϕ 15mm SR)		14PCS	11	LONG BOLT (1/4" x 47mm SR)		2PCS
3	WOOD DOWEL (8 x 30mm)		32PCS	12	COARSE THREADED BOLT		2PCS
4	WOOD SCREW (8 x 38mm GD)		4PCS	13	LEVELER (1/4" x 12mm)		2PCS
5	HANDLE BOLT (5/32" x 22mm SR)		2PCS	14	HANDLE CAP (16 x 16mm SR)		2PCS
6	SMALL BOLT (5/32" x 12mm SR)		2PCS	15	CAP (13 x 38mm SR)		8PCS
7	SCREW (4 x 25mm SR)		2PCS	16	BOTTOM CAP (13 x 38mm BLK)		4PCS
8	LONG SCREW (4 x 38mm SR)		4PCS	17	GLUE		1PC
9	SHORT BOLT (1/4" x 12mm SR)		16PCS	18	ALLEN WRENCH (4mm)		1PC

ASSEMBLY INSTRUCTIONS

STEP 1 Do not tighten until each step is completed or instructed.

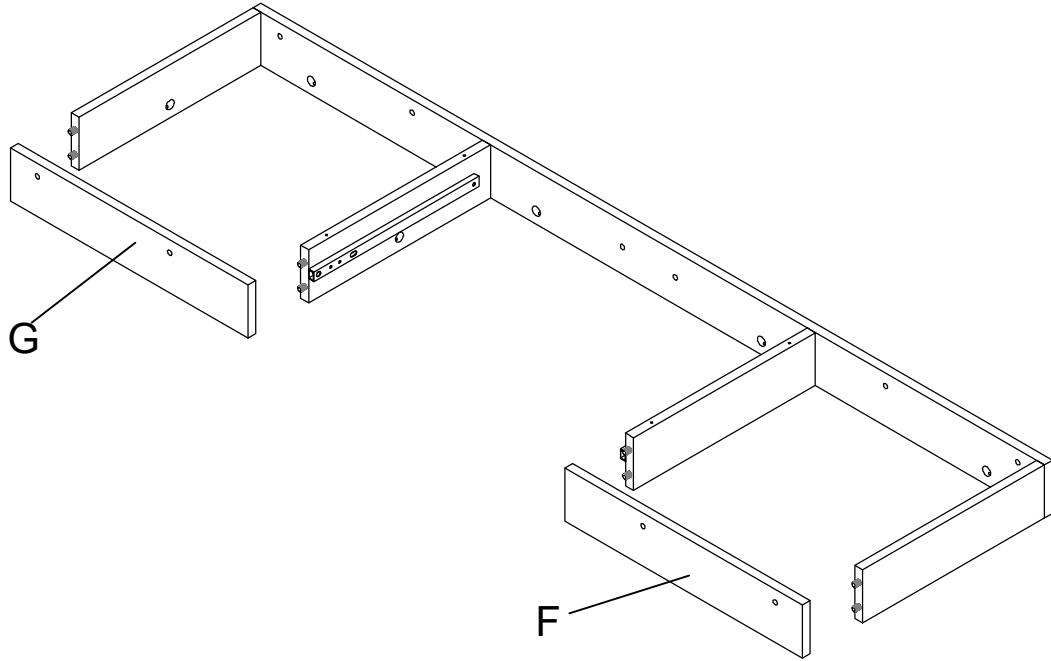


STEP 2

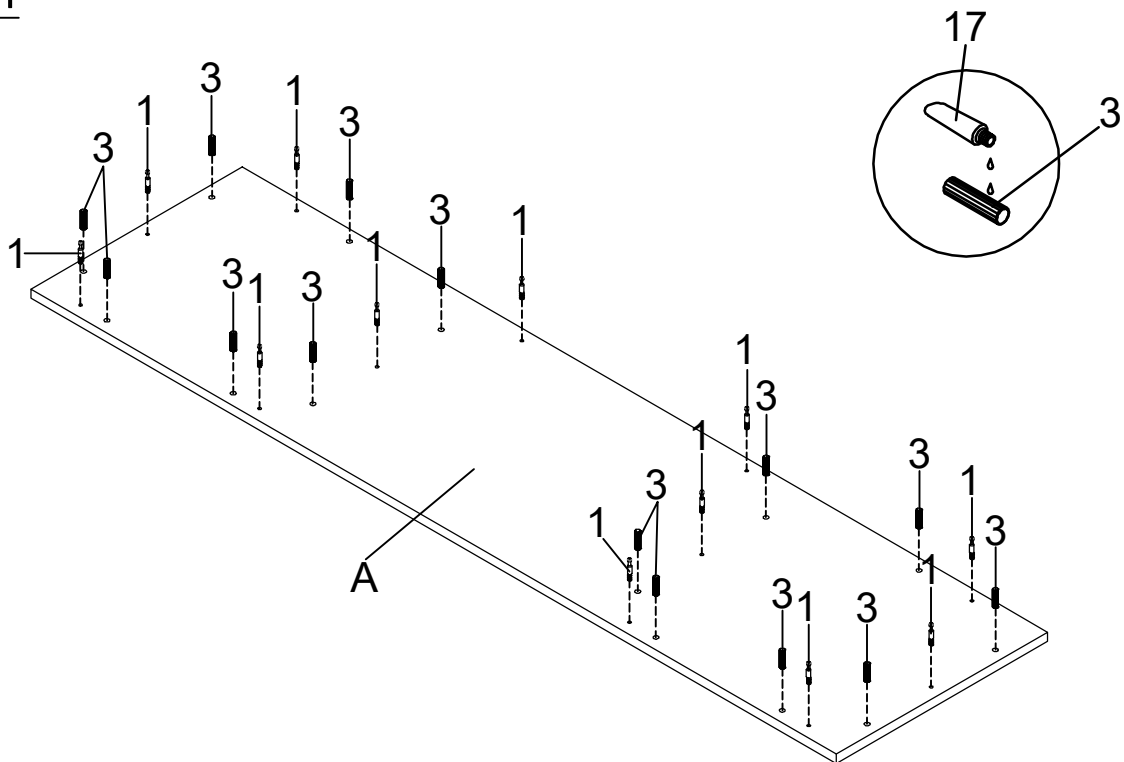


ASSEMBLY INSTRUCTIONS

STEP 3

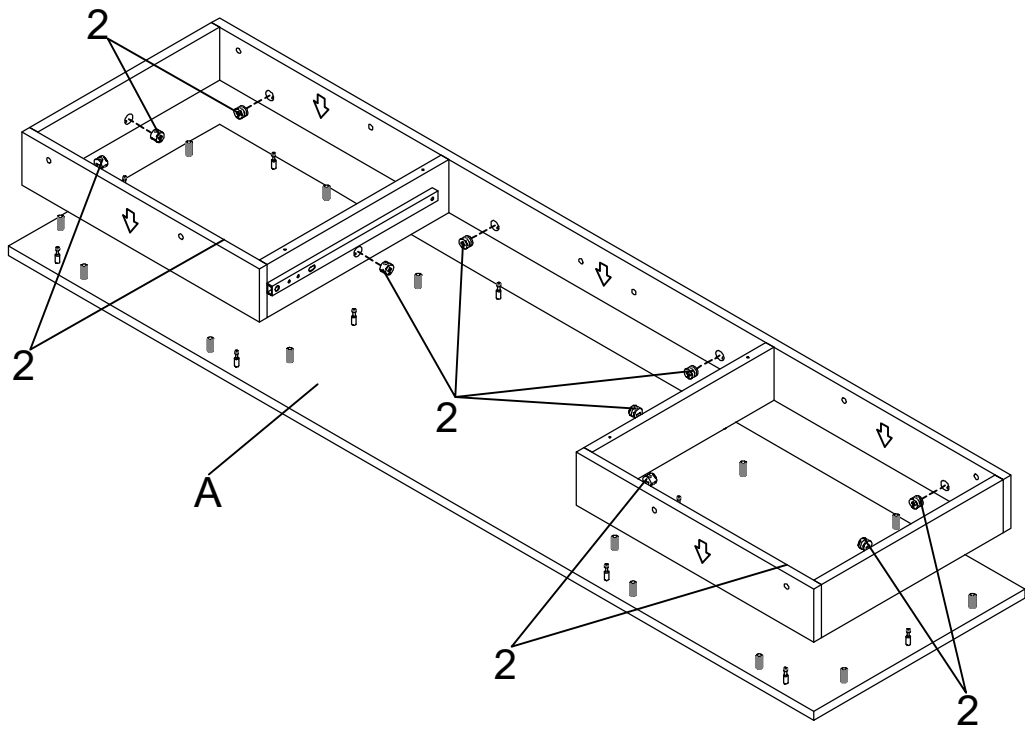


STEP 4

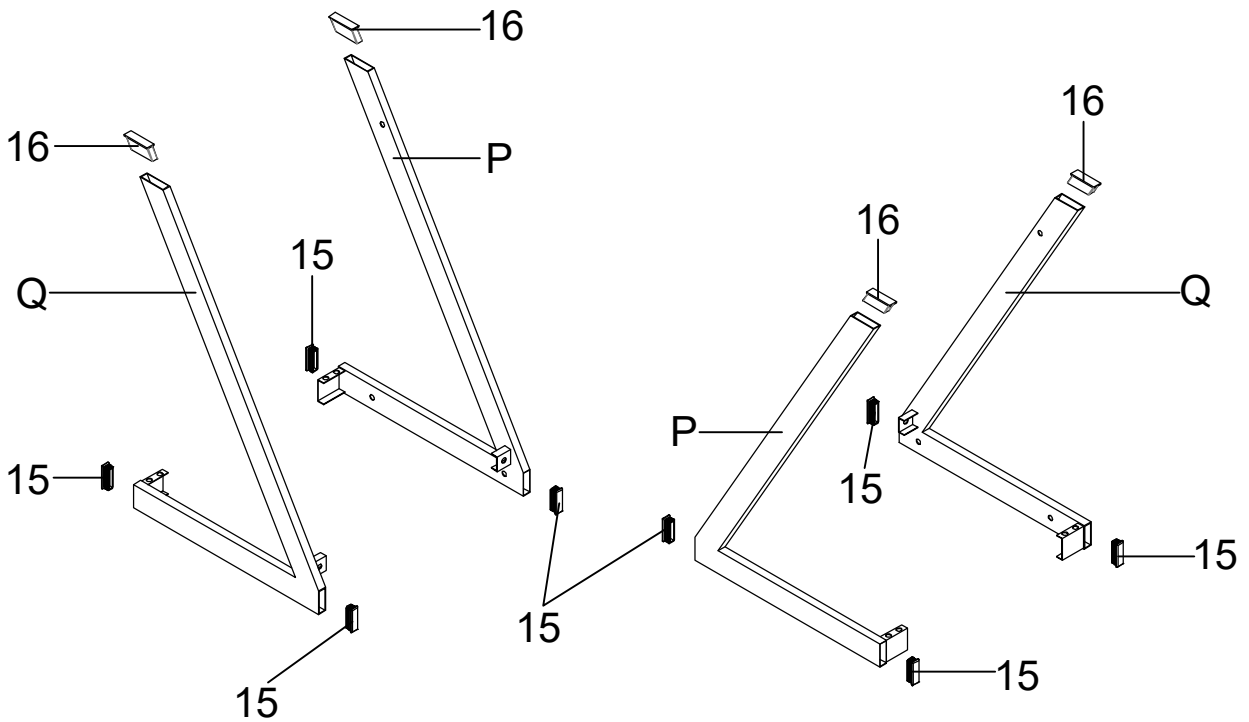


ASSEMBLY INSTRUCTIONS

STEP 5

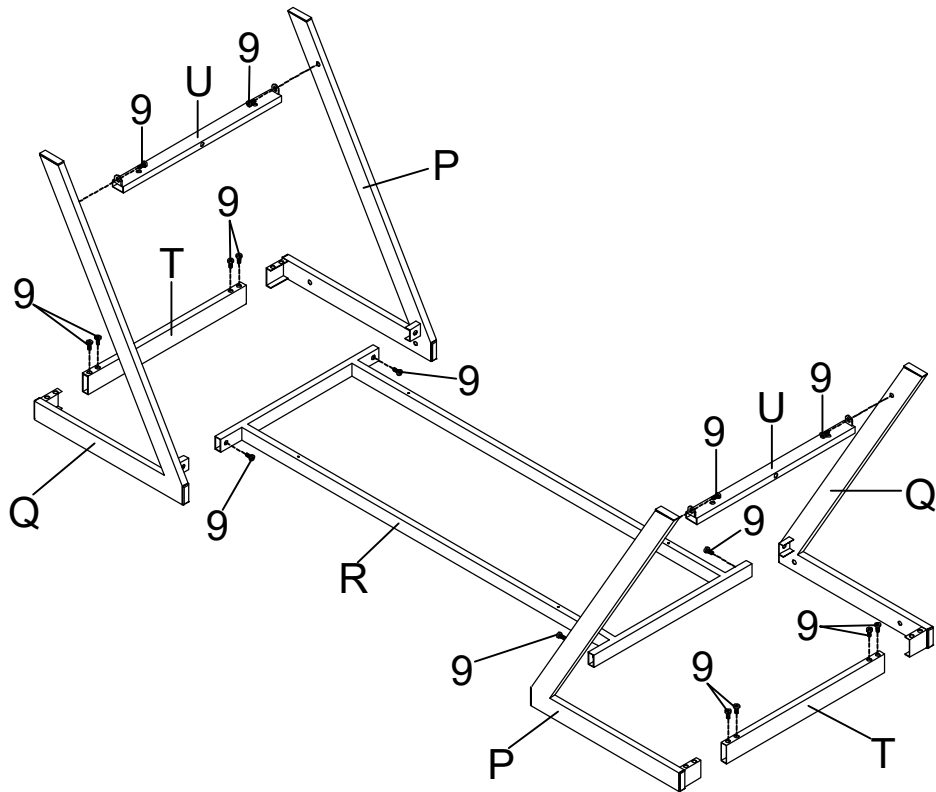


STEP 6

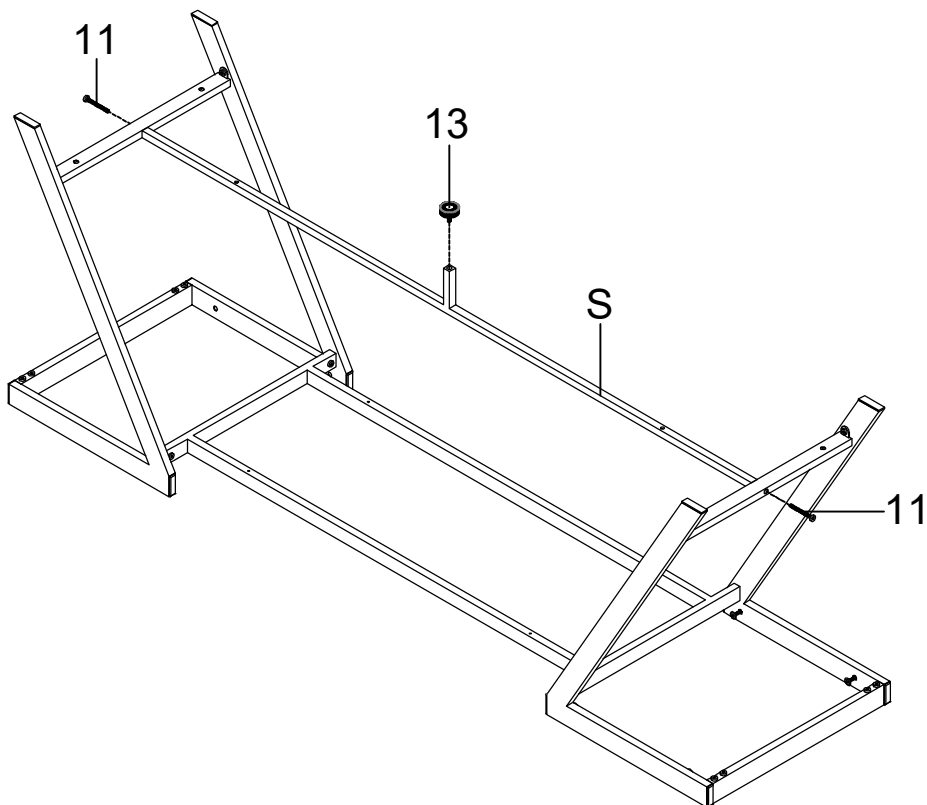


ASSEMBLY INSTRUCTIONS

STEP 7

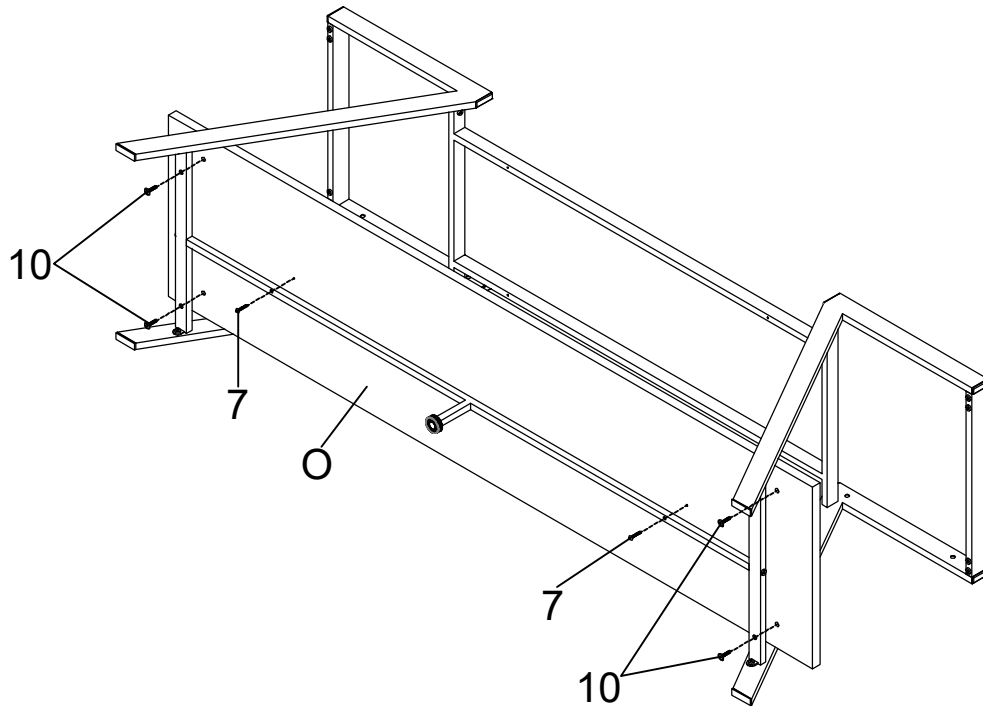


STEP 8

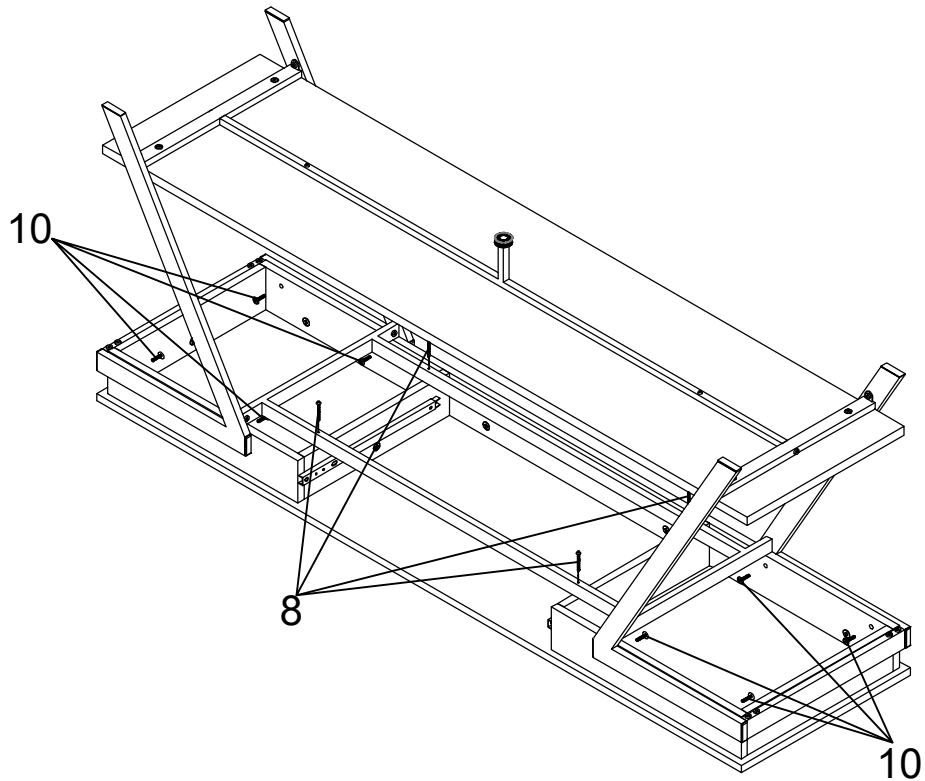


ASSEMBLY INSTRUCTIONS

STEP 9

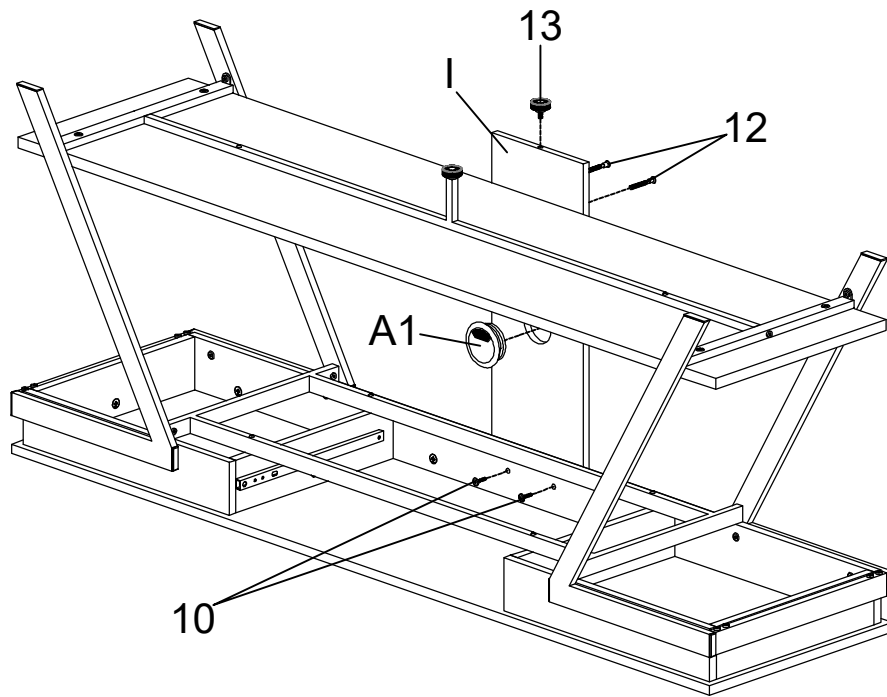


STEP 10

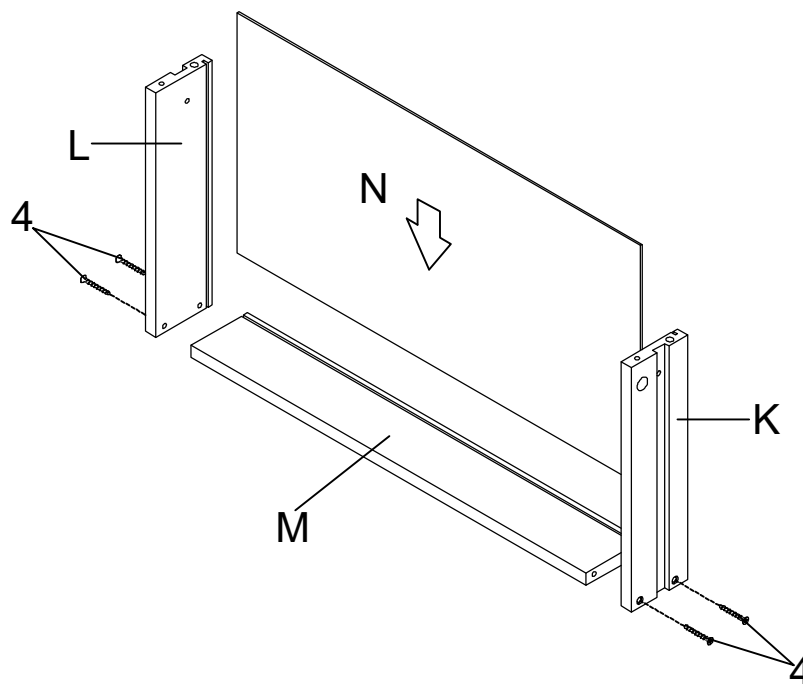


ASSEMBLY INSTRUCTIONS

STEP 11

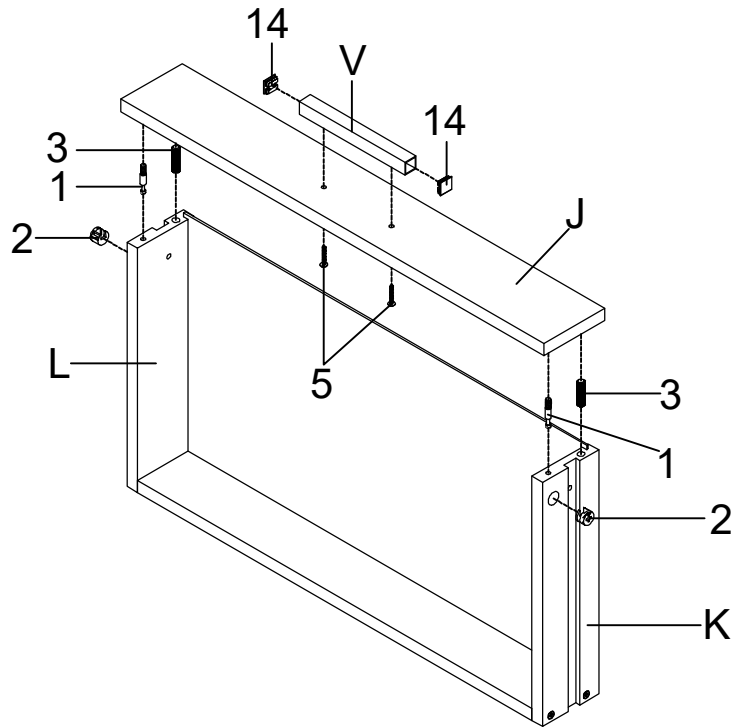


STEP 12

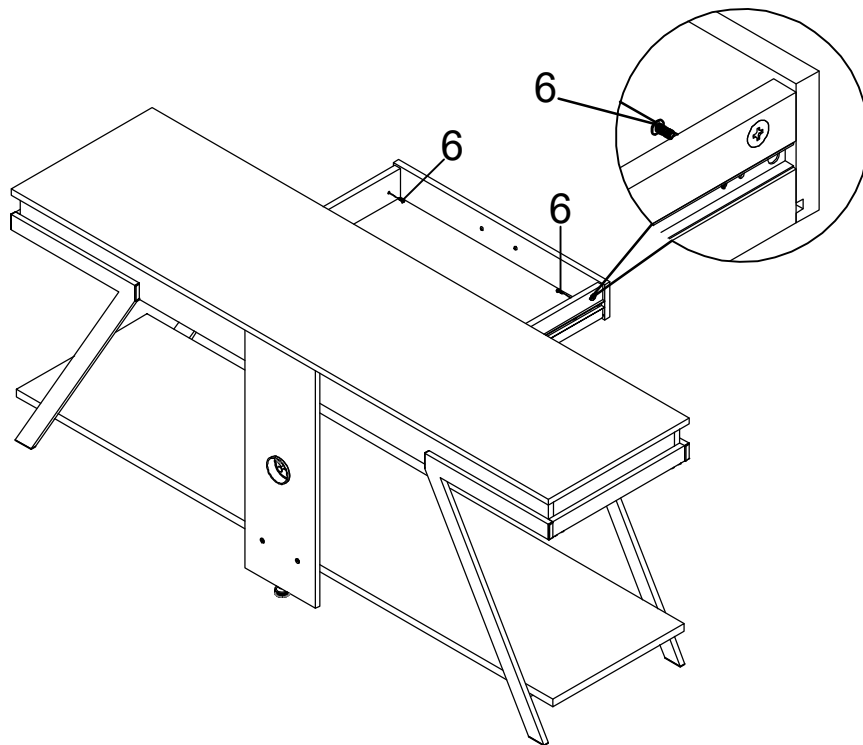


ASSEMBLY INSTRUCTIONS

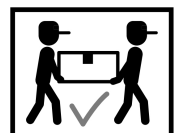
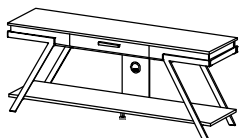
STEP 13



STEP 14

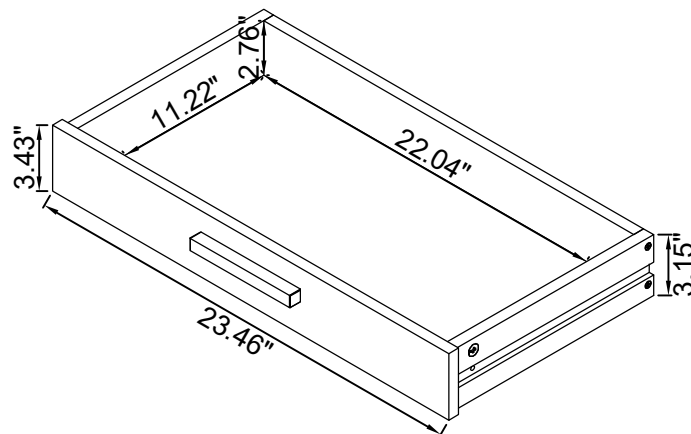
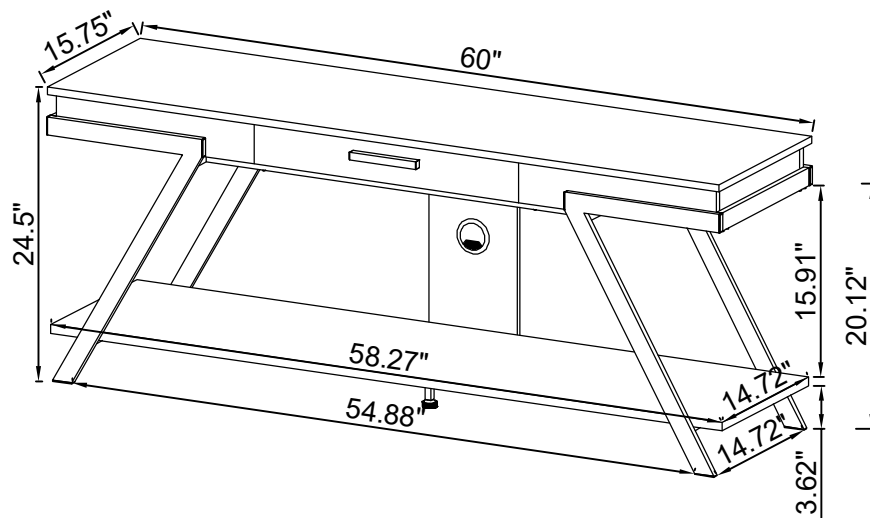


COMPLETE



ASSEMBLY INSTRUCTIONS

Product Size : 1524 X 400 X 622 H (MM)
Product Size : 60" X 15.75" X 24.5"



Note : Dimension tolerance $\pm 5\%$