

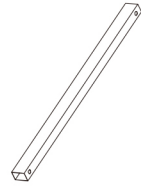
**A×2pcs**



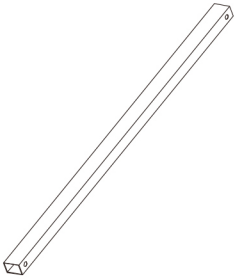
**B×2pcs**



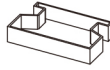
**C×4pcs**



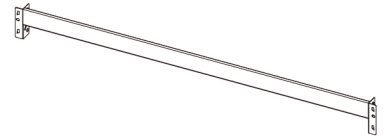
**D×2pcs**



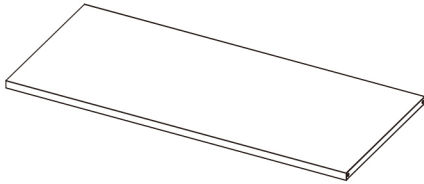
**E×8pcs**



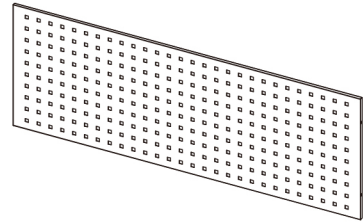
**F×4pcs**



**G×2pcs**



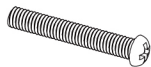
**H×1pcs**



**a×4pcs**



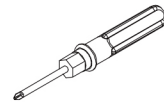
**b×12pcs**



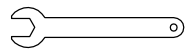
**c×16pcs**



**d×1pcs**

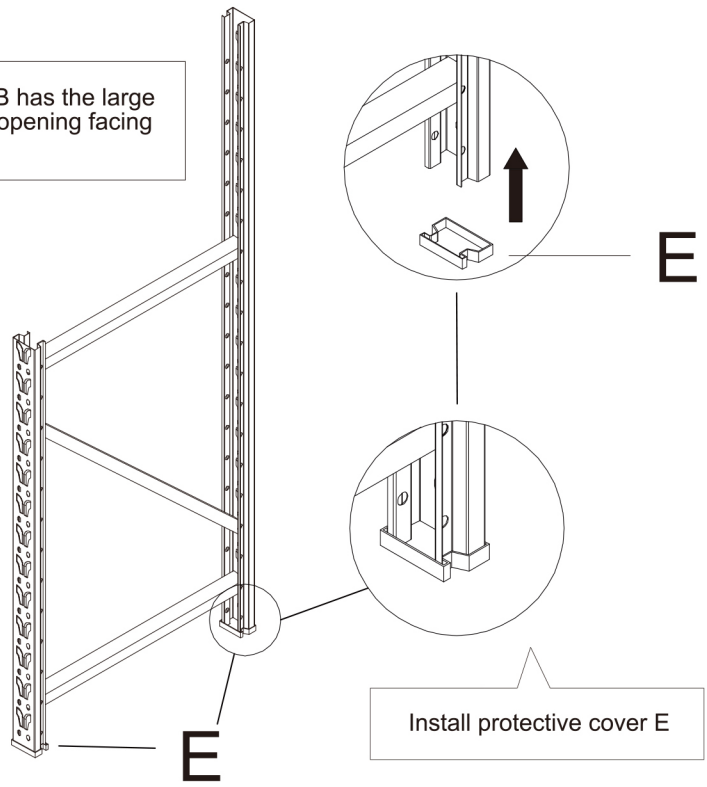
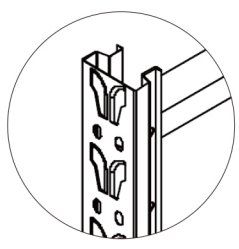


**e×1pcs**

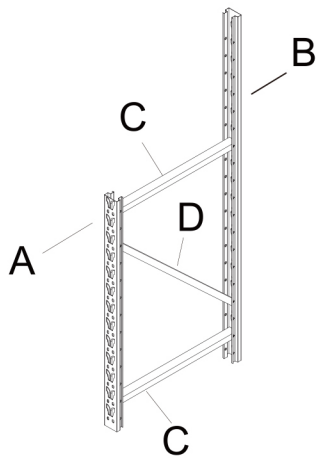


1

Note that the hoist hole in part A,B has the large opening facing up and the small opening facing down.

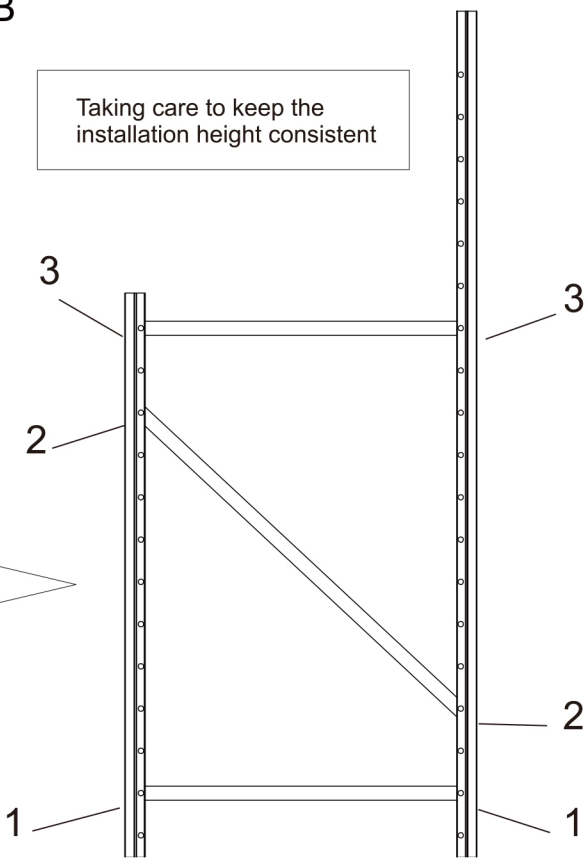


2

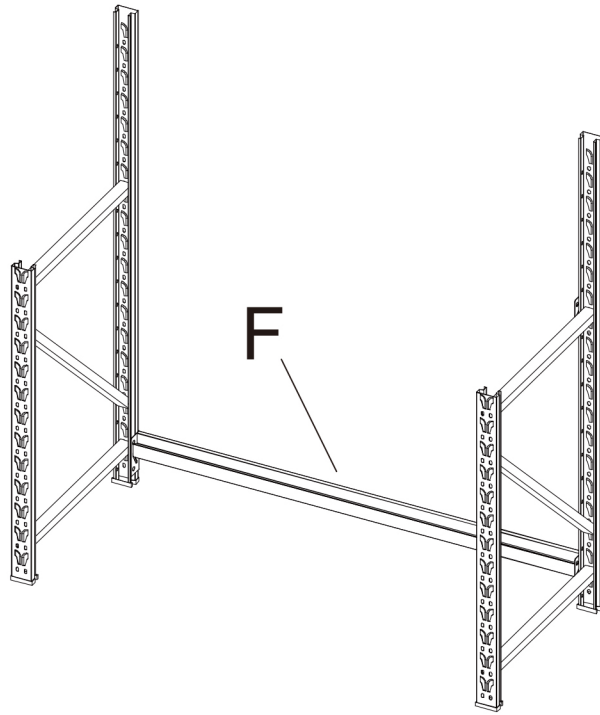


Taking care to keep the installation height consistent

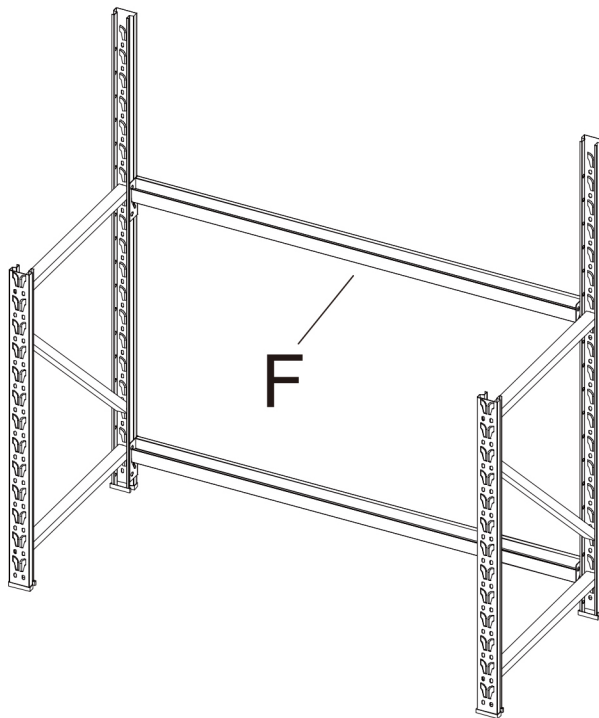
  
Please install according to the hole positions shown in the diagram.



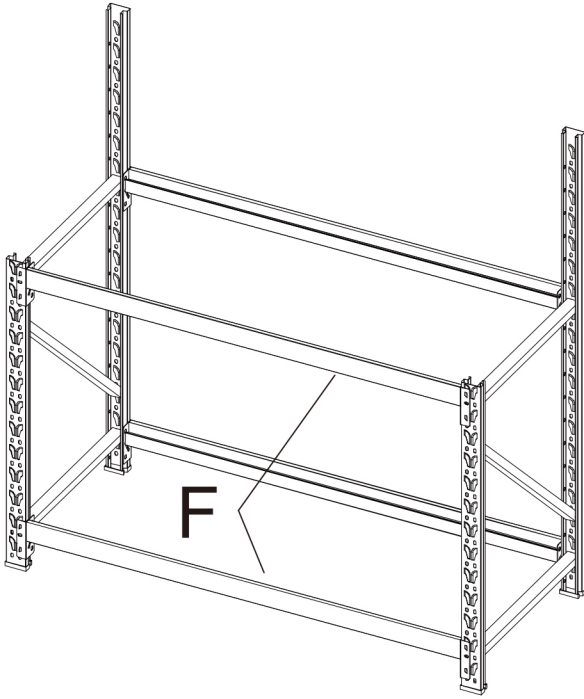
3



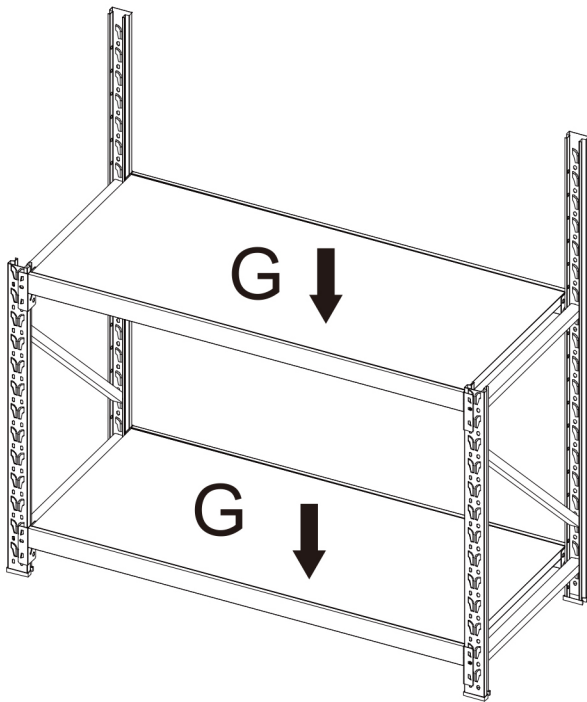
4



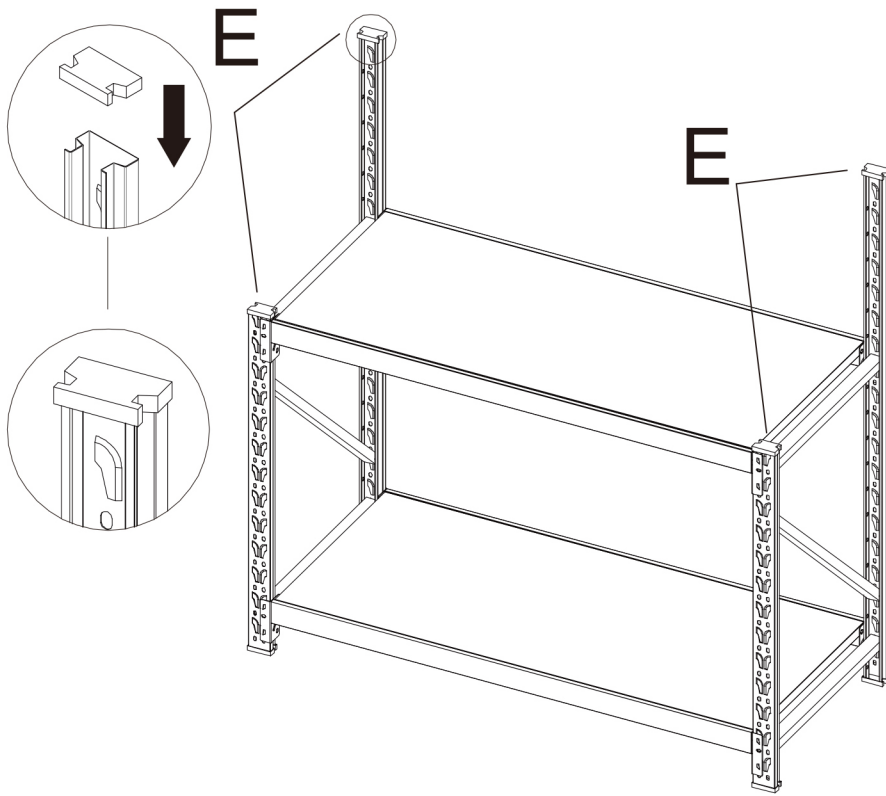
5



6



7



8

