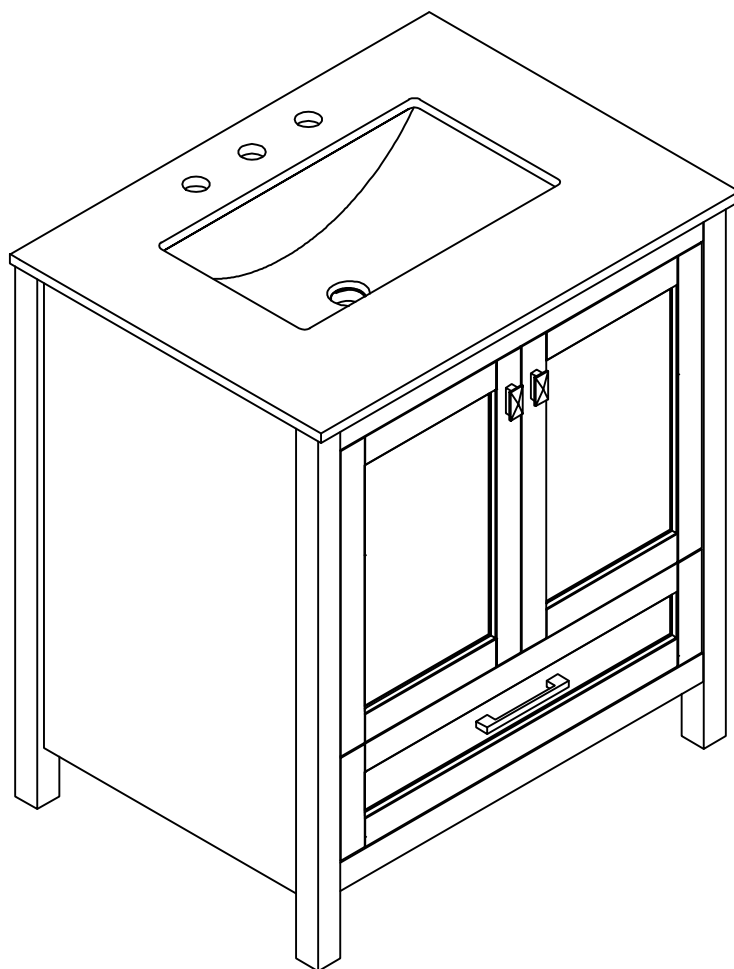


INSTRUCTION MANUAL

BATHROOM VANITY



BEFORE YOU BEGIN

1. Please read these instructions carefully to familiarize yourself with the required tools, materials, and installation sequences.
2. To avoid costly mistakes, please thoroughly follow the operating and safety instructions below.
3. All information in this manual is based on the latest product information available at the time of publication. We reserves the right to change product specifications, packaging, or availability at any time without notice.
4. Please carefully review the important care and cleaning guidelines at the end of this manual.

SAFETY WARNINGS

Our products are precision-engineered to provide superior and safe performance, provided the following guidelines are met:

1. They are installed, commissioned, operated, and maintained according to the recommendations in this manual.
2. To keep the product in good working order, periodic maintenance is necessary. Carefully inspect the new fixture for any signs of damage. When installing the products, follow the manufacturer's guidelines for power tool safety.

TOOLS REQUIRED (NOT SUPPLIED)



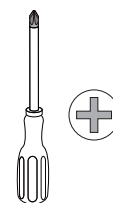
Spirit level



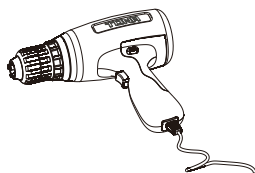
Ruler



Pencil



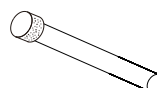
Screwdriver



Drill
(if needed)



Drill bit
(if needed)



Glass drill
(if needed)

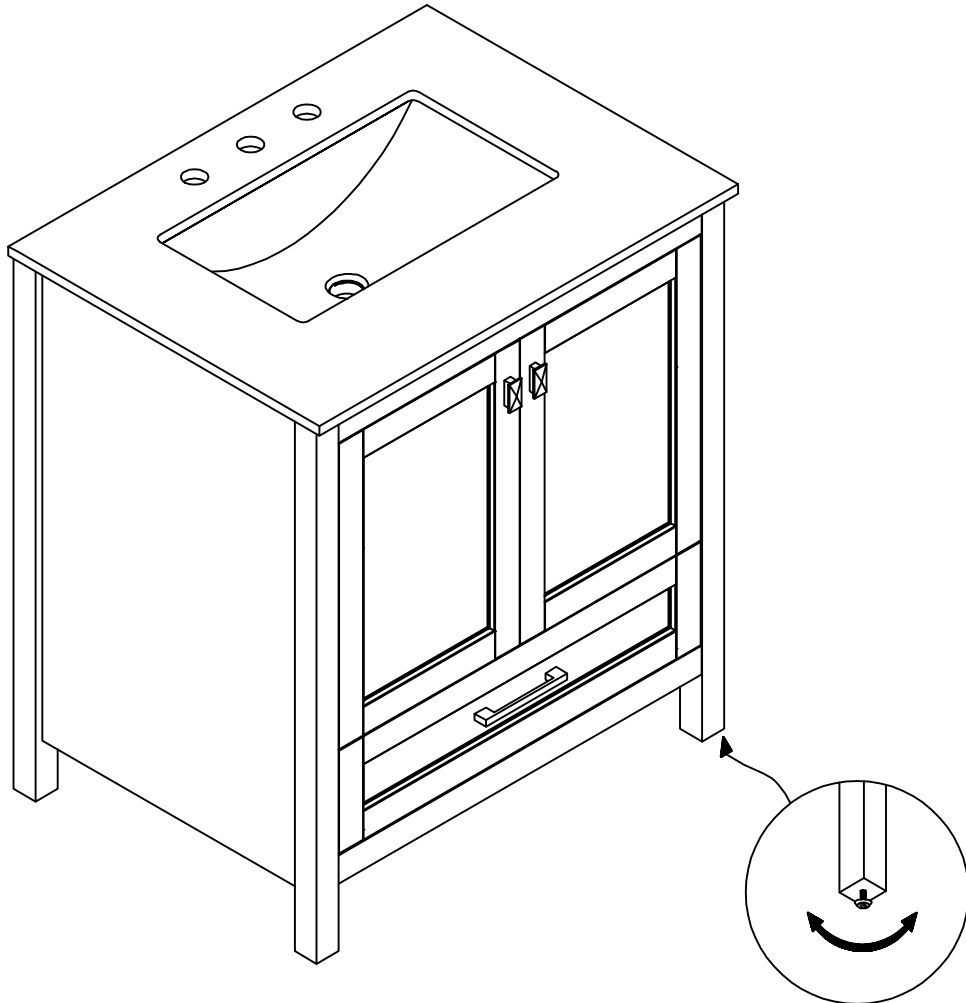


Masking tape
(if needed)

INSTALLATION INSTRUCTIONS

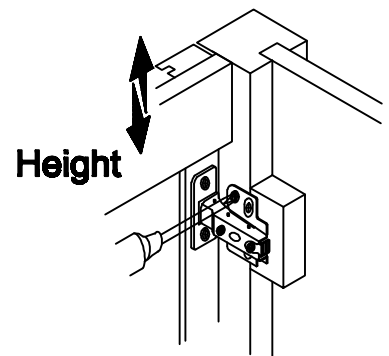
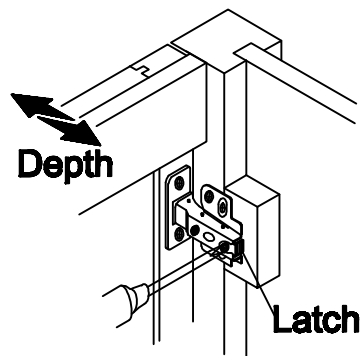
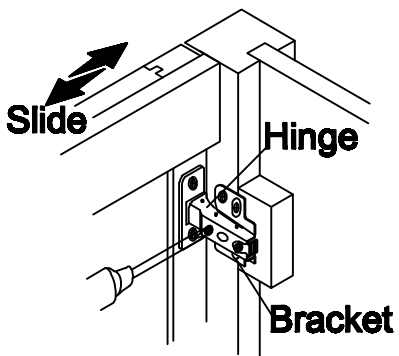
Freestanding Bathroom Vanity

Step 1: Leveling



Place the vanity in your desired location. Ensure the cabinet is level. If it's not, adjust the feet or use wooden shims as needed.

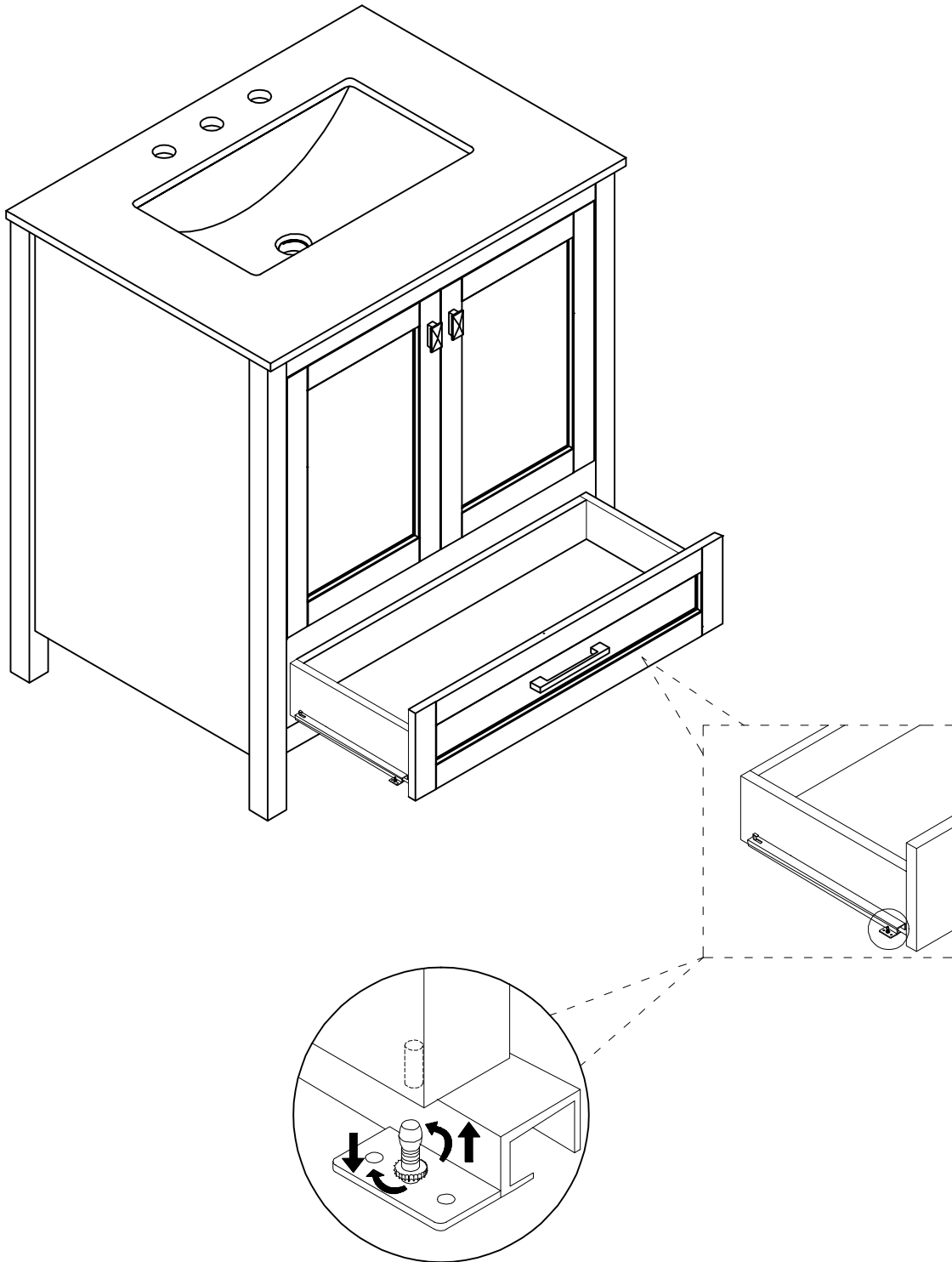
Adjust the cabinet doors (If any)



*Cabinets are shipped pre-assembled. Parts may be misaligned due to shipping. Adjust as needed.

INSTALLATION INSTRUCTIONS

Step 2: Adjust the Drawers



Adjust the drawers up and down

USER MAINTENANCE

Scratches and Cracks Treatment

Scratches or cracks are rare with our products. However, if you do notice any minor scratches or cracks, we recommend using a professional Sink Fiberglass Tub Repair Kit designed to match your countertop's color. Should you be uncertain about which kit to purchase, please contact our customer service team. We are here to assist you in selecting the right repair kit for a seamless and satisfactory fix.

How to Use the Repair Kit:

Step 1: Thoroughly clean the surface of the area to be repaired.

Step 2: Mix equal parts of A and B (1:1 ratio) according to the instructions provided.

Step 3: Stir the mixture for 3-5 minutes until it is fully blended and even.

Step 4: Apply the mixed product to the damaged area, spreading it evenly and smoothing it out.

Step 5: Allow the repair adhesive to cure for at least 2-3 hours. Once cured, use sandpaper to smooth the surface.

Step 6: After sanding, ensure that the surface is smooth and level.



Mixed A&B



Color matching



Paint



Smooth



Sanding



Done















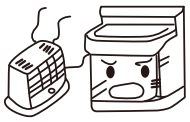









For substantial cracks or significant damage affecting usage, please contact our customer service team. We can offer a replacement based on the damage extent. Your satisfaction is our priority, and we are dedicated to providing excellent service.

Daily Maintenance

To extend the life of the product, please do the maintenance work every day. The following methods are for reference only.

- ☼ Please dry the cabinet immediately with clean, soft cloth when it encounters water.
- ☼ When the product is stained with dirt, wipe the cabinets clean with a soft, damp cloth, apply some cleaners, and dry immediately with another clean, soft cloth.
- ☼ The water supply pipes, the drainage pipes, and the connection parts are prone to water leakage under different circumstances. Please check these parts regularly to avoid accidents due to water leakage.
- ☼ After the product is used for a period of time, dirt will remain on the drain plug, which will affect drainage, so the plug needs to be cleaned regularly.

USER MAINTENANCE

<p>KEEP CABINET AWAY FROM WATER, which will cause deformation and damage.</p> <p>  </p> <p>CAUTION</p>	<p>DO NOT put lit cigarettes on the counter or basin, which will cause discoloration.</p> <p>  </p> <p>CAUTION</p>
<p>DO NOT pour acid or alkaline solutions into the basin, which will cause discoloration, leak or damage.</p> <p>  </p> <p>CAUTION</p>	<p>AVOID DIRECT SUNLIGHT, which may cause deformation and discoloration.</p> <p>  </p> <p>CAUTION</p>
<p>AVOID HEAT, which will cause deformation and discoloration.</p> <p>  </p> <p>CAUTION</p>	<p>DO NOT pour hot water into the basin, which may cause damage.</p> <p>  </p> <p>CAUTION</p>
<p>AVOID nylon brush, toilet cleaner or hydrochloric acid cleaner, which will cause damage</p> <p>  </p> <p>CAUTION</p>	<p>AVOID dropping hard objects into the basin, which may cause damage.</p> <p>  </p> <p>CAUTION</p>