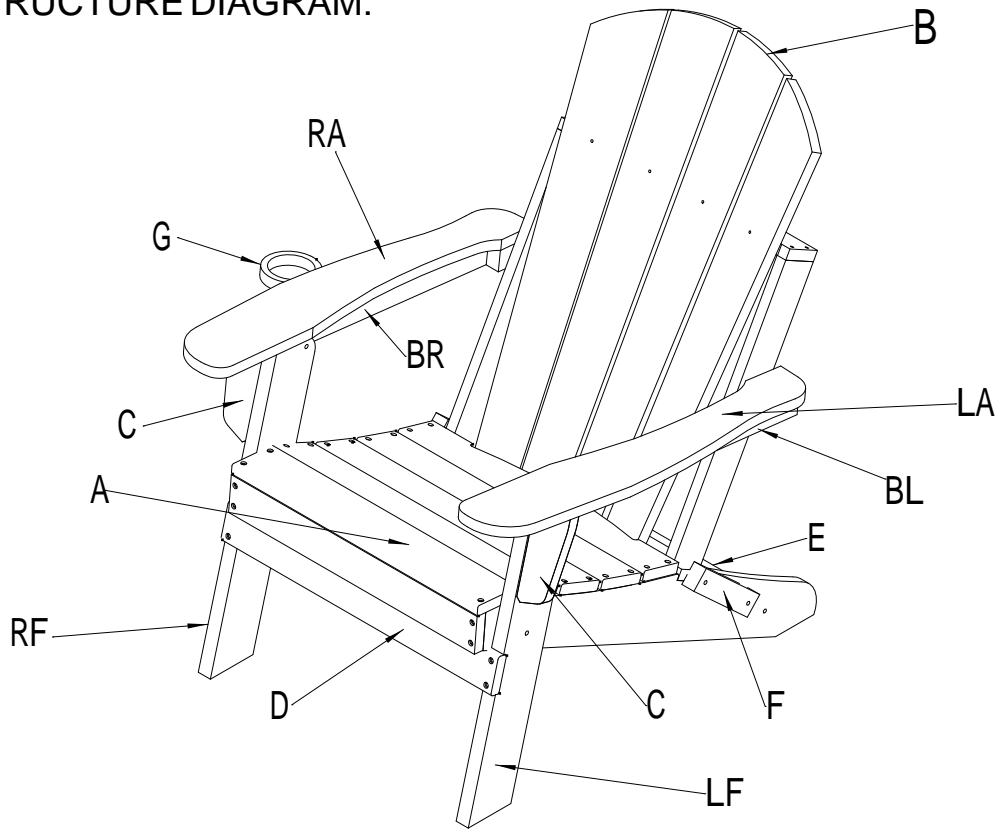


# ASSEMBLY INSTRUCTIONS MODEL PE2101F-CH-1

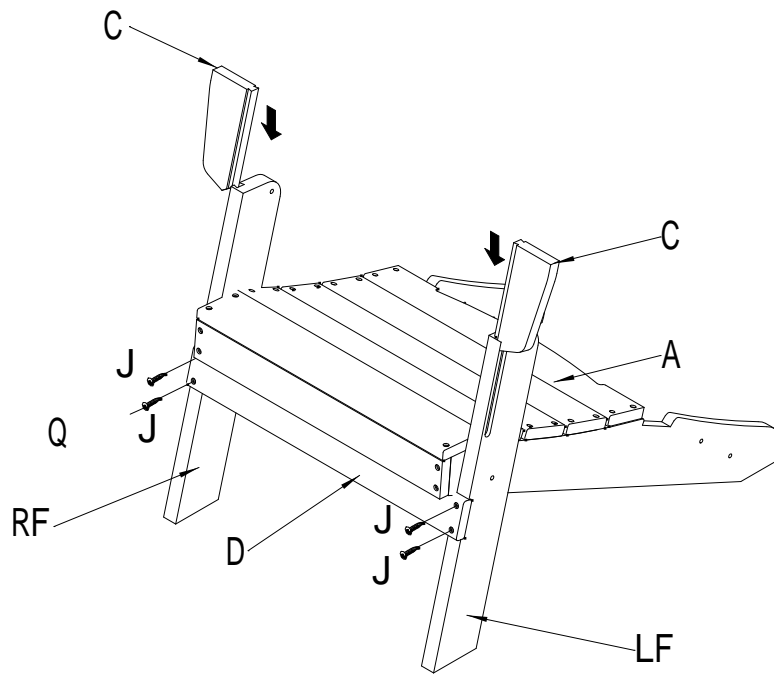
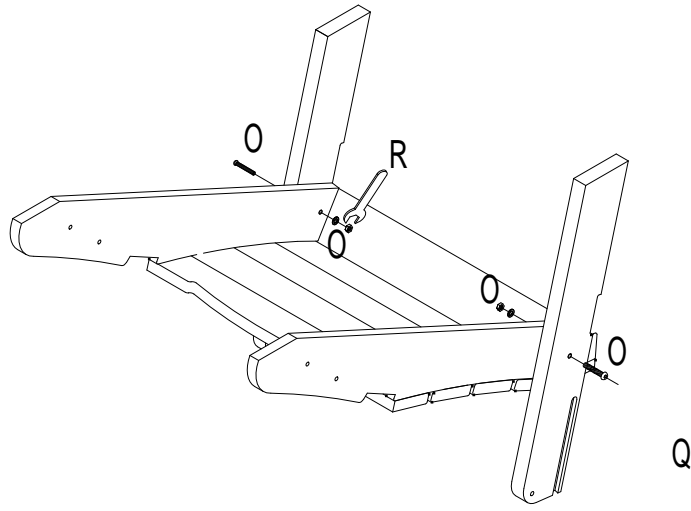
## STRUCTURE DIAGRAM:



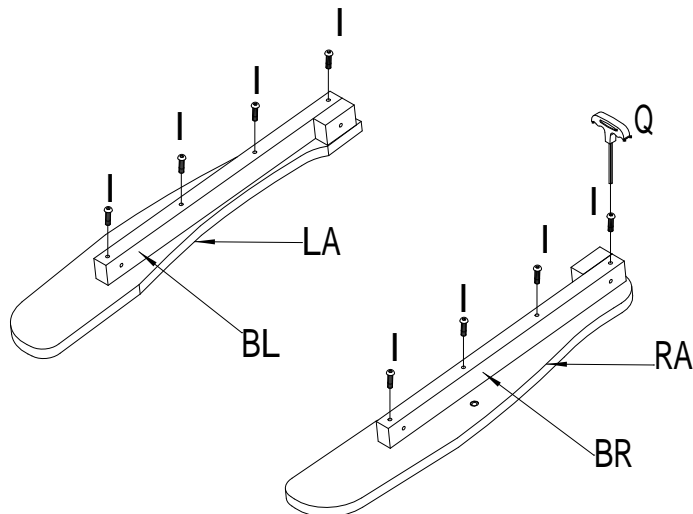
## CHAIR PARTS INCLUDED:

(A) Seat x 1 unit	(G) Drink holder x 1 unit
(B) Backrest x 1 unit	(I) 1.58" Bolt x 8 units
(LA) Left armrest x 1 unit	(J) 1.58" Screw x 4 units
(RA) Right armrest x 1 unit	(K) 2.36" Bolt With Washer & Nut x 2 sets
(BL) Left handrail reinforcement bar x 1 unit	(L) 2" Screw x 4 units
(BR) Right handrail reinforcement bar x 1 unit	(M) 3.15" Bolt With Washer & Nut x 2 sets
(LF) Left foot x 1 unit	(N) 2" Bolt With Washer & Nut x 2 sets
(RF) Right foot x 1 unit	(O) 2.17" Bolt With Washer & Nut x 2 sets
(C) Arm support x 2 units	(P) 1.18" Bolt With Washer x 1 sets
(D) Front Leg brace x 1 unit	(Q) T-Wrench x 1 unit
(E) Rear brace x 1 unit	(R) Nut Wrench x 1 unit
(F) Rotating plate x 2 units	

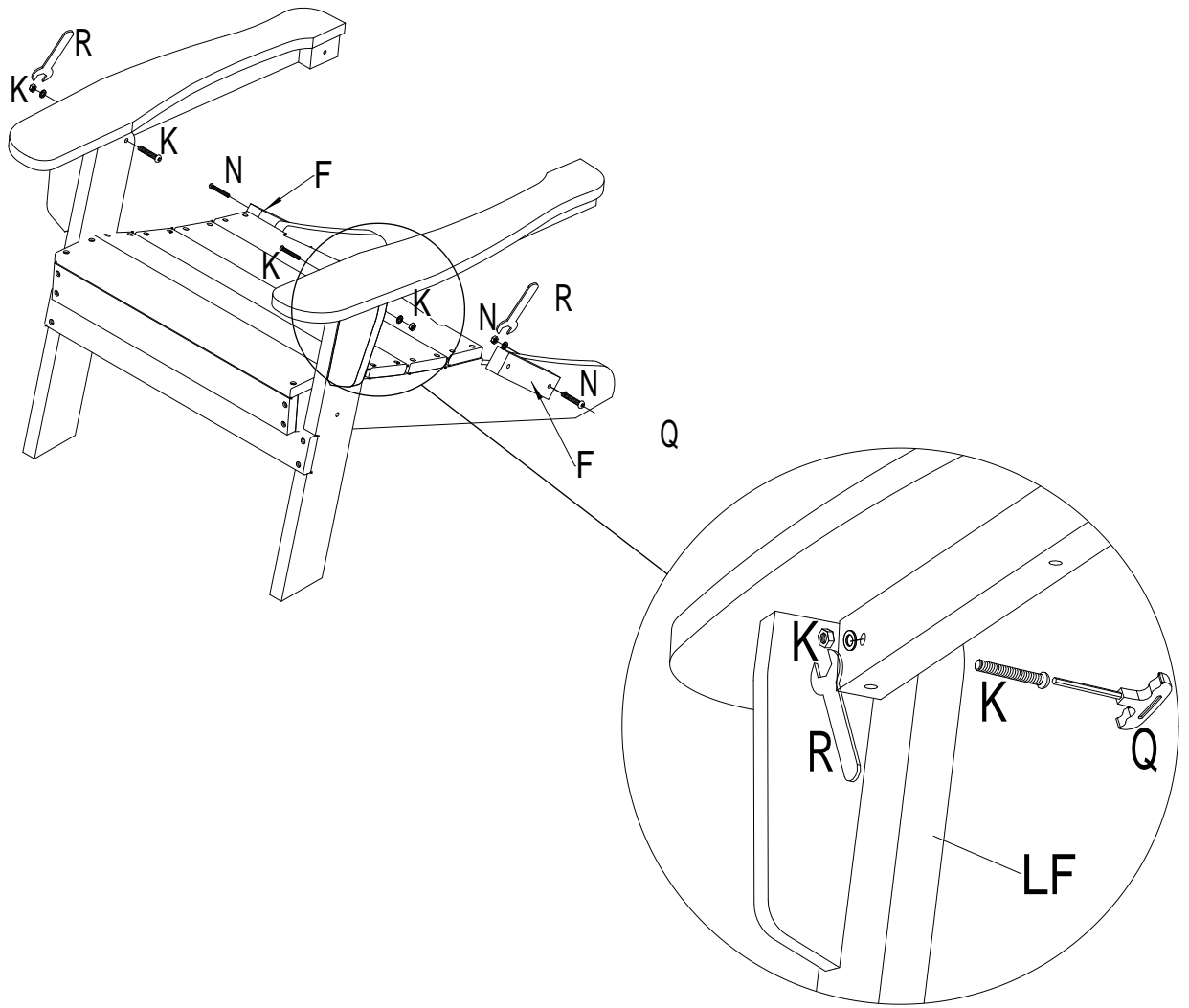
STEP 1:



STEP 2:



STEP 3:



STEP 4:

