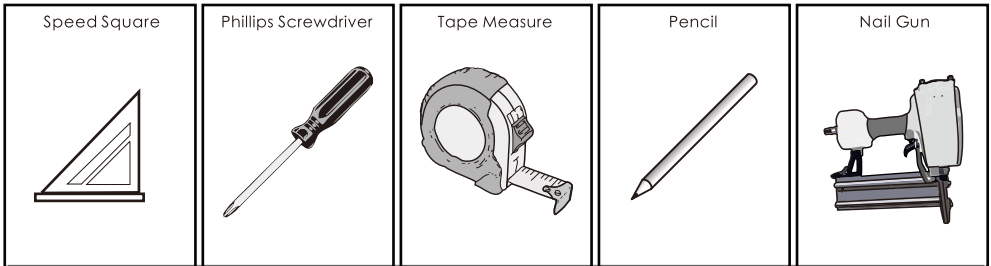
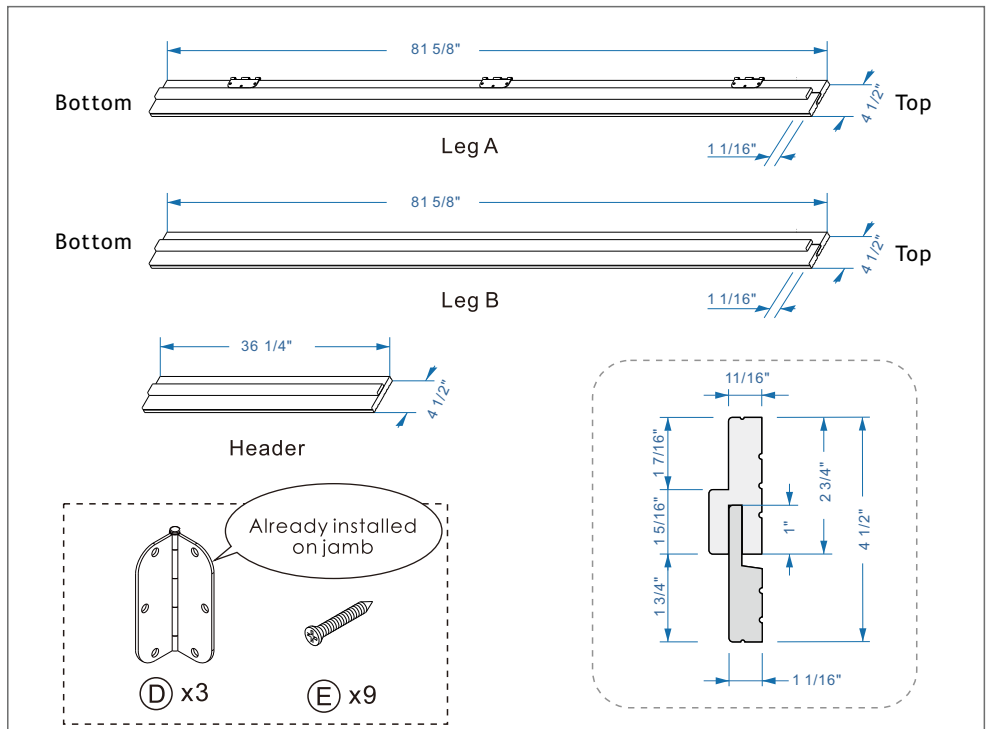


# DOOR FRAME SIZE & INSTALLATION

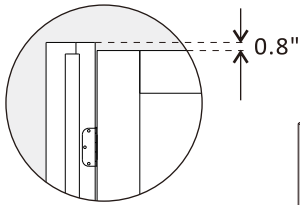
## Tools Required



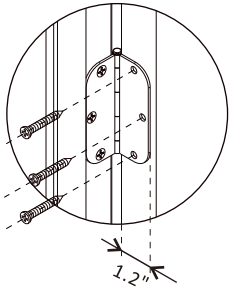
Includes two 81.65 in legs and a 36.22 in header



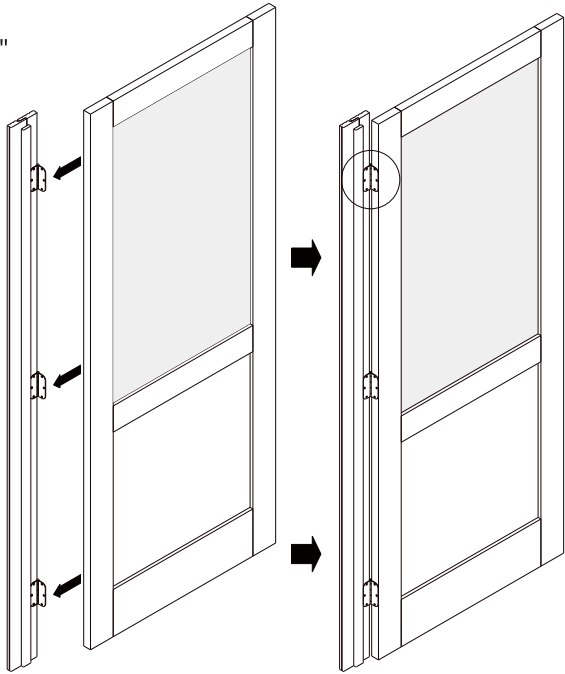
## Step ① Attach door to jamb



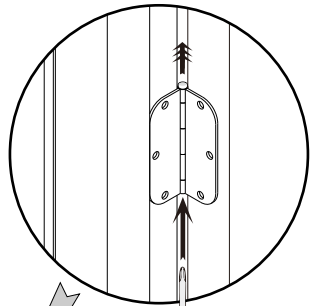
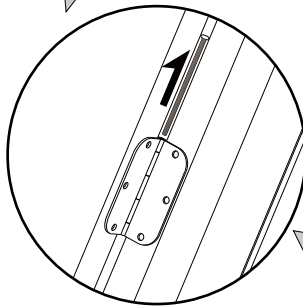
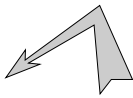
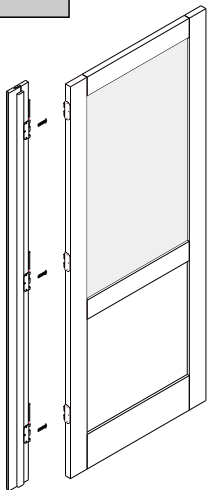
Pro tip: leave 0.8" from top of jamb to top of the door for upper jamb.



Pro tip: the edge of hinge should be 1.2" from the edge of door for enough room of door swing.



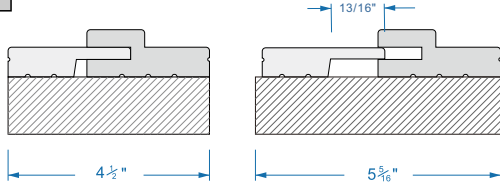
## Step ② Remove hinge needle to de-attach door and jamb



Pro tip: solid door is heavy and we advise you to install jamb alone and then door for safety. It's easy to re-attach door with half hinge back in later step.

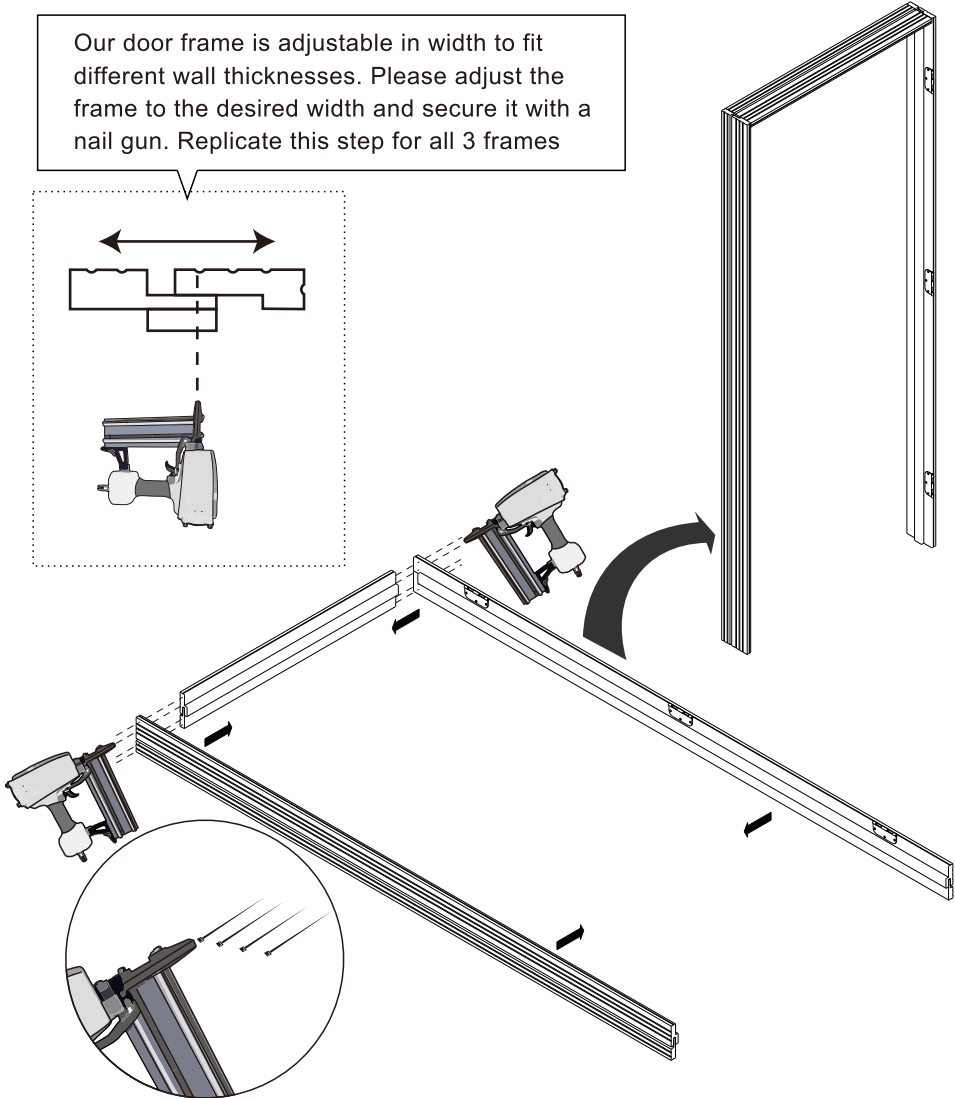
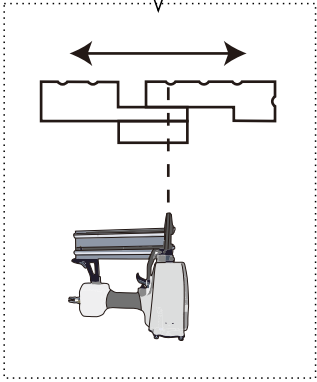
Step ③

Assemble door frame with nail gun



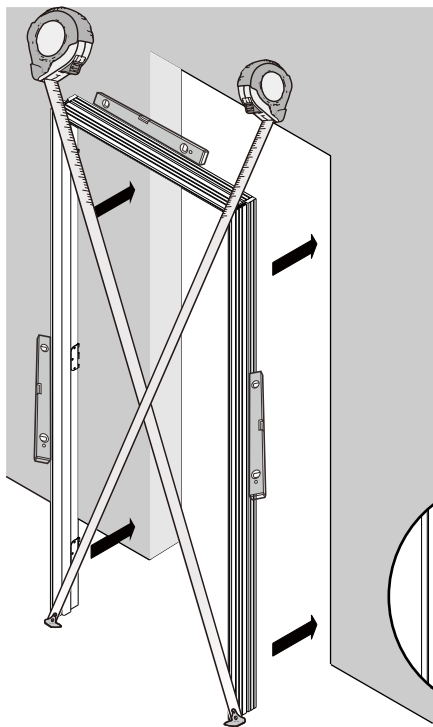
Suitable for  
4 1/2 in-5 5/16  
in wall thickness

Our door frame is adjustable in width to fit different wall thicknesses. Please adjust the frame to the desired width and secure it with a nail gun. Replicate this step for all 3 frames

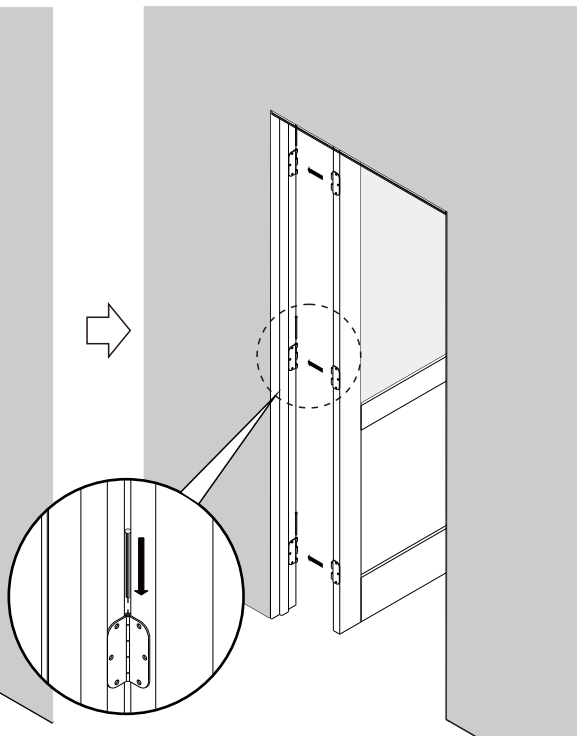


**Step ④ Install Jamb to Door Opening**

**Step 1: Install the jamb**



**Step 2: Attach the doors**



**Step 3: Your French Door is ready**

