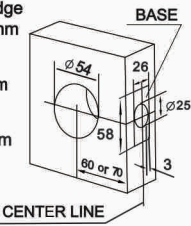
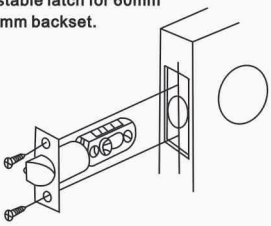
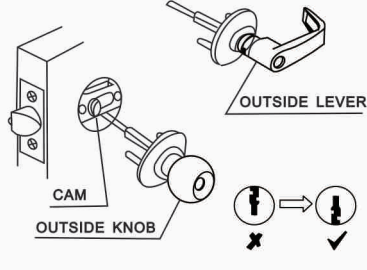
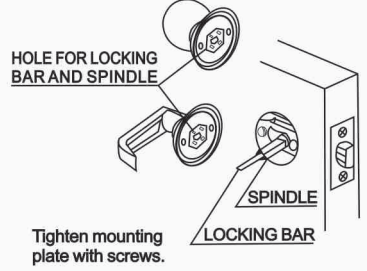
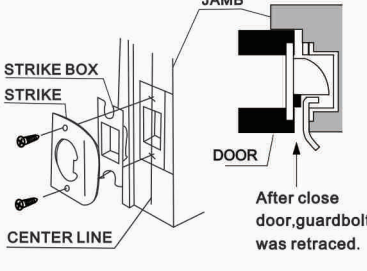
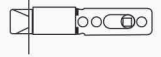
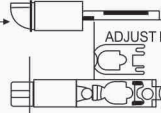


HOW TO INSTALL THIS TUBULAR LOCK WITH KNOBS OR LEVERS

<p>1 MARK DOOR & BORE HOLES</p> <ul style="list-style-type: none"> • Fold template over edge of door, mark site 60mm or 70mm of holes. •• Bore \varnothing54mm and \varnothing25mm holes through door. •• Cut out a 58x26x3mm base. 	<p>2 INSTALL LATCH</p> <ul style="list-style-type: none"> • Adjustable latch for 60mm or 70mm backset. 	<p>3 INSTALL BODY</p> 
<p>4 INSTALL INSIDE KNOB/LEVER</p> 	<p>5 INSTALL STRIKE</p> 	<p>INSTRUCTION FOR ADJUSTABLE LATCH</p> <p>FOR SQUARE SPINDLE HOLE  The cam is pushed fully to the right for 70mm backset. (During the adjustment, keeping two teeth of the cam to forward always.)</p> <p>FOR ARC SPINDLE HOLE  Push the latch inward, take off the adjust part for 70mm backset.</p>

