

ASSEMBLY INSTRUCTION



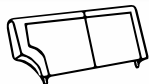


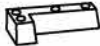



LSF 2-SEATER W/PULL-OUT BED RSF CHAISE W/STORAGE



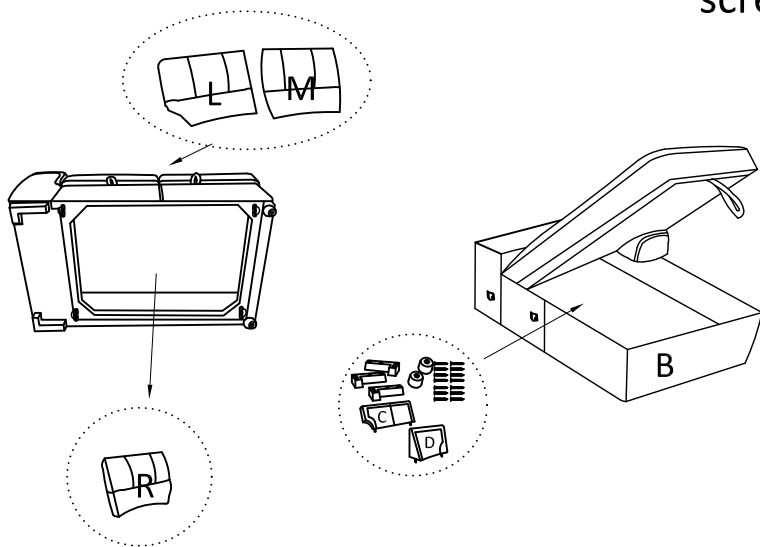
Legs & hardware are stored in the RSF chaise, please take out the legs and hardware for assembly.

Note: Do not use power tools for assembly. Power tools increase the risk of over tightening which lead to splitting or cracking the wood.

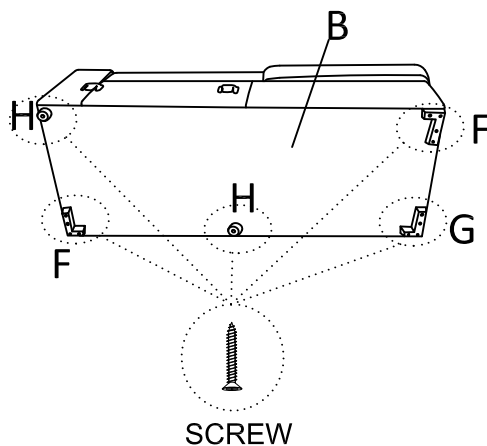
Component list .

No	Drawing	Qty	DESCRIPTION
A		1	LSF 2 SEATER (PRE-ASSEMBLED LEGS)
B		1	RSF CHAISE
C		1	2-SEATER LSF BACK REST
D		1	CHAISE RSF BACK REST
E		3	LSF / MIDDLE / RSF BACK CUSHION
F		2	RSF CHAISE-LSF PLASTIC LEG
G		1	RSF CHAISE-RSF PLASTIC LEG
H		2	RSF CHAISE SUPPORT LEG
I		14	BOLT (M5*50mm)

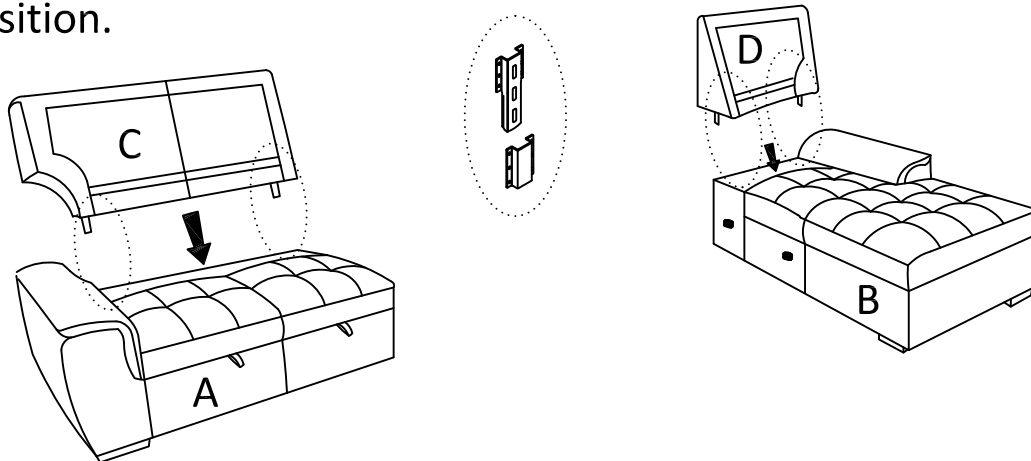
Step #1 please take out the parts for assembly.



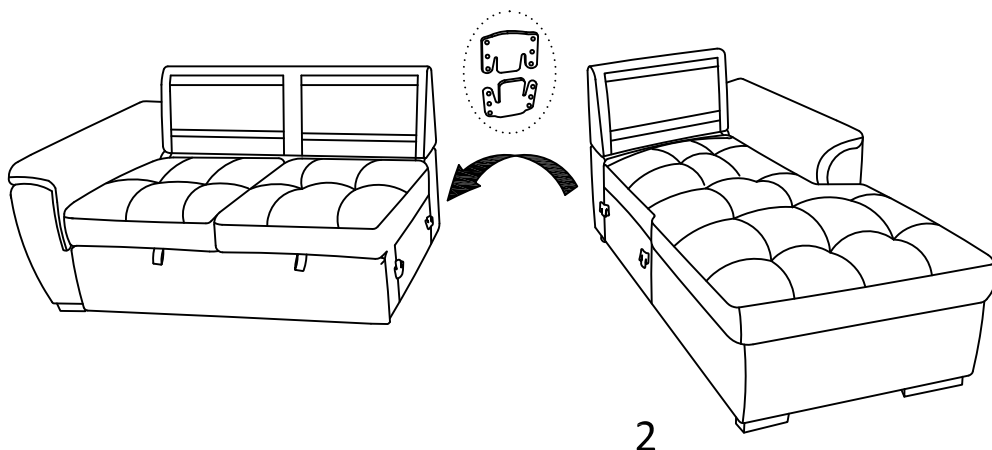
Step #2 Align legs(#H,F,G) to the RSF chaise(#B) as shown in drawing, insert screws and tighten with screw driver.



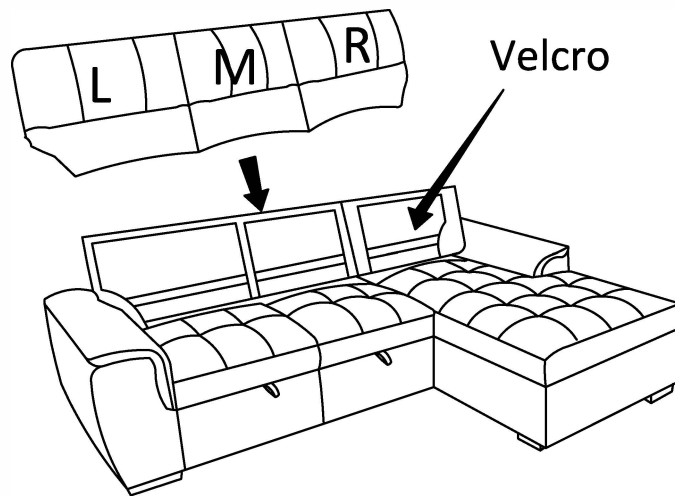
Step #3 Align back rest male bracket onto seat frame female bracket, push to the end to make sure it is secured in position.



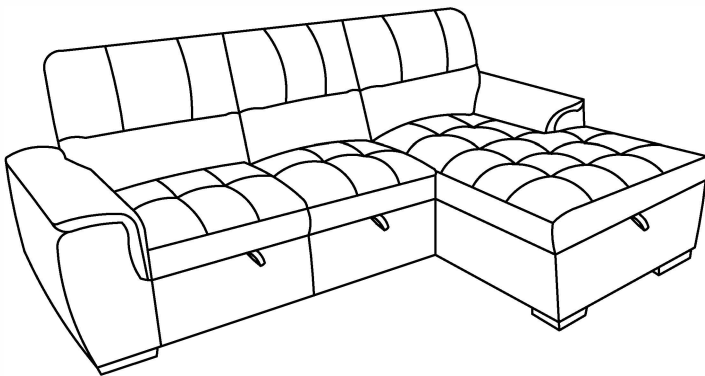
Step #4 Align and connect metal brackets to assemble 2-seater and chaise.



Step #5 Align and attach back cushion (#E LSF / MIDDLE / RSF) Velcro to back rest.



Step #6 Sofa assembly is completed.



Care Instruction for Furniture:

In order to maintain the original appearance of your furniture , please follow below simple care procedures:

- Avoid exposing furniture directly to sunlight or heating and air conditioning outlets. Sunlight and or exposure to heating and air conditioning outlets will fade/damage.
- Vacuum or wipe with a soft cloth to remove dust.



For items use on wooden floor, hard surfaces or carpets, it is recommended to Install protective pads under all legs and supports to avoid/prevent from damages/scratches and discoloration.