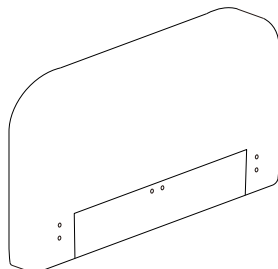


# UPHOLSTERED BED FULL/QUEEN ASSEMBLY INSTRUCTIONS

## BOX#1

A. HEADBOARD

1 PC

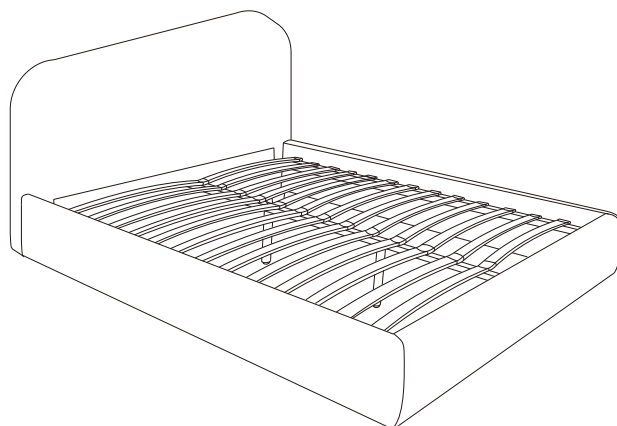


A

## HARDWARE KIT PACKED IN BOX #2

1	ALLEN BOLT(5/16"x1")		20 PCS
2	ALLEN BOLT(5/16"x2-1/2")		2 PCS
3	FLAT WASHER(5/16")		22 PCS
4	LOCK WASHER(5/16")		22 PCS
5	ALLEN KEY(5/16")		1 PC

## FULLY ASSEMBLED



## BOX#2

B. RIGHT SIDE RAIL

1 PC

C. LEFT SIDE RAIL

1 PC

D. SIDE RAIL BRACKET

4 PCS

E. FOOTBOARD

1 PC

F. CENTER SLAT SUPPORT

1 PC

G. SLAT SUPPORT LEG

2 PCS

H. SIDE RAIL SLAT CLIP

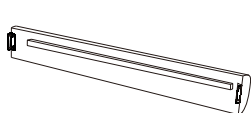
26 PCS

I. SLAT

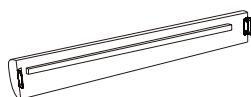
26 PCS

J. CENTER SUPPORT SLAT CLIP

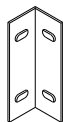
13 PCS



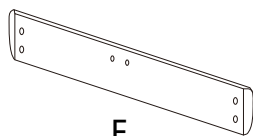
B



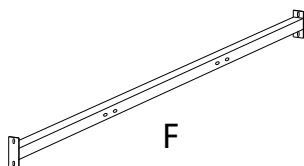
C



D



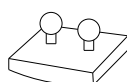
E



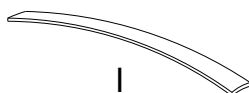
F



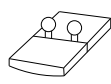
G



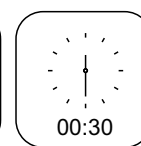
H



I

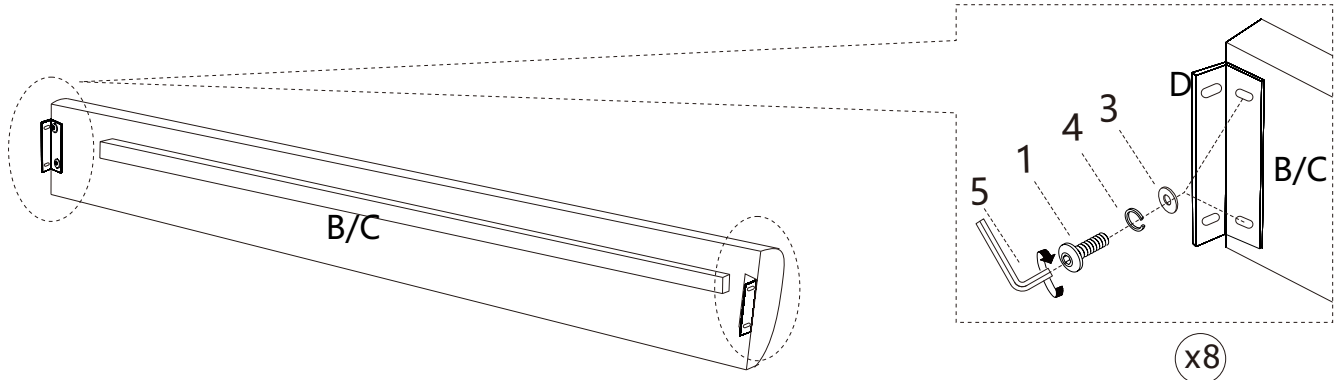


J

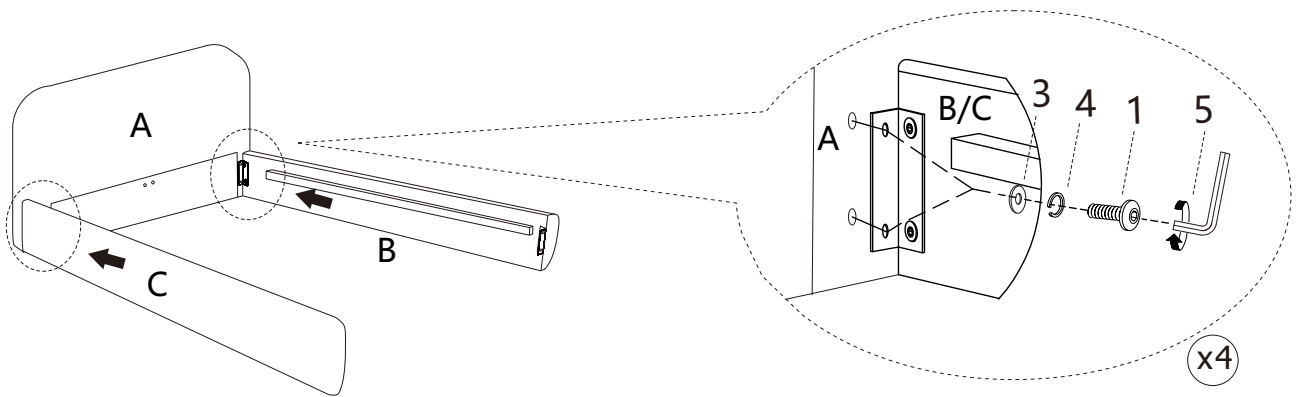


# UPHOLSTERED BED FULL/QUEEN ASSEMBLY INSTRUCTIONS

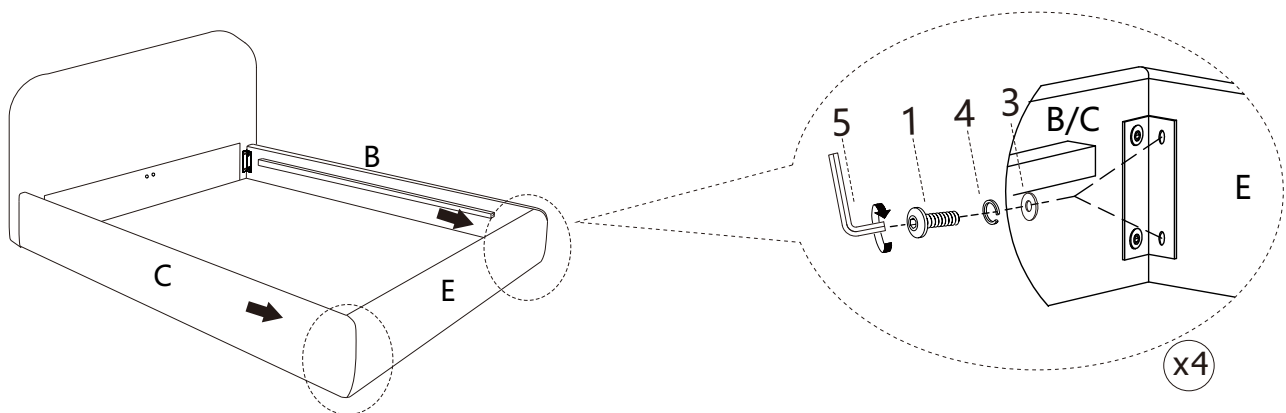
## STEP 1



## STEP 2



## STEP 3

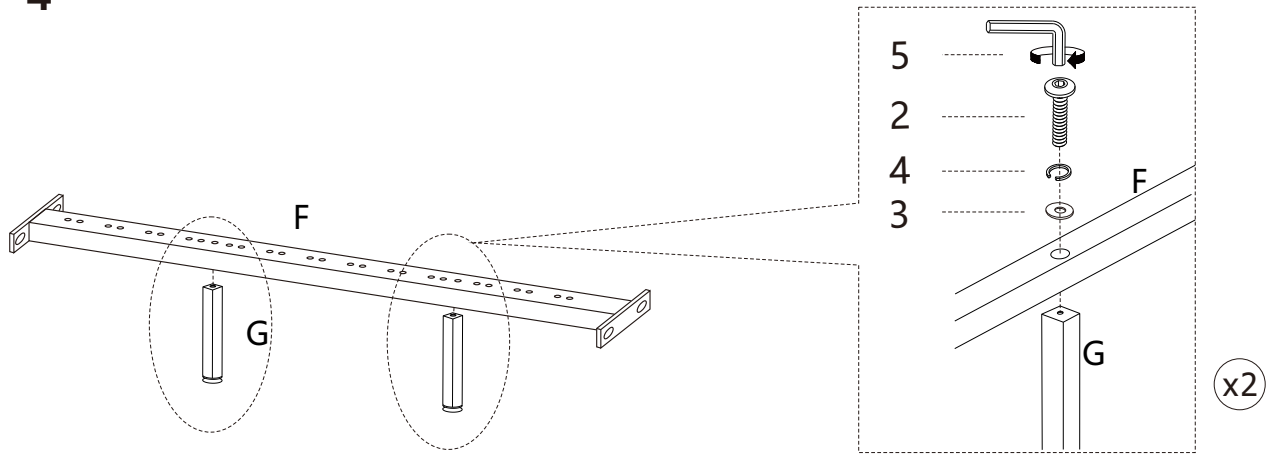


### STOP

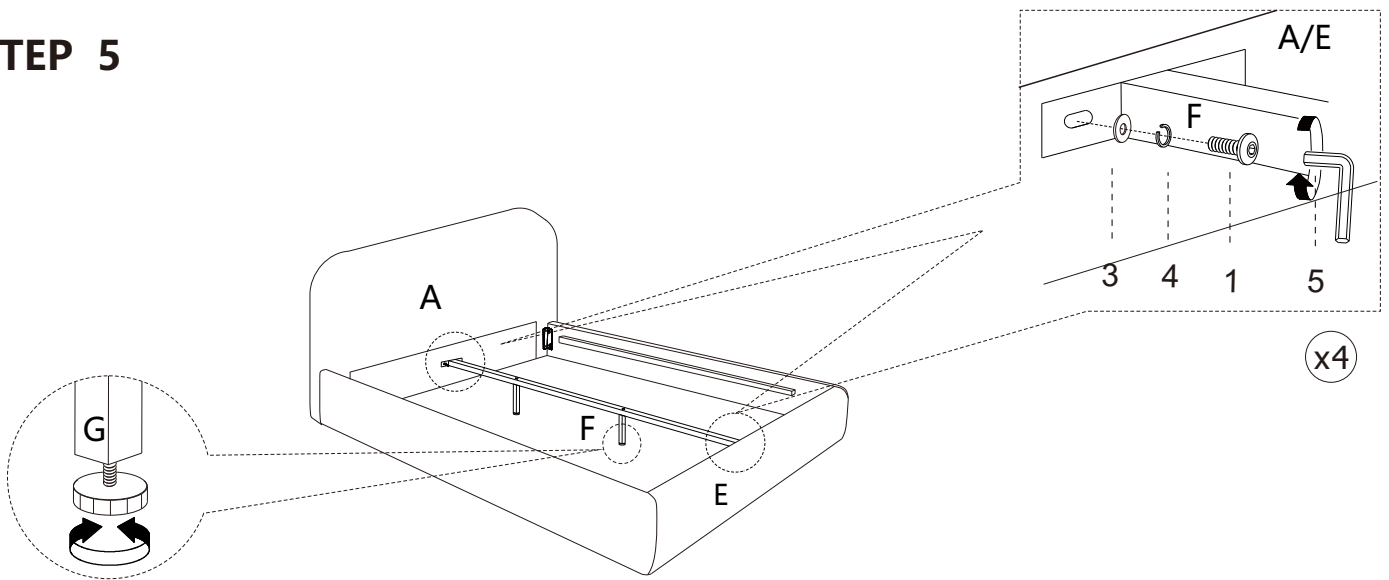
- IF USING BED WITH AN ADJUSTABLE MATTRESS BASE, SKIP STEPS 4,5,6& 7 AND REFERENCE APPENDIX A: ADJUSTABLE MATTRESS BASE ASSEMBLY SUPPLEMENT.
- IF USING BED FRAME WITH A STANDARD BOX SPRING OR FOUNDATION, CONTINUE TO STEP 4.

# UPHOLSTERED BED FULL/QUEEN ASSEMBLY INSTRUCTIONS

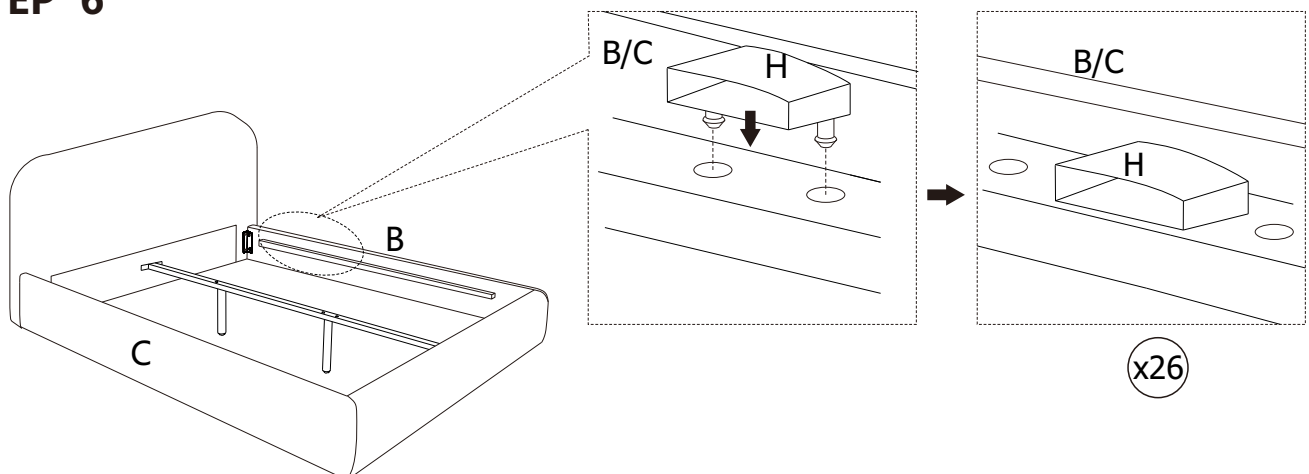
## STEP 4



## STEP 5

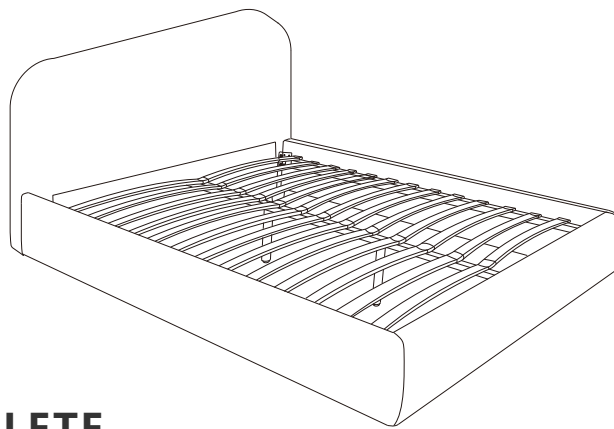
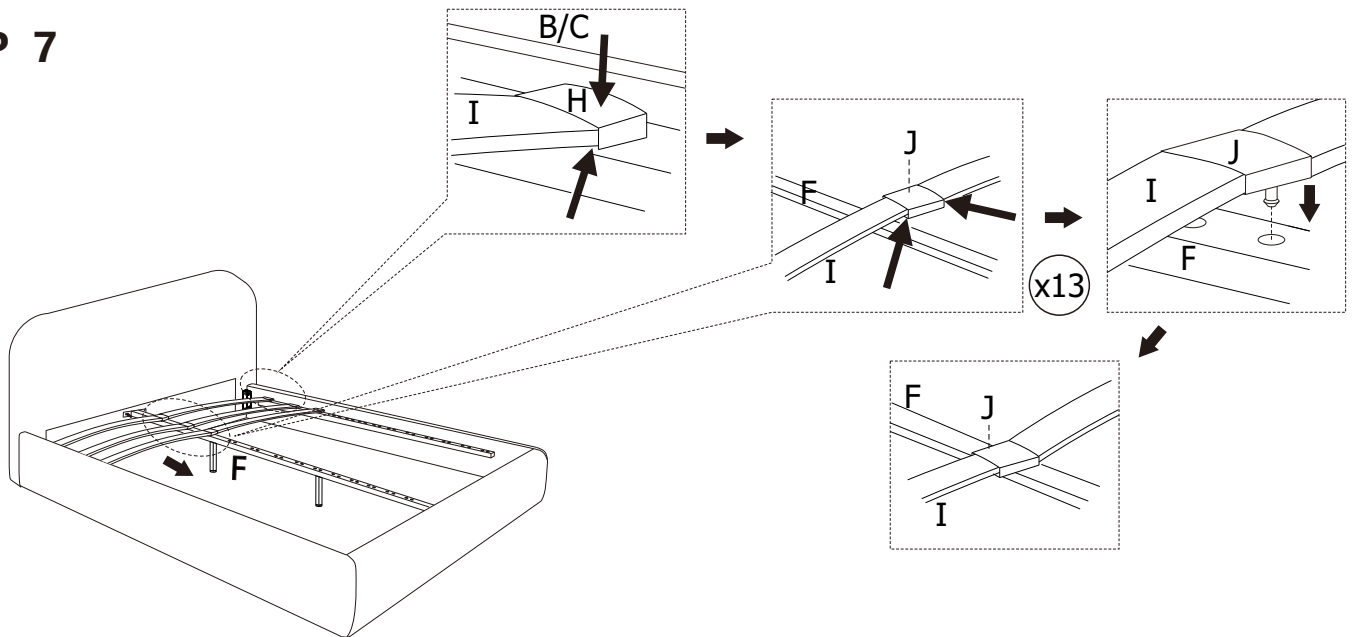


## STEP 6



# UPHOLSTERED BED FULL/QUEEN ASSEMBLY INSTRUCTIONS

## STEP 7



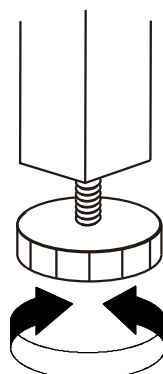
**ASSEMBLY COMPLETE.**

### INSTRUCTIONS FOR ADJUSTING LEVELERS:

POSITION THE BED IN YOUR ROOM.  
LOCATE LEVELERS UNDER EACH  
SUPPORT LEG ( G ).

TURN COUNTER-CLOCKWISE TO  
EXTEND, CLOCKWISE TO RETRACT.

ADJUST LEVELERS UNTIL EACH LEG  
SUPPORT IS APPLYING EQUAL UPWARD  
PRESSURE ON THE CENTER SLAT.



UPDATED:MARCH 1ST,2025

### MAINTENANCE INSTRUCTIONS:

- PERIODICALLY CHECK ALL FITTINGS AND TIGHTEN IF NECESSARY, AS THEY CAN LOOSEN OVER TIME.
- ALWAYS REMOVE BOX SPRING AND MATTRESS BEFORE MOVING THE BED.
- LIFT THE BED WHEN MOVING IT. DRAGGING THE BED CAN DAMAGE THE CENTER SUPPORT.
- READJUST LEVELERS AFTER MOVING THE BED.

# UPHOLSTERED BED FULL/QUEEN ASSEMBLY INSTRUCTIONS

## APPENDIX A: ADJUSTABLE MATTRESS BASE ASSEMBLY SUPPLEMENT

AN ADJUSTABLE MATTRESS BASE IS A FREESTANDING MATTRESS SUPPORT THAT SITS WITHIN THE PERIMETER OF THE BED FRAME.

IF USING THIS BED FRAME WITH A STANDARD BOX SPRING OR FOUNDATION THESE INSTRUCTIONS DO NOT APPLY.

PRE-ASSEMBLED SIDE RAIL CLEATS OBSTRUCT ADJUSTABLE BASE INSTALLATION AND OPERATION. FOLLOW THESE INSTRUCTIONS TO REMOVE THEM.

### **WARNING!**

SIDE RAIL CLEATS ARE HELD IN PLACE USING PHILLIPS HEAD SCREWS. ONCE THEY ARE REMOVED THE USER WILL NOT BE ABLE TO SAFELY RE-INSTALL THE SIDE RAIL CLEATS FOR FUTURE USE WITH A STANDARD BOX SPRING OR FOUNDATION.

### **THE FOLLOWING PARTS ARE NOT REQUIRED FOR ADJUSTABLE MATTRESS BASE INSTALLATION:**

F. CENTER SLAT SUPPORT	1 PC
G. SLAT SUPPORT LEG	2 PCS
H. SIDE RAIL SLAT CLIP	26 PCS
I. SLAT	26 PCS
J. CENTER SUPPORT SLAT CLIP	13 PCS

### **STEP 1 :**

USE A PHILLIPS HEAD SCREWDRIVER (NOT PROVIDED) TO UNSCREW THE PHILLIPS SCREWS AND REMOVE THE PRE-ASSEMBLED SIDE RAIL CLEATS.

