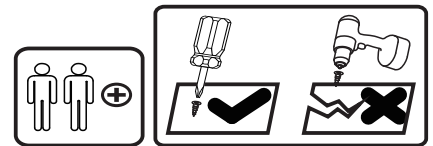
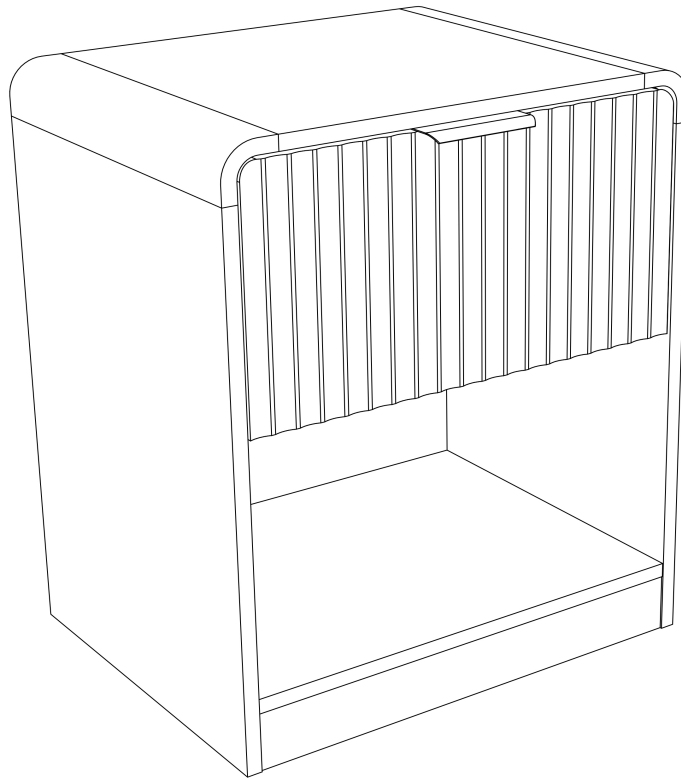


ASSEMBLY INSTRUCTIONS



Tools Recommended

THIS INSTRUCTIONS CONTAINS IMPORTANT SAFETY INFORMATION.
PLEASE READ BEFORE ASSEMBLY AND KEEP FOR FUTURE REFERENCE.

Need Parts or Assistance? Email us at support@homejoyee.com

IMPORTANT NOTICE

- This product contains small components, please ensure that they are kept away from small children.
- THIS INSTRUCTIONS CONTAINS IMPORTANT SAFETY INFORMATION. PLEASE READ BEFORE ASSEMBLY AND KEEP FOR FUTURE REFERENCE.
- Read each step carefully. It is very important that each step of instruction is performed in the correct order. If these steps are not followed in sequence, assembly difficulties will occur.
- Make sure all parts are included. Most parts are labelled or stamped on the raw edge.
- Work in spacious area, preferably on a carpet, near the place the unit will be used.
- Do not use power tools to assemble your furniture. Power tools may strip or damage the parts.
- Move your new furniture carefully, with two people lift and carry the unit to it's new location.
- Never push, drag or pull your furniture (especially on carpet)



PLEASE DO NOT RETURN PRODUCT TO US IMMEDIATELY

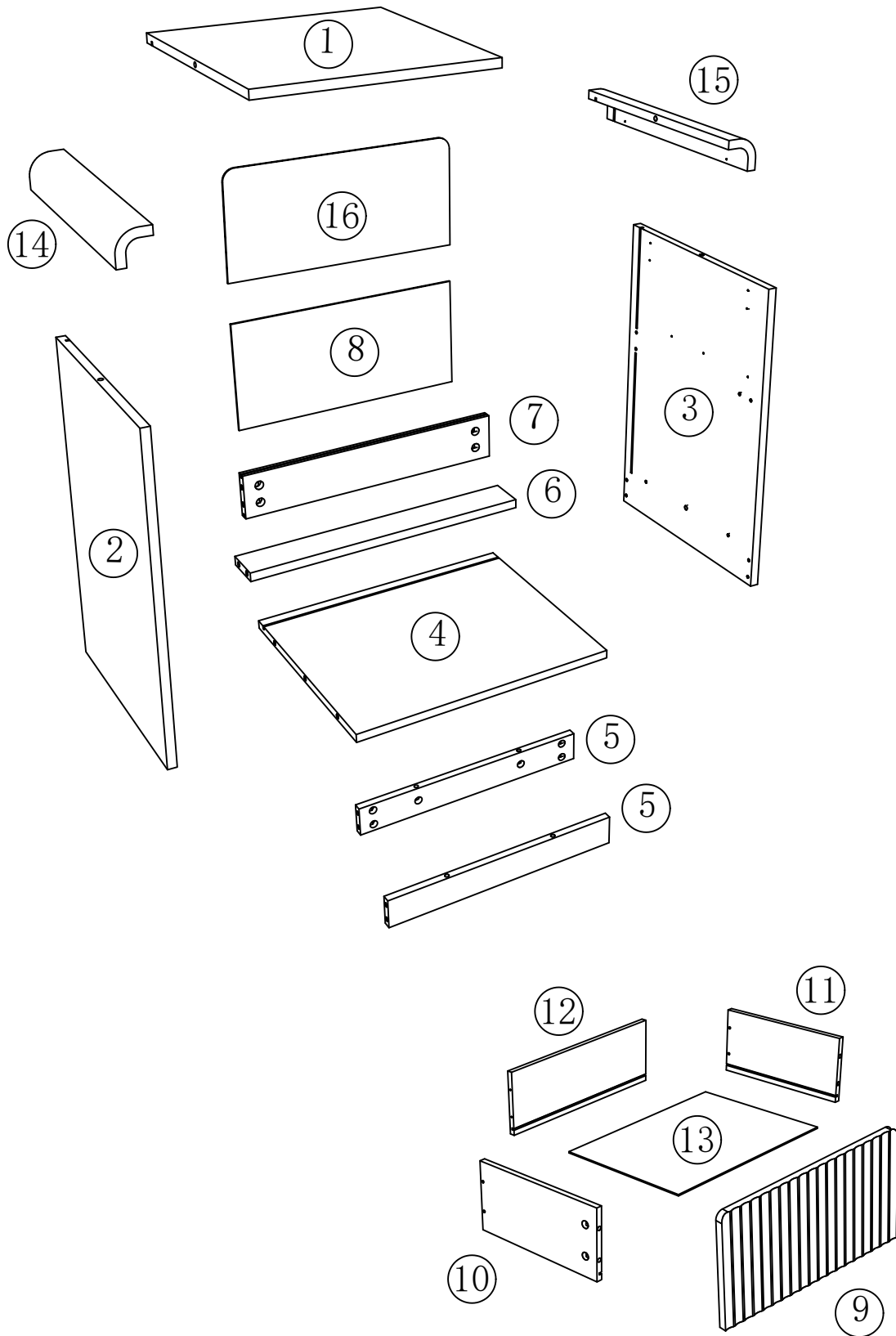
If a part is missing or damaged, email our customer service. We will gladly ship your replacement parts FREE of charge.

Need Parts or Assistance? Email us at [**support@homejoyee.com**](mailto:support@homejoyee.com)





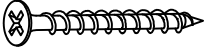
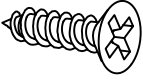
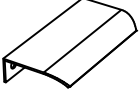
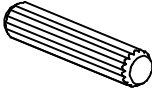
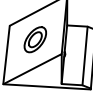
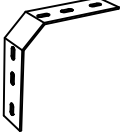

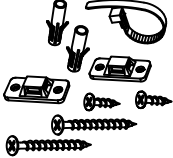





For Prompt, reliable service, please have your assemble instruction ready.

 WARNING	
	<p>Children have died from furniture tipover. To reduce the risk of furniture tipover:</p> <ul style="list-style-type: none">• ALWAYS install tipover restraint provided.• NEVER put a TV on this product.• NEVER allow children to stand, climb or hang on drawers, doors, or shelves.• NEVER open more than one drawer at a time.• Place heaviest items in the lowest drawers.
	


EXPLODED DRAWING

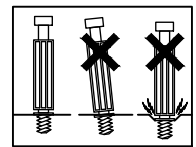
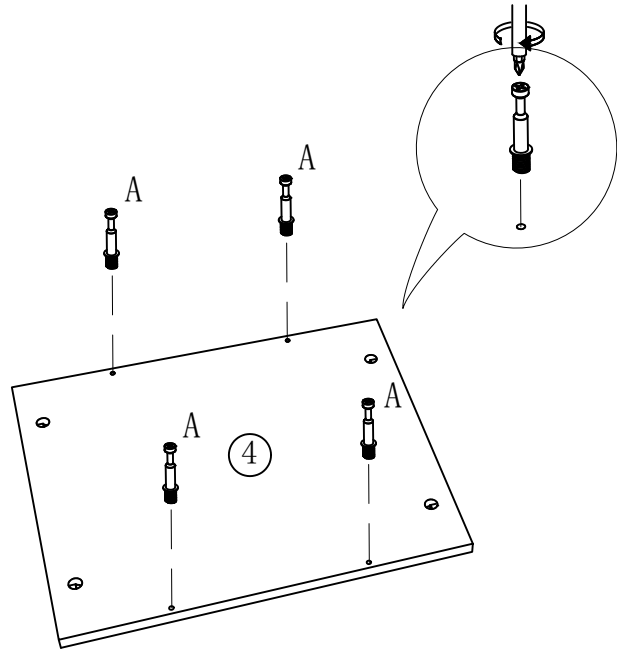


ACCESSORIES LIST





A	X28	B	X24	C	X4	D	X2	E	X4
									
M6X35		φ15X12		φ15X10		M3X12		M4X40	
F	X18	G	X1	H	X6	I	X8	J	X4
									
M3X14				φ8X40					
K	X24	L	X1	M	X1	DR	X1	DL	X1
									
M4X14									
CR	X1	CL	X1						
									

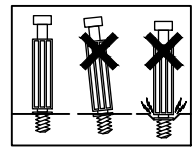
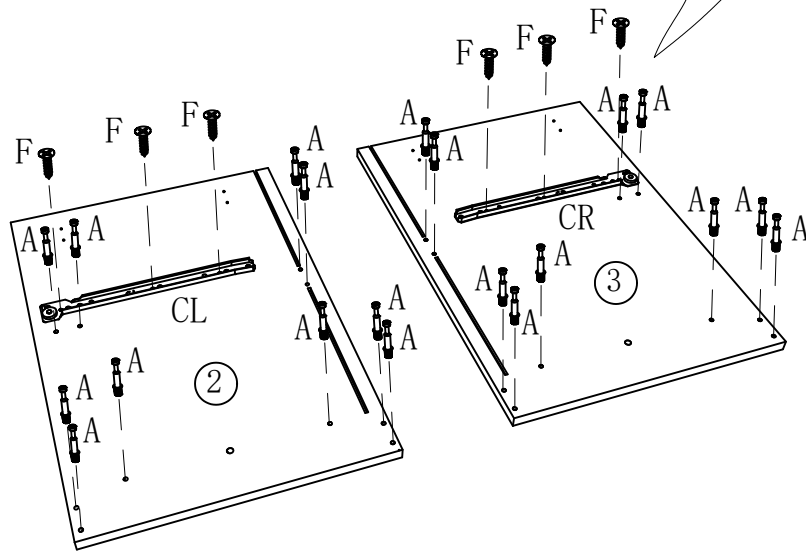
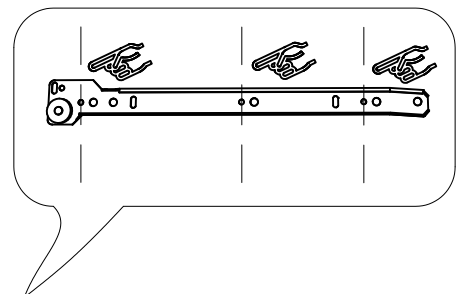
STEP 1

A	X4
	
M6X35	




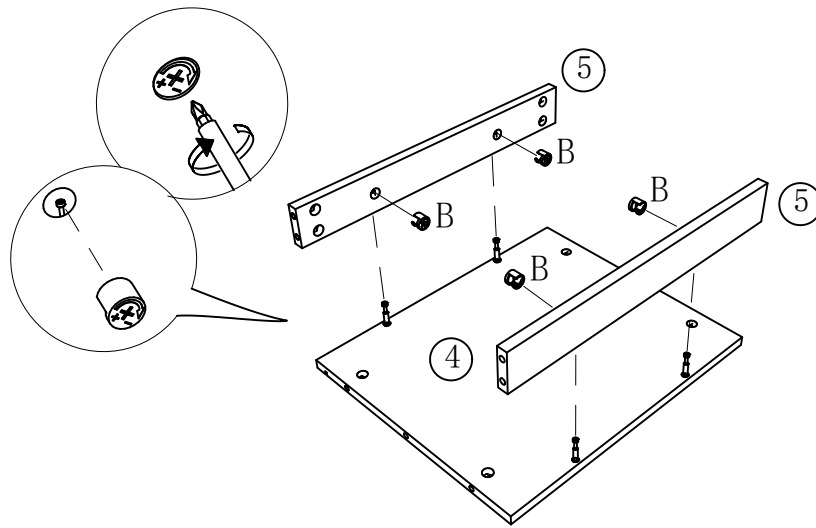
STEP 2

F	X6	A	X20	CR	X1	CL	X1
							
M3X14		M6X35					





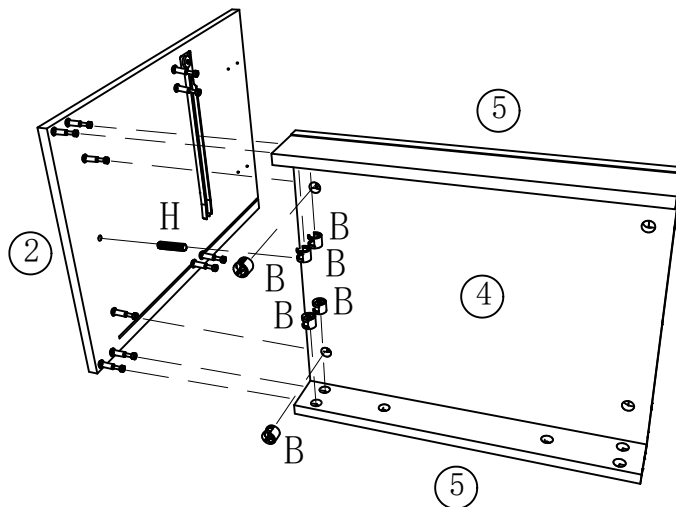
STEP3

B	X4
	
$\phi 15 \times 12$	




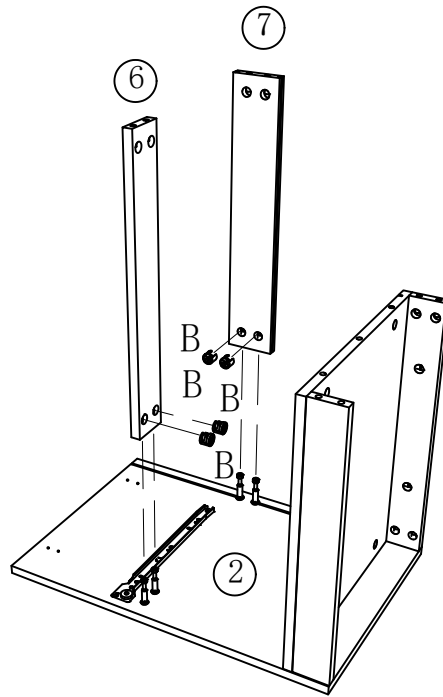
STEP4

B	X6	H	X1
			
$\phi 15 \times 12$		$\phi 8 \times 40$	

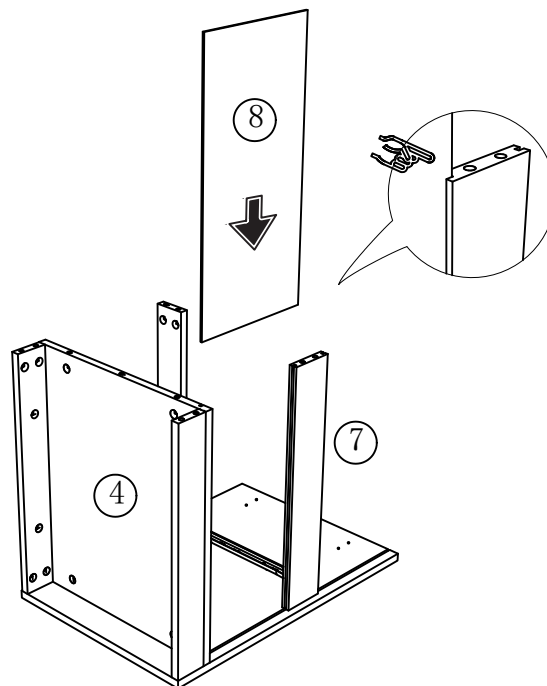


STEP5


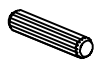
B	X4
	
Ø15X12	

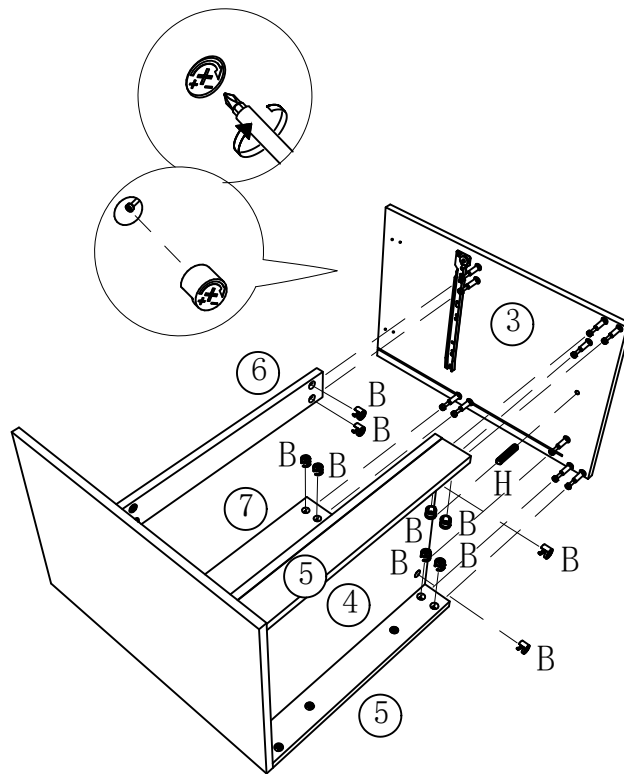


STEP6

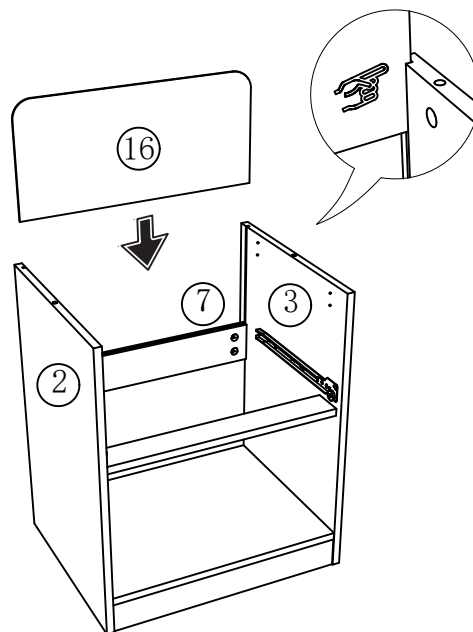


STEP 7

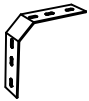


B	X10	H	X1
			
Ø15X12		Ø8X40	

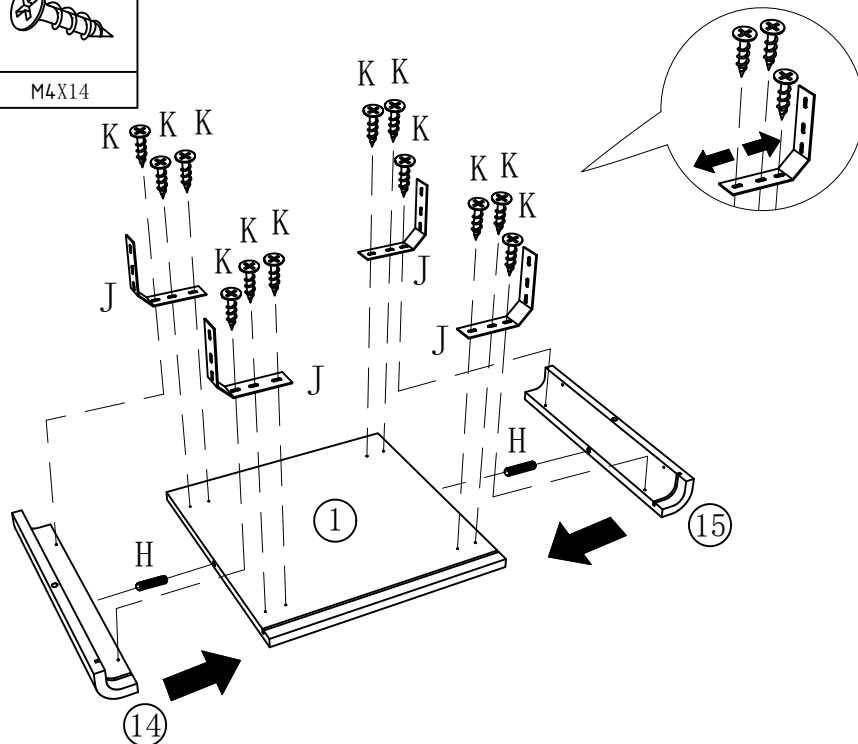


STEP 8





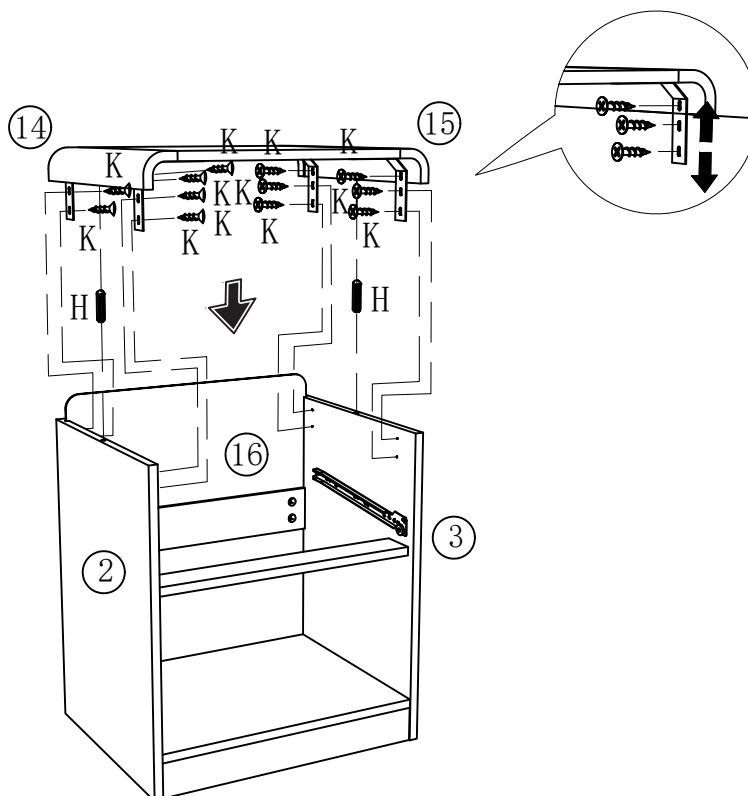
STEP9

J	X4	H	X2	K	X12
					
		ø8X40		M4X14	



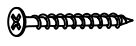



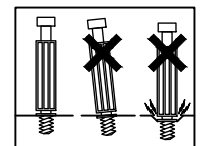
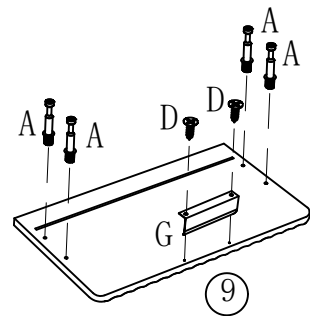
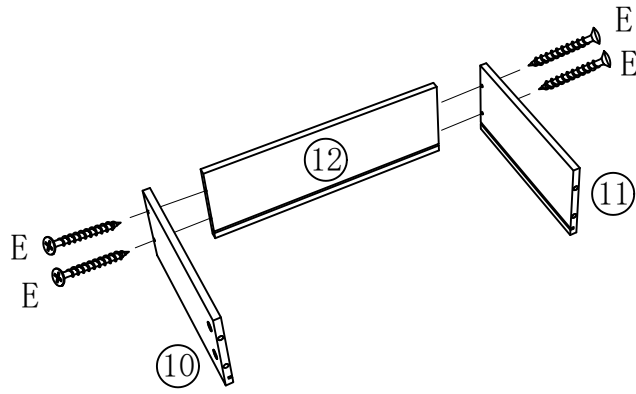
STEP10

H	X2	K	X12
			
ø8X40		M4X14	

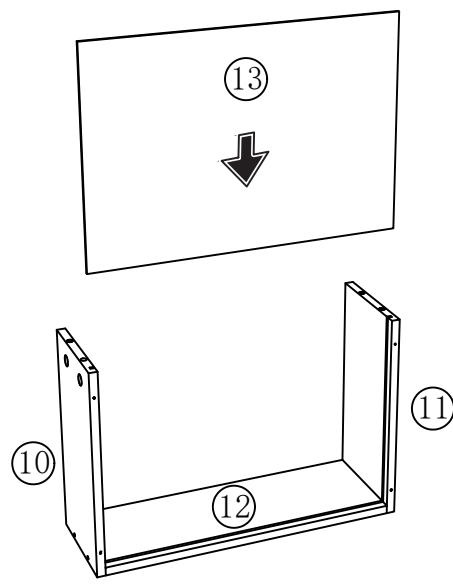


STEP 11


A	X4	D	X2	E	X4	G	X1
							
M6X35		M3X12		M4X40			



STEP 12






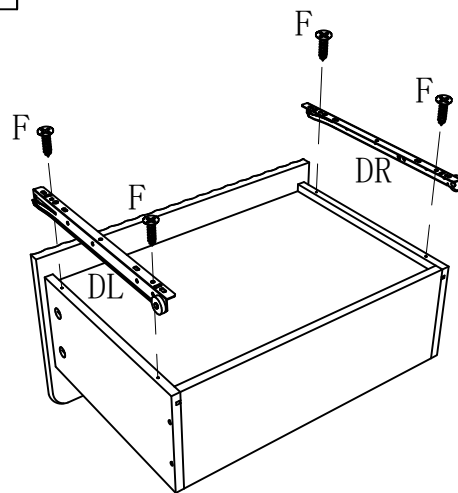
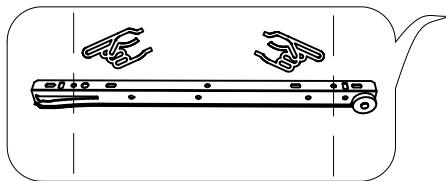
STEP13

C	X4
	
$\phi 15 \times 10$	





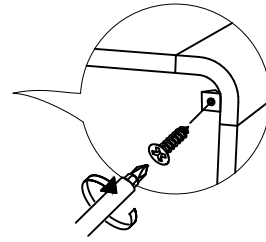
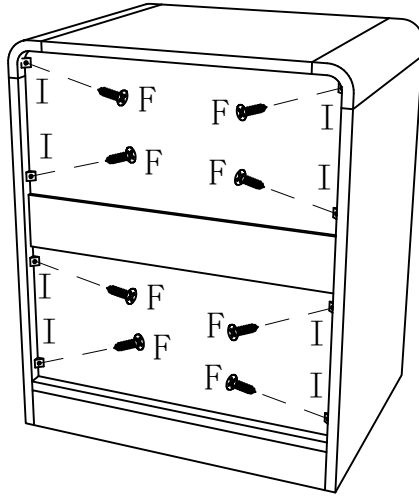
STEP14

F	X4	DR	X1	DL	X1
					
M3X14		300MM		300MM	

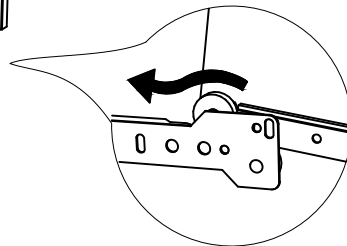
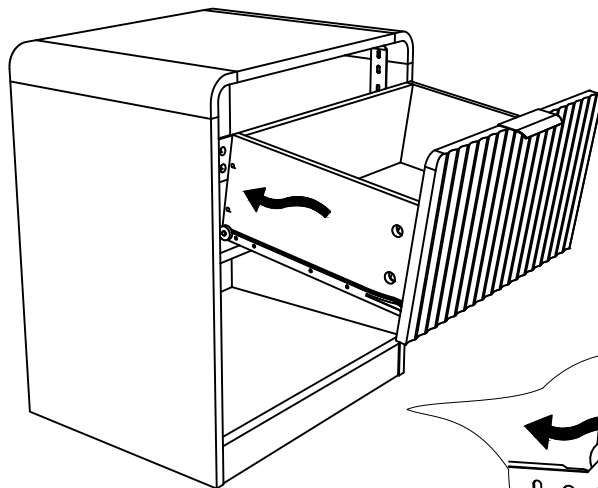


STEP15

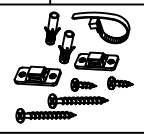
I	X8	F	X8
			
M3X14			

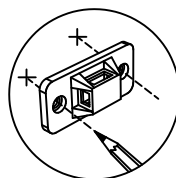
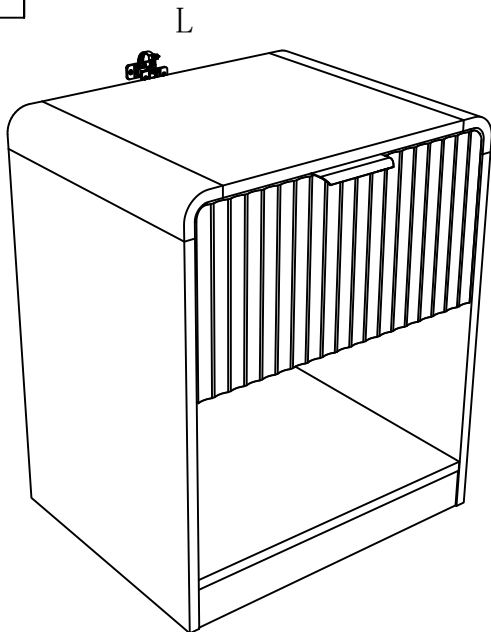


STEP16

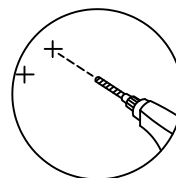


STEP 17

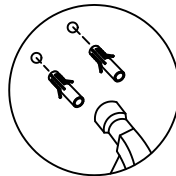
L	X1
	



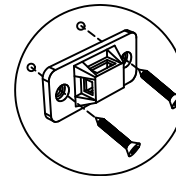
1, Mark on the wall.



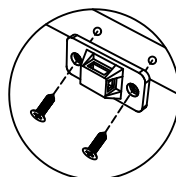
2, Drill holes in the wall.



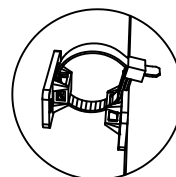
3, Push in the plastic plug.



4, Insert long screws into the wall to fix the clasp.



5, Secure the clasp with short screws at the top of the back thick plate.



6, Push the plastic tie through the holes in the two clasps and tighten it.