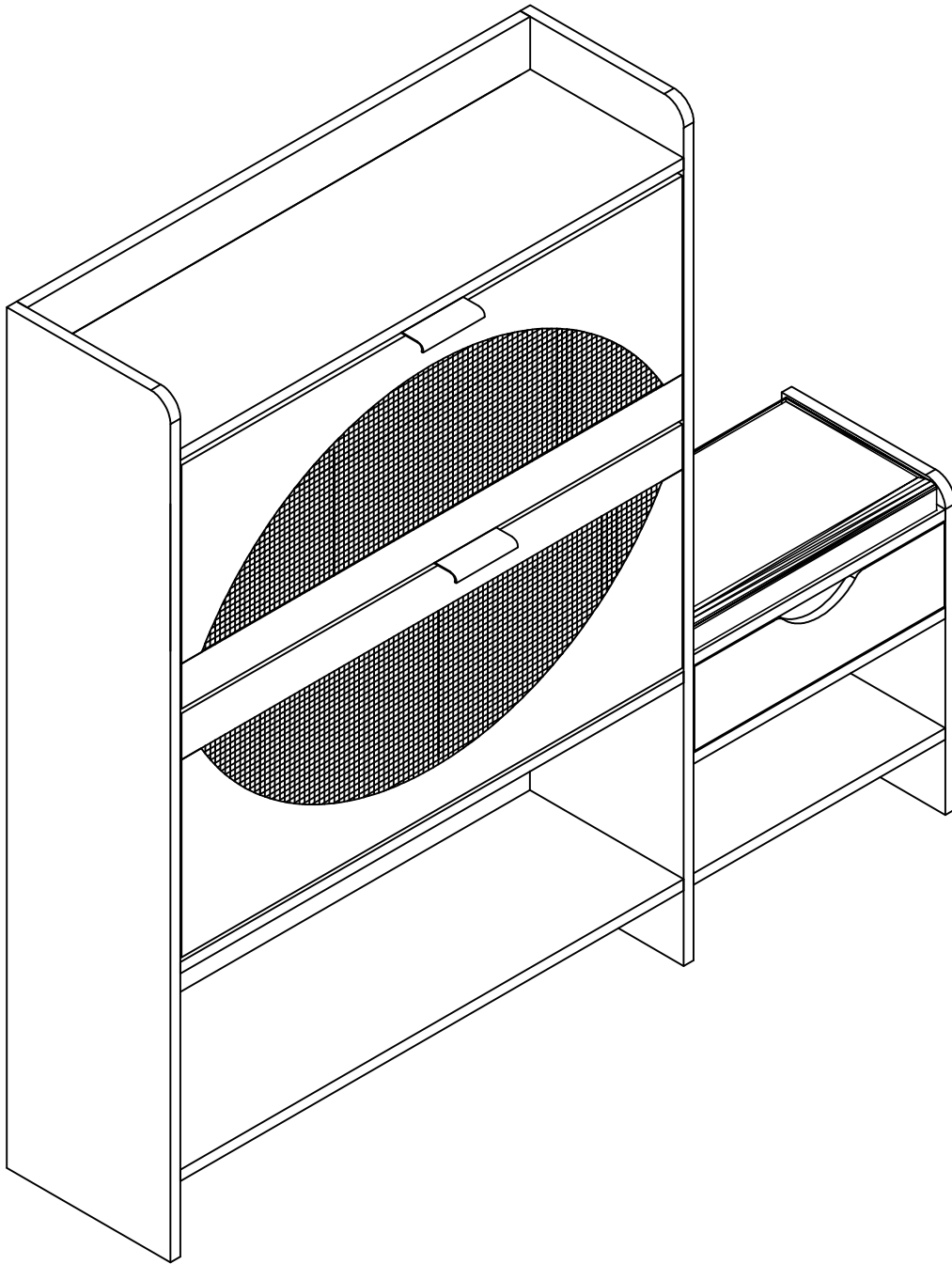


# ASSEMBLY INSTRUCTIONS

N719P228419D

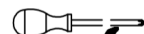
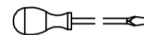


2PERS



45 MIN

Tool Required Not Provided





**Warning:**

1. Please read these instructions fully before starting assembly. Check you have all the components and tools listed on pages. Keep the instructions for later reference. Parts of the assembly will be easier with 2 people. Seek professional assistance if necessary.
2. Please place all parts on a flat surface. Place a soft blanket or similar underneath to protect against scratches or stains. Avoid dragging or sliding components across the floor.
3. Regularly check all fittings and fastenings to ensure they are secure and to prevent accidents. If any parts are missing, broken, damaged, or worn, discontinue use of the product until repairs have been made using factory authorized parts.
4. Do not allow children to climb on the furniture as this may result in tipping and serious personal injury. Assemble the furniture away from the reach of children.
5. Do not place furniture close to fire sources or high-temperature objects to avoid the risk of fire. Do not place furniture in damp environments to prevent material damage.
6. Clean furniture with a damp cloth or alcohol, avoid using cleaning agents containing corrosive chemicals.
7. This product is equipped with an anti-tilt device. Please be sure to install this device to prevent unnecessary injuries caused by tipping.

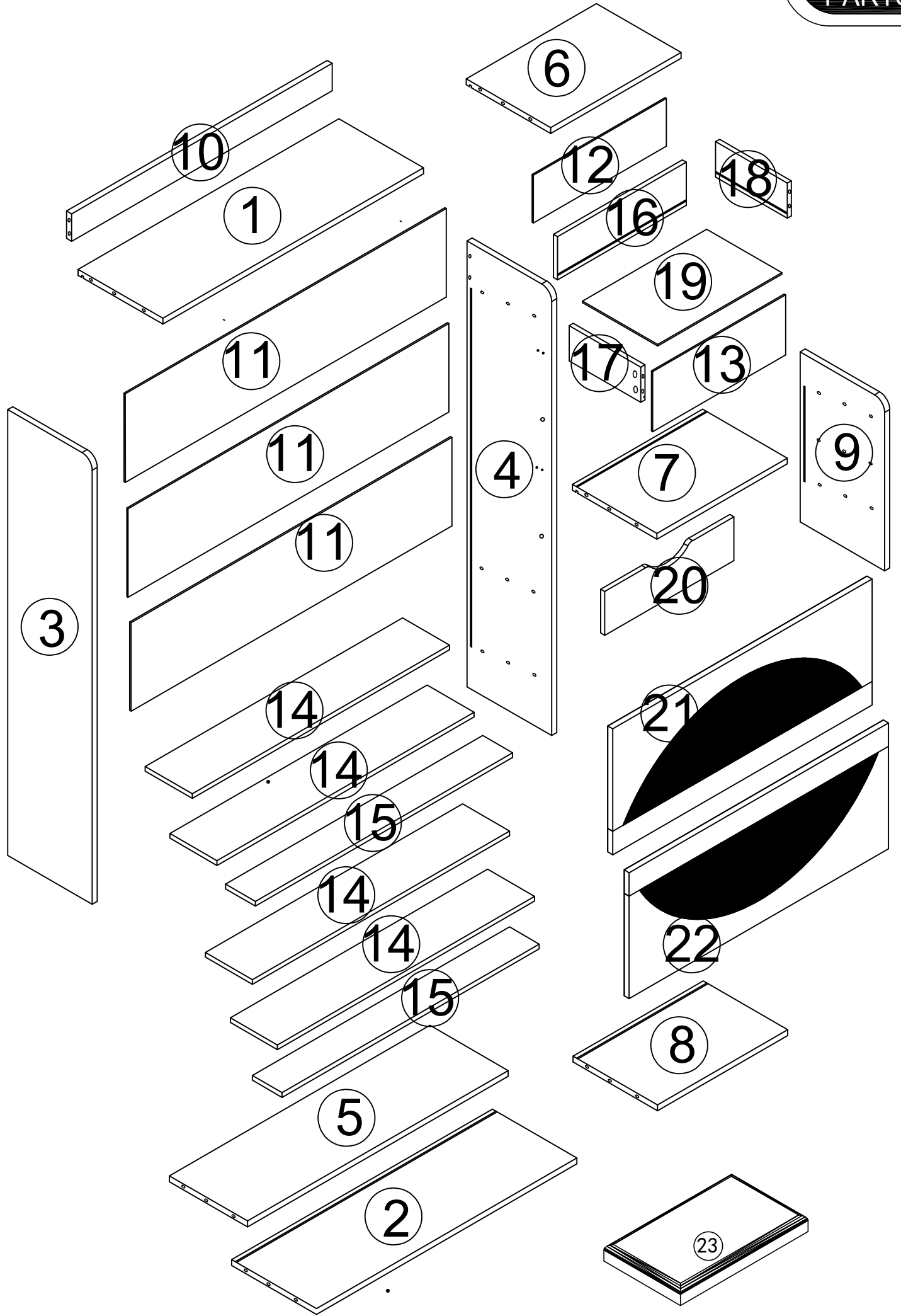
BOX  
1-1

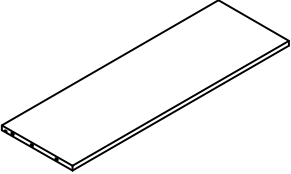
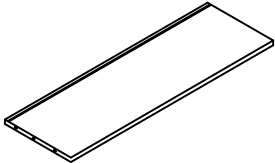
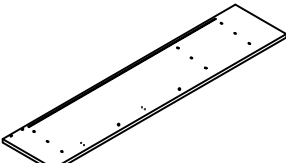
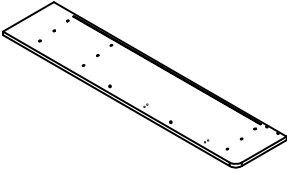
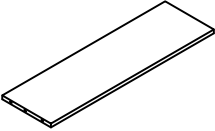
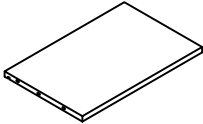
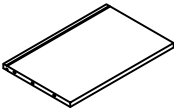
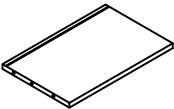
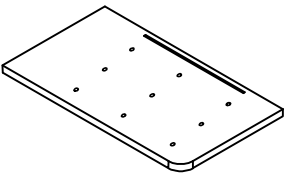
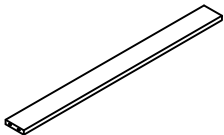
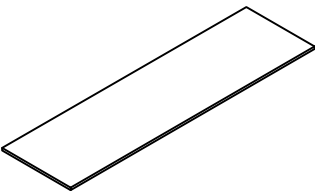
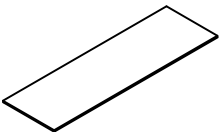
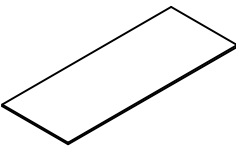
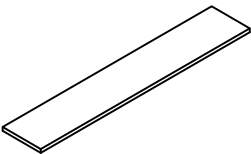
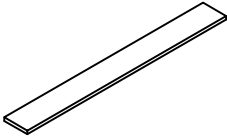
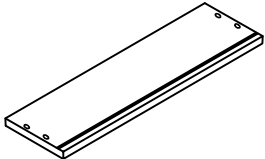
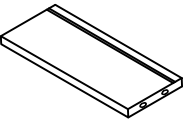
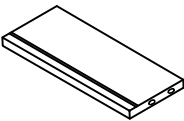
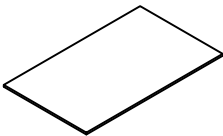
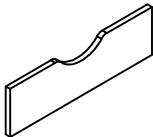
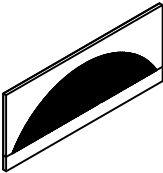
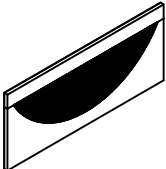
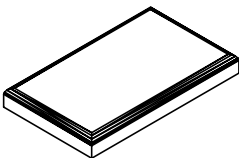
N719P228419D

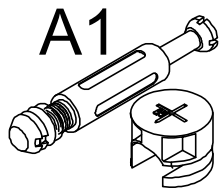
1	770*250*15=1PCS
2	770*250*15=1PCS
3	1140*250*15=1PCS
4	1140*250*15=1PCS
5	770*231*15=1PCS
6	385*250*15=1PCS
7	385*250*15=1PCS
8	385*250*15=1PCS
9	435*250*15=1PCS
10	770*70*15=1PCS
11	315*778*3=3PCS
12	393*123*3=1PCS
13	393*153*3=1PCS
14	760*139*12=4PCS
15	760*88*12=2PCS
16	381*110*12=1PCS
17	210*90*12=1PCS
18	210*90*12=1PCS
19	367*220*3=1PCS
20	382*112*12=1PCS
21	766*322*3=1PCS
22	766*322*3=1PCS
23	380*250*32=1PCS



Hardware Kit



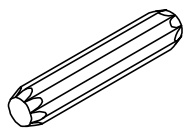
<p>1</p>  <p>1PCS</p>	<p>2</p>  <p>1PCS</p>	<p>3</p>  <p>1PCS</p>	<p>4</p>  <p>1PCS</p>
<p>5</p>  <p>1PCS</p>	<p>6</p>  <p>1PCS</p>	<p>7</p>  <p>1PCS</p>	<p>8</p>  <p>1PCS</p>
<p>9</p>  <p>1PCS</p>	<p>10</p>  <p>1PCS</p>	<p>11</p>  <p>3PCS</p>	<p>12</p>  <p>1PCS</p>
<p>13</p>  <p>1PCS</p>	<p>14</p>  <p>4PCS</p>	<p>15</p>  <p>2PCS</p>	<p>16</p>  <p>1PCS</p>
<p>17</p>  <p>1PCS</p>	<p>18</p>  <p>1PCS</p>	<p>19</p>  <p>1PCS</p>	<p>20</p>  <p>1PCS</p>
<p>21</p>  <p>1PCS</p>	<p>22</p>  <p>1PCS</p>	<p>23</p>  <p>1PCS</p>	



**A** x26

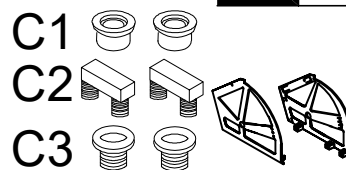
M6\*40  
+2(spare)

**A2**

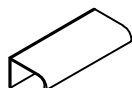


**B** x14

M8\*40  
+2(spare)



**C** x2



**D** x2

96MM



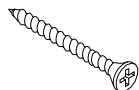
**E** x28

M3.5\*14  
+2(spare)



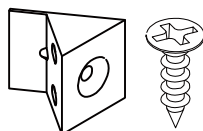
**F** x2

769MM



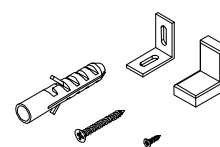
**G** x 5

M3.5\*35  
+1(spare)



**H** x12

M3\*14

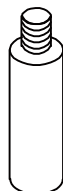


**I** x 2

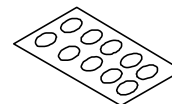


**J** x 4

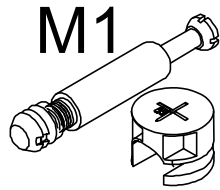
M4\*12



**K** x 2



**L** x30

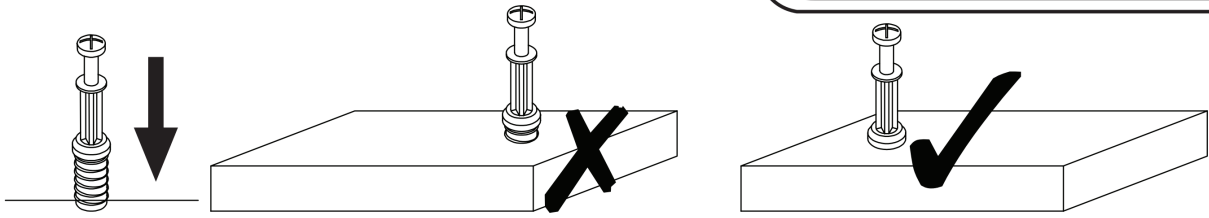


**M** x 4

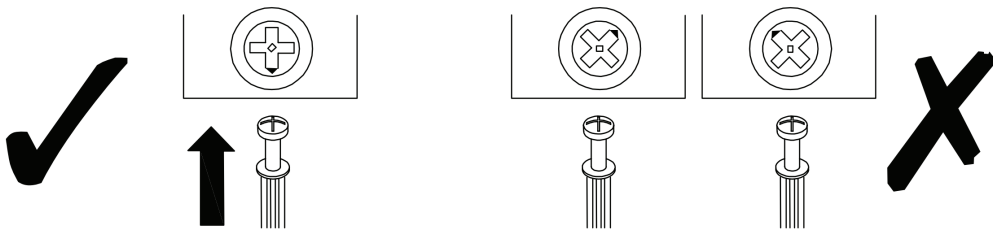
M6\*32  
+2(spare)

**M2**

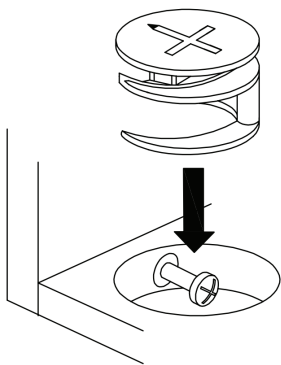
**USING CAM LOCK AND QUICKFIT**



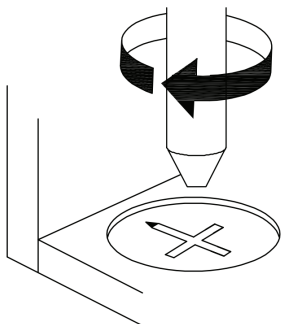
**QUICKFIT:** Tighten quickfit until shoulder is flush with panel. Do not overtighten or undertighten.



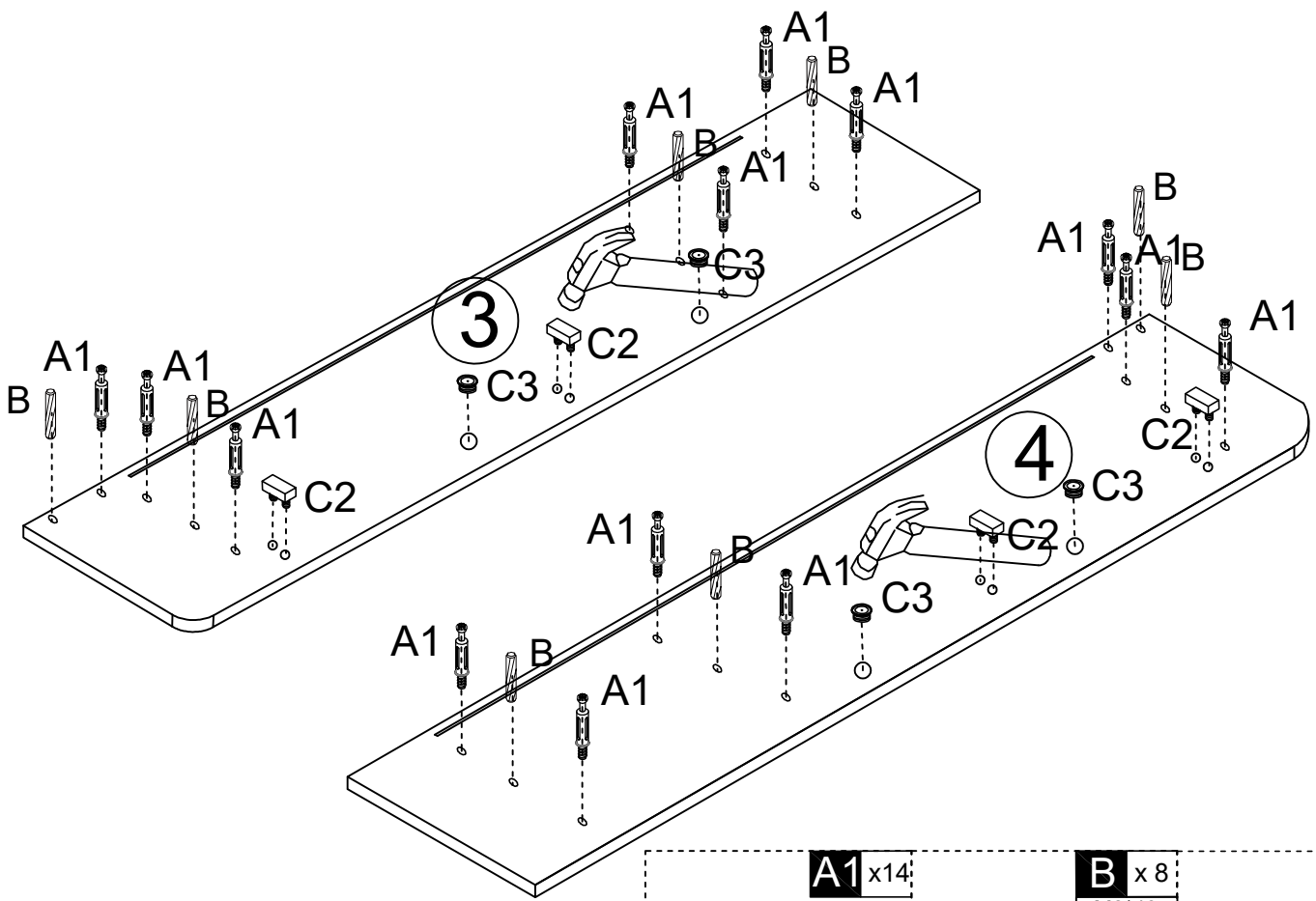
**CAM LOCK:** When fitting cam lock, ensure starting position is correct before you insert connecting quickfit.



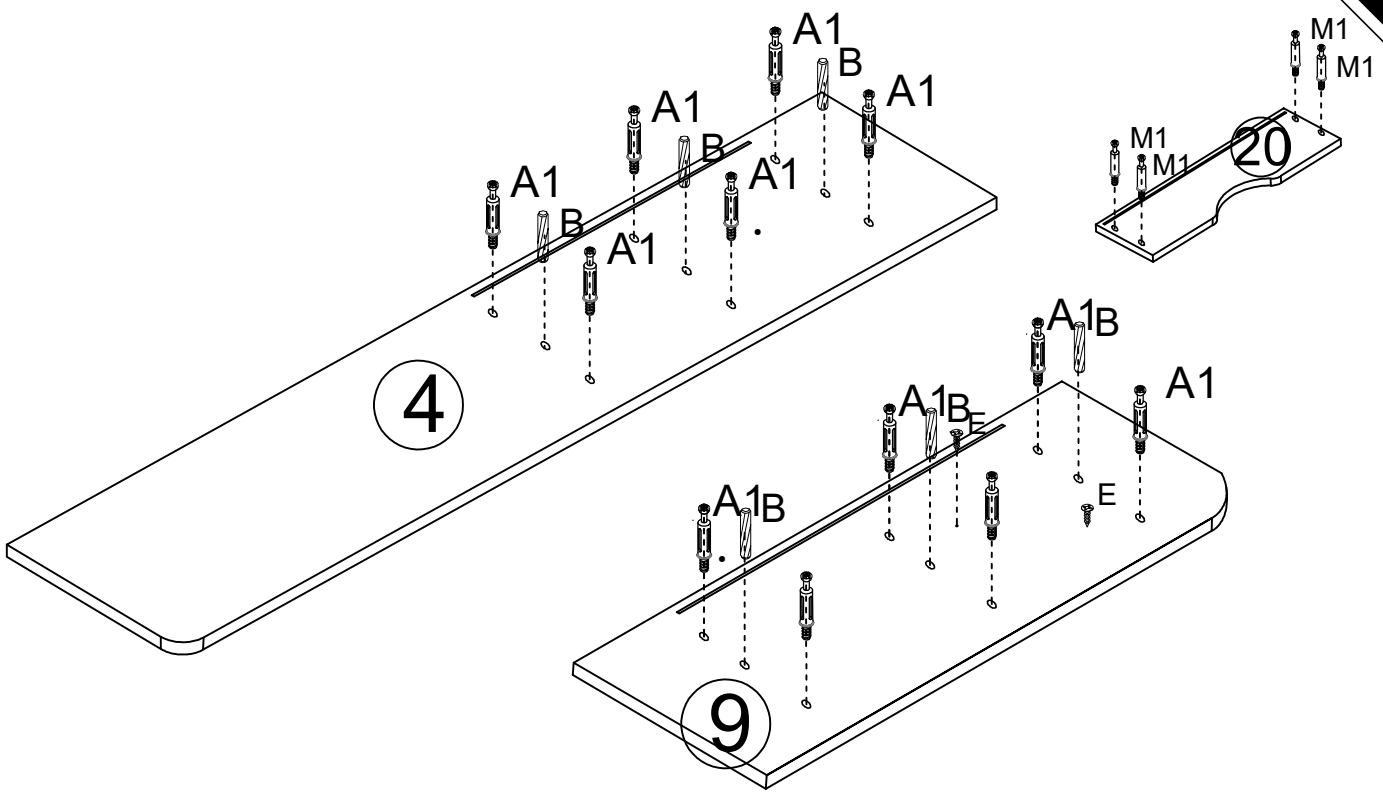
Quickfit head should be in the centre of the cam lock when the two panels are joined.  
Cam lock should be inserted before quickfit.



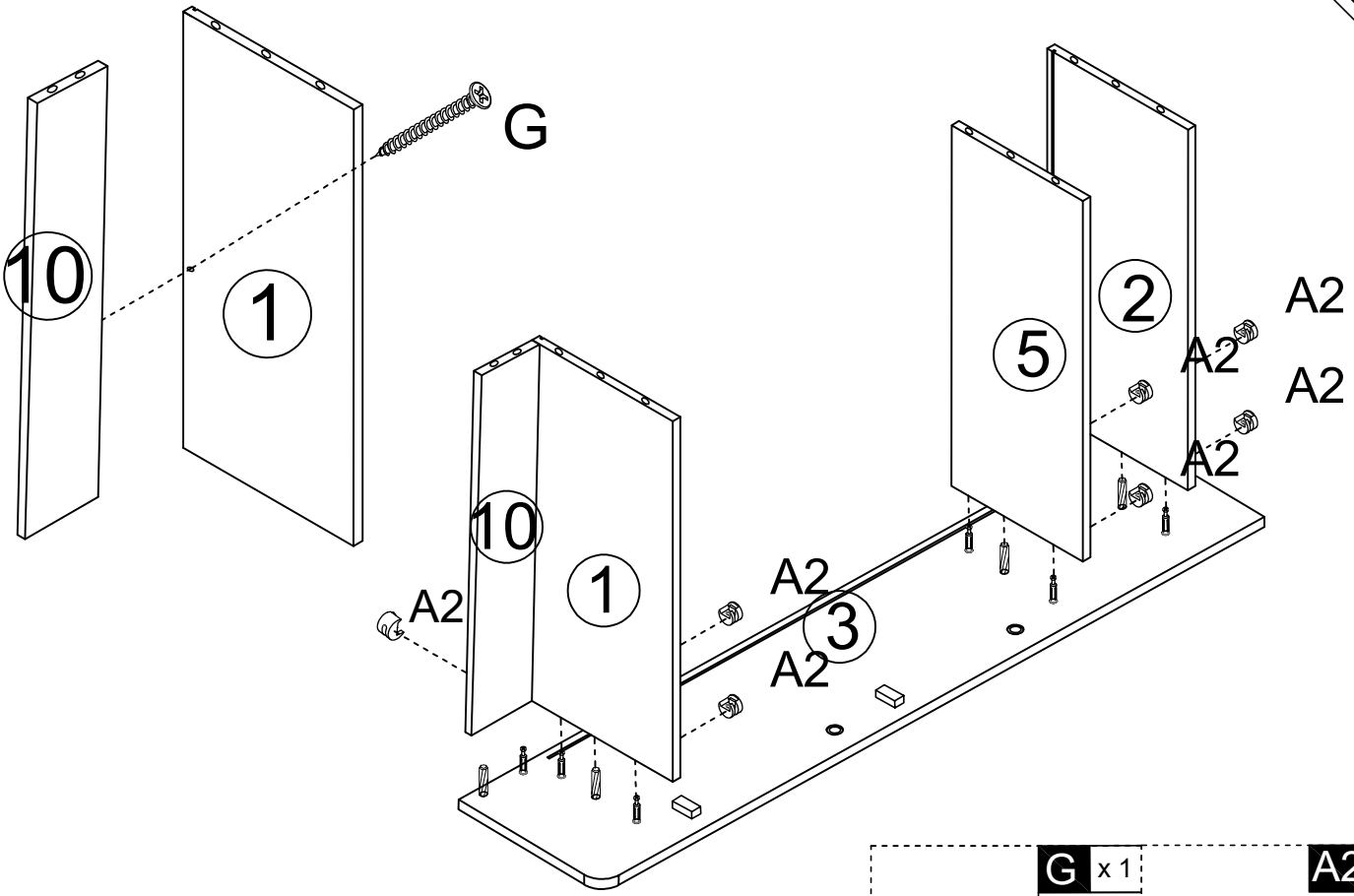
Turn cam lock clockwise to tighten.

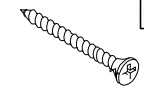



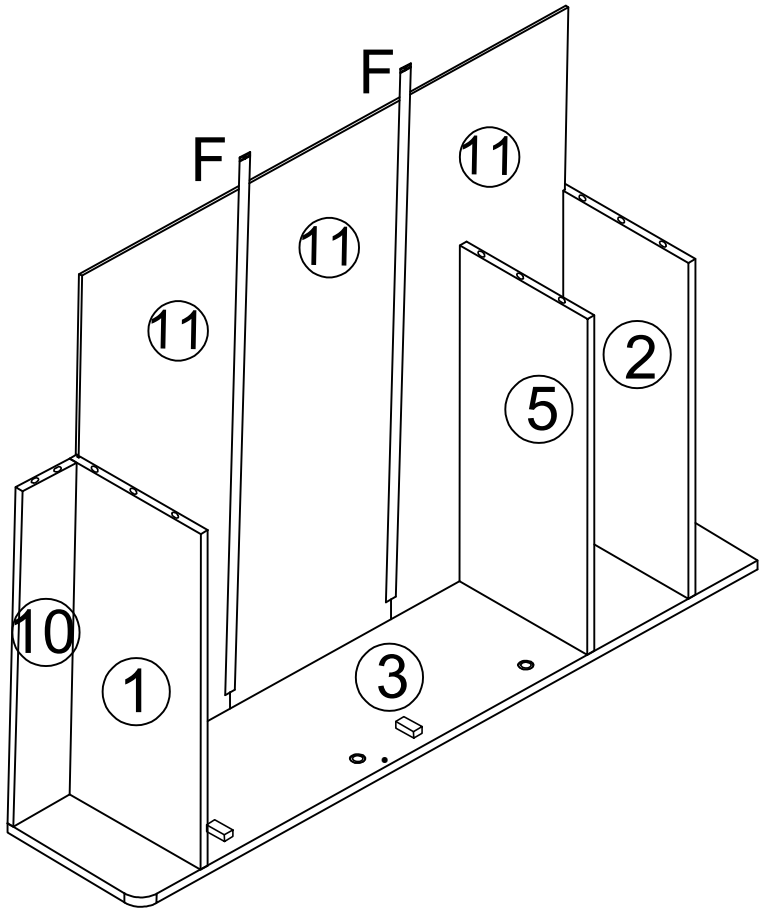
- A1** x14
  - B** x 8  
M8\*40
  - C** x2
- 




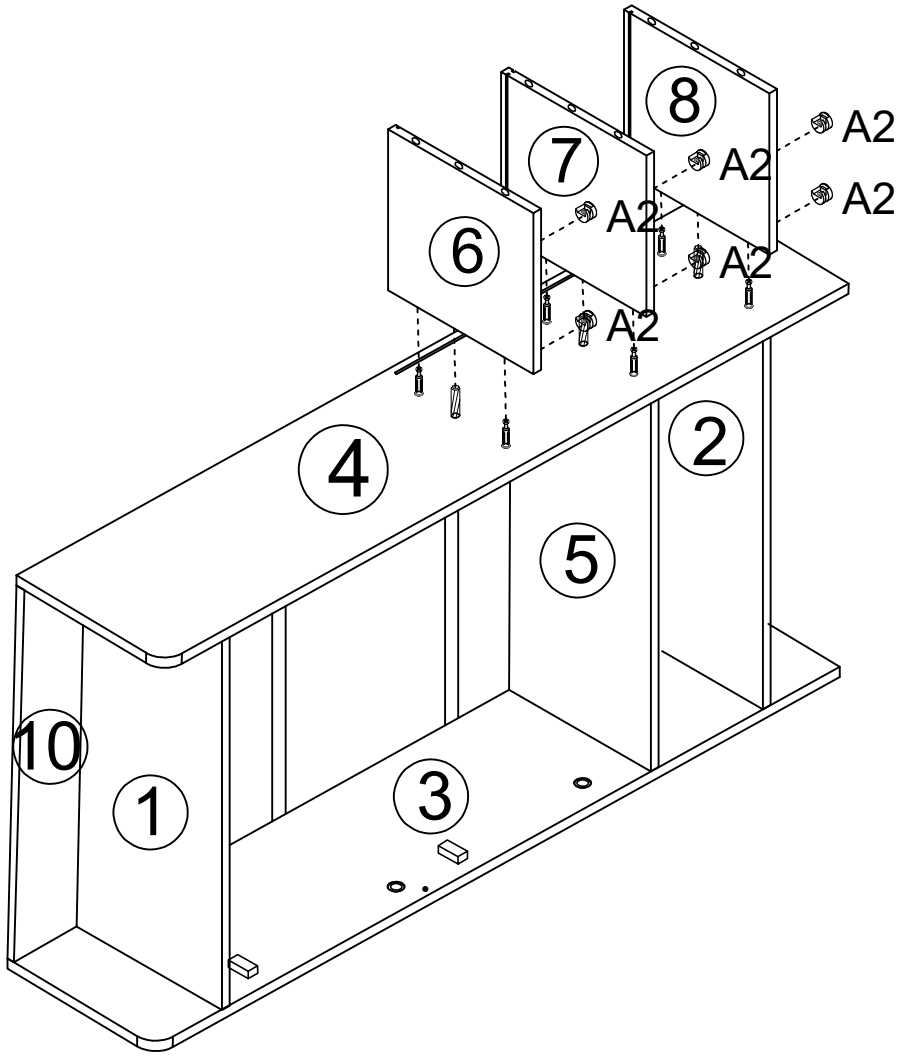
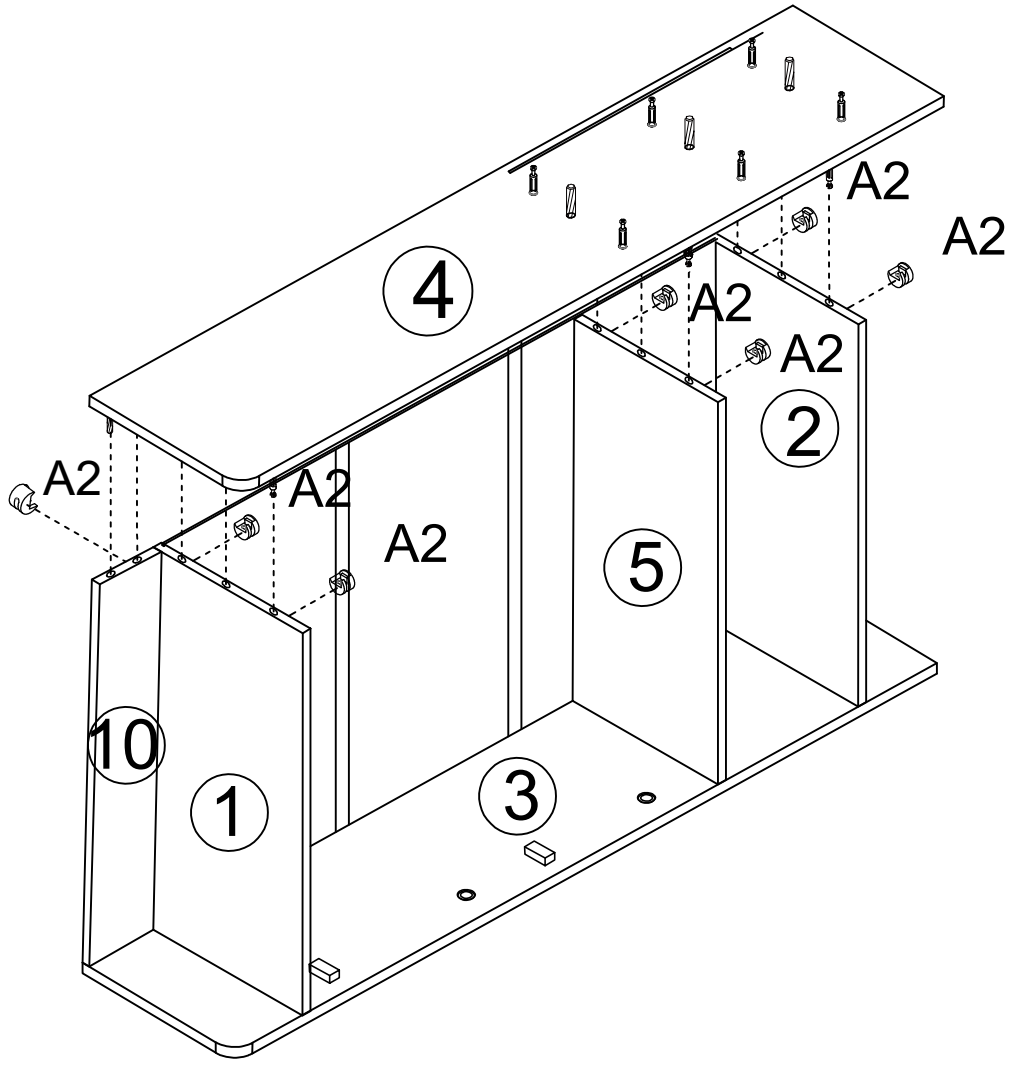
- M1** x 4
  - A1** x12
  - B** x 6  
M8\*40
-

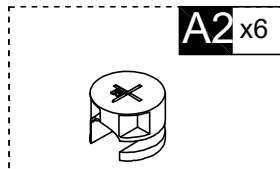
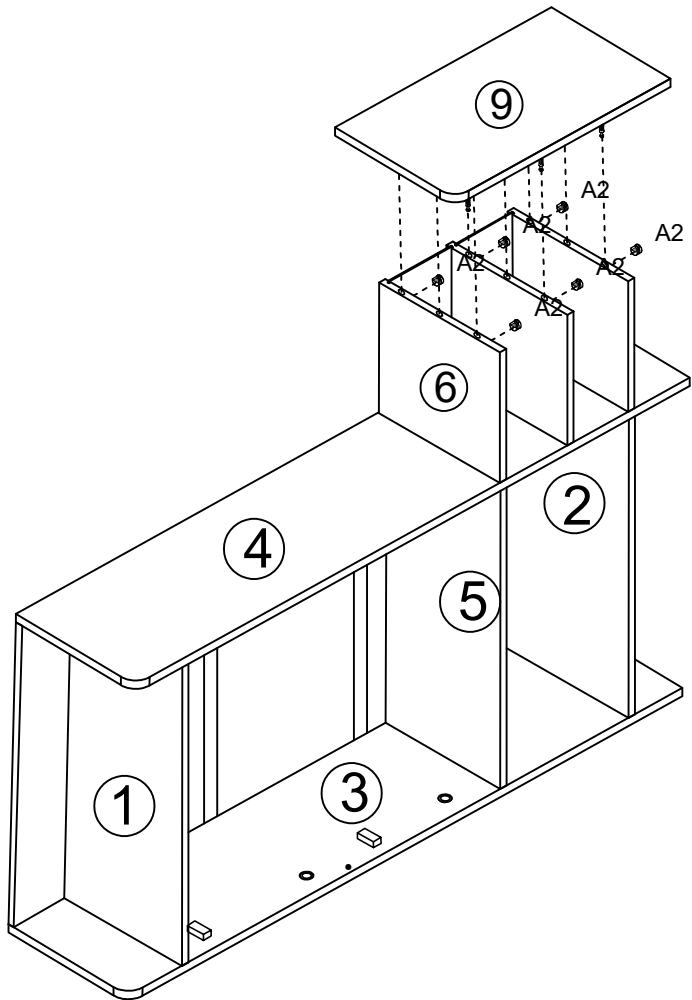
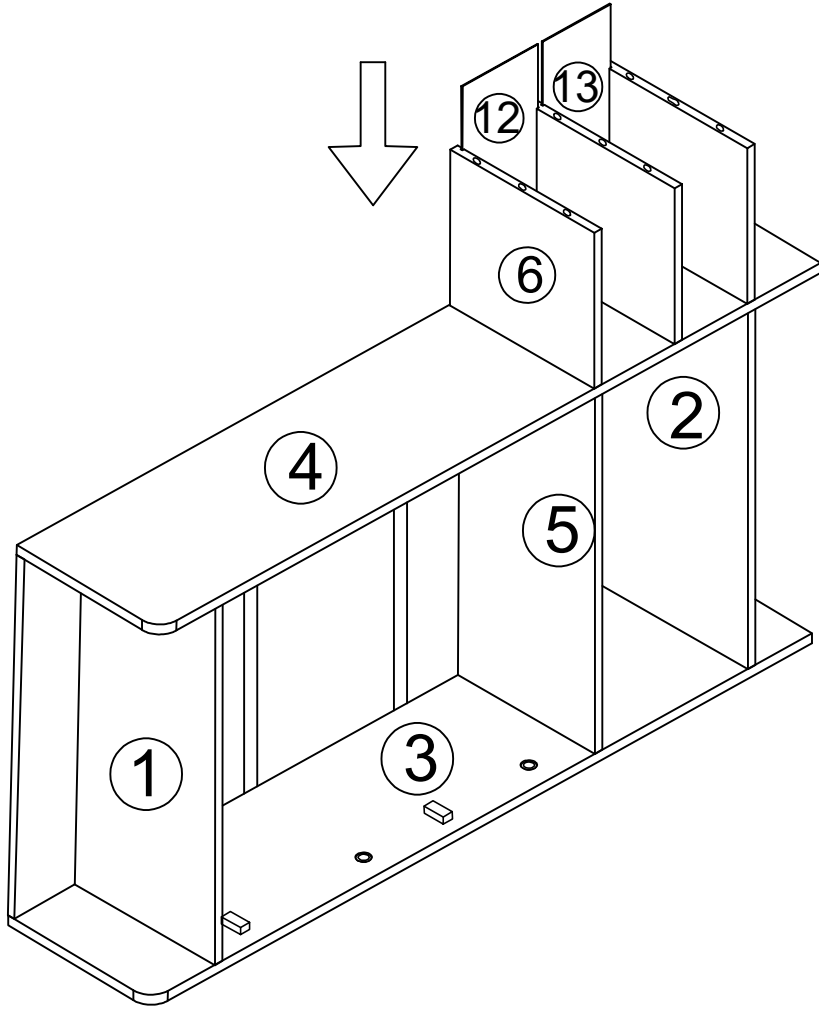


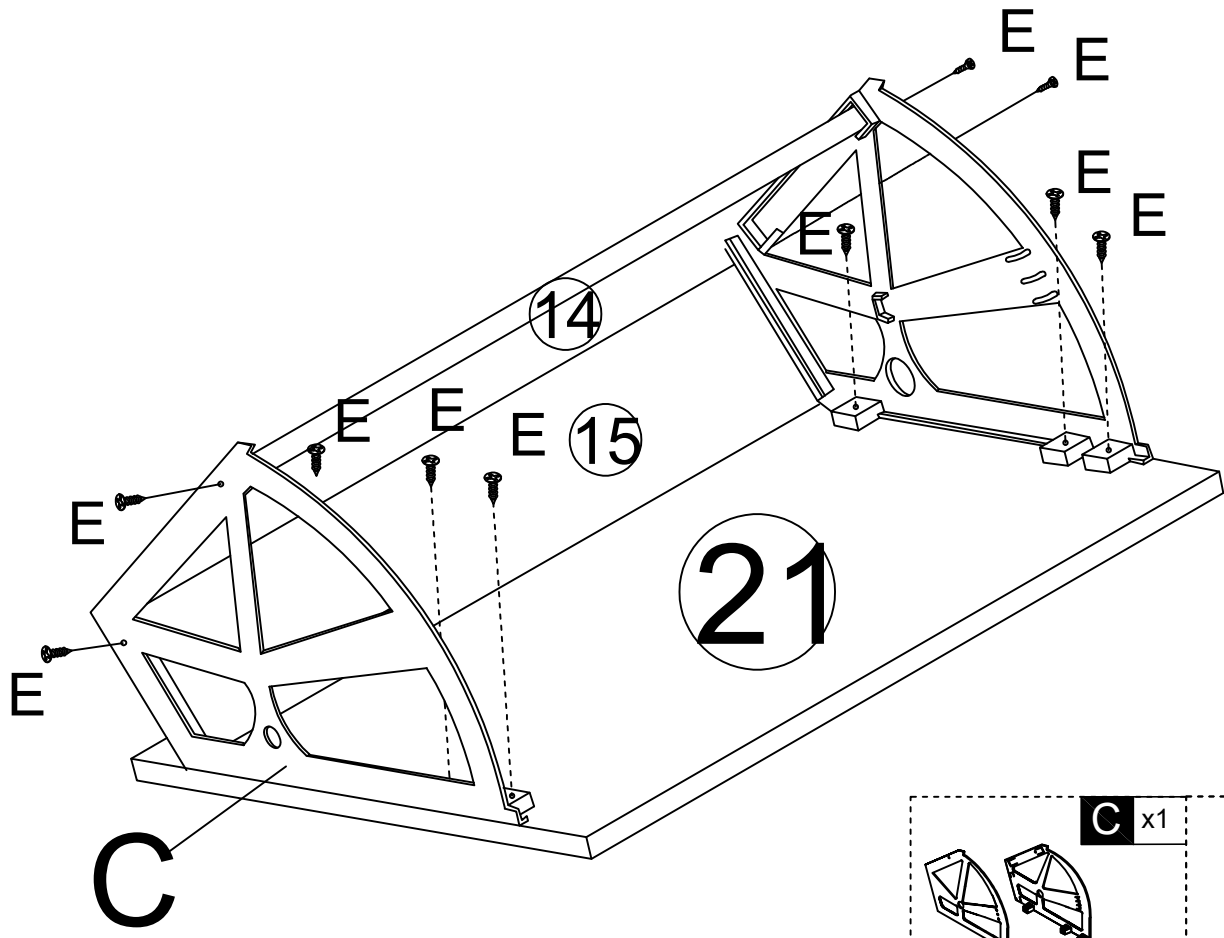
<b>G</b> x 1 M3.5*35	<b>A2</b> x 7
	



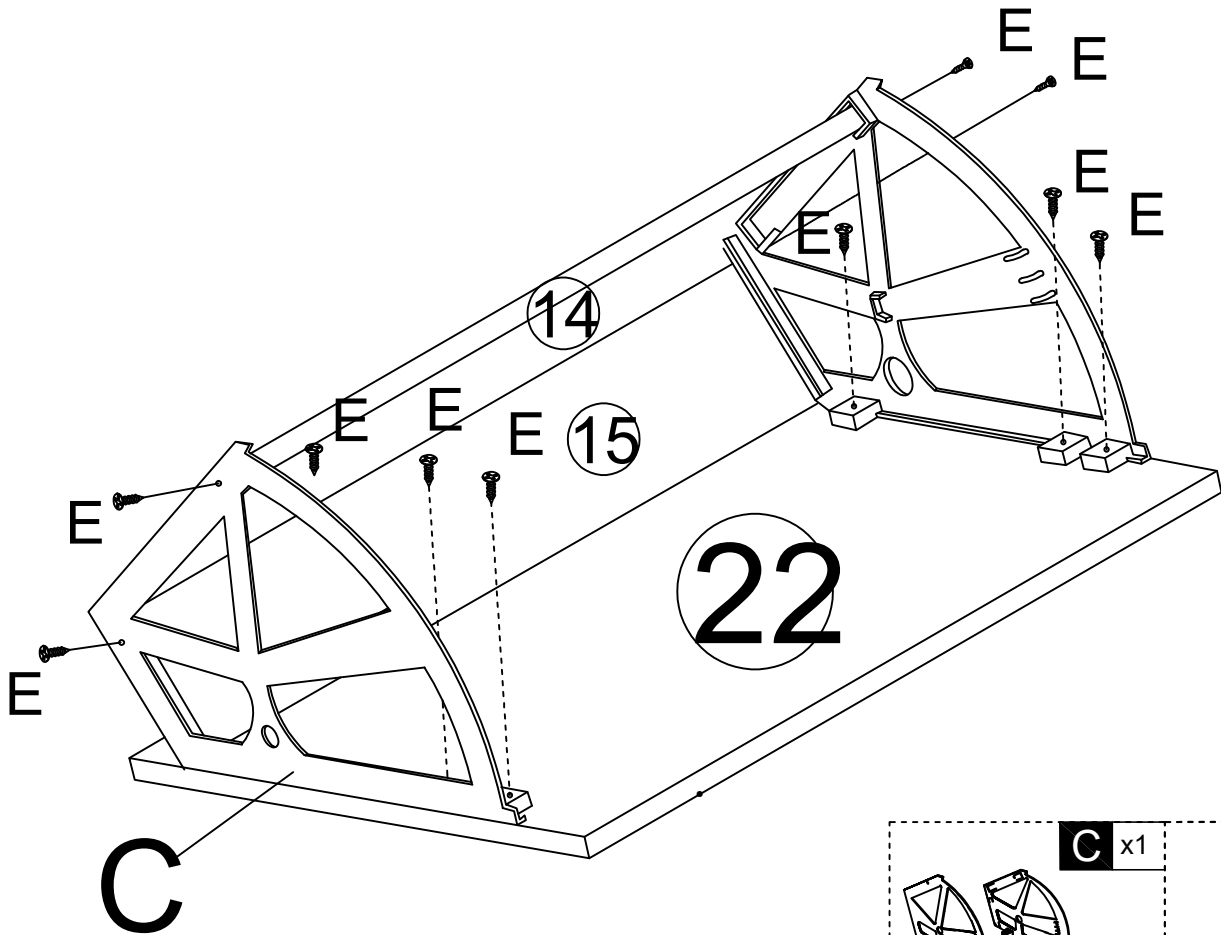
<b>F</b> x 2 769MM




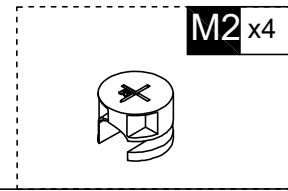
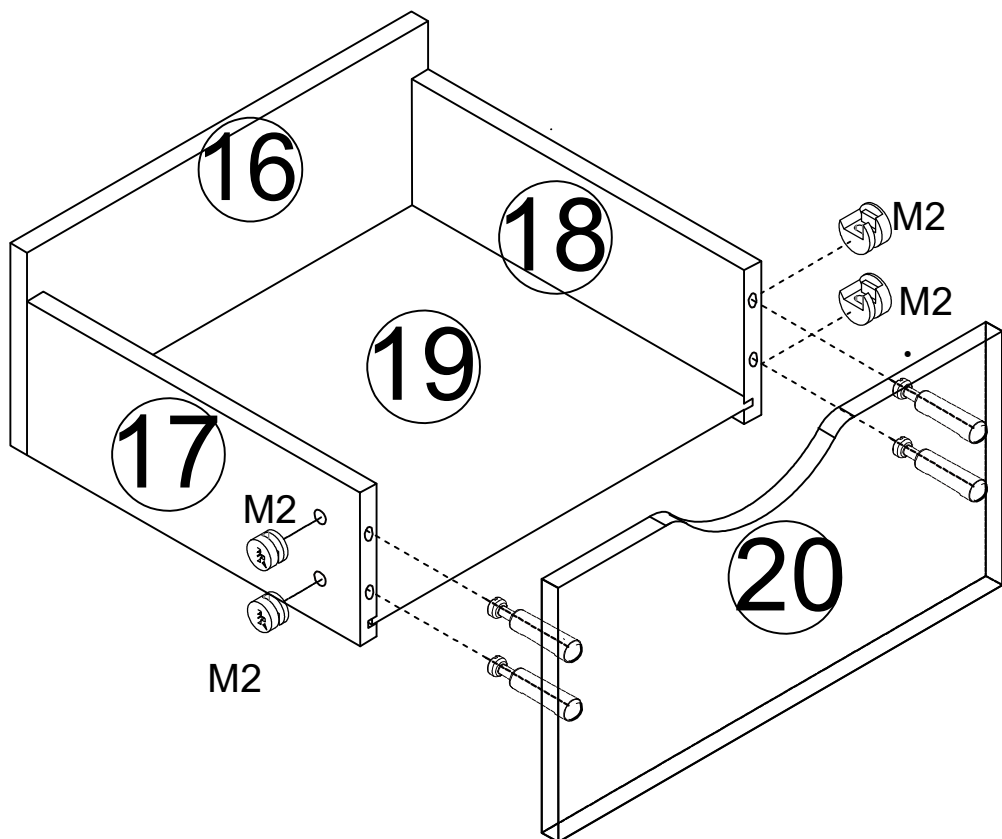
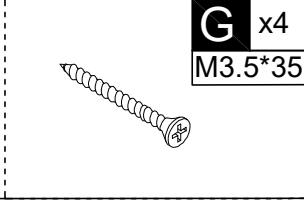
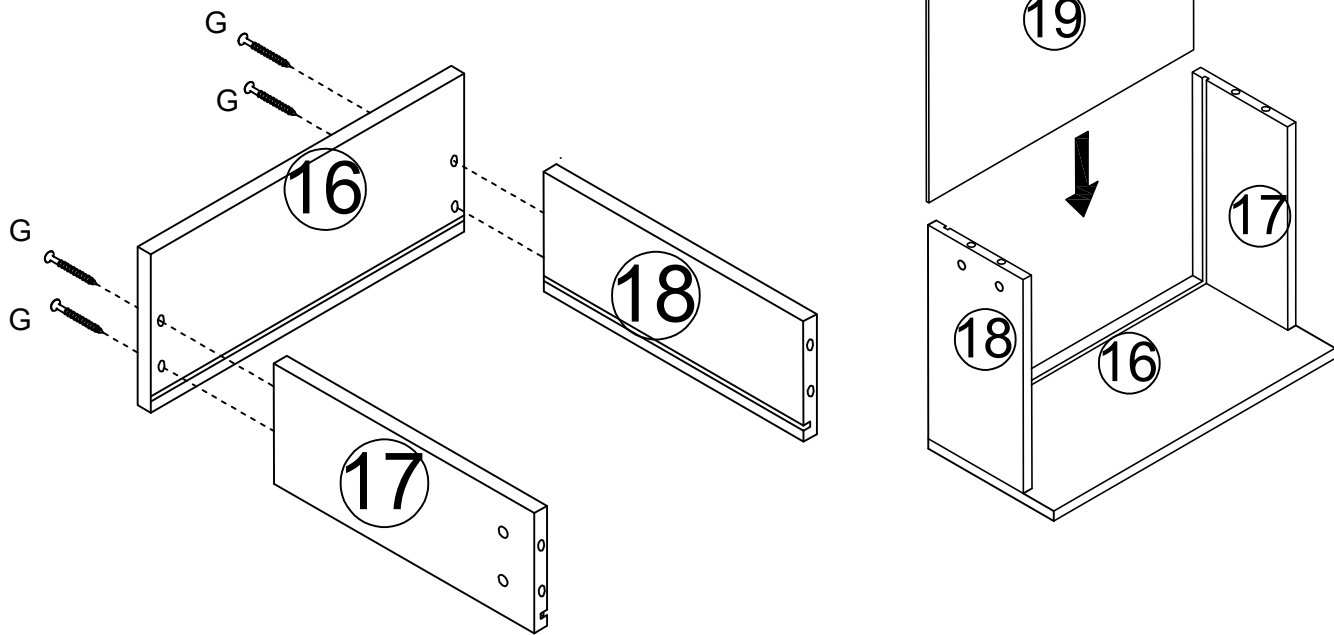


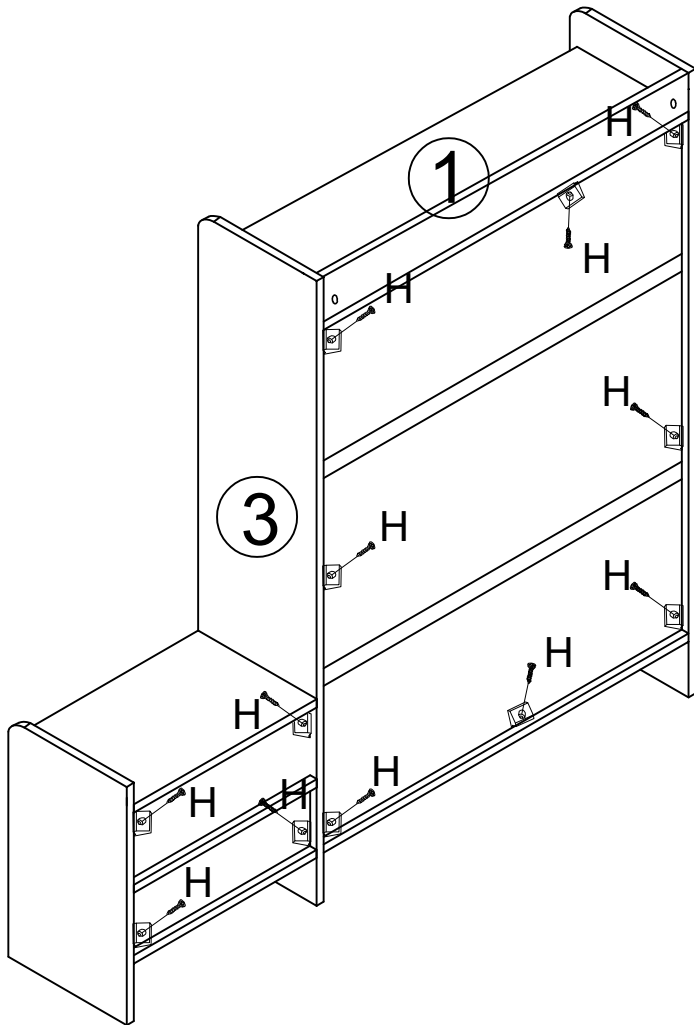


<p><b>C</b> x1</p>	<p><b>E</b> x10 M3.5*14</p>
--------------------	---------------------------------

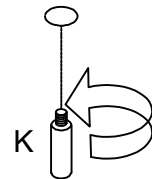
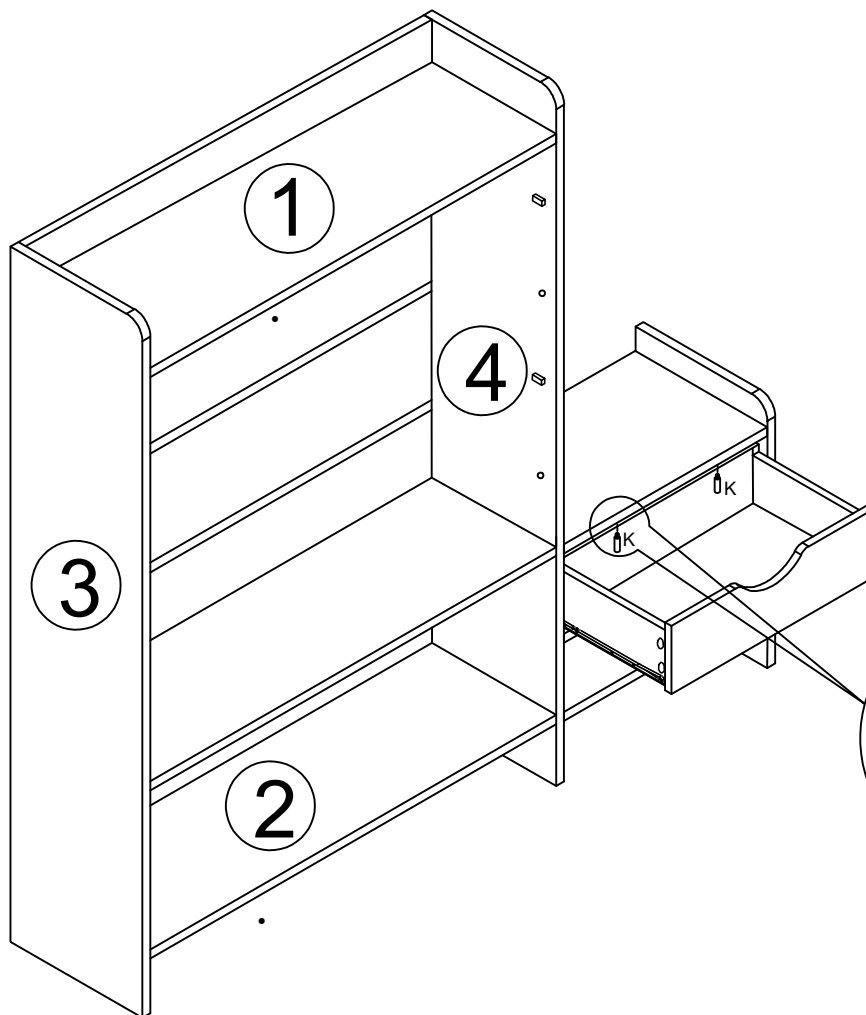
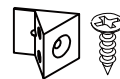


<p><b>C</b> x1</p>	<p><b>E</b> x10 M3.5*14</p>
--------------------	---------------------------------



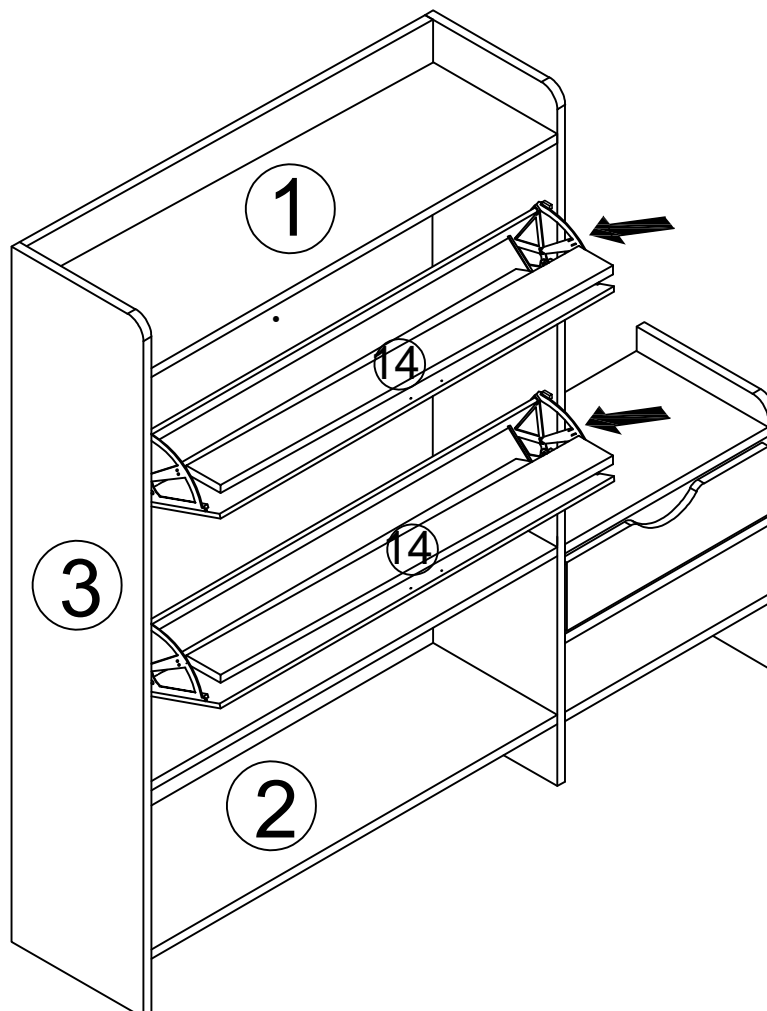
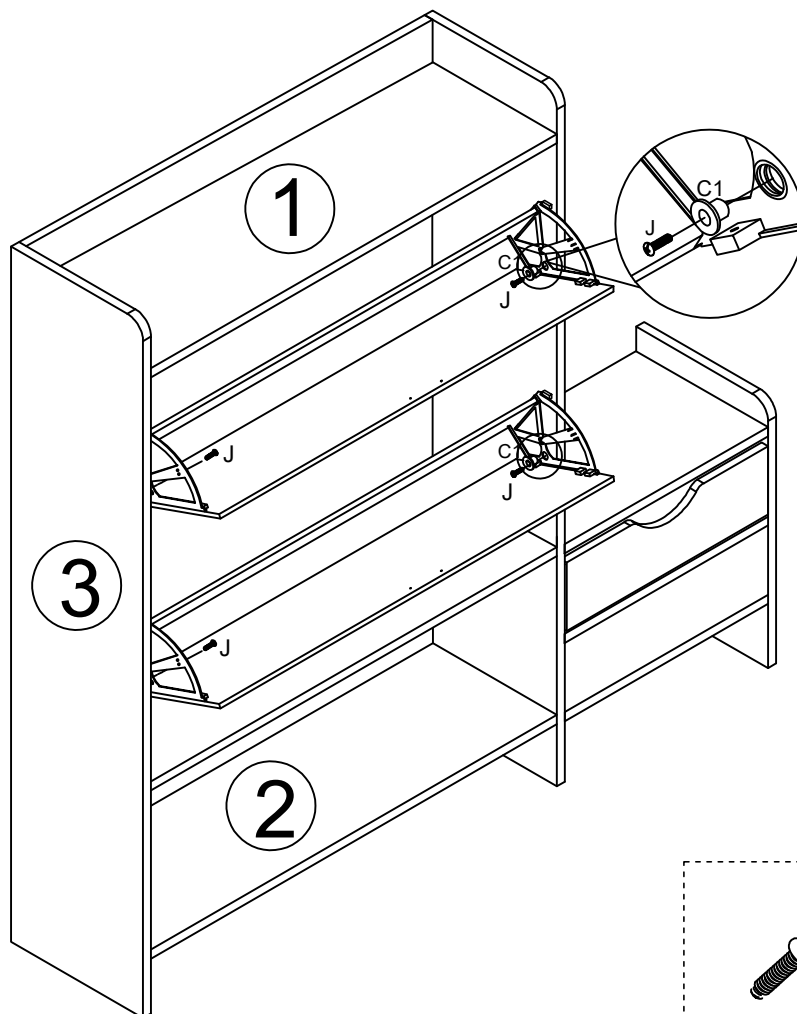


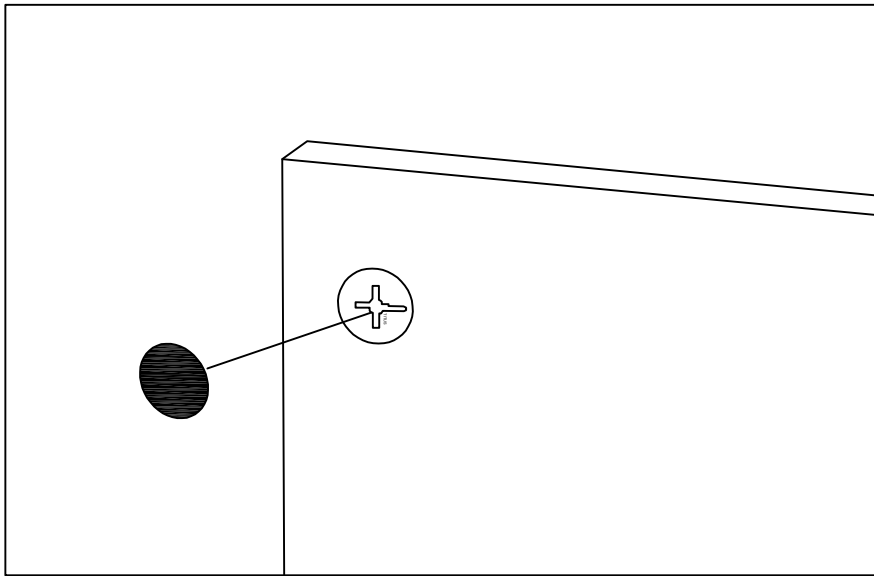
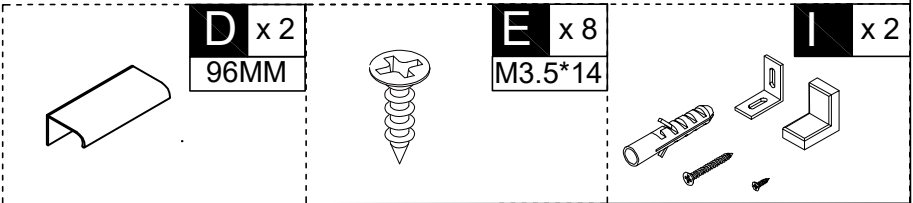
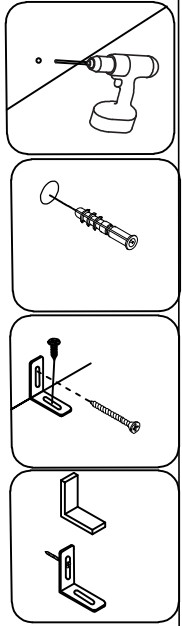
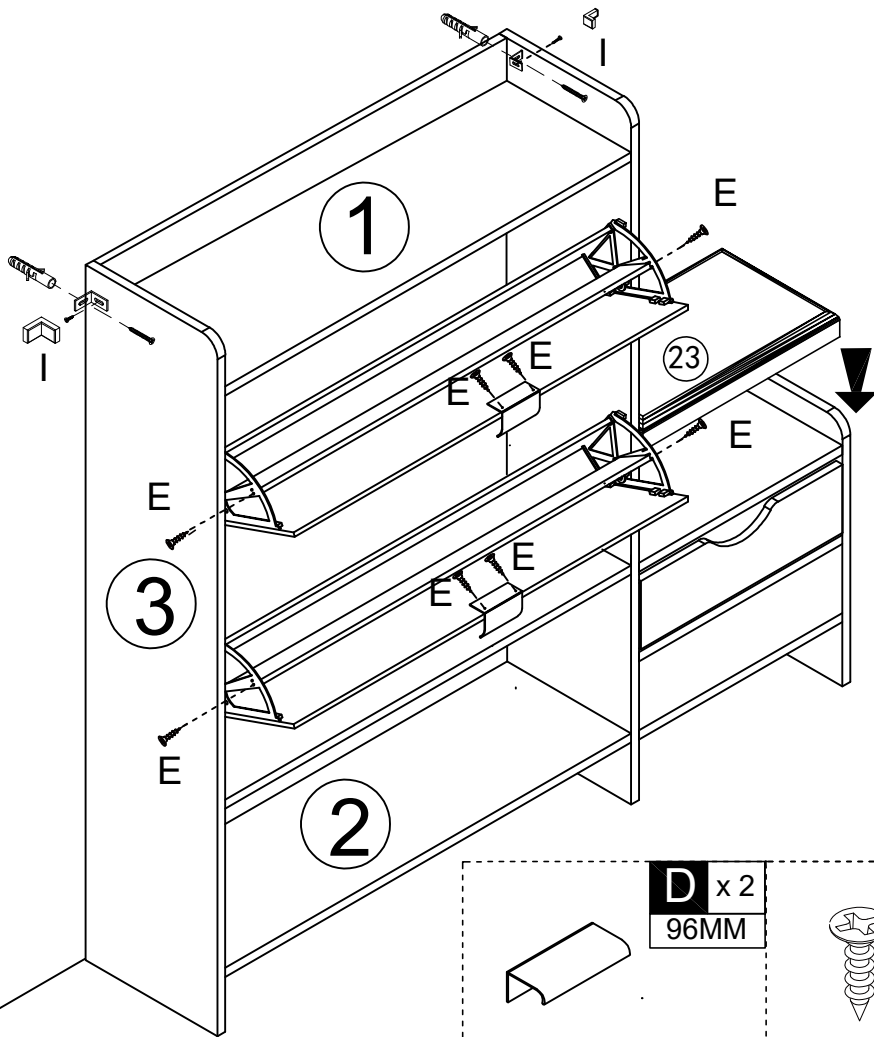
H x12  
M3\*14



K x2







EN: After installing the product, stick the number L on the perforated position

