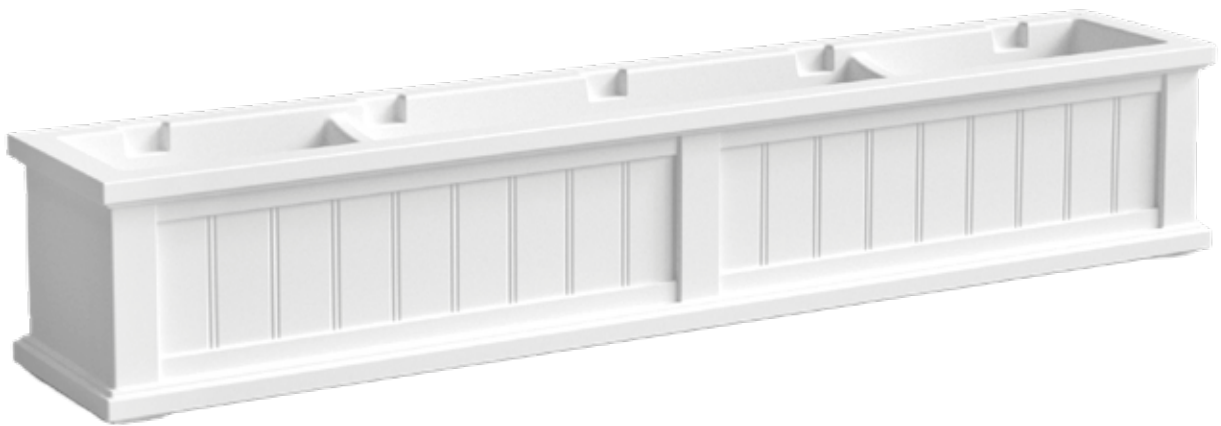


# Window Box



Thank you for purchasing!

Available in various sizes:

**3FT**

36in L x 11in D x 10.8in H  
7.2 Gal Soil Capacity

**4FT**

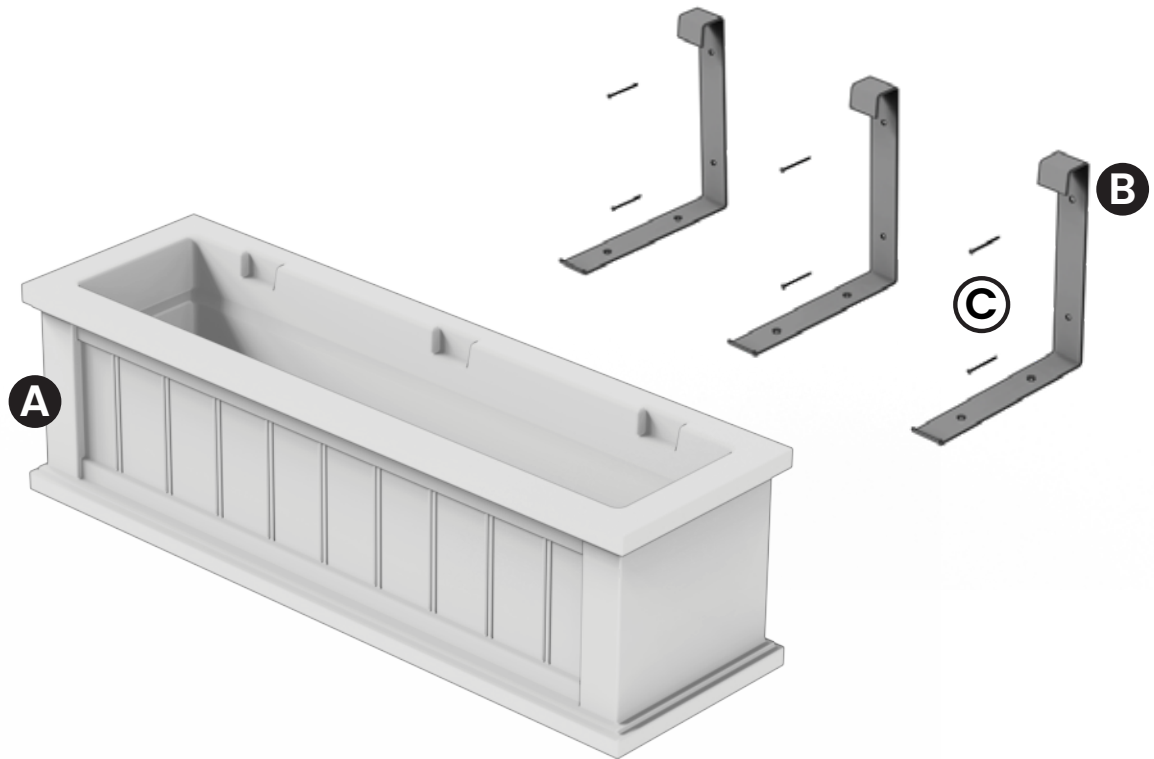
48in L x 11in D x 10.8in H  
10 Gal Soil Capacity

**5FT**

60in L x 11in D x 10.8in H  
11.3 Gal Soil Capacity

**GENERAL INFORMATION:**

- Read through all instructions before beginning assembly.
- Inspect all the pieces to ensure you have everything you need.
- Avoid overloading the window box; use lightweight fillers and potting mixes.
- Wall mount brackets come with screws for general use. For brick and concrete, use masonry screws or anchors (not included).



**Package Contents:**

**A** Window Box

**B** Wall Mount Brackets  
 3FT: 3 brackets  
 4FT: 4 brackets  
 5FT: 5 brackets

**C** 2-inch Steel Screws  
 2 screws per bracket

**Advantage:**

- Material: 100% high-grade Polyethylene
- Warranty: 15-year residential warranty and 2-year on hardware
- Easy Care: Use a soap solution and rinse with high-pressure water
- UV Protected: Built-in UV inhibitors prevent fading and discoloration
- Self-Watering: Intergrated water reservoir creates self-watering effect
- All Season Use: Resistant to high impact, chemicals and extreme weather conditions

## Tools Needed:



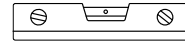
Power Drill



Phillips  
Screwdriver Bit

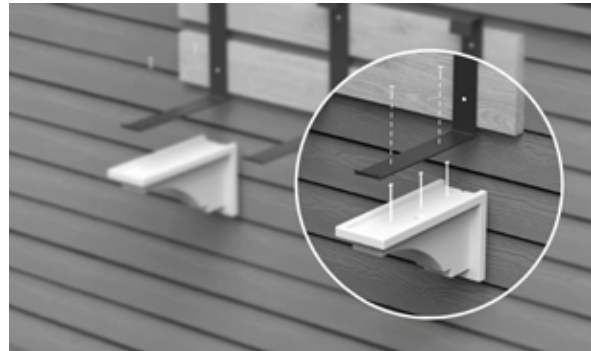


Stud Finder



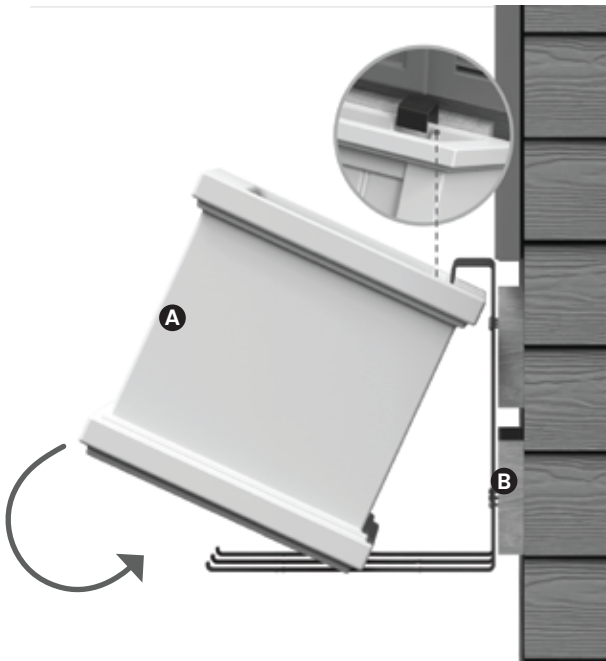
Level

- Secure wall mount brackets (B) with the 2-inch screws (C), spaced 12 inches center-to-center. For siding, use 1" x 4" wood strapping, secure to wall studs with a stud finder, and attach brackets to strapping. For brick/concrete walls, use masonry screws (not included).



**Optional Decorative Brackets (sold separately):** Attach decorative brackets to the bottom of wall mount brackets with two 1-inch screws. Ensure the front lip of the wall mount bracket is flush against the decorative bracket. Do not over-tighten.

- Tip the window box (A) into the wall mount brackets (B), ensuring the bracket lips fit into the molded grooves on the back rim.



- Ensure the molded feet of the window box sit flush on the brackets, with the front edge against the lip. You may need to bend the bracket upward for a tighter fit.



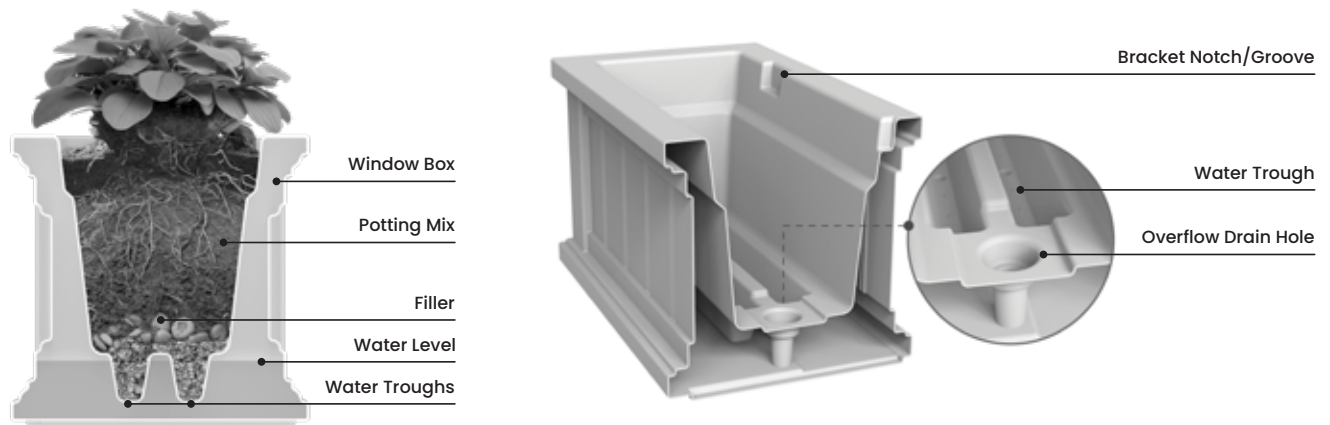
# WINDOW BOX

## The Window Box

Our Window Boxes feature a double-wall design with a built-in water reservoir at the bottom. This self-watering system keeps soil and roots moist by drawing water upward from the reservoir.

### How It Works:

- **Initial Watering:** Water regularly for the first few weeks to help roots grow into the troughs.
- **Self-Watering:** Once established, plants pull moisture from the reservoir, keeping the potting mix moist longer than traditional planters.
- **Overflow Protection:** An overflow hole prevents oversaturation by allowing excess water to drain out.



## General Planting Recommendation:

To get the most out of your self-watering planter, follow these steps:

### 1. Add Lightweight Filler (Optional but Beneficial)

- Start by adding a few inches of lightweight filler to the bottom of your planter. This step is optional but offers three key benefits:
  - **Reduces Potting Mix Usage:** Saves on the amount of potting mix needed.
  - **Encourages Root Growth:** Promotes faster root growth down into the troughs.
  - **Lightweight Options:** Use materials like mulch, wood chips, crushed water bottles, or foam packing peanuts (avoid foam peanuts if growing edible plants).

### 2. Fill with Potting Mix

- Fill the planter with potting mix, leaving about an inch from the top. Avoid using regular garden soil as it compacts easily and doesn't provide adequate aeration or drainage.

## Water Reservoir Access and Drainage Guide:

This window box features a double-wall design with a built-in water reservoir. Some window boxes may include a pre-drilled hole with a removable rubber plug, providing easy access for filling or draining, particularly for winter preparation.

**NOTE:** Results vary by plant type and root depth.

