

Respected User of cobbe®

Thanks for your trust and support! For your better feeling to use our kitchen sensor faucet, please read this instruction carefully before installation.

Basic Information

Item Number	Brand	Material	Color
KC05T01	cobbe®	Stainless Steel + Zinc Alloy + ABS	Brushed Nickel; Chrome; Oil Rubbed Bronze

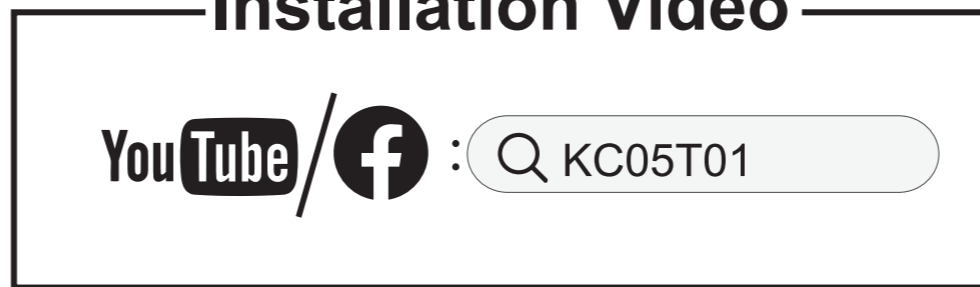
Any question or concern, please feel free to email us: support@cobbe.com

— Contact Us —



Installation Manual

— Installation Video —



— Contact Us —



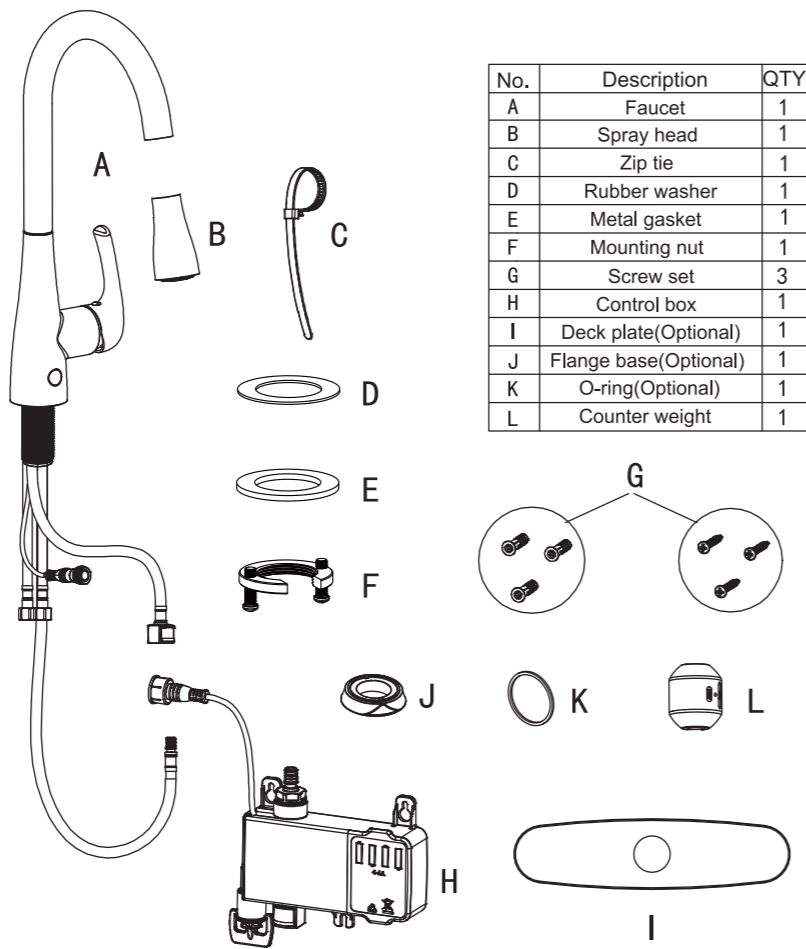
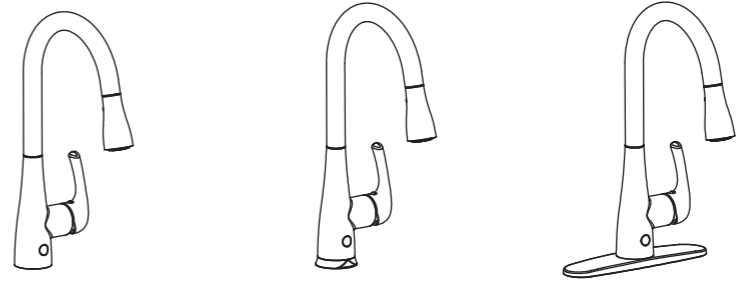
技术要求:

1. 模切: 模切规范光滑、不得有毛边毛刺。
2. 尺寸: 尺寸符合所定公差标准。
3. 可读性: 条形码二维码不得读不出来。
4. 成型: 表面光滑无折皱、变形现象。
5. 印刷: 图案清晰、规范、无错版、缺版; 色块颜色均匀, 无其它色斑。
6. 印刷反白处鲜明, 无毛边, 无油墨堆积痕迹; 文字、符号清晰, 符合标准封样。
7. 套印: 套色吻合准确、无重影现象; 图案清晰, 光泽柔和, 不允许出现明显色差现象。
8. 油墨耐晒性: 黄变灯下十二小时色块不得出现黄变、褪色等现象。

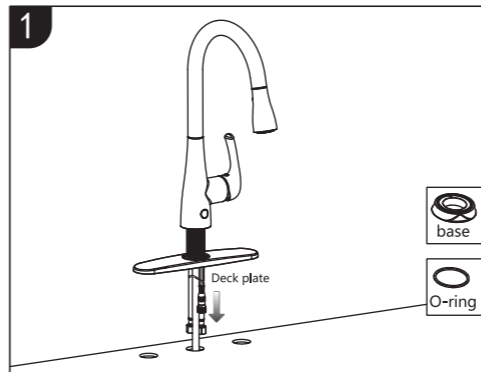
备注: ■ =标注; 刀模线 (不印刷) 虚线对折				FBT ForBetter 厦门方特卫浴有限公司	图号	704025-238001	版次	
					品名	厨房抽拉感应龙头英文说明书	印刷	2
文件更改记录	更改内容	更改人	更改日期	制图	材质/工艺	100克双胶纸 (双面印刷, 对折)	印刷	黑白
	版本1变更2, 修改版面和尺寸 设变单RDT-202008			业务	表面处理	/	单位	
				审核	成品尺寸	42*29.7	cm	
					第1页 共2页		公差	外箱±0.5内盒±0.3其它±0.1

正面

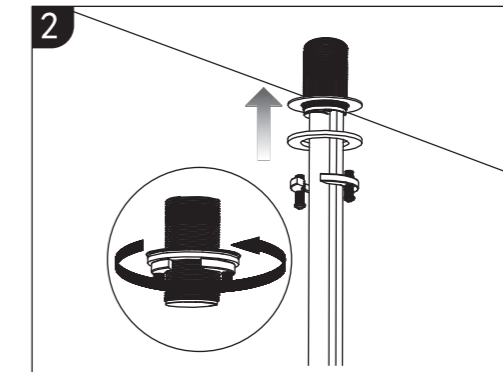
KITCHEN SENSOR FAUCET USER MANUAL



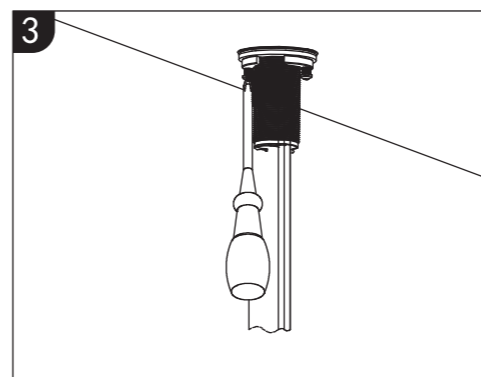
No.	Description	QTY
A	Faucet	1
B	Spray head	1
C	Zip tie	1
D	Rubber washer	1
E	Metal gasket	1
F	Mounting nut	1
G	Screw set	3
H	Control box	1
I	Deck plate(Optional)	1
J	Flange base(Optional)	1
K	O-ring(Optional)	1
L	Counter weight	1



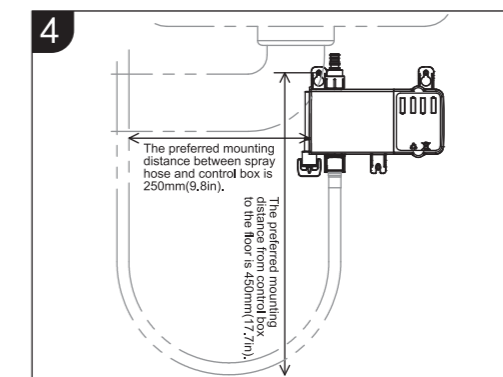
For 1-hole sink, insert the O-ring (or base) over the cable, hoses and the shank into (or to) the faucet bottom, and then mount the faucet on the sink. For 3-hole sink, insert deck plate over the cable and hoses in the mounting shank, aligning the grooves in the deck plate with the arches on the faucet bottom, and then mount the faucet on the sink.



Slide the rubber washer first, the Metal gasket second, and then the mounting nut over the hoses and the data cable onto the stem and hand tighten them firmly.

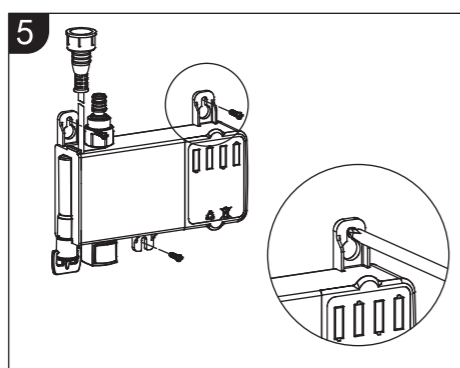


Use a screwdriver to thread the 2 screws.

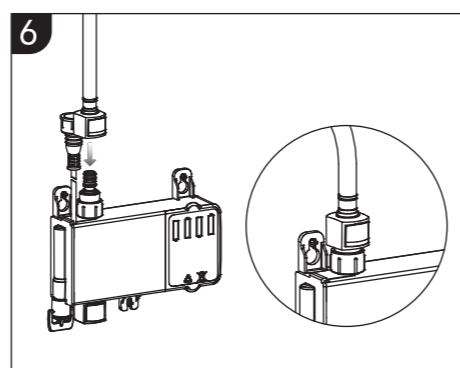


The dimension shown in the figure is a preferred mounting distance for control box (The distance can be adjusted to better fit your space).

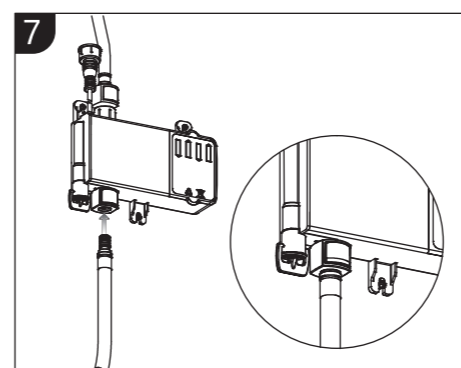
- We reserve the right to make revisions in the design of faucets without notice.
- Image is for reference only, styles varies by models.



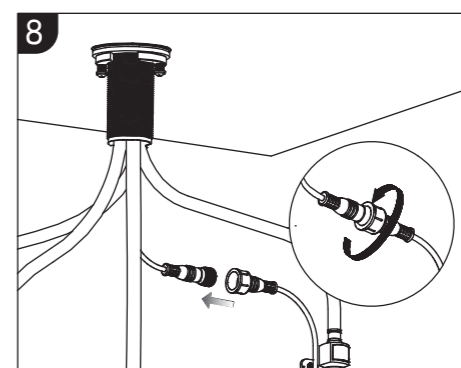
Mount the screws into the wall under the sink and hang the control box according to the preferred mounting distance.



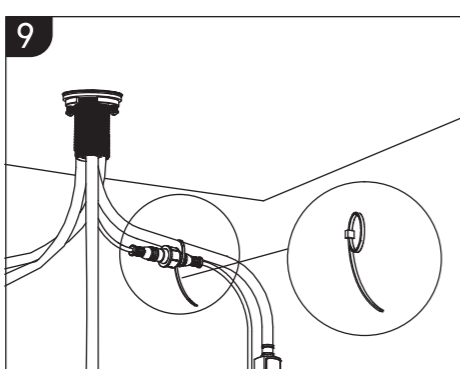
Attach the outlet hose to the adapter on top of the control box with the "quick-connection".



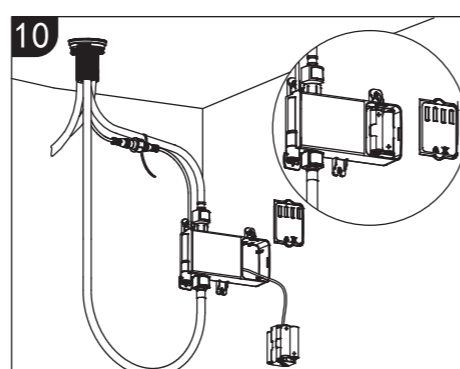
Attach the black nylon braided hose to the adapter at the bottom of the control box.



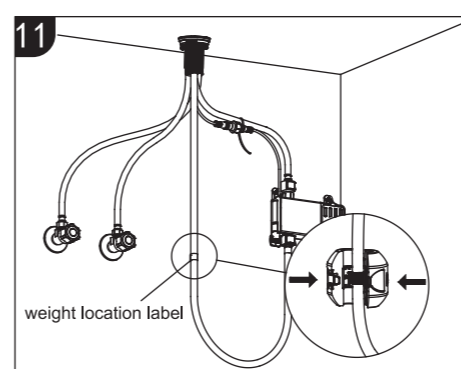
Connect the sensor cables and hand tighten them firmly.



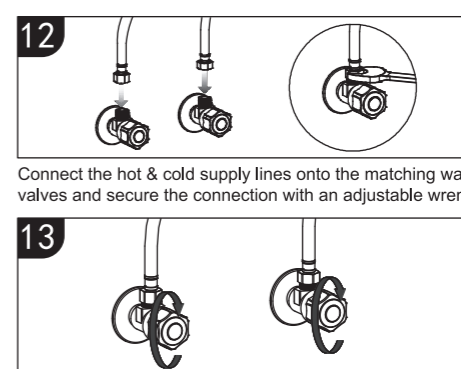
Tie the sensor cable together with the outlet hose by using a zip tie.



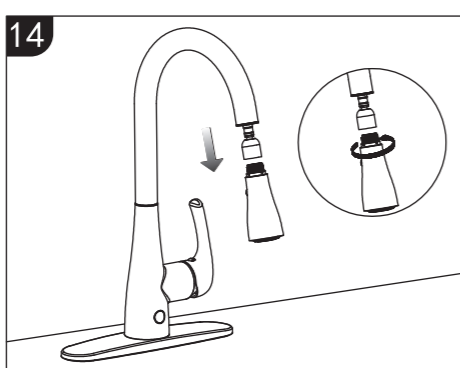
Remove the battery pack cover on control box and take out the battery pack; insert 4 AA batteries(sold separately). Put the battery pack back in the control box and replace the cover firmly. The batteries should be charged or changed when the sensor flashes a red light.



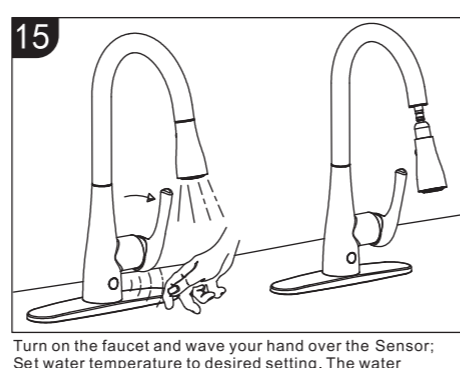
Install the counterweight on the pull-down hose at the marked position(it should be placed on the line), and secure it with a screwdriver.



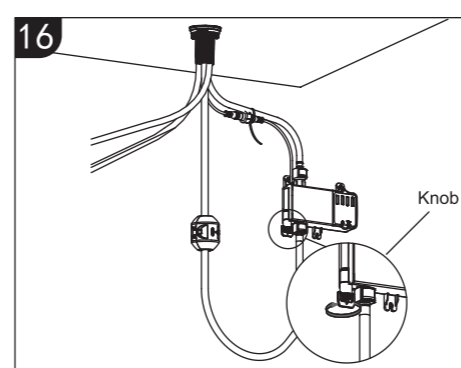
Connect the hot & cold supply lines onto the matching water valves and secure the connection with an adjustable wrench.



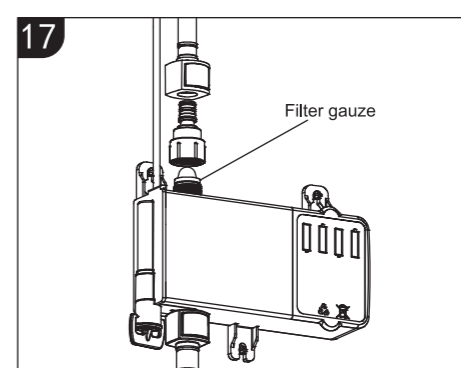
Attach and secure the spray head onto the pull-down hose.



Turn on the faucet and wave your hand over the Sensor. Set water temperature to desired setting. The water temperature changes by manipulating the handle. Run the water and it will stop automatically in 3 minutes. Check for leaks. Then pull out the spray head (the infrared sensor will start working when the spray head is pulled out). Slide the spray head back in original position, and the water turns off. (some models don't have pull down sensor). Repeat the operation several times, and check for errors. If none, then the faucet is good for use. It is recommended to turn the handle off when the faucet will not be in use for an extended amount of time.



For manual operation, turn the knob beneath the control box counter-clockwise to the end (as shown in figure 16). The sensor will be disabled and the faucet will be operational by the handle only.



If the water flow rate is lower than normal, there may be built up on the filter gauze. Shut off the water valves and remove the outlet hose from the control box and unscrew the inlet adapter from the control box. Take out the filter gauze and clean it. Reassemble the outlet hose connector, inlet adapter, and filter gauze as shown on the figure above.

技术要求:

1. 模切: 模切规范光滑、不得有毛边毛刺。
2. 尺寸: 尺寸符合所定公差标准。
3. 可读性: 条形码二维码不得读不出来。
4. 成型: 表面光滑无折皱、变形现象。
5. 印刷: 图案清晰、规范、无错版、缺版; 色块颜色均匀, 无其它色斑。
6. 印刷反白处鲜明, 无毛边, 无油墨堆积痕迹; 文字、符号清晰, 符合标准封样。
7. 套印: 套色吻合准确、无重影现象; 图案清晰, 光泽柔和, 不允许出现明显色差现象。
8. 油墨耐晒性: 黄变灯下十二小时色块不得出现黄变、褪色等现象。

备注: ■ =标注; 刀模线 (不印刷)
虚线对折

文件更改记录

更改内容	更改人	更改日期
版次1变更2, 修改版面和尺寸 设变单RDT-202008		

FBT
ForBetter
厦门方特卫浴有限公司

制图	业务	审核

图号	704025-238001	版次	2
品名	厨房抽拉感应龙头英文说明书	印刷	黑白
材质/工艺	100克双胶纸 (双面印刷, 对折)	单位	cm
表面处理	/		
成品尺寸	42*29.7		
公差	外箱±0.5内盒±0.3其它±0.1		