

MIRROR 24"

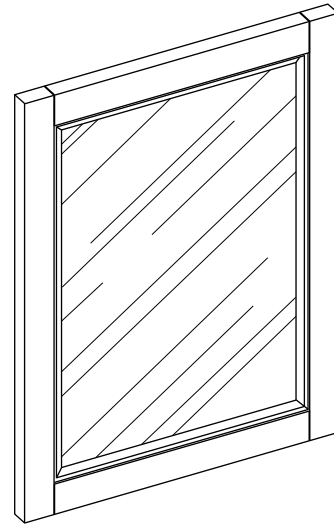
WALL MIRROR

Colors/Finishes: Navy Blue, White

Nominal Dimension: 24W*1.4D*32H inches

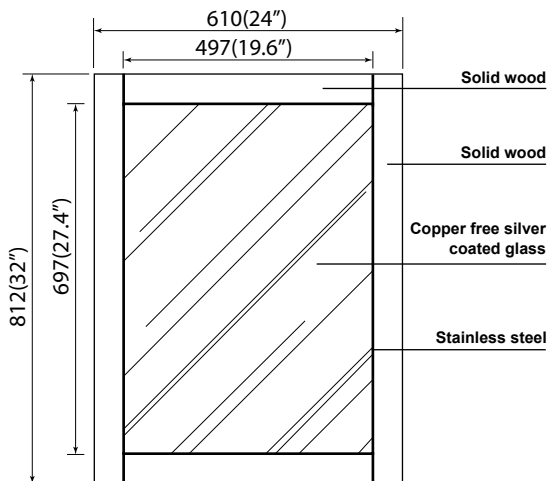
FEATURES:

- Durable solid poplar wood frame
- Beveled edge mirror
- Mirror hangs vertically or horizontally
- Wall cheats for easy hanging and leveling

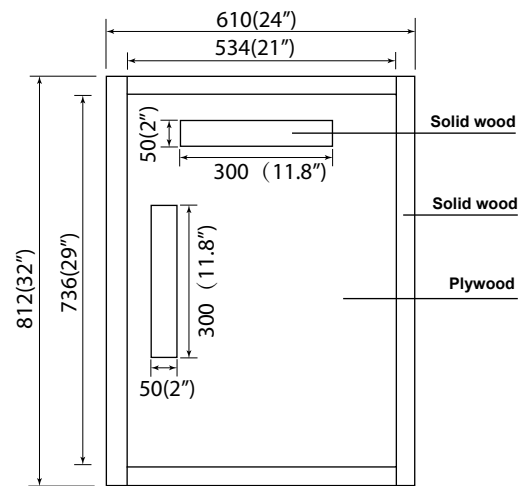


PRODUCT DIAGRAMS:

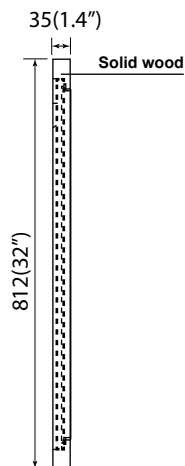
Front



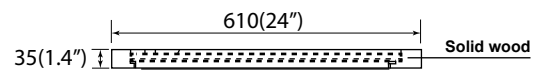
Back



Side



Top



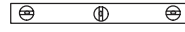
All dimensions and specifications are nominal and may vary. Use actual products for accuracy in critical situations.

Mirror Installation

SUGGESTED TOOLS AND MATERIALS



Screwdriver



Level



Drill



Tape Measure



Safety Glasses

PARTS



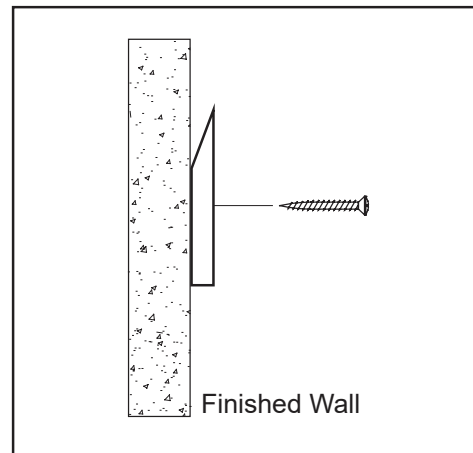
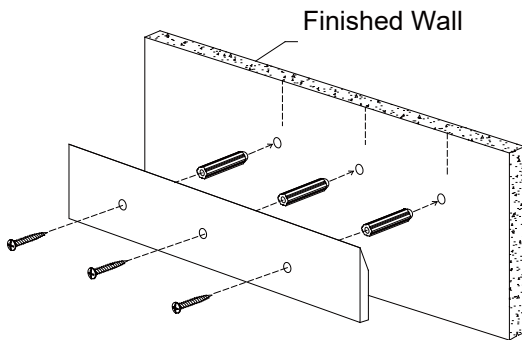
3x



3x

INSTALLATION INSTRUCTIONS

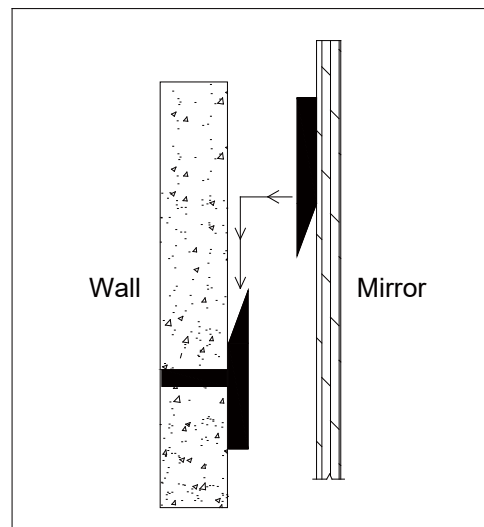
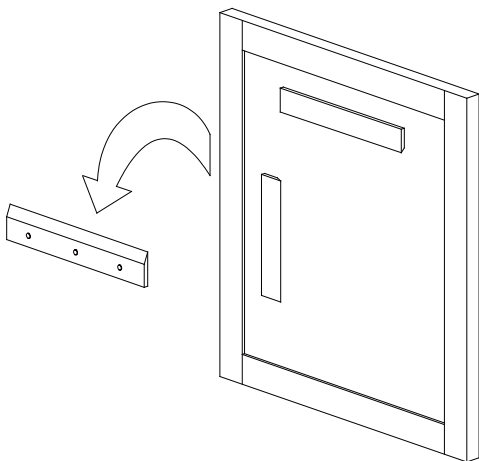
1



Remove wood cleat and screws from package.

Secure the wood cleat on the finished wall with screws. Make sure to hit wall studs or use provided wall anchors.

2



Hang mirror on the secured wood cleat.