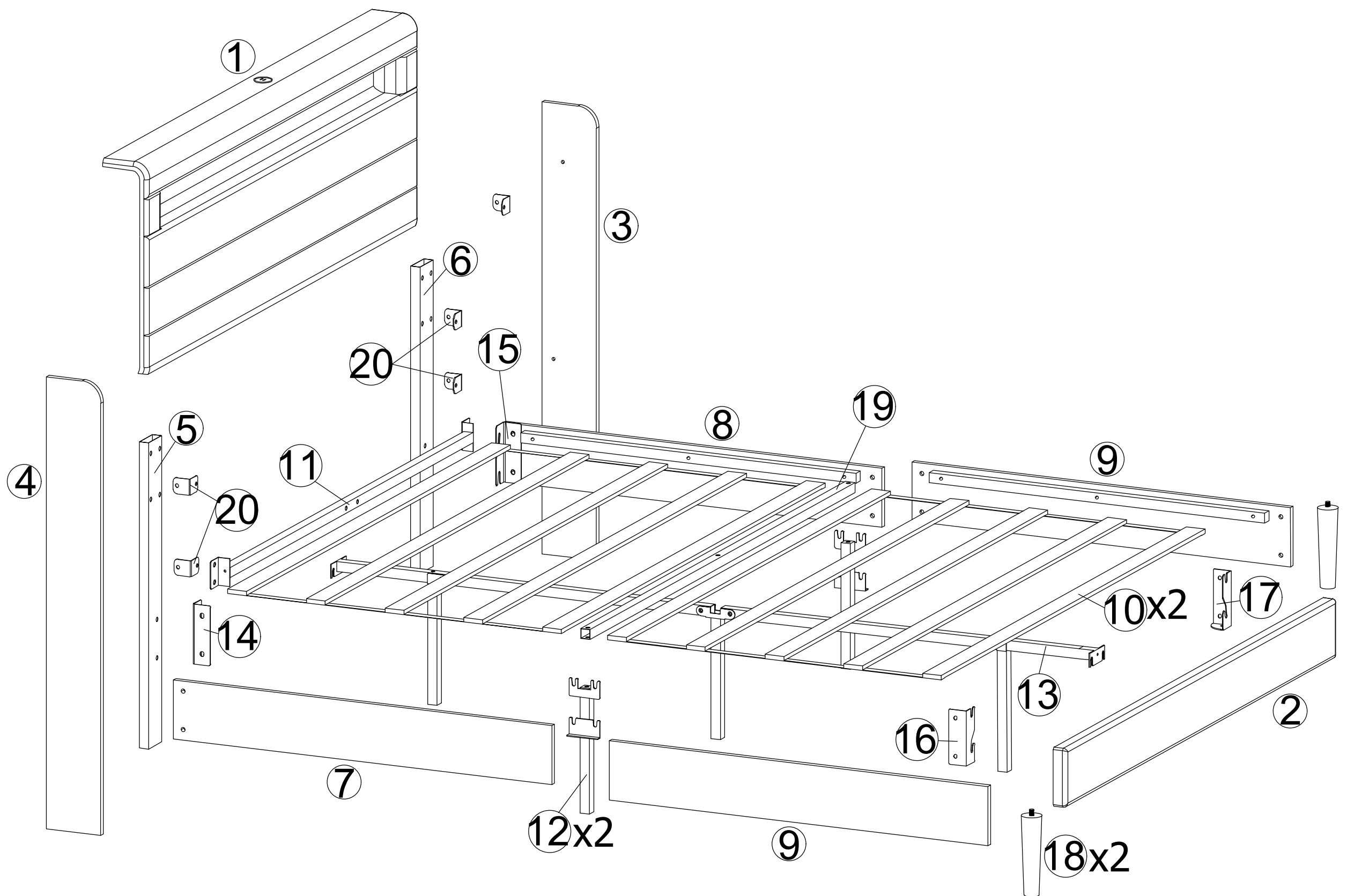
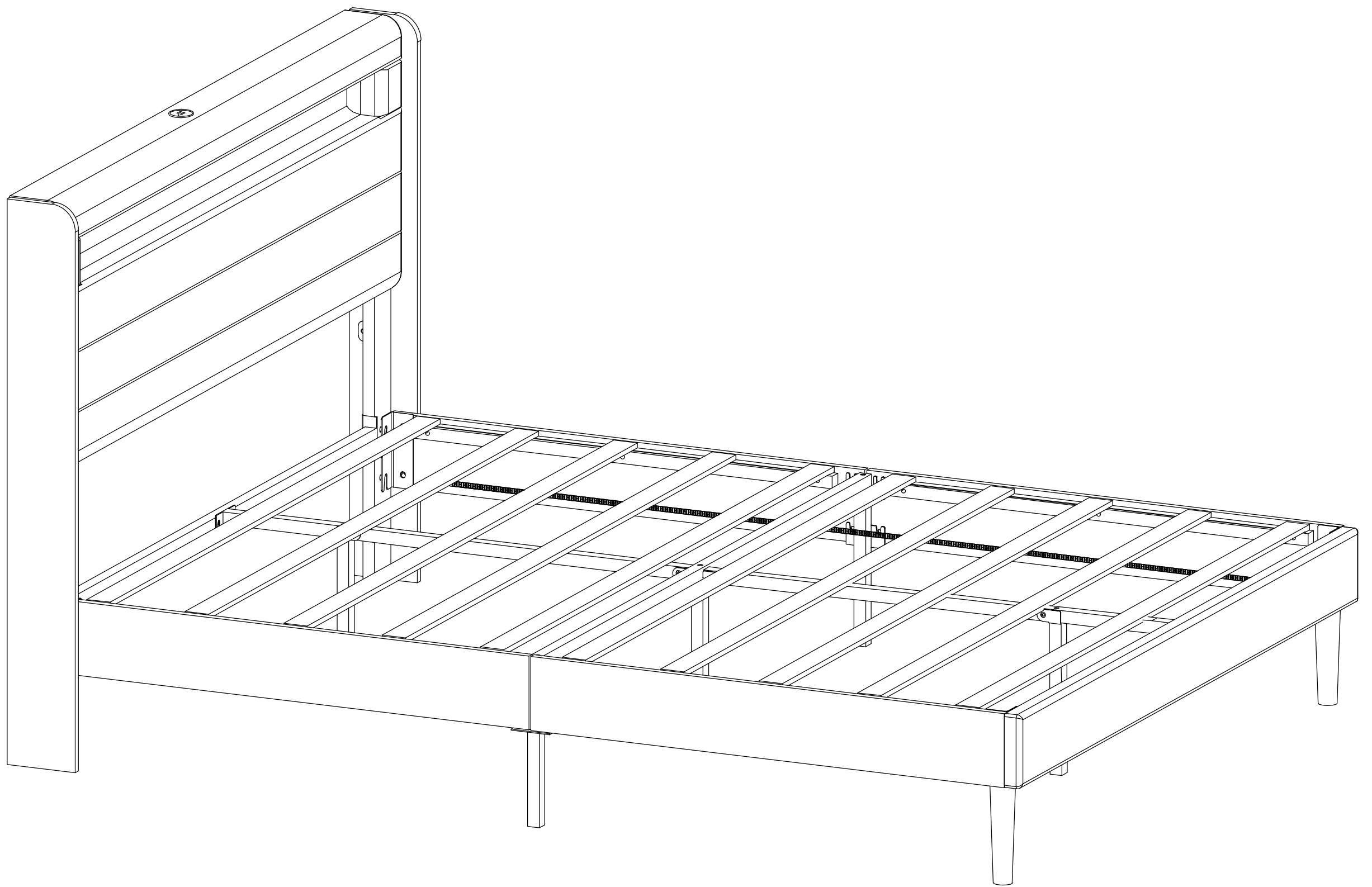
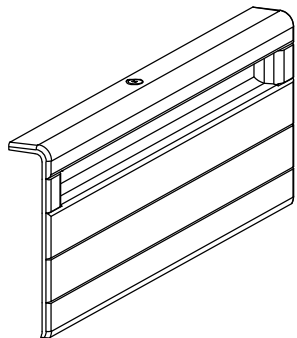
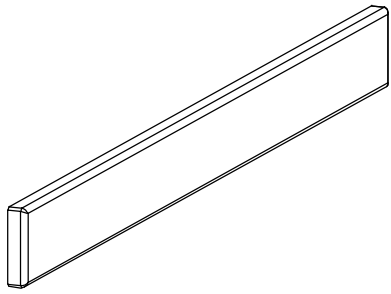
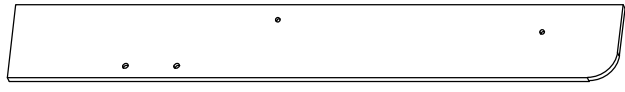

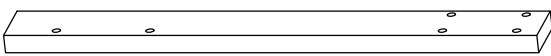
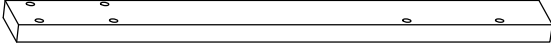
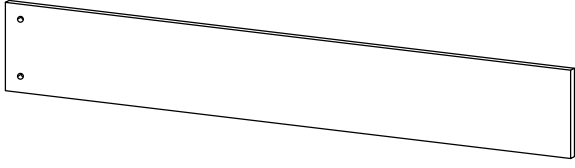
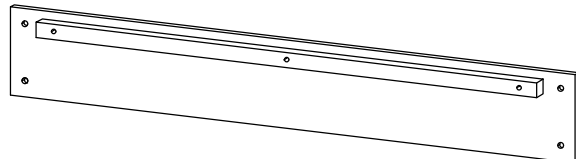
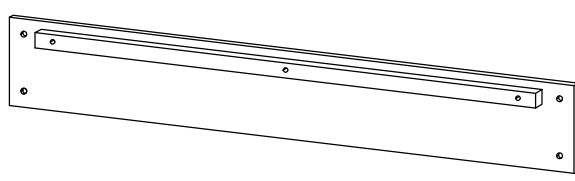
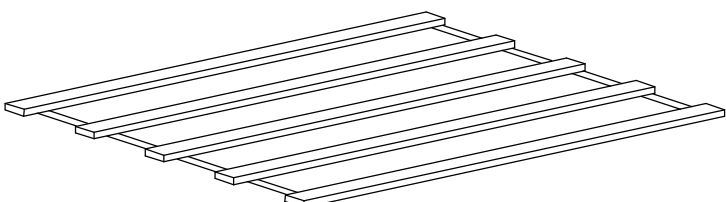
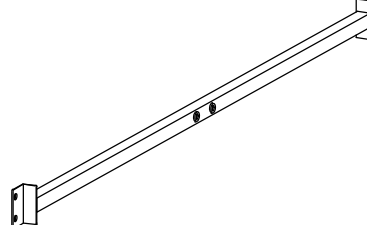
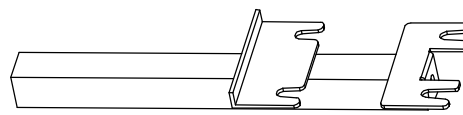
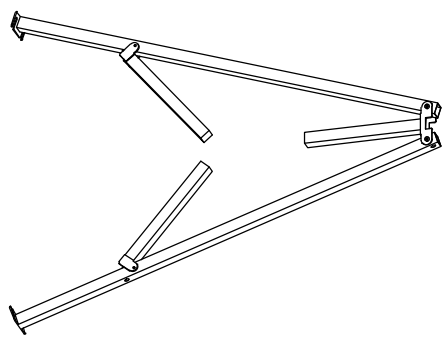
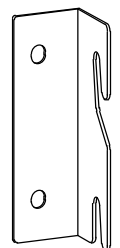
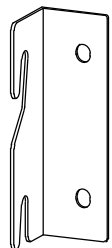
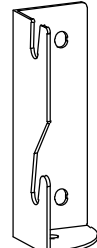
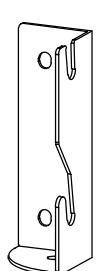
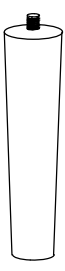
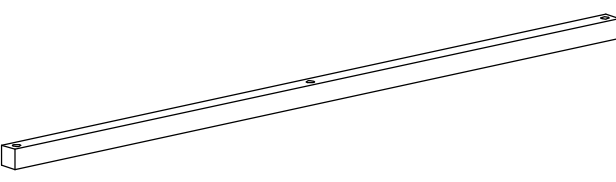
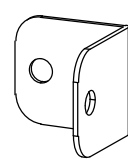


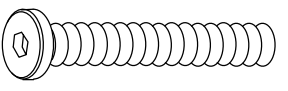
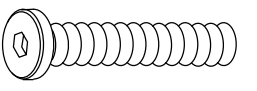
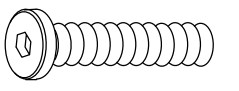
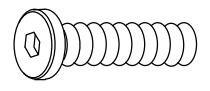
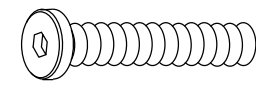
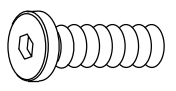
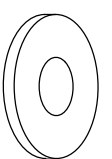

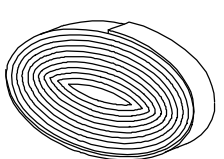
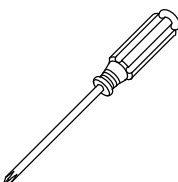
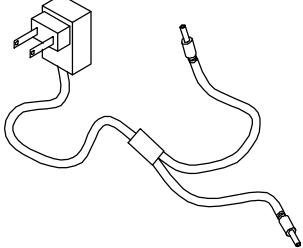
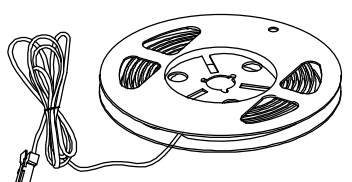
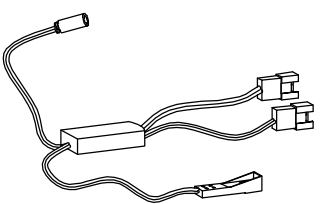
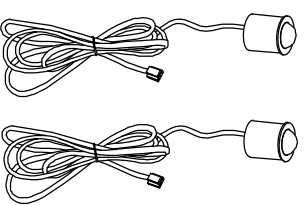
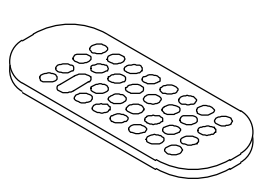
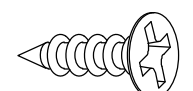

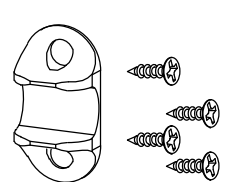
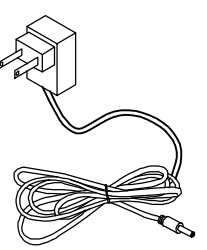
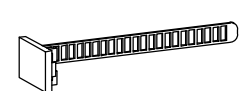
Installation Manual



Parts

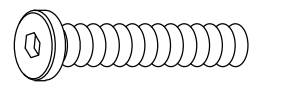
 ① × 1pc	 ② × 1pc	 ③ × 1pc	 ④ × 1pc
 ⑤ × 1pc	 ⑥ × 4pcs	 ⑦ × 1pc	 ⑧ × 1pcs
 ⑨ × 2pcs	 ⑩ × 2pcs	 ⑪ × 1pc	 ⑫ × 2pcs
 ⑬ × 1pc	 ⑭ × 1pc	 ⑮ × 1pc	 ⑯ × 1pc
 ⑰ × 1pc	 ⑱ × 2pcs	 ⑲ × 1pc	 ⑳ × 4pcs

Hardware

 M8×50mm ① × 1pc + 1pc	 M8×40mm ② × 14pcs + 1pc	 M8×25mm ③ × 10pcs + 1pc	 M8×15mm ④ × 18pcs + 1pc	 M6×40mm ⑤ × 2pcs + 1pc	 M6×15mm ⑥ × 8pcs + 1pc
 ⑦ × 4pcs + 1pc	 ⑧ × 4pcs + 1pc	 ⑨ × 1pc	 ⑩ × 1pc	 ⑪ × 1pc	 ⑫ × 1pc
 ⑬ × 1pc	 ⑭ × 2pcs	 ⑮ × 1pc	 M3.5×10mm ⑯ × 4pcs + 1pc	 ⑰ × 1pc	 ⑱ × 2pcs
 ⑲ × 1pc	 ⑳ × 4pcs + 1pc				

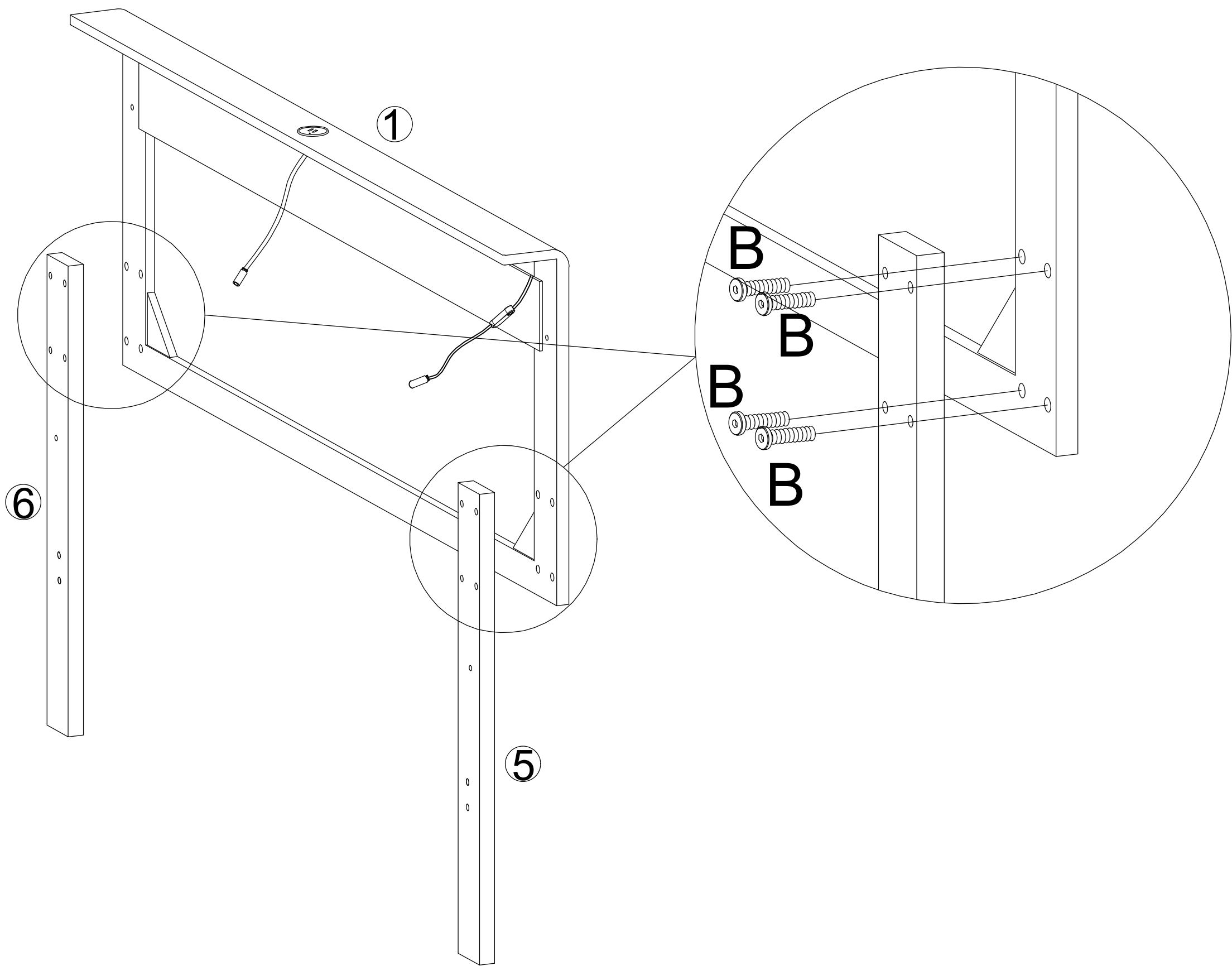
1

Note: For easy setup intention,
do not tighten screws during
the installation process

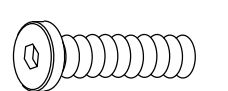
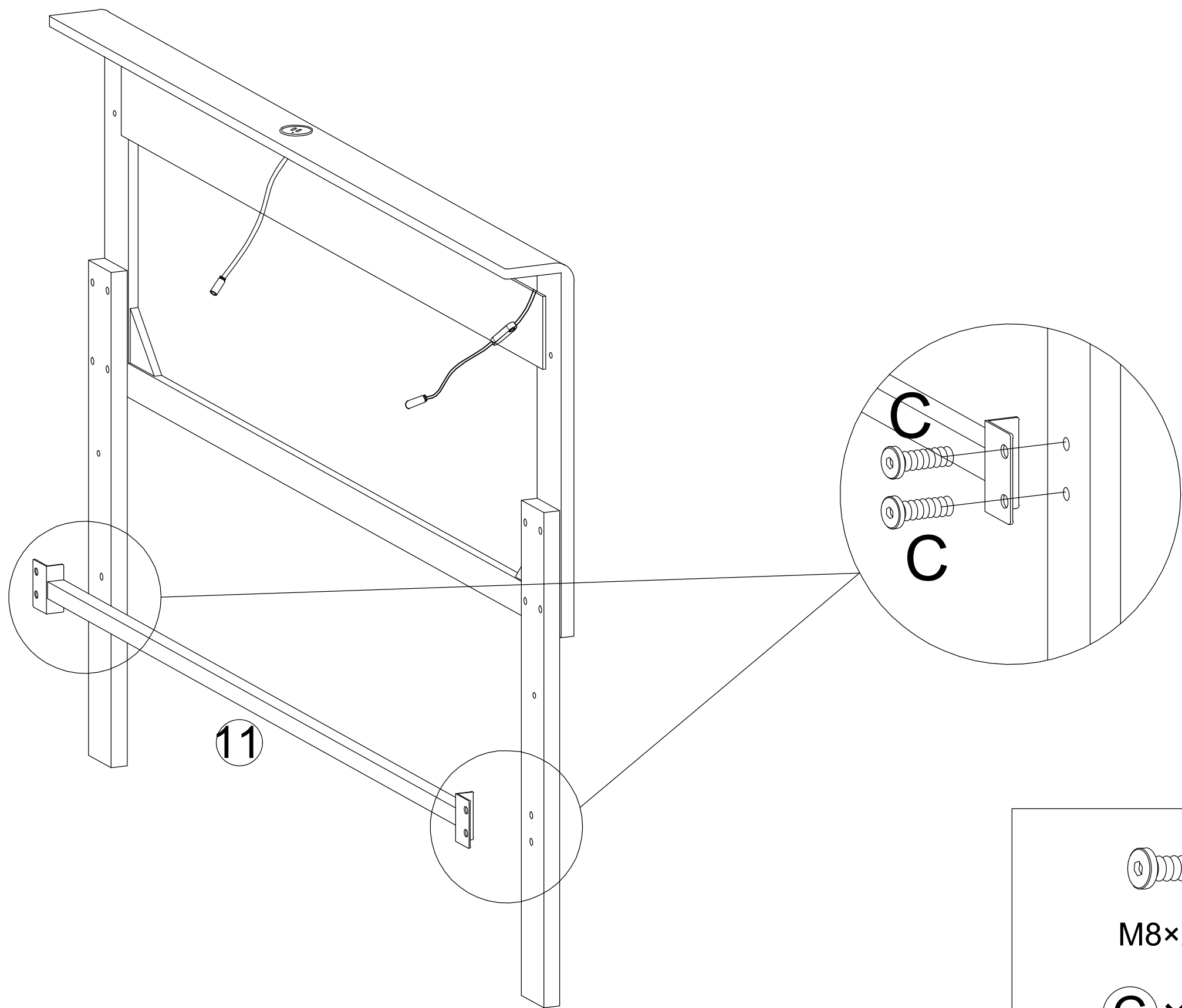


M8×40mm

B × 8pcs



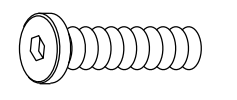
2



M8×25mm

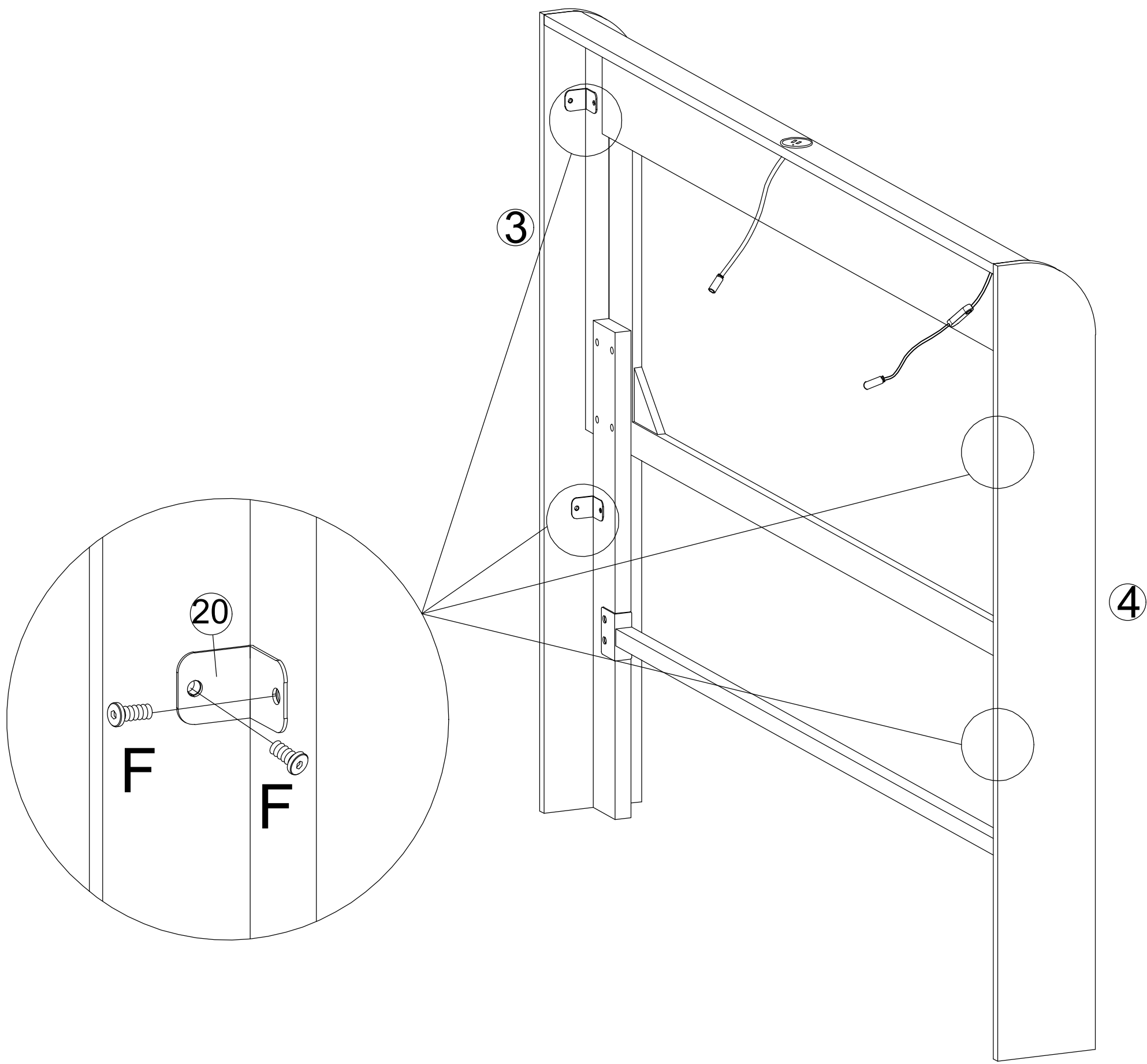
C × 4pcs

3

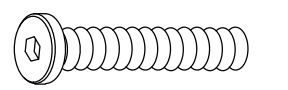


M6×15mm

F × 8pcs

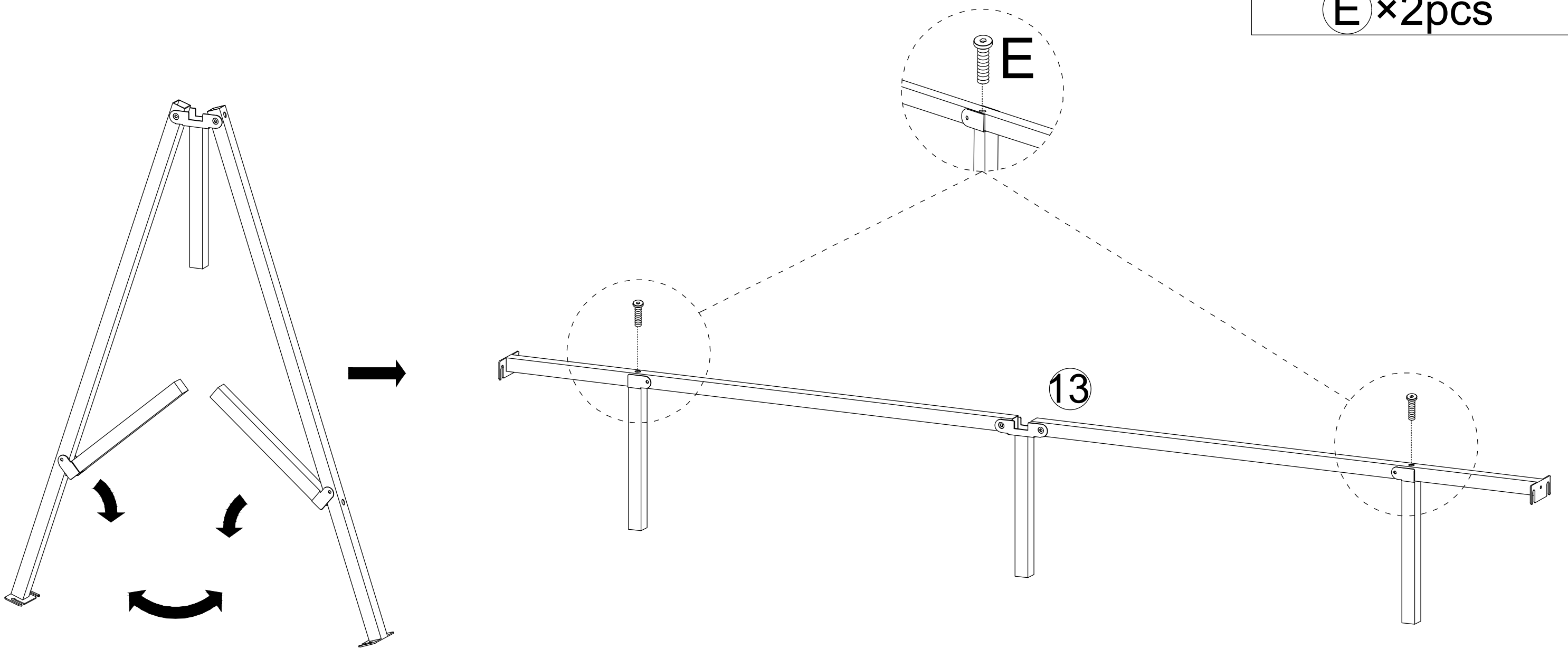


4

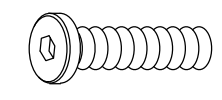


M6×40mm

E × 2pcs

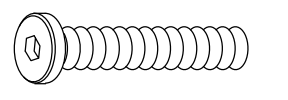


5



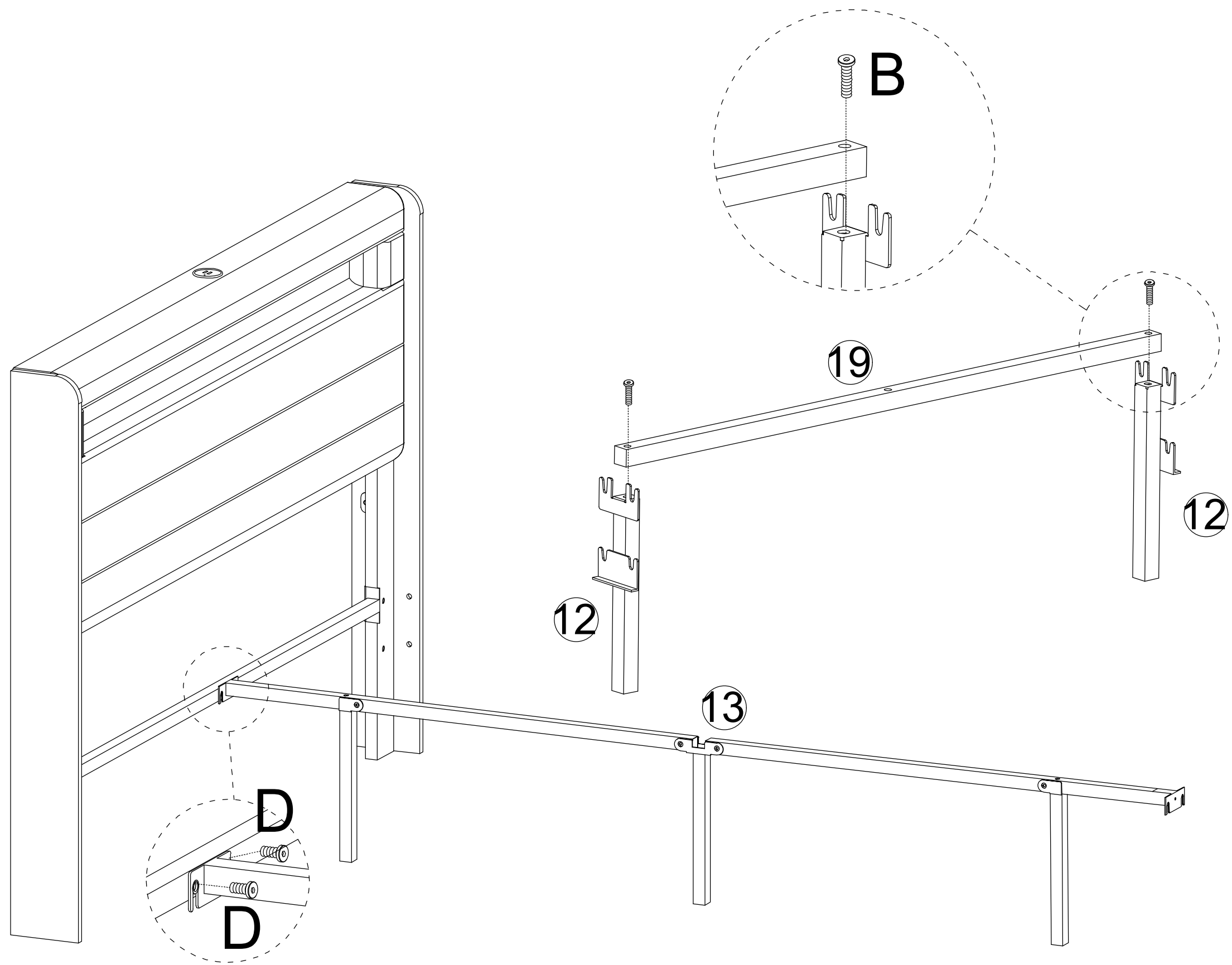
M8×15mm

D × 2pcs

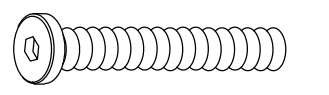


M8×40mm

B × 2pcs

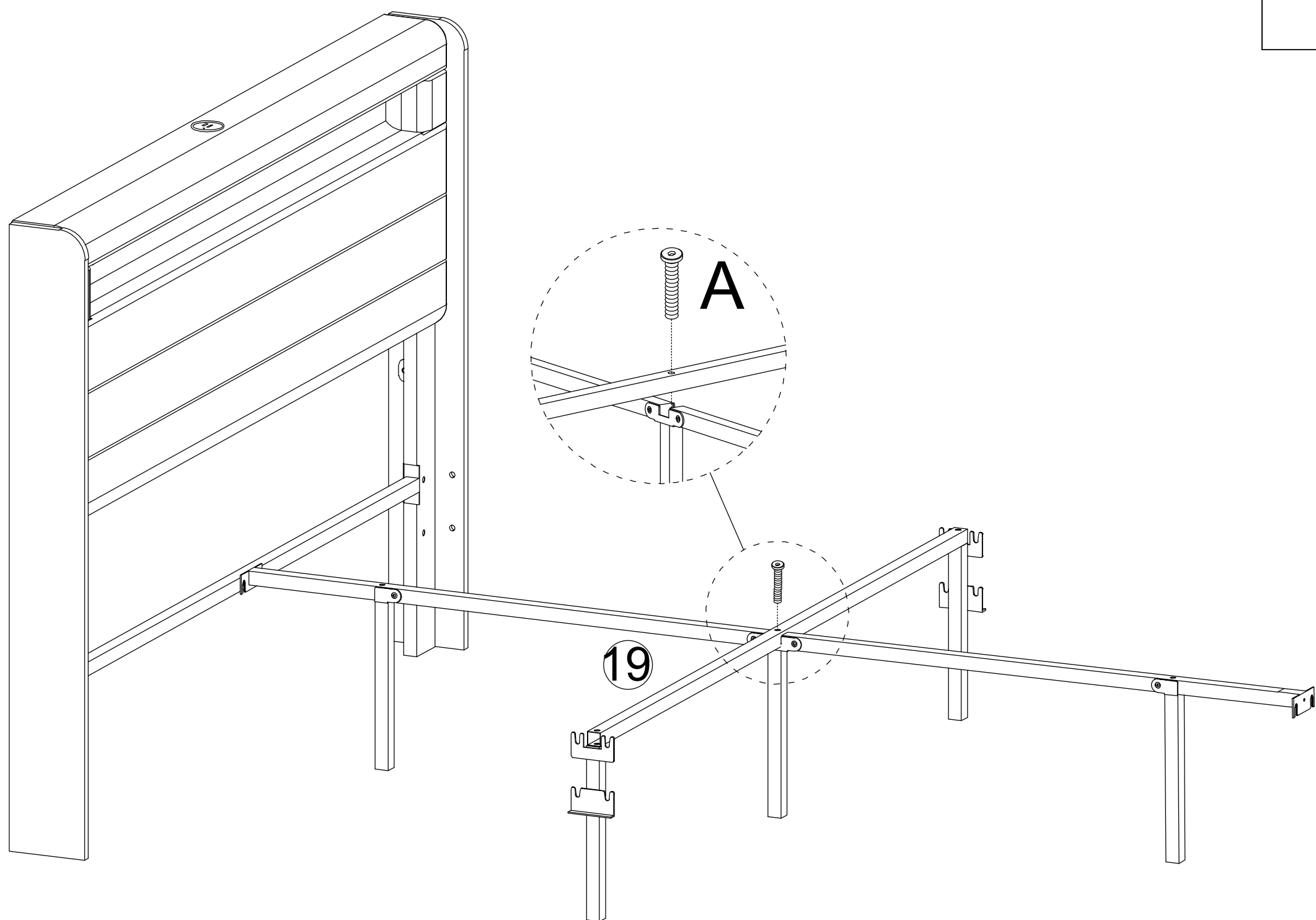


6

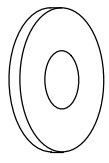


M8×50mm

A × 1pc



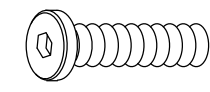
7



G ×4pcs

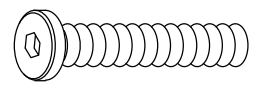


H ×4pcs



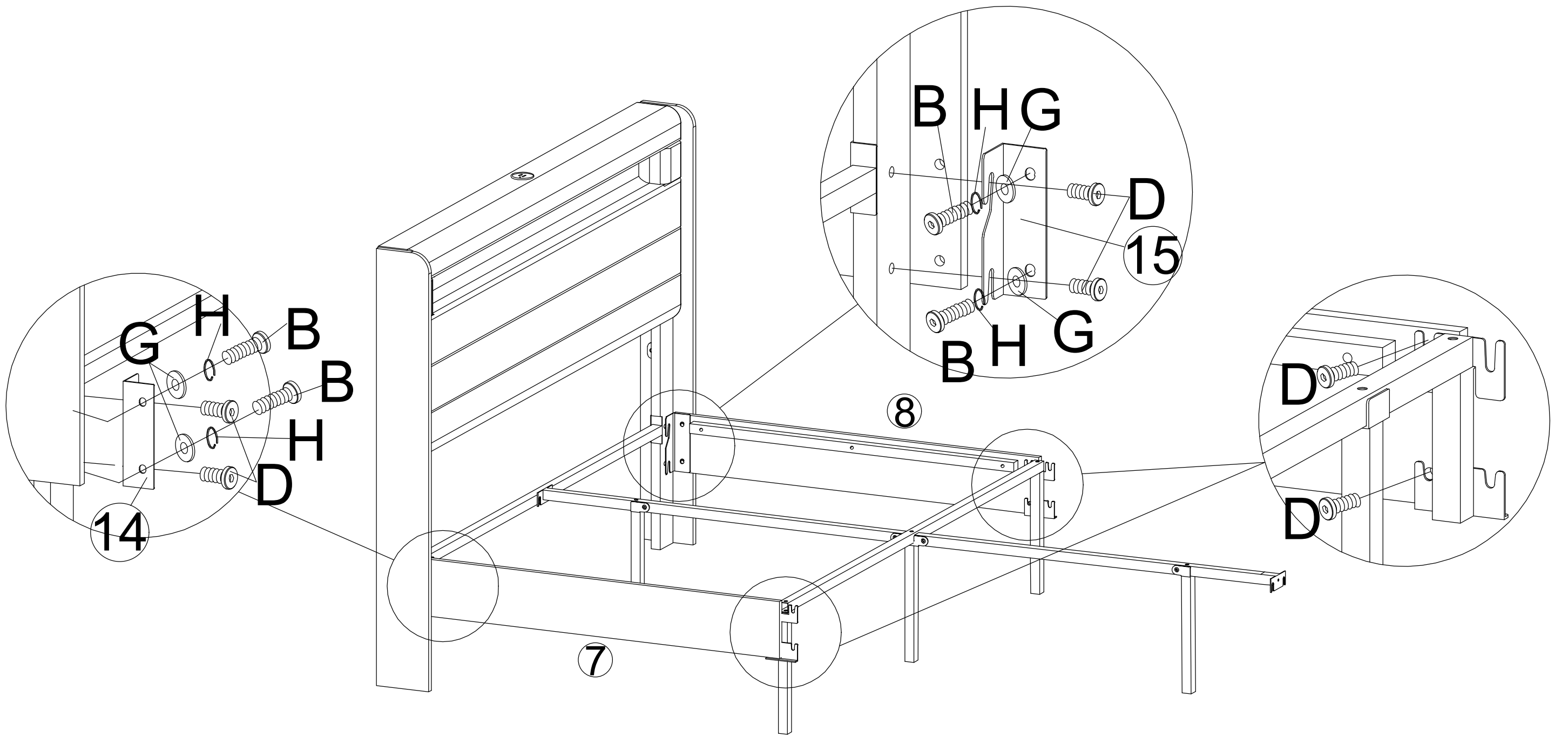
M8×15mm

D ×8pcs

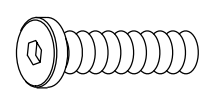


M8×40mm

B ×4pcs

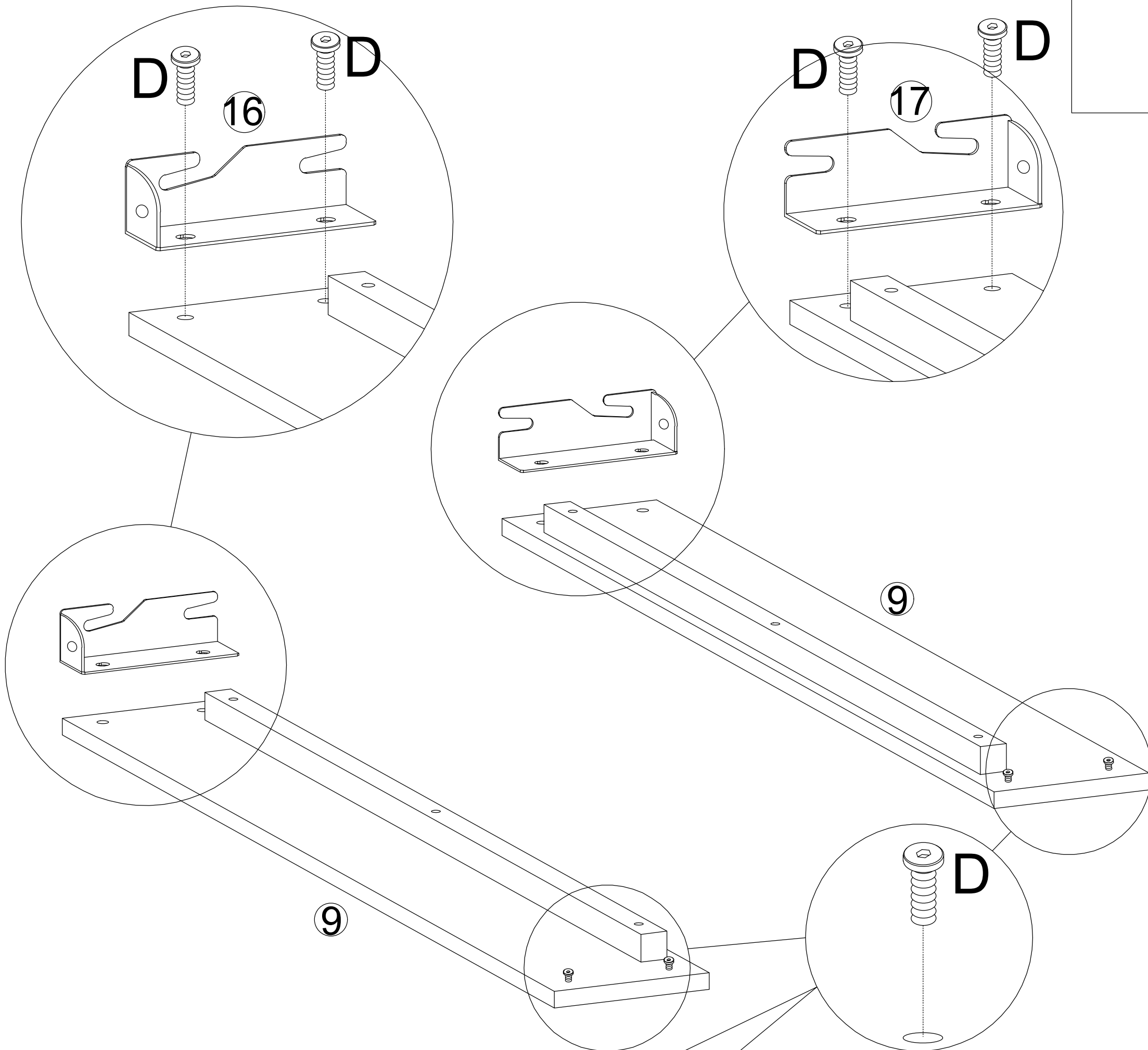


8



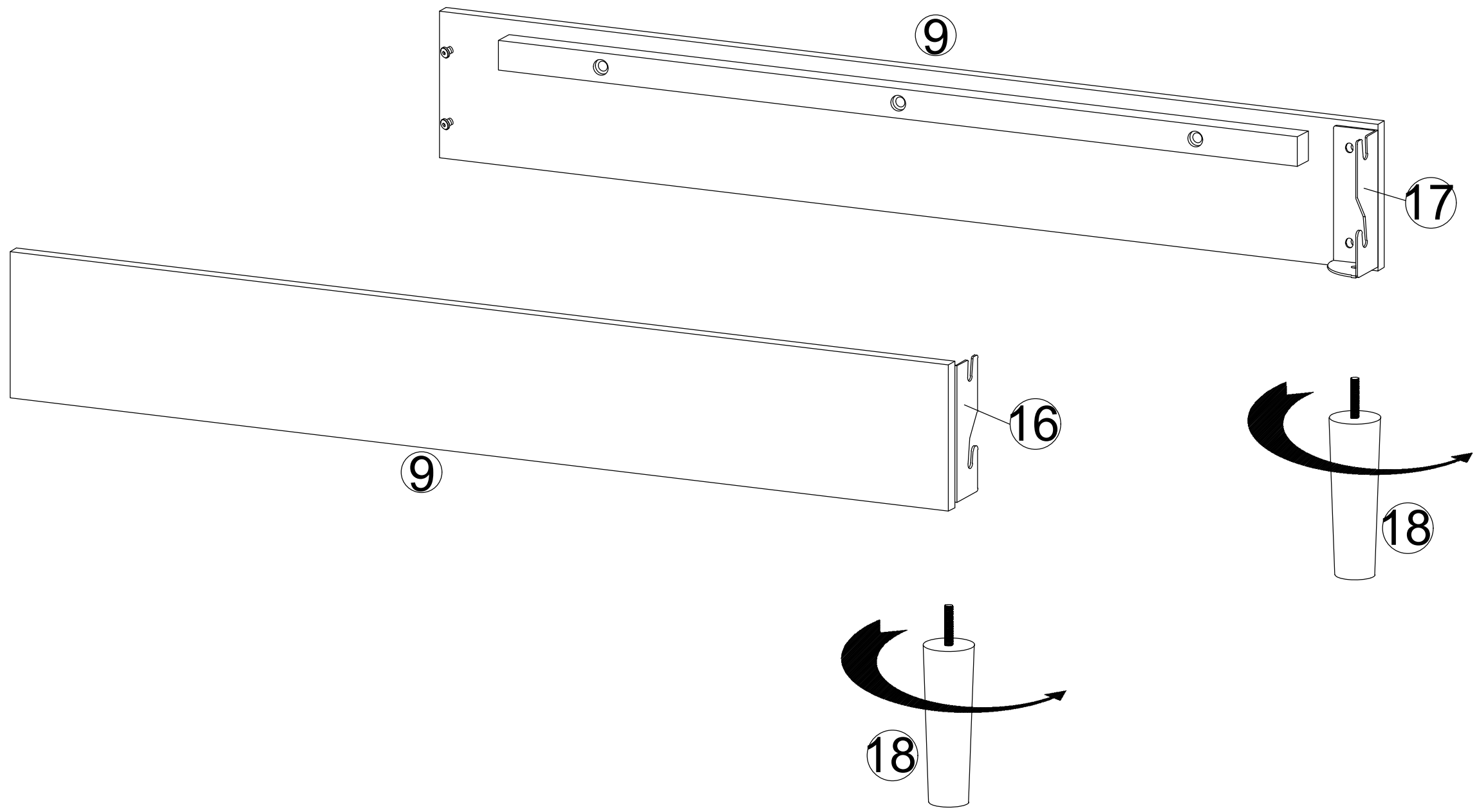
M8×15mm

D ×8pcs

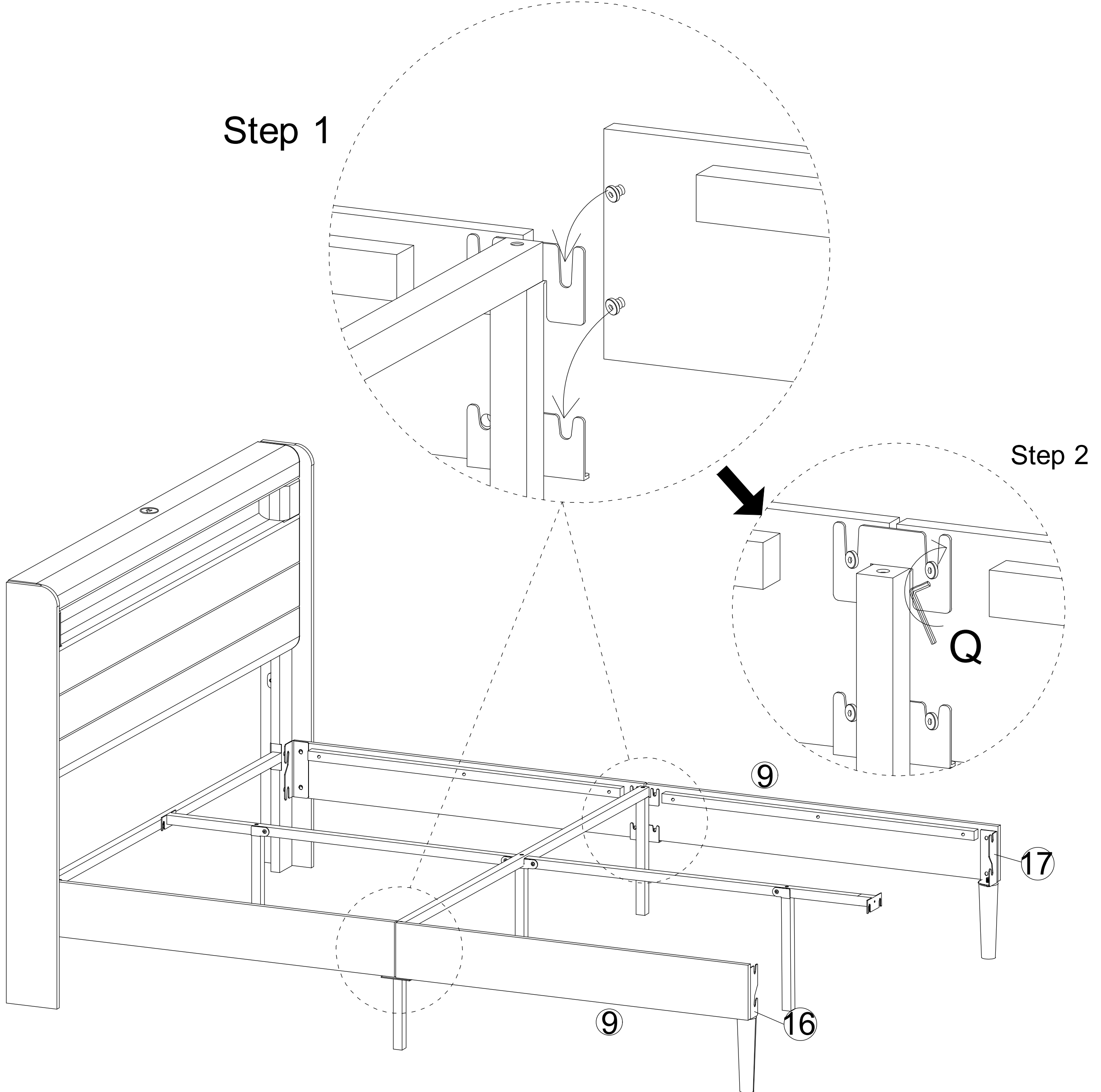


Screw pre-group to %70

9

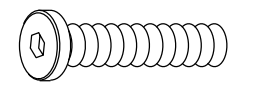


10



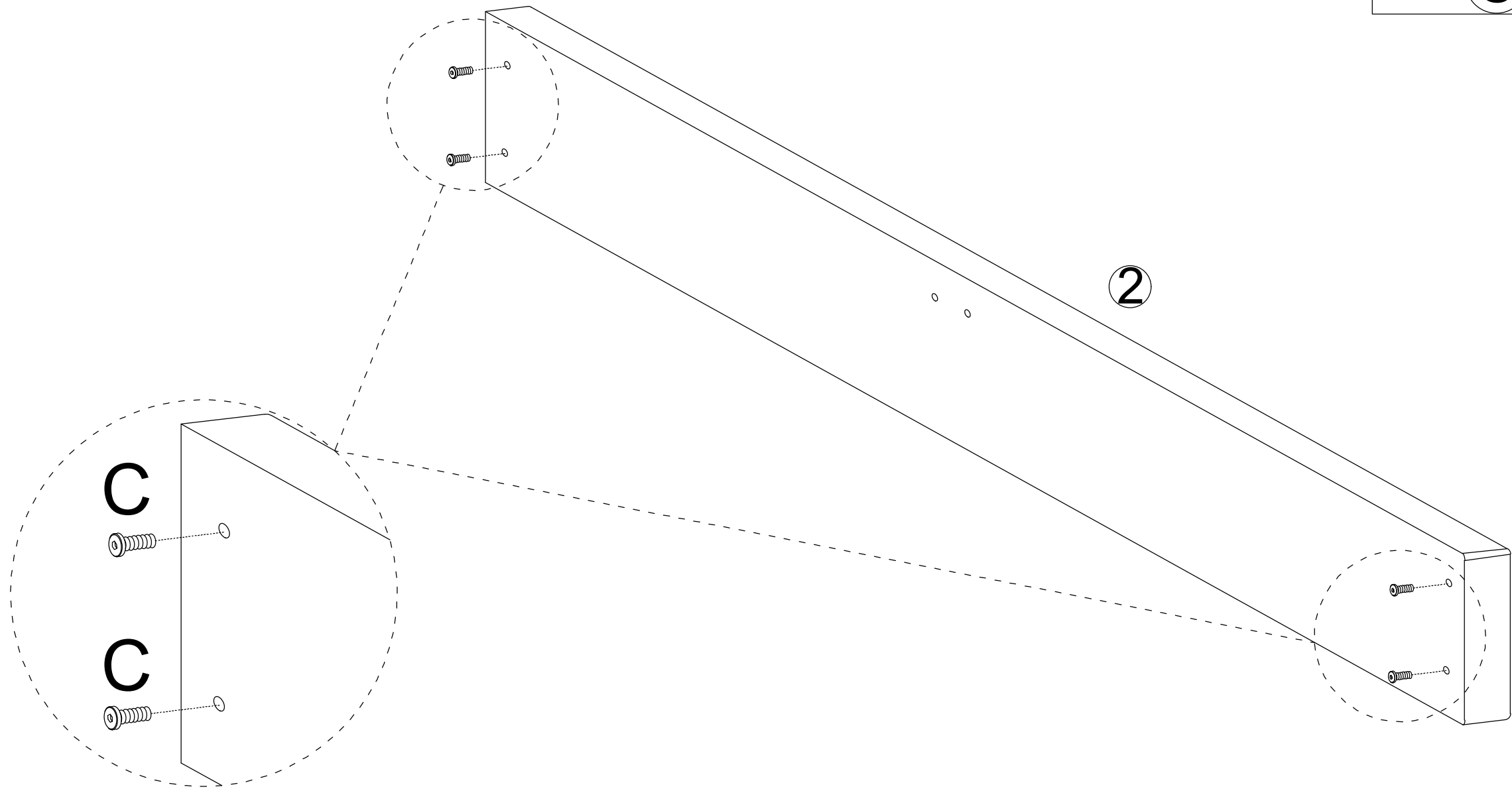
11

Please preassemble the screw gg %50 first.



M8×25mm

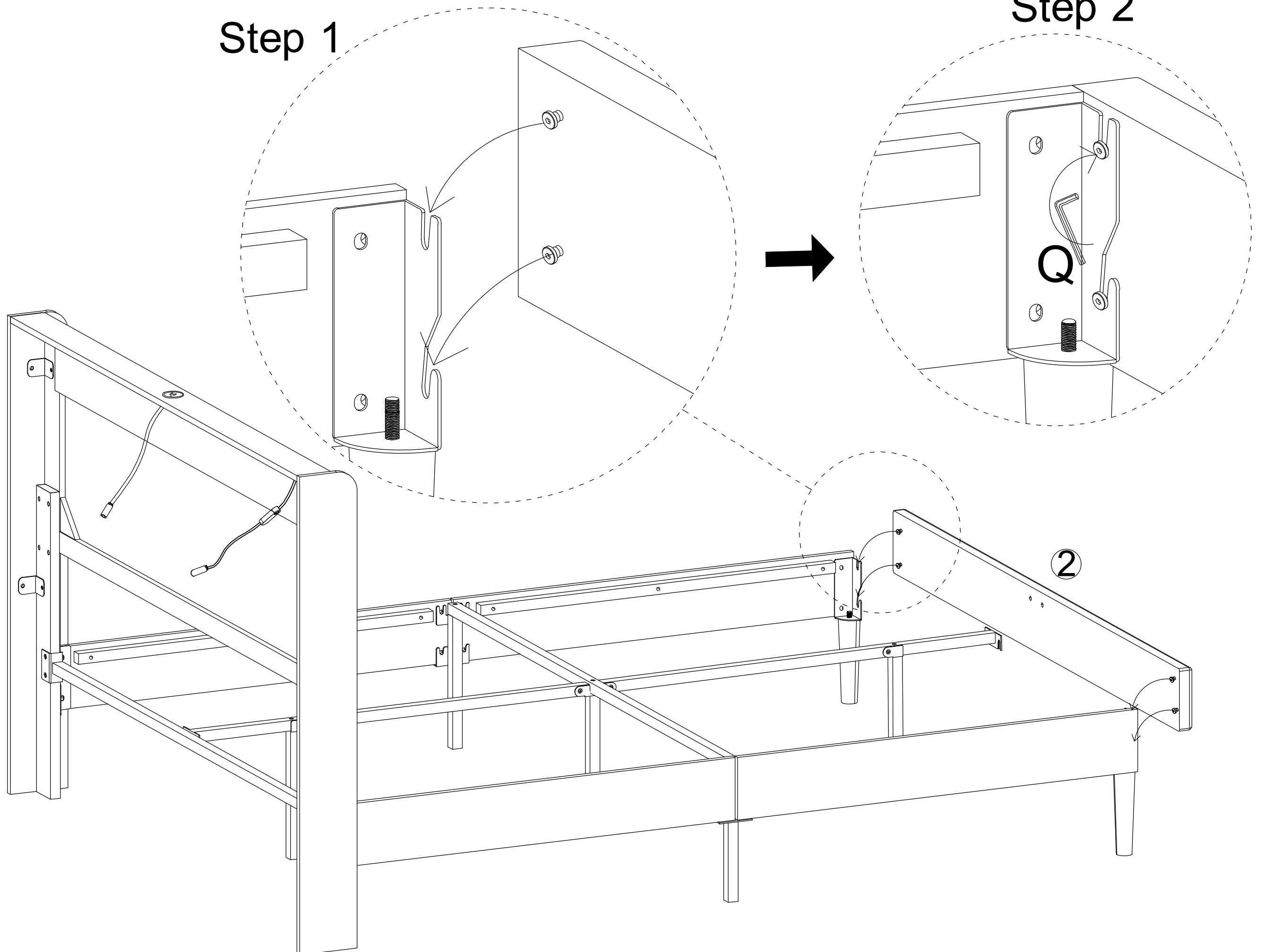
C×4pcs



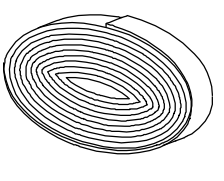
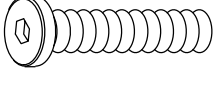
12

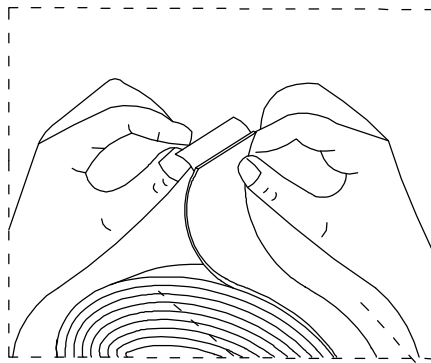
Step 1

Step 2



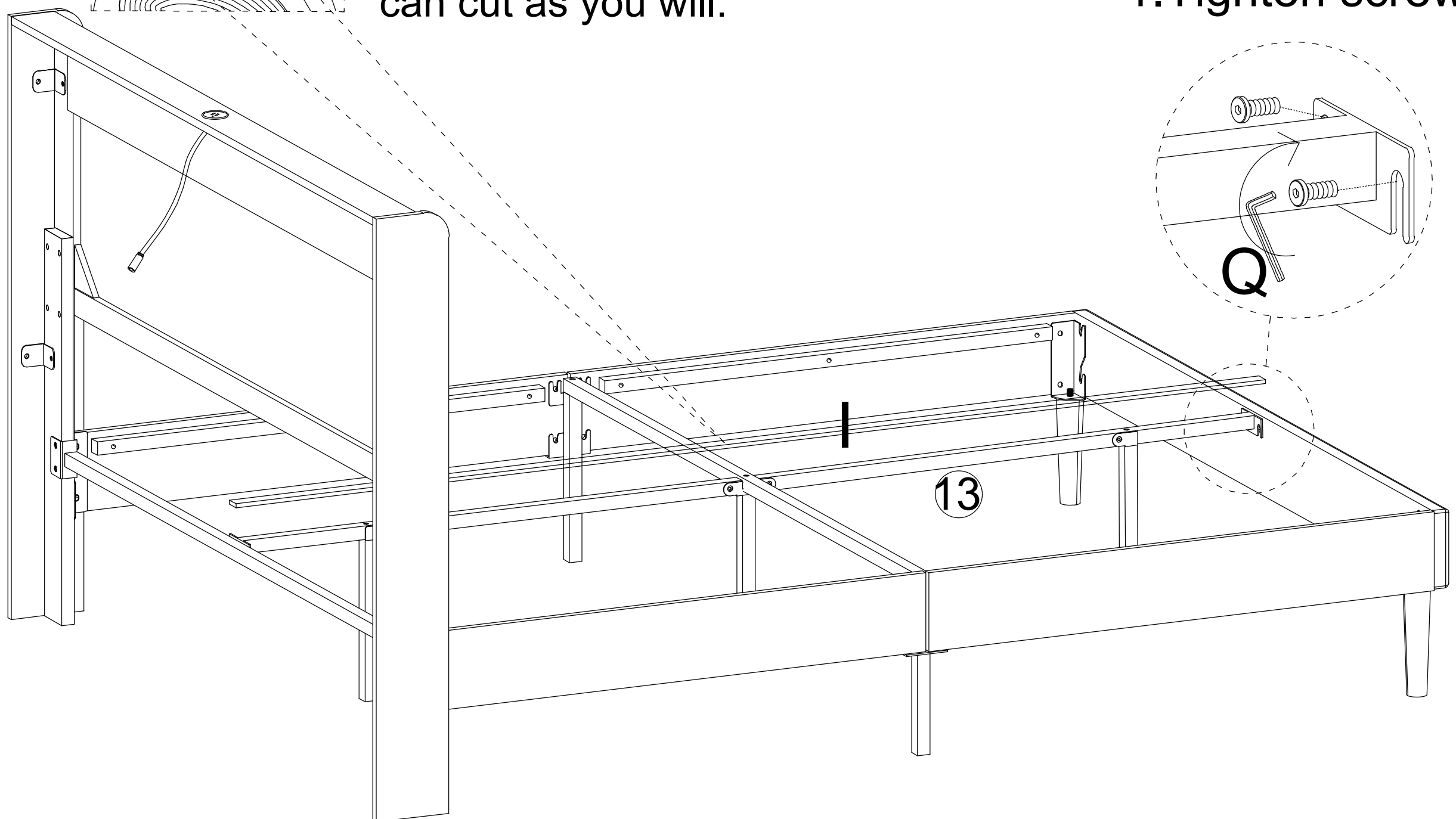
13

	
I × 1pc	M8×25mm
	C × 2pcs

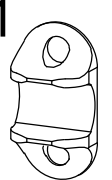
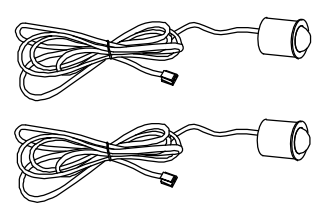
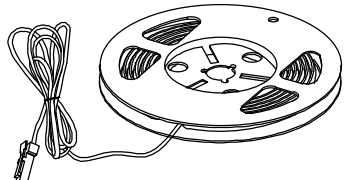


2. To prevent friction noise, unroll part I and fit it on part 13. the length of part I can cut as you will.

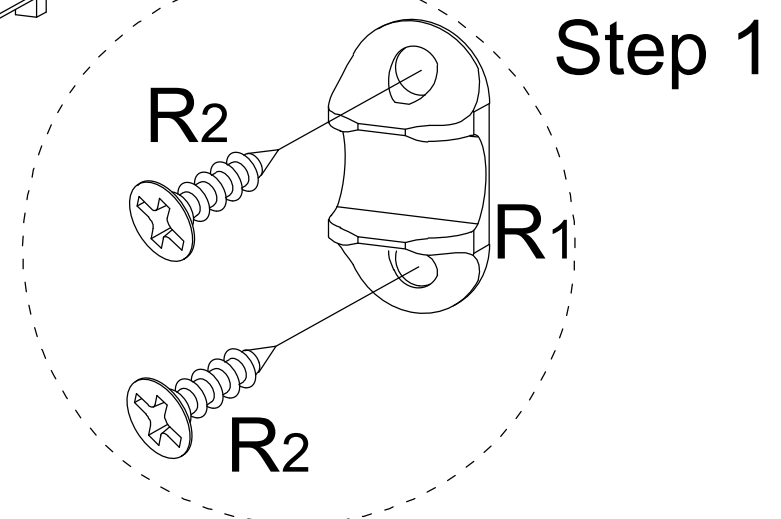
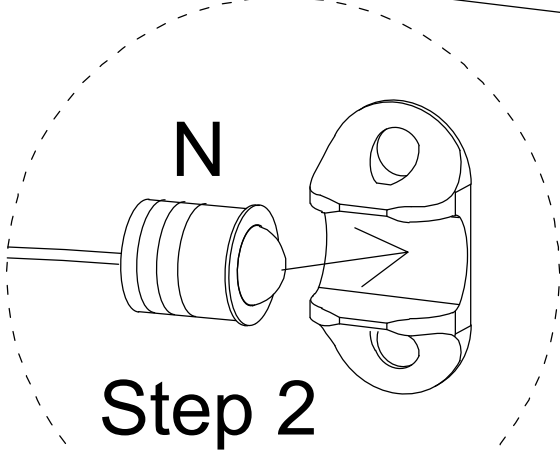
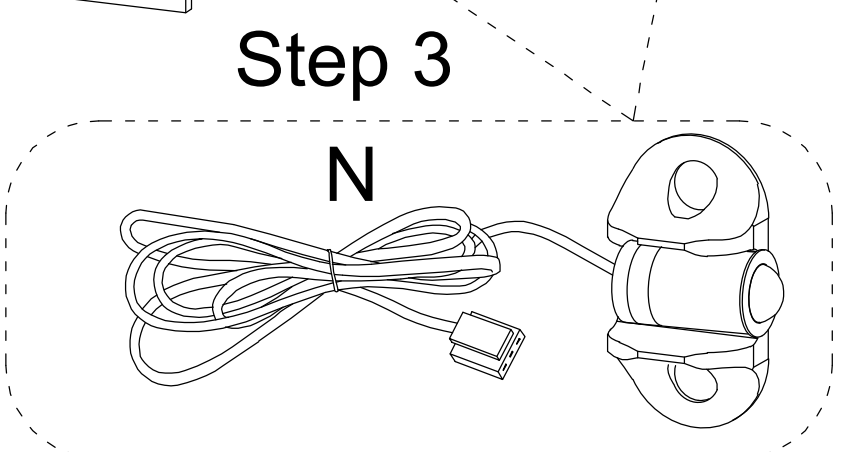
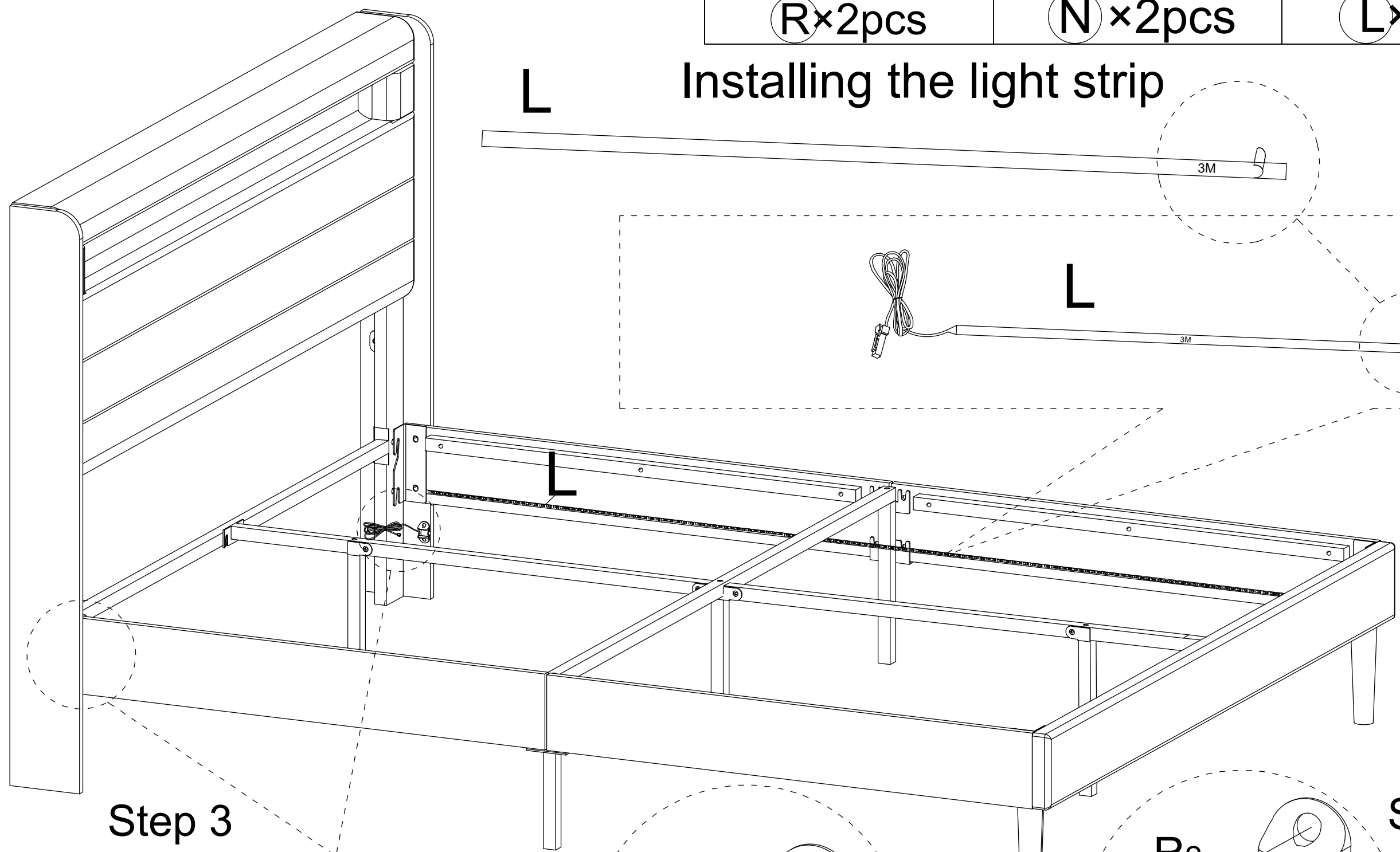
1. Tighten screw C



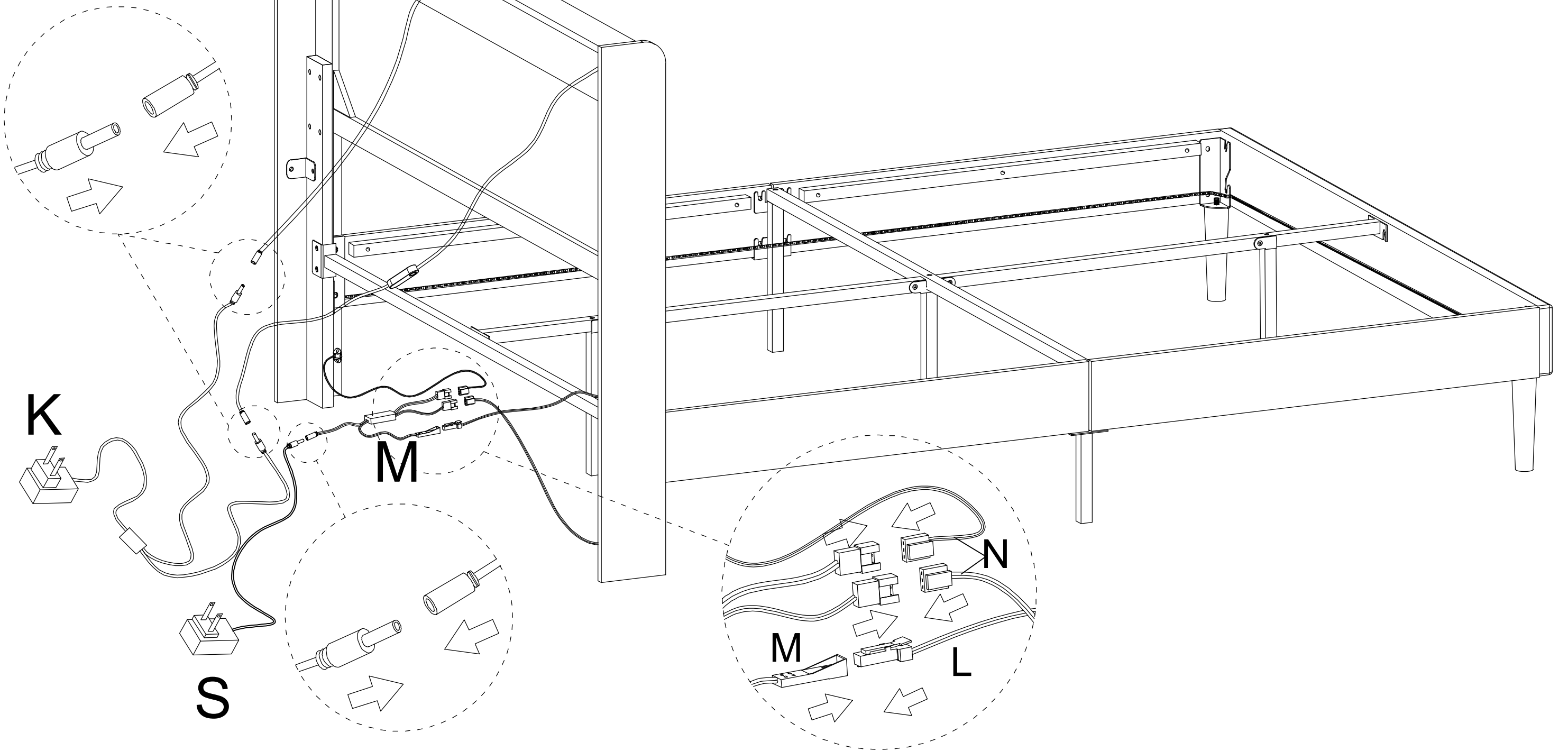
14

		
R × 2pcs	N × 2pcs	L × 1pc

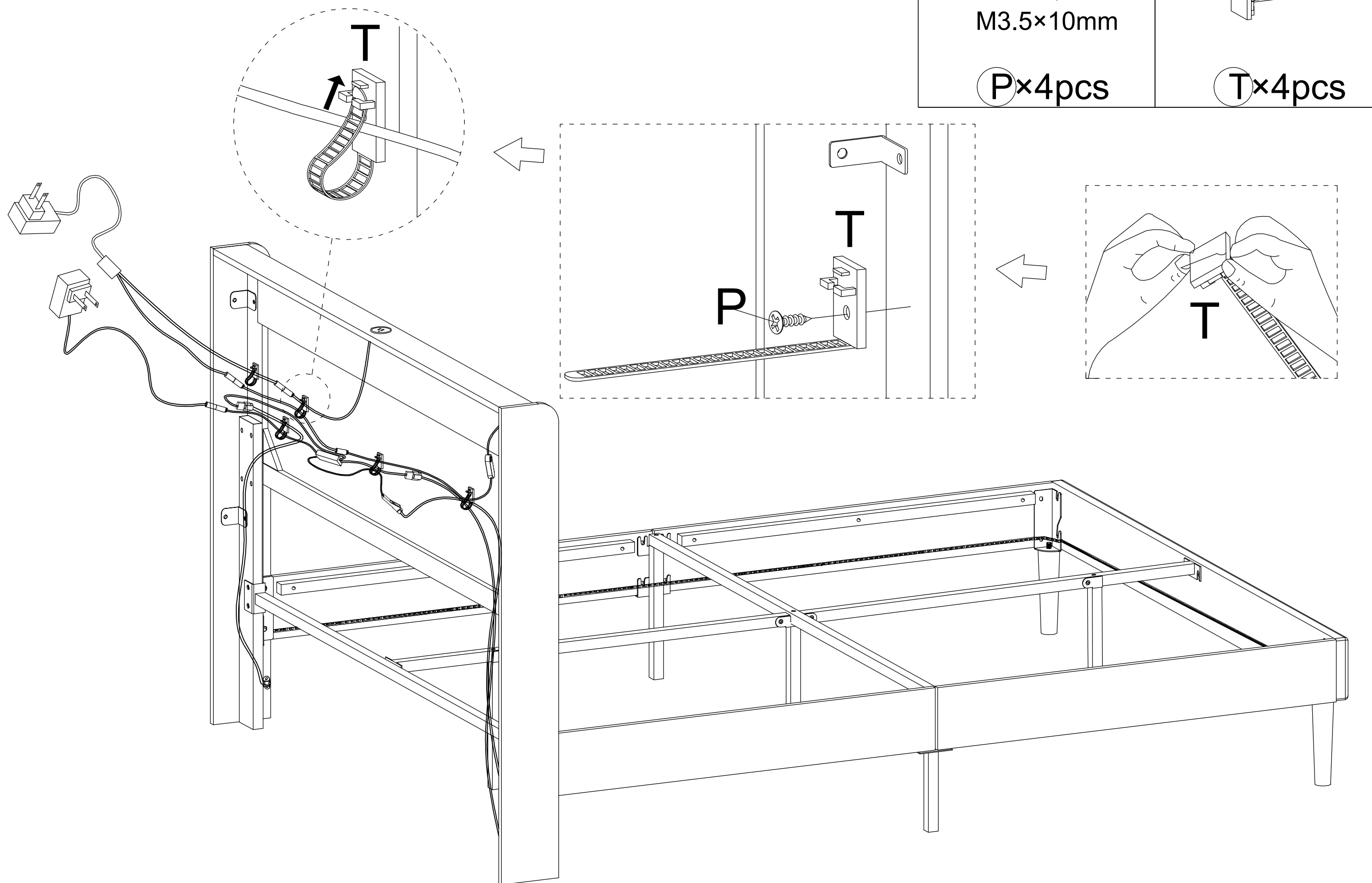
L Installing the light strip



15

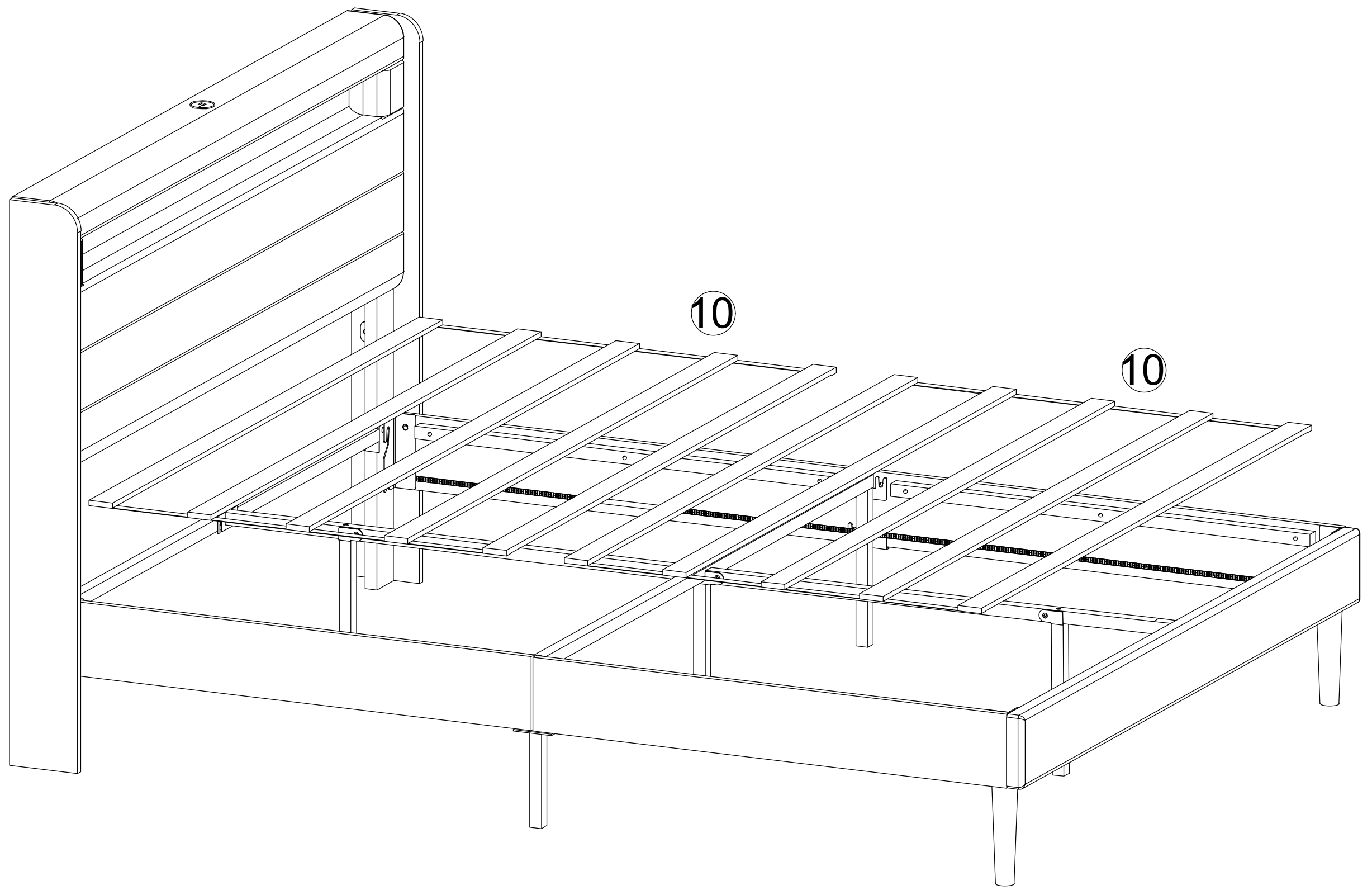


16



Note: After assembling part 16, 100% lock all screws

17



18

