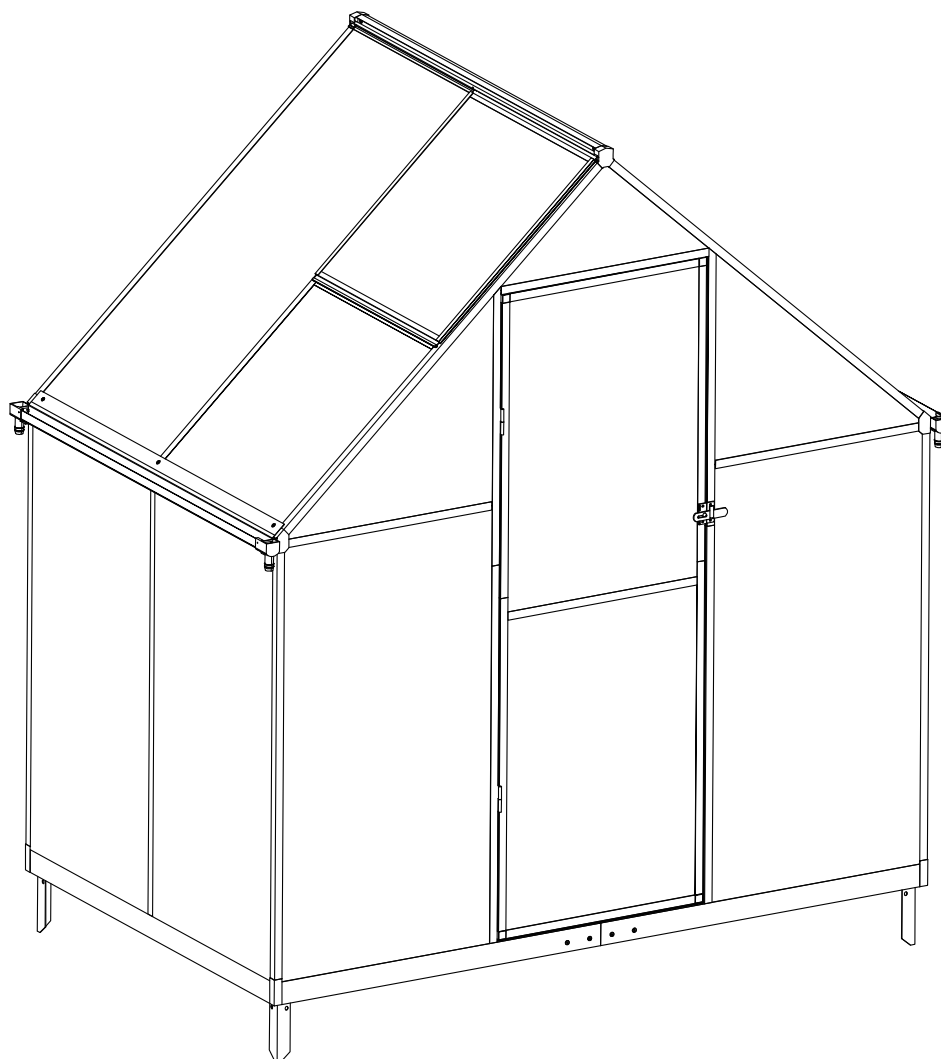


46 PC Outdoor Greenhouse

If you have any questions about the 46 PC Outdoor Greenhouse, please feel free to contact us.
Customer Service Email: hgeurope@outlook.com



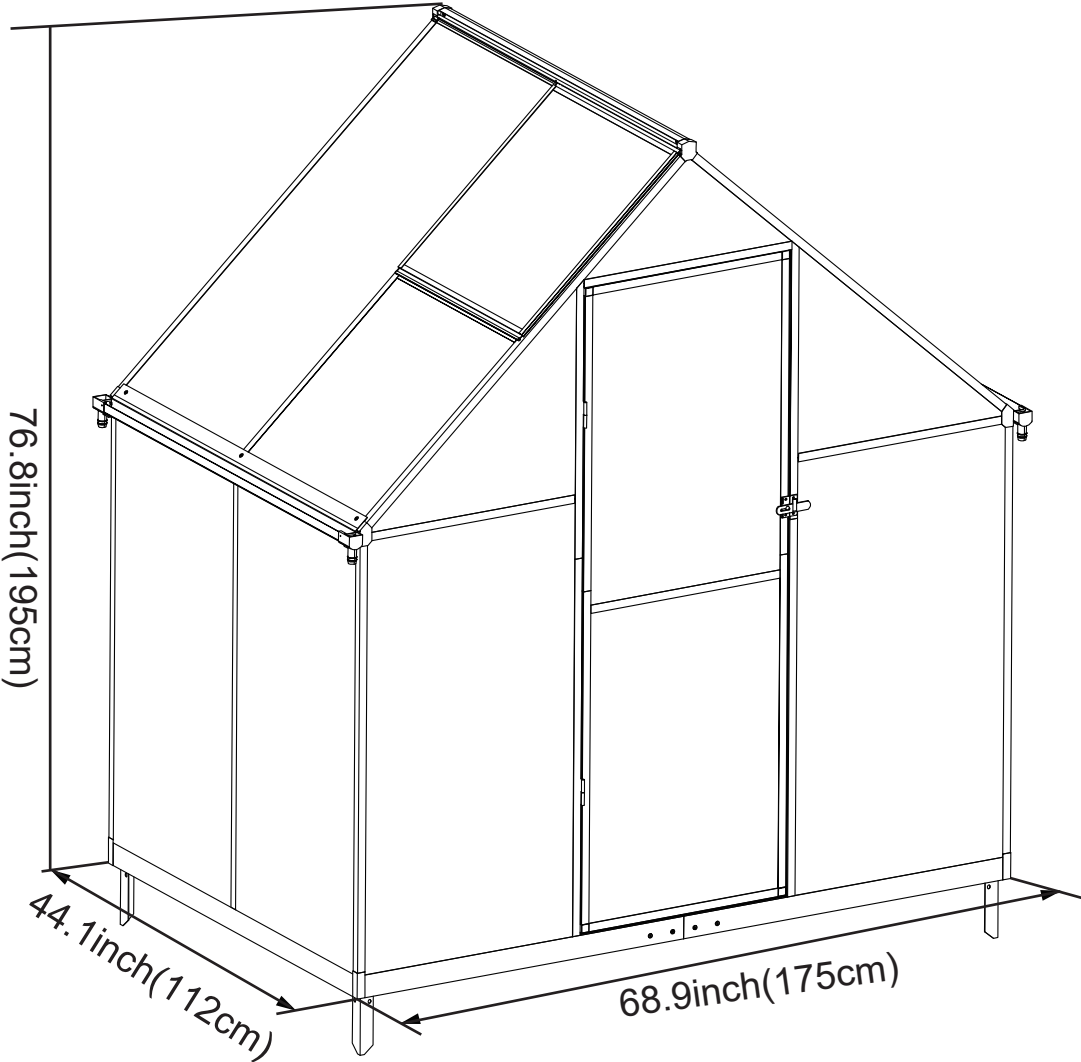
P25808-D1

IMPORTANT

PLEASE READ BEFORE YOU COMMENCE ASSEMBLY

Follow the guidelines in this user guide to ensure correct
assembly and care for this product.

SPECIFICATIONS



Catalog

Specifications 01

Notice 03

Warning 03

Installation Notes 04

Exploded Views 05

Part List 06

Extra 11

How to Assemble the Greenhouse 12

NOTICE

Please prepare below tools before installation.

The following tools are not included and needed for assembly:



Pistol Drill



Tape Measure



Ladder

Package included Tools:



Screw Driver



Gloves

Warning

We recommend two adults to complete the installation. Two adults installed together will make the installation process easier and safer.

The gloves must be carried to prevent hand cuts during installation. Take care when using power tools near water the use of a residual current device(RCD) is advised. Please use the electric driver carefully during screwing to prevent the screw from slipping and hurting your hand.

We recommend that beginners use a manual screwdriver for installation.

Be careful not to fall when installing the roof. Please steady the ladder and make sure the product placed on a flat ground.

Installation Notes

Please check the quantity of all parts before installation (Please refer to the Part List) and the appearance of the products. Please make sure the product is correct before installation. If there is any problem, please contact us directly.

Make sure all the holes match. Please install the panels in the order specified in the instructions. All lines and holes must be accurately matched to make the PC Outdoor Greenhouse more stable. Please ensure that all screws are tightened to prevent the product from falling apart.

There is a protective film on the surface to protect the product, please tear it off after installation to get the final presentation.

Please place the product on a flat ground to prevent leaning and collapse. If the ground is uneven, the door may can't be closed.

Attention:

Please read this instruction carefully before installation and follow it strictly during installation.

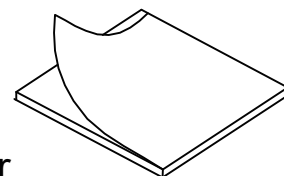
Ensure that there are no problems later due to installation errors.

UV-Label side to be installed outside ;

Film on both sides to be peeled off before installation.

Note: For the side with the label, only peel off the four edges of the film before installation.

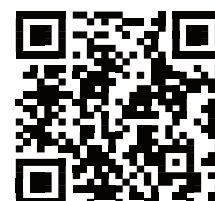
The center section with the label should be peeled off after installation is complete to prevent installation errors caused by the label being obscured.






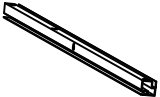

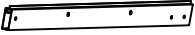
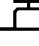
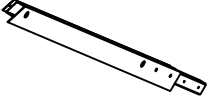





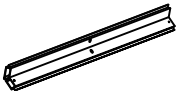









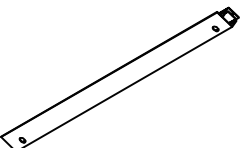

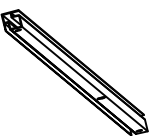



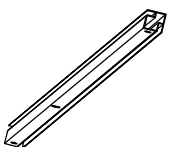


Contact US:

Service@alaulm.com

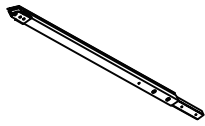
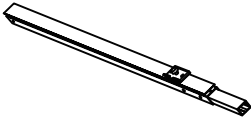
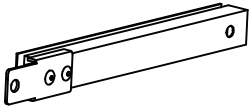
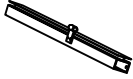
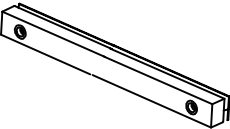

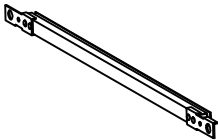

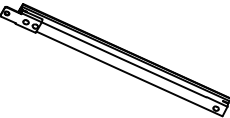

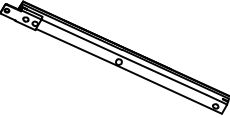




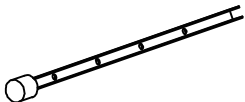
www.alaulm.com



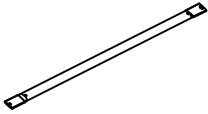
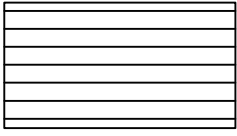

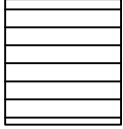

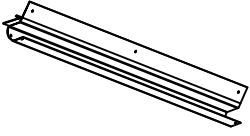
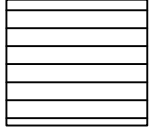
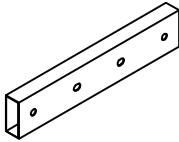
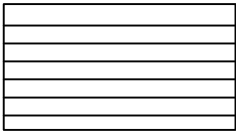

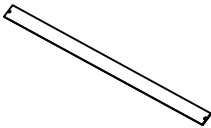
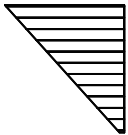
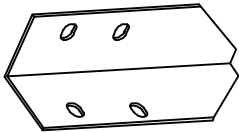
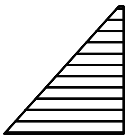
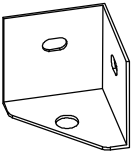
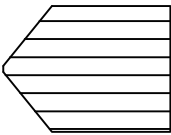
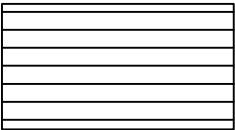
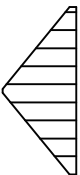
PART LIST

Label No.	Picture		Qty	Label No.	Picture		Qty
L001			2	L009			1
L002			2	L010			1
L003			2	L011			1
L004			2	L012			1
L005			1	L013			1
L006			4	L014			1
L007			2	L015			2
L008			1	L016			1

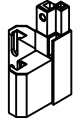

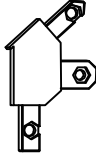
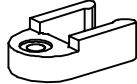
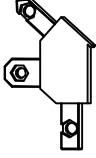
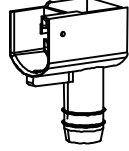
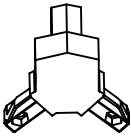
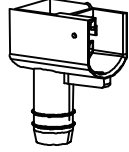
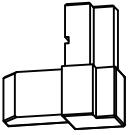
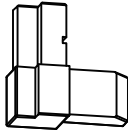
PART LIST

Label No.	Picture	Qty	Label No.	Picture	Qty
L017		1	L025		1
L018		2	L026		1
L019		2	L027		1
L020		1	L028		1
L021		1	L029		2
L022		1	L030		1
L023		2	L031		1
L024		1	L032		1

PART LIST


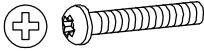
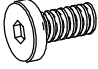
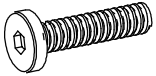
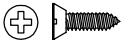
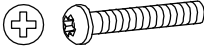


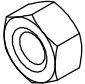

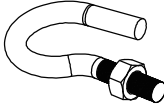




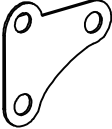
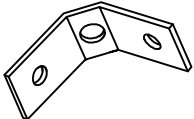

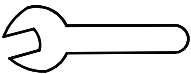


Label No.	Picture		Qty	Label No.	Picture	Qty
L033			2	L051	 1140*549MM	3
L034			2	L052	 556*549MM	1
L035			2	L053	 770*527MM	2
L036			2	L054	 1077*574MM	5
L037			1	L055		2
L048			4	L056		2
L049			4	L057		1
L050	 1072*549MM		4	L058		1

PART LIST

Label No.	Picture	Qty	Label No.	Picture	Qty
L038		4	L044		1
L039		2	L045		1
L040		2	L046		2
L041		2	L047		2
L042		2			
L043		2			


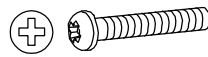
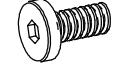
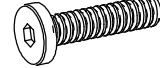
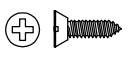
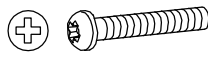
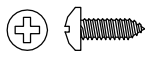




PART LIST

Screw Set

<p>A</p>  <p>M4*20</p>	<p>B</p>  <p>M4*32</p>	<p>C</p>  <p>M6*12</p>	<p>D</p>  <p>M6*25</p>
<p>1PC</p>	<p>1PC</p>	<p>58PCS</p>	<p>8PCS</p>
<p>E</p>  <p>M3*10</p>	<p>F</p>  <p>M6*25</p>	<p>G</p>  <p>M4*12</p>	<p>H</p>  <p>M4</p>
<p>4PCS</p>	<p>2PCS</p>	<p>28PCS</p>	<p>1PC</p>
<p>I</p>  <p>M6</p>	<p>J</p>  <p>M6*50</p>	<p>K</p> 	<p>L</p>  <p>M3*5</p>
<p>10PCS</p>	<p>4PCS</p>	<p>1PC</p>	<p>8PCS</p>
<p>M</p>  <p>M4*8</p>	<p>N</p> 	<p>O</p> 	<p>P</p> 
<p>4PCS</p>	<p>1PC</p>	<p>1PC</p>	<p>2PCS</p>
<p>Q</p> 			
<p>1PC</p>			
<p>R</p> 	<p>S</p> 	<p>T</p> 	<p>U</p> 
<p>1PC</p>	<p>1PC</p>	<p>1PC</p>	<p>1PC</p>

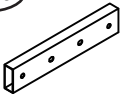
PART LIST


Extra (Screw Set)

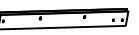
Extra (Screw Set)			
<p>A</p>  <p>M4*20</p>	<p>B</p>  <p>M4*32</p>	<p>C</p>  <p>M6*12</p>	<p>D</p>  <p>M6*25</p>
1PC	1PC	2PCS	1PC
<p>E</p>  <p>M3*10</p>	<p>F</p>  <p>M6*25</p>	<p>G</p>  <p>M4*12</p>	<p>H</p>  <p>M4</p>
1PC	1PC	2PCS	1PC
<p>I</p>  <p>M6</p>	<p>L</p>  <p>M3*5</p>	<p>M</p>  <p>M4*8</p>	
1PC	1PC	1PC	


Installation steps


STEP 1

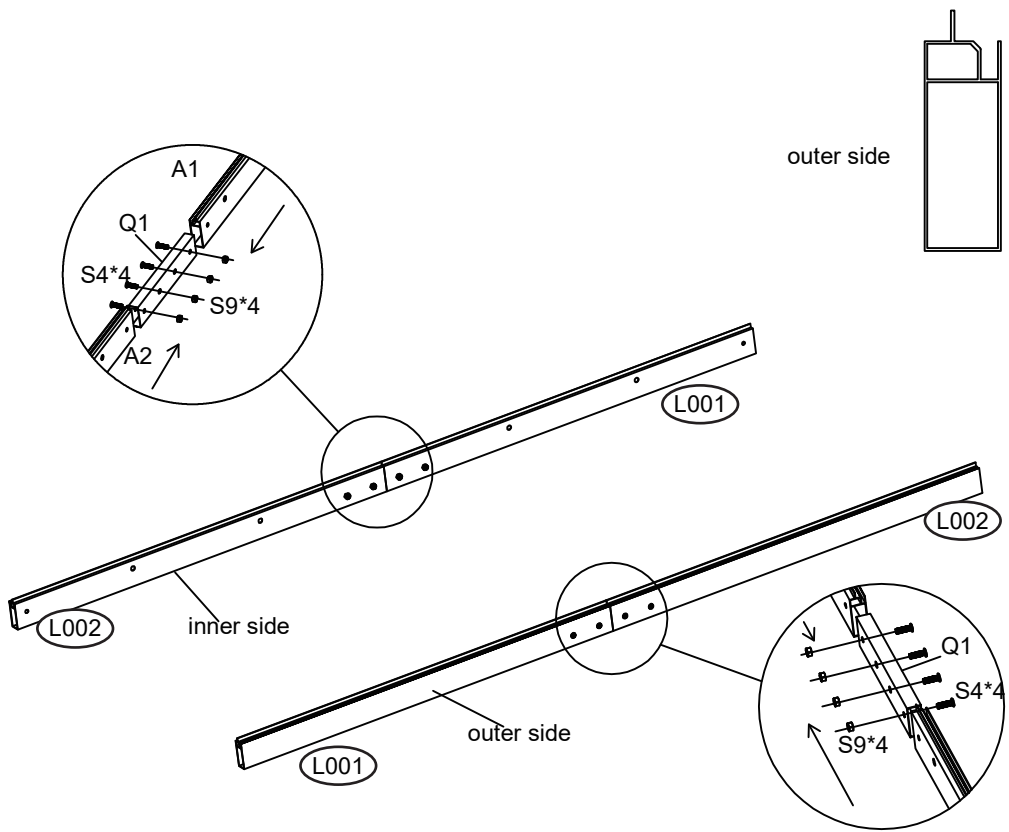
L036

2PCS

L001

2PCS

L002

2PCS

D

M6*25
8PCS

I

M6
8PCS




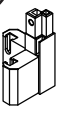
outer side inner side

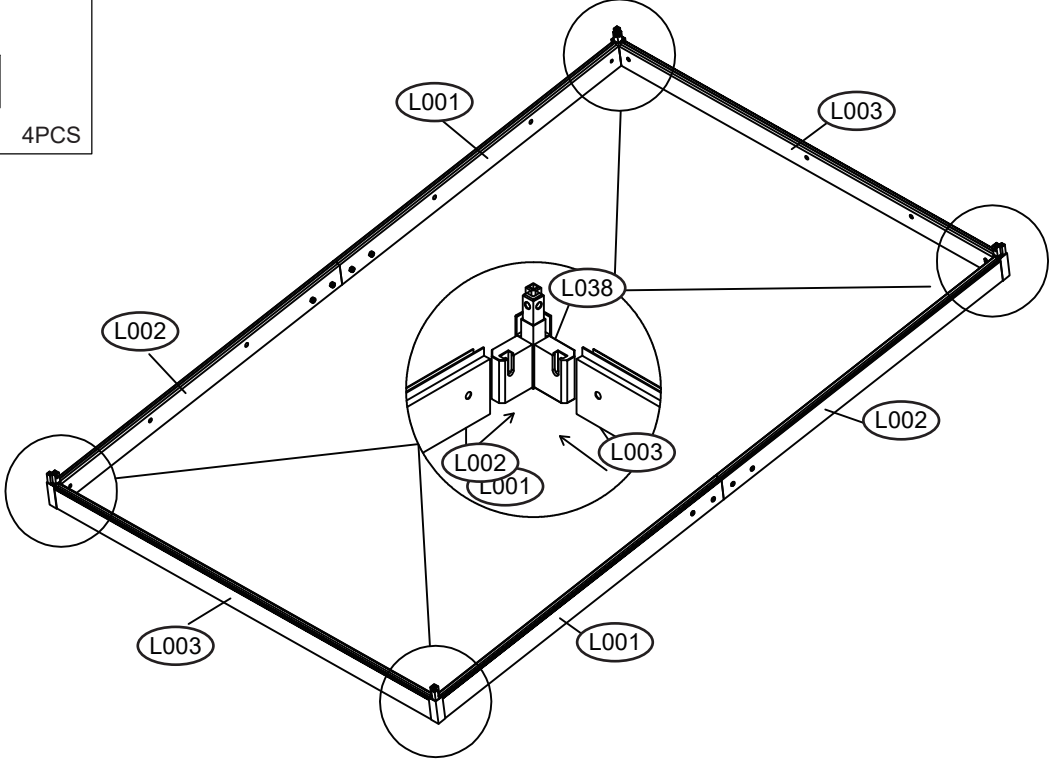
inner side

outer side

STEP 2

L003

2PCS


L038

4PCS



Installation steps

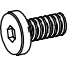
STEP 3

L048



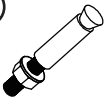
4PCS

C




M6*12 16PCS

J

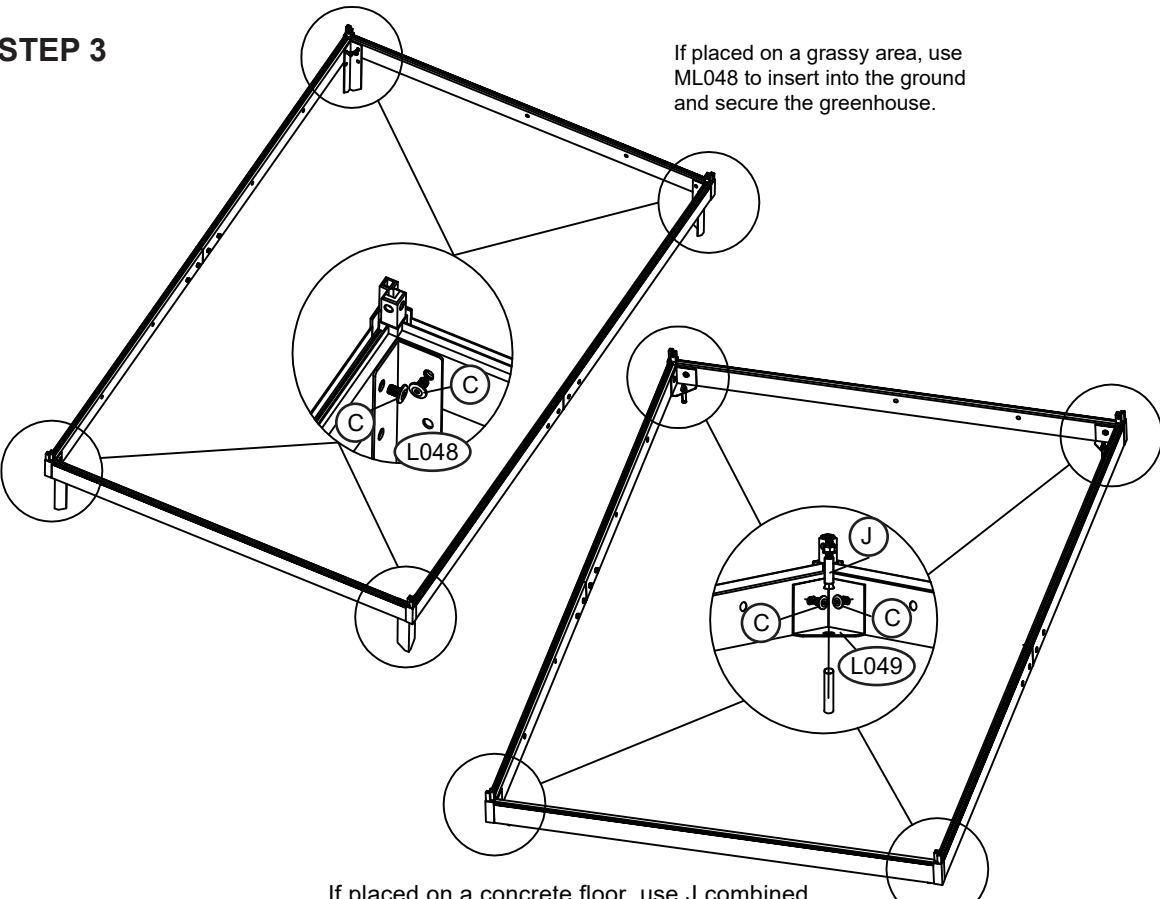


4PCS

L049



4PCS




If placed on a grassy area, use ML048 to insert into the ground and secure the greenhouse.

If placed on a concrete floor, use J combined with L049 to secure the greenhouse.


STEP 04

L006

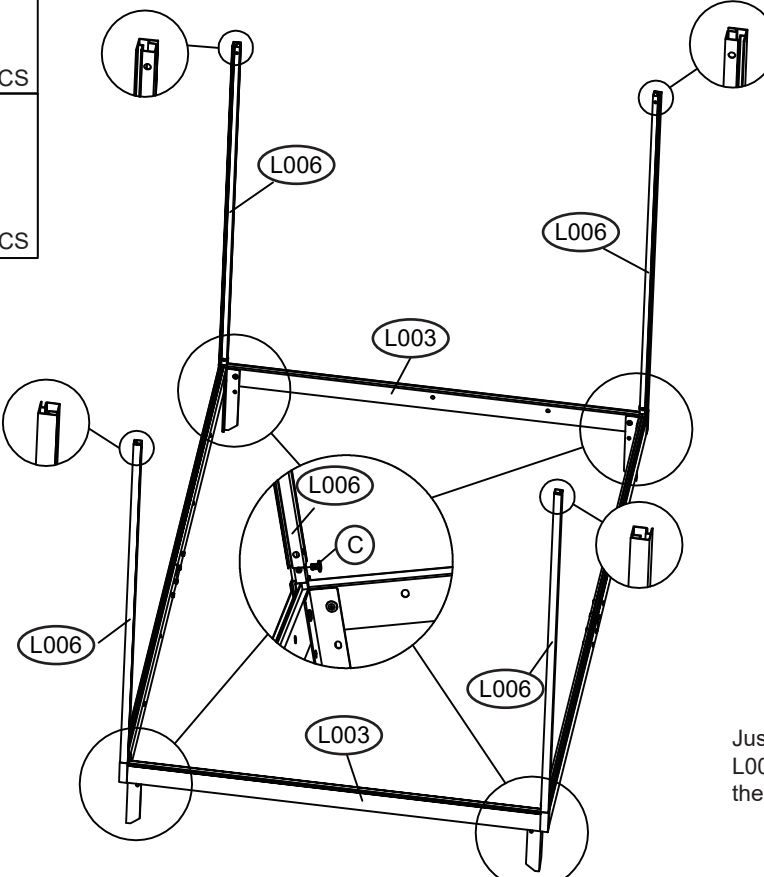


4PCS

C

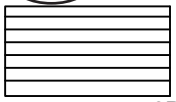



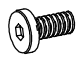
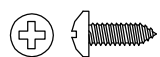


M6*12 4PCS

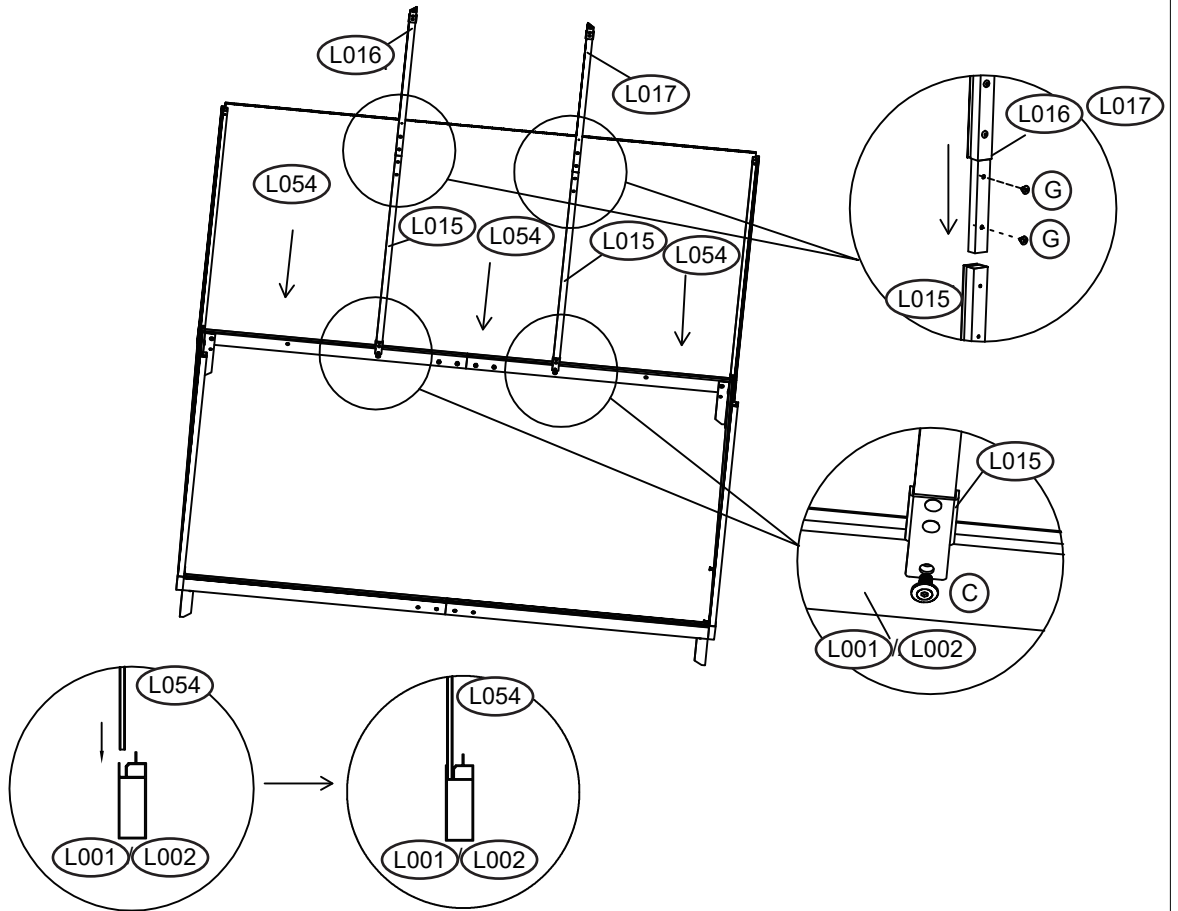




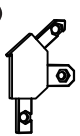

Just choose one hole from Part L006 or L038 to assembly and then tighten the screw.

Installation steps

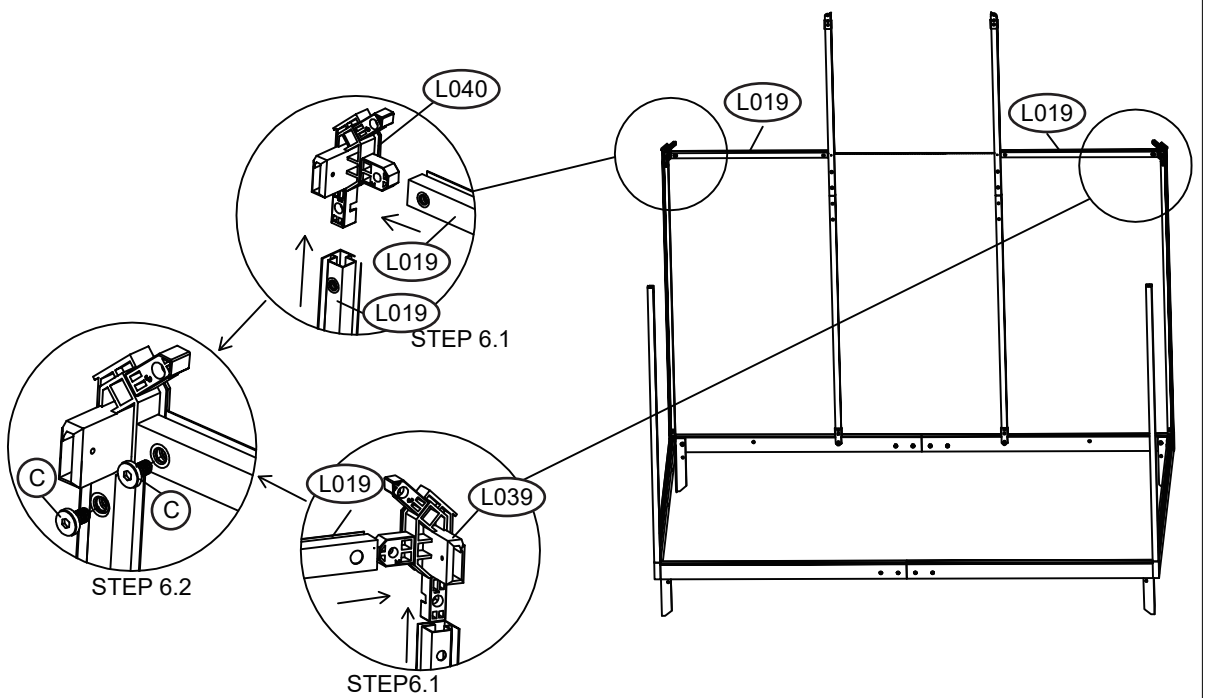
- L054**

3PCS
- L015**

2PCS
- L016**

1PC
- L017**

1PC
- C**

M6*12 2PCS
- G**

M4*12 4PCS

STEP 05

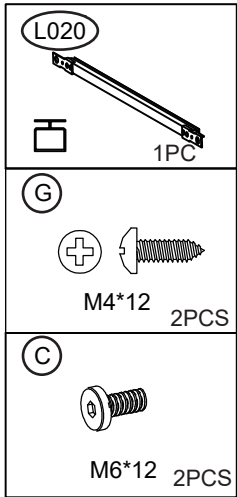


- L019**

2PCS
- C**

4PCS
- L039**

1PC
- L040**

1PC

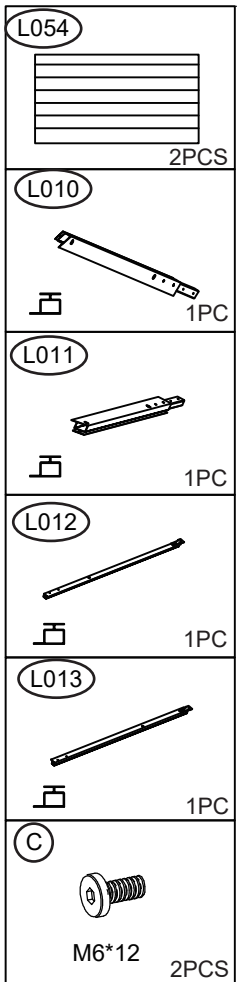
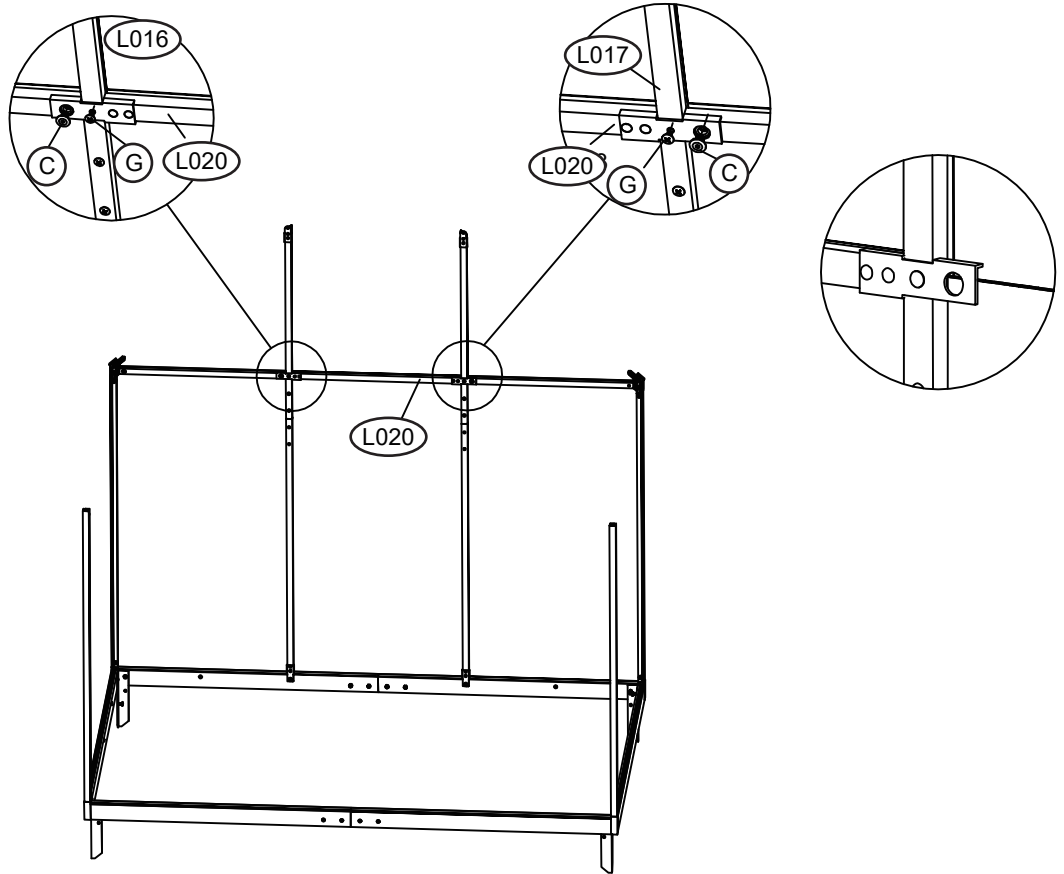
STEP 06



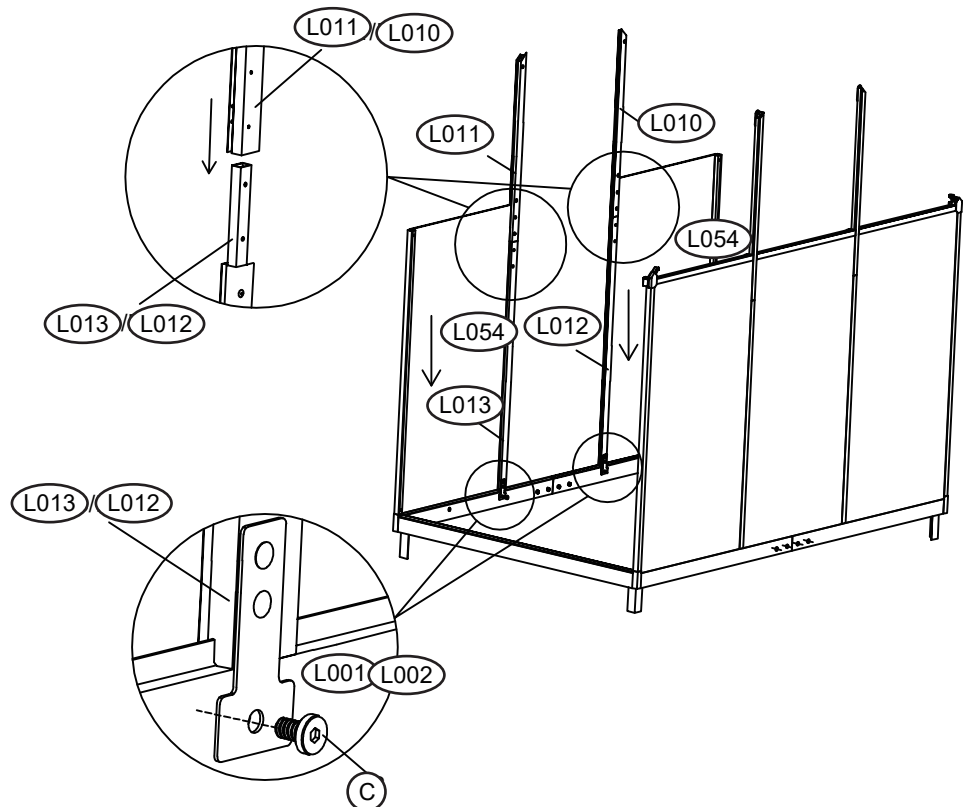
Installation steps



STEP 07


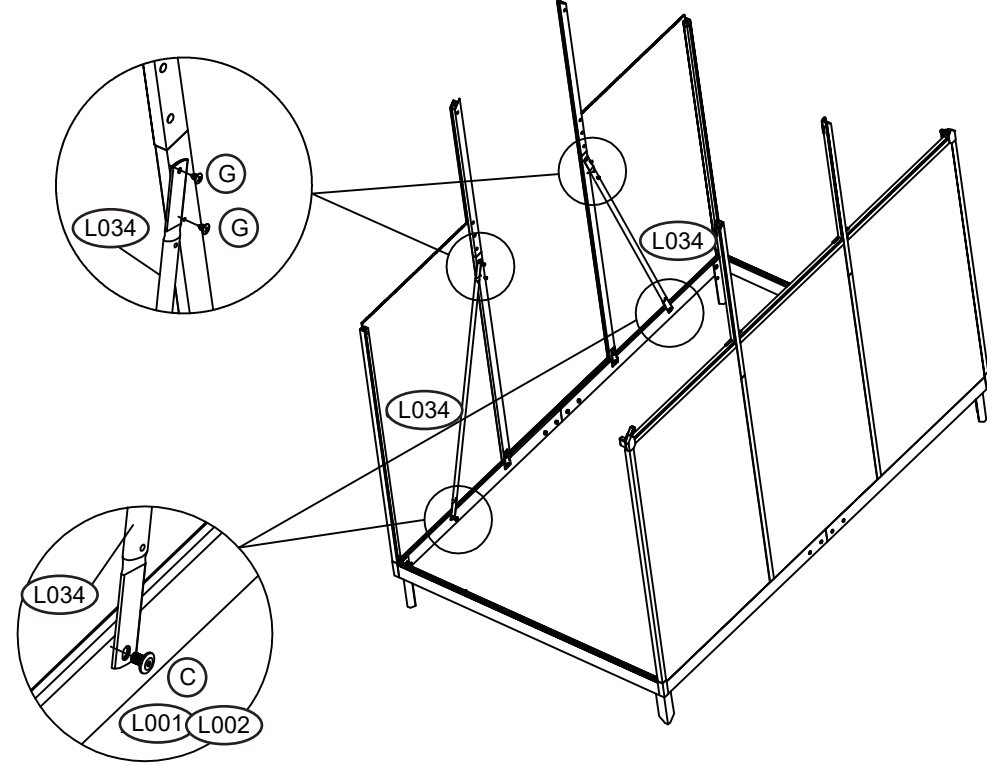
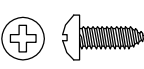



STEP 08

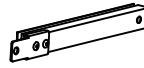
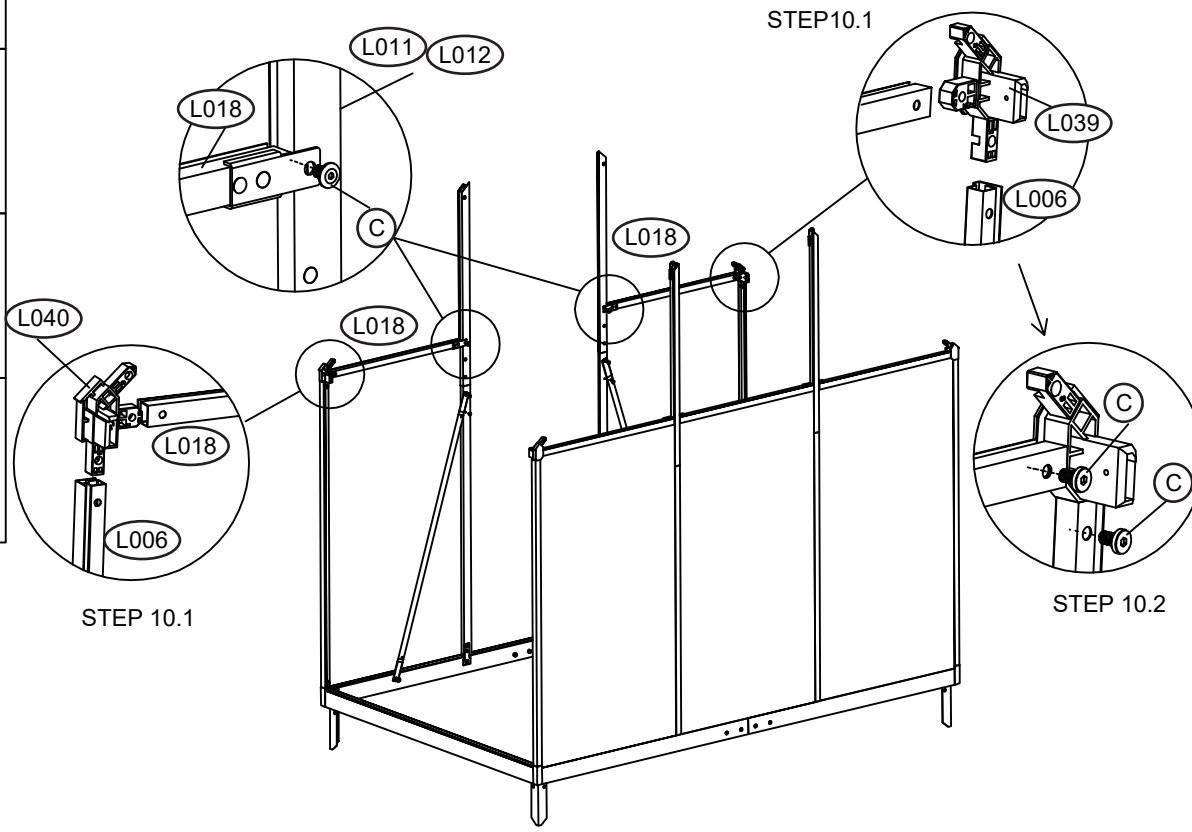
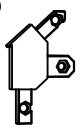




Installation steps

STEP 9

L034  2PCS	
G  M4*12 4PCS	
C  M6*12 2PCS	

STEP 10


L018  2PCS	
L039  1PC	
L040  1PC	
C  M6*12 6PCS	

STEP 10.1

STEP 10.2


Installation steps

L023



2PCS

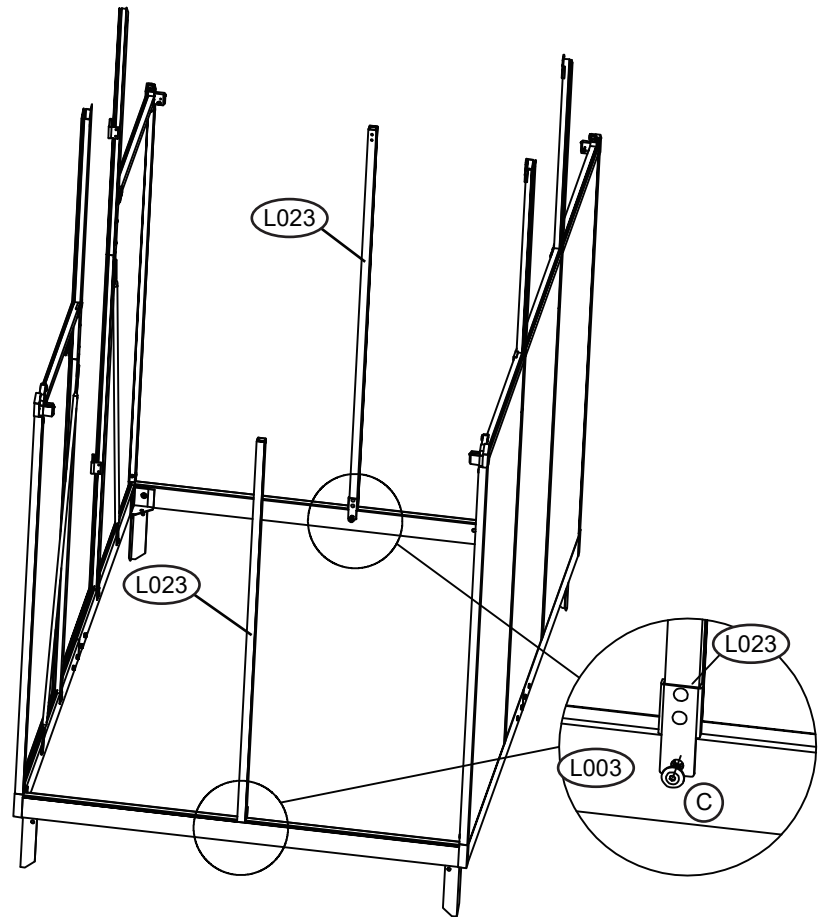
C



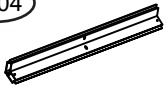
M6*12

2PCS

STEP 11

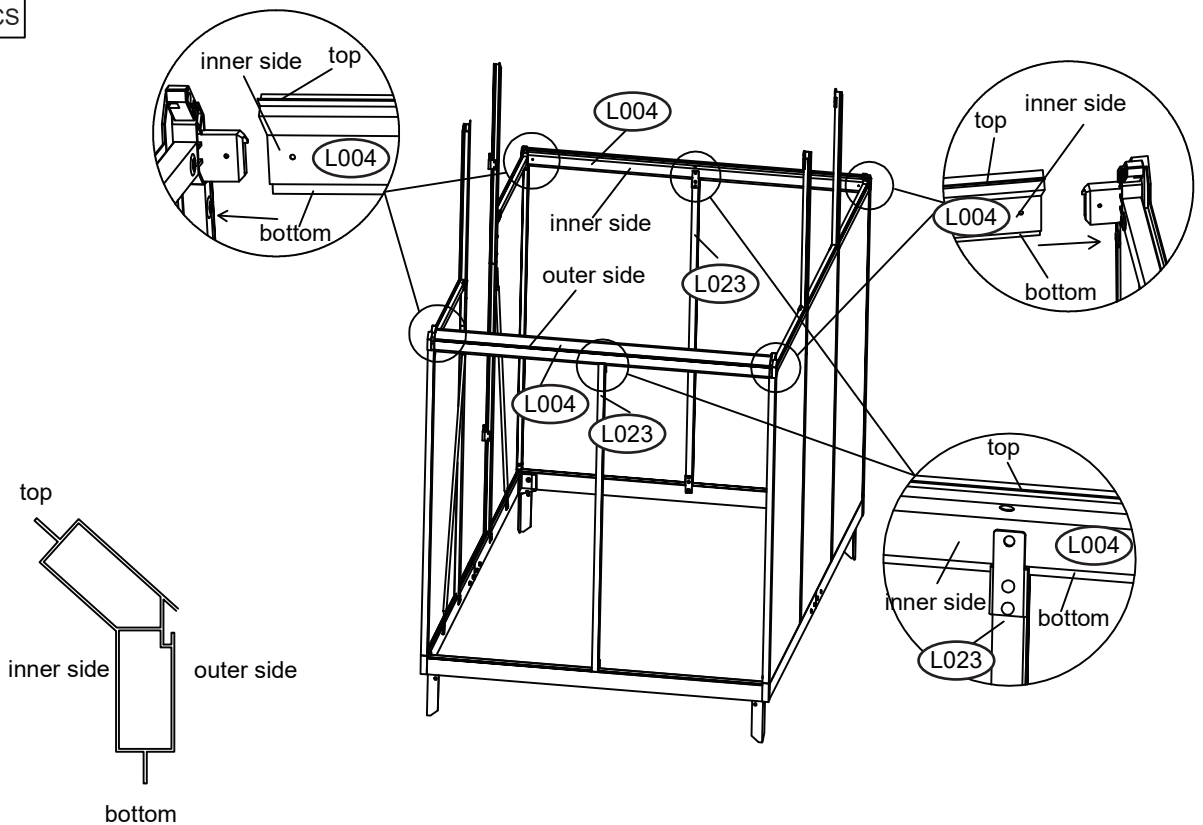


L004



2PCS

STEP 12



Installation steps

STEP 13

L033
2PCS

C
M6*12
4PCS

G
M4*12
4PCS

inner side

outer side

top

bottom

inner side

outer side

STEP 13.1

STEP 13.2

STEP 14

L050
4PCS

L014
1PC

P
2PCS

C
M6*12
4PCS

E1

E2

P5

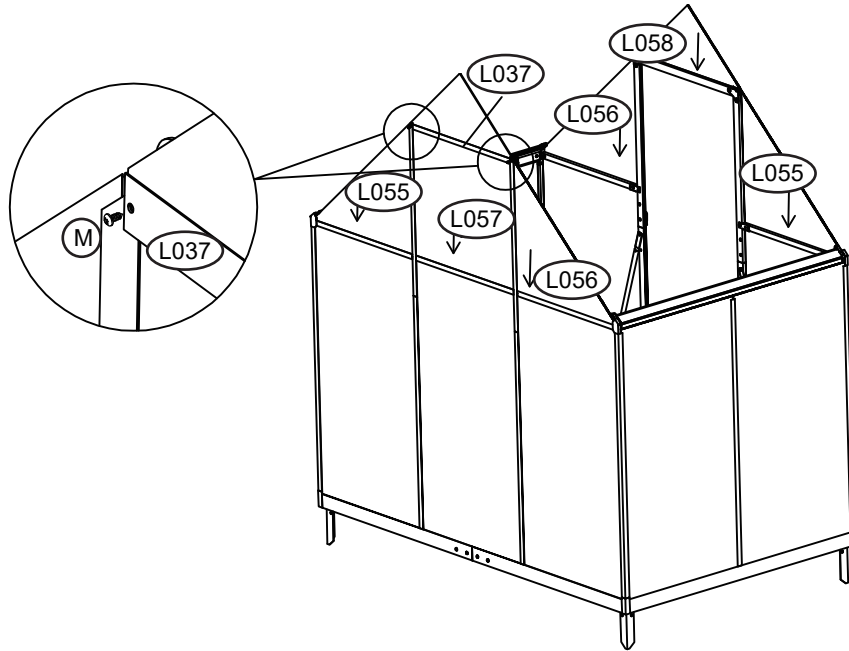
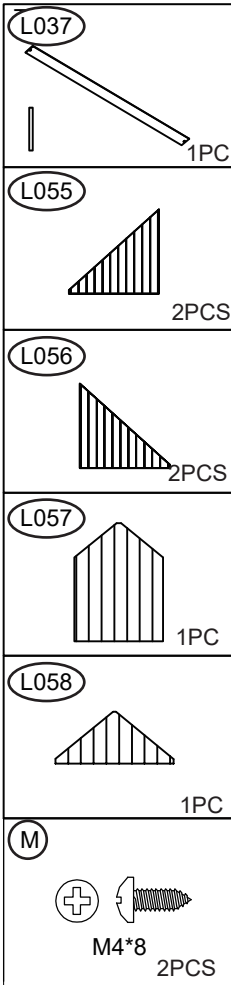
S3

M1

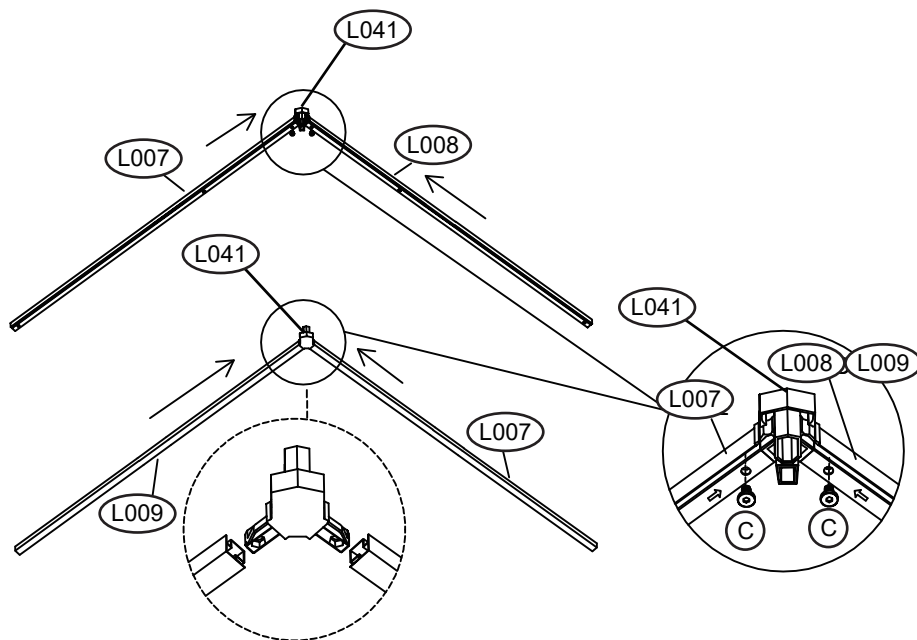
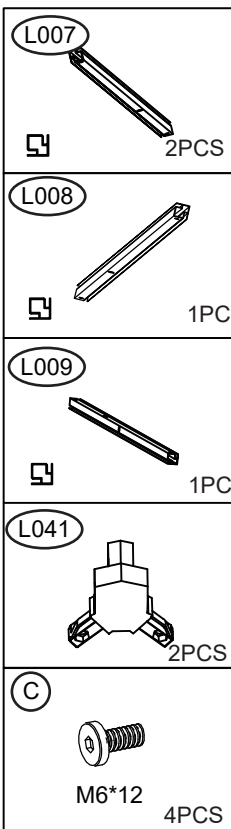
E1-1

Installation steps

STEP 15



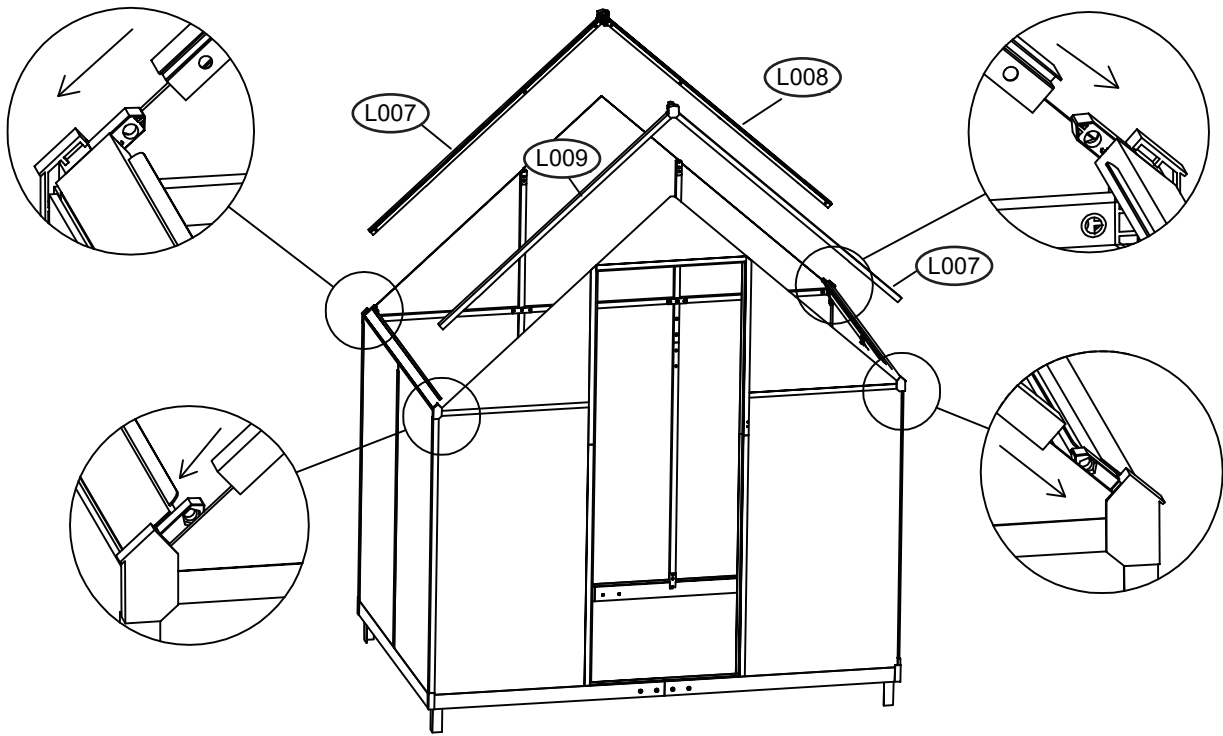
STEP 16



Pay attention to the black arrow sticker on the part L007/L008/L009.

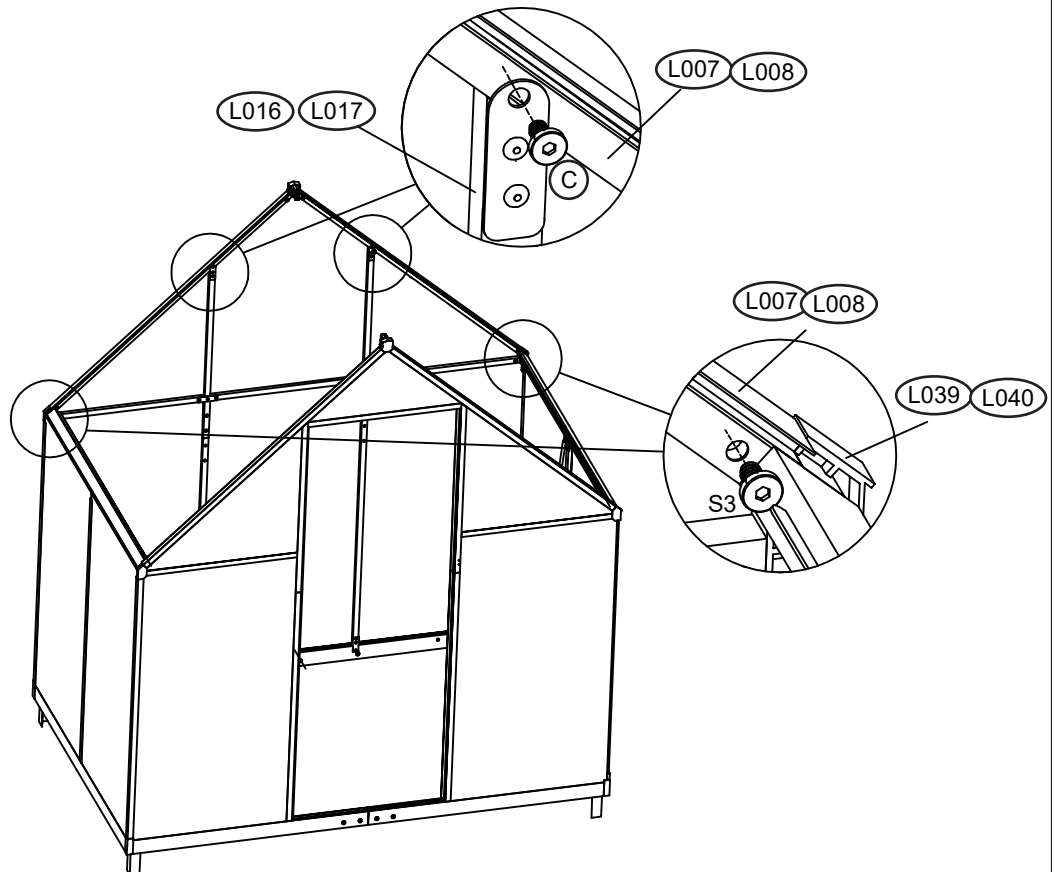
Installation steps

STEP 17



M6*12 4PCS

STEP 18



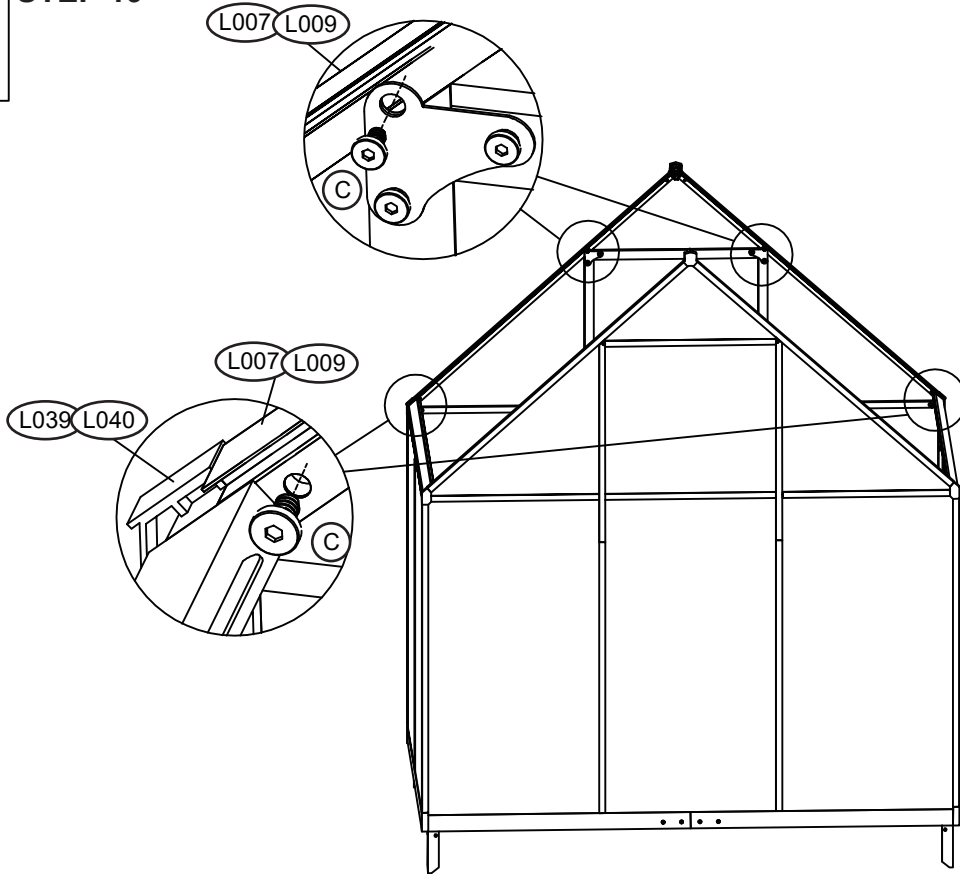
Installation steps

C



M6*12
4PCS

STEP 19



L005



1PC



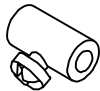
STEP 20

L031

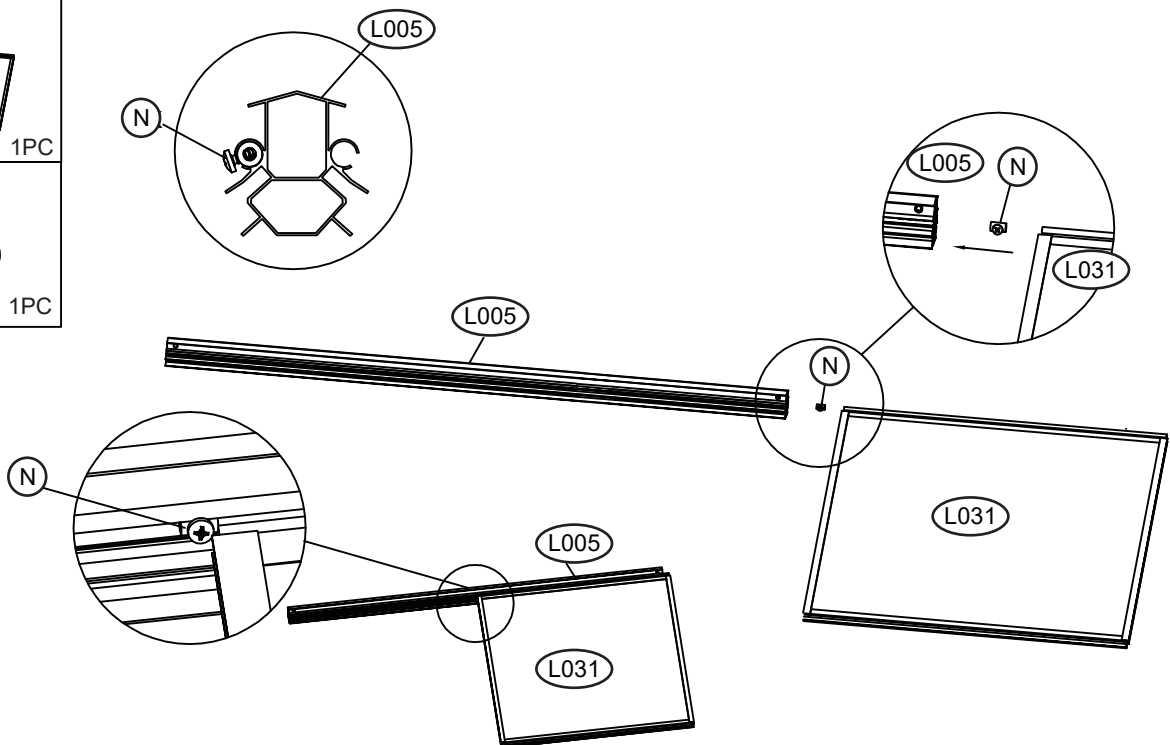


1PC

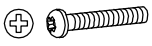
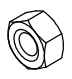
N



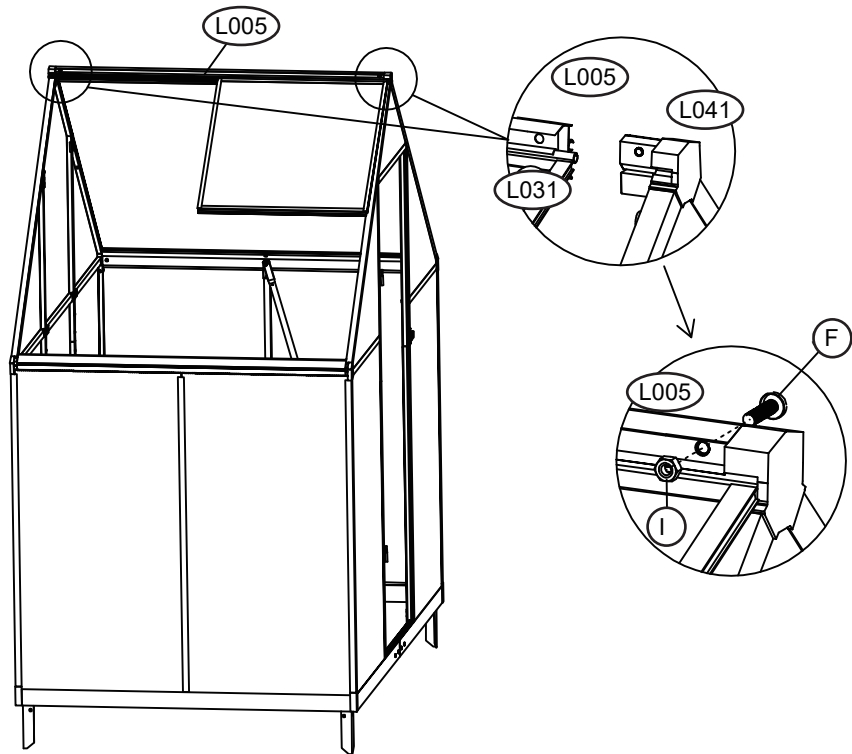
1PC



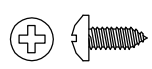




Installation steps

- (F)  M6*25 2PCS
- (I)  M6 2PCS

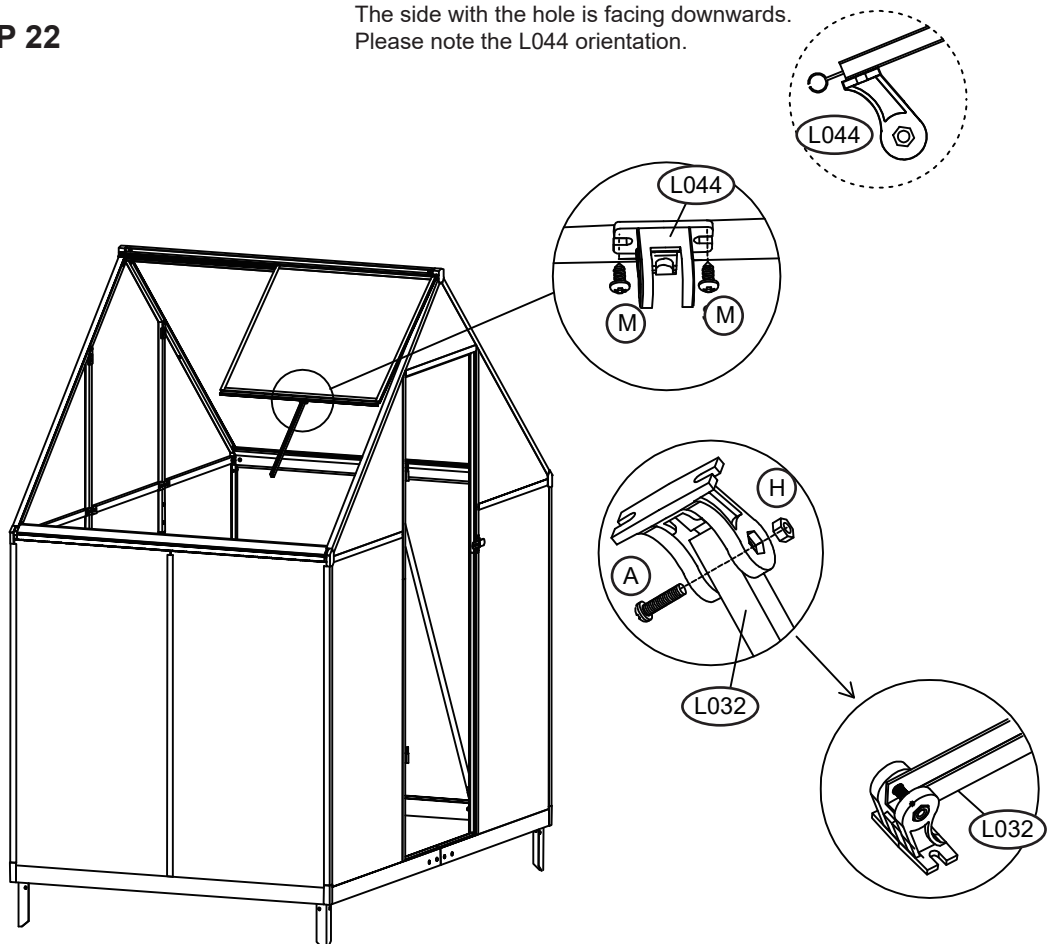
STEP 21



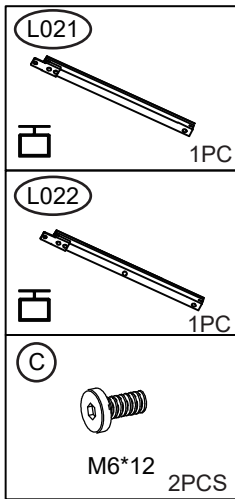
- (L032)  1PC
- (A)  M4*20 1PC
- (M)  M4*8 2PCS
- (H)  M4 1PC
- (L044)  1PC

STEP 22

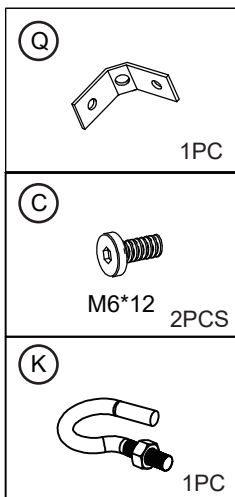
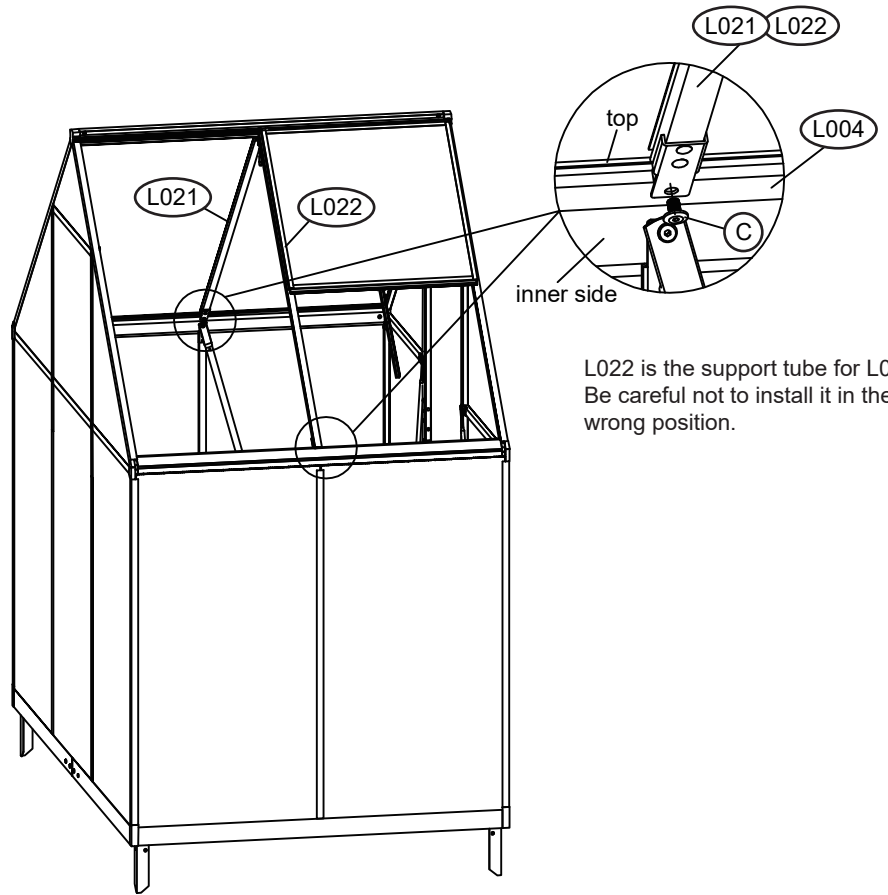
The side with the hole is facing downwards.
Please note the L044 orientation.



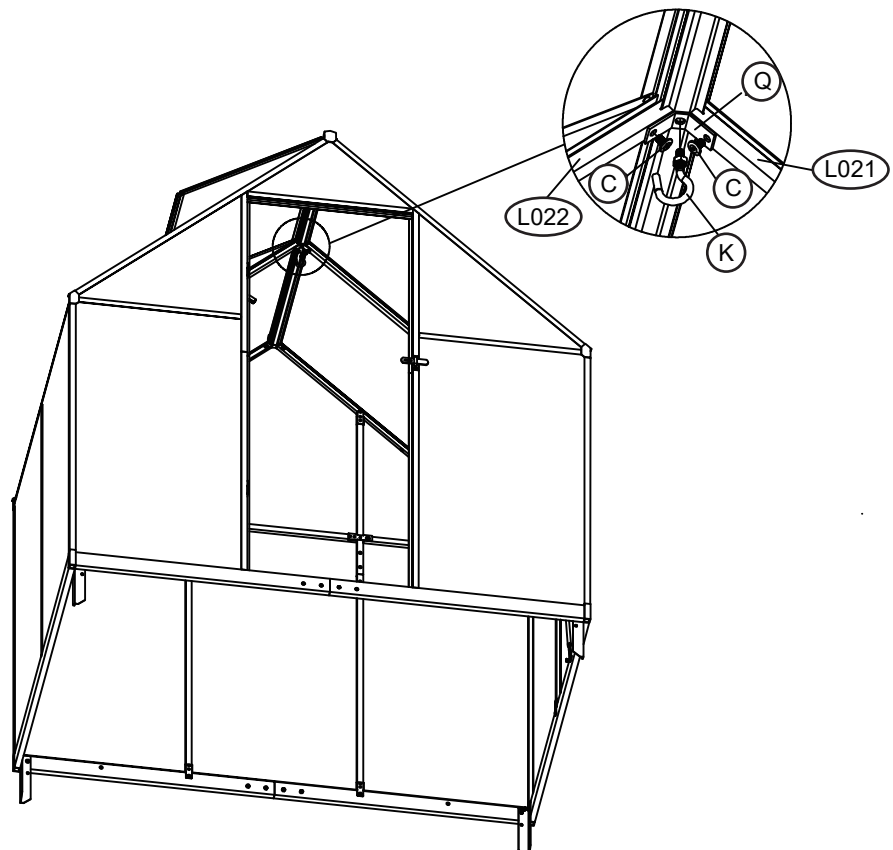
Installation steps



STEP 23

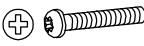



STEP 24

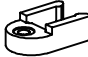



Installation steps

STEP 25

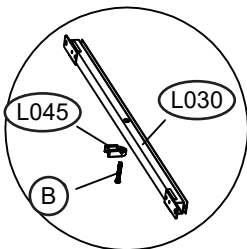
(B)

 M4*32 1PC

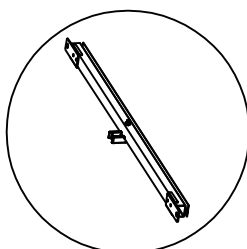
(L030)

 1PC

(L045)

 1PC

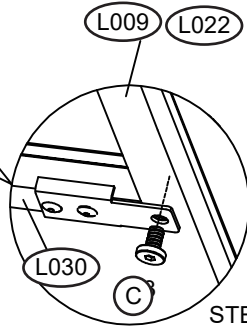
(C)

 M6*12 2PCS

STEP 25.1

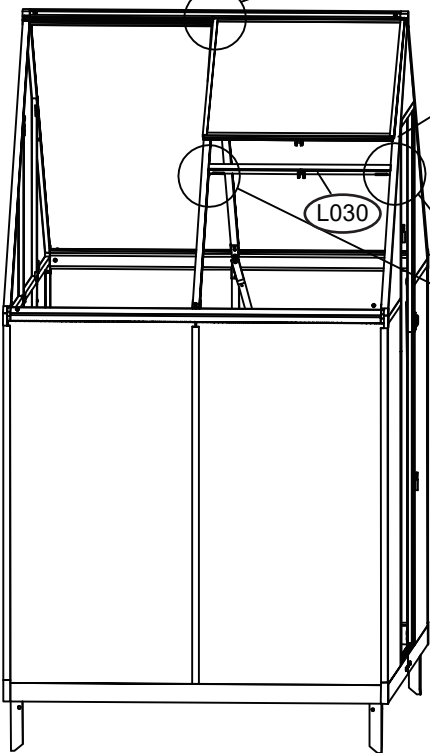





STEP 25.2

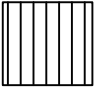


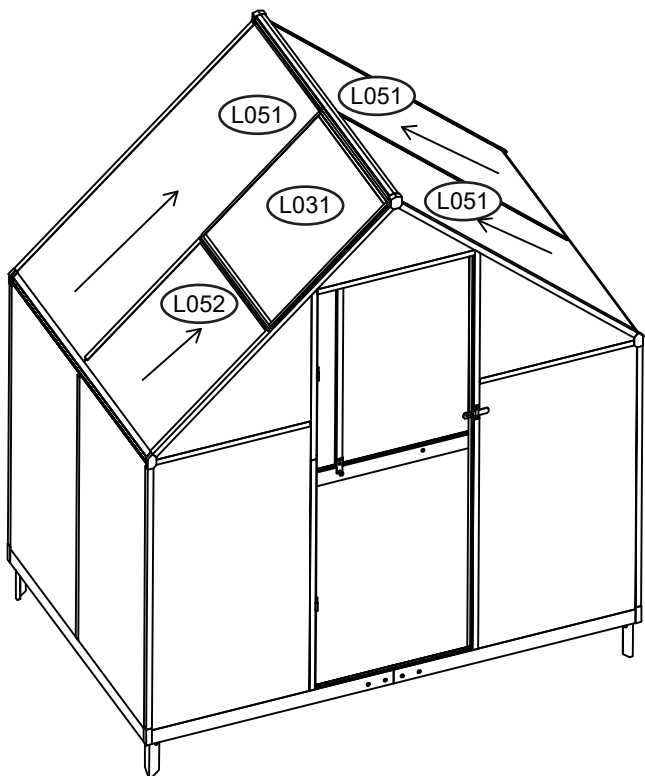
After adjusting the position of window component L031, tighten N.



STEP 26

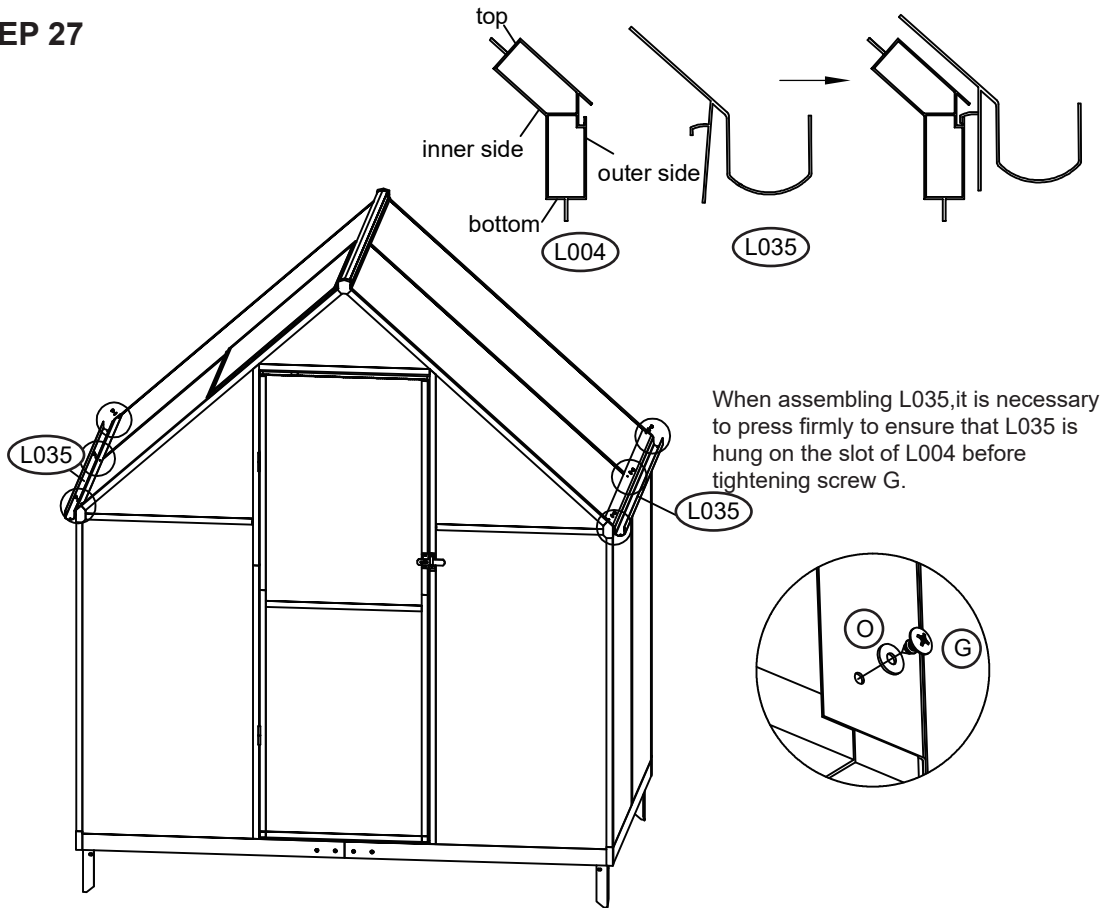
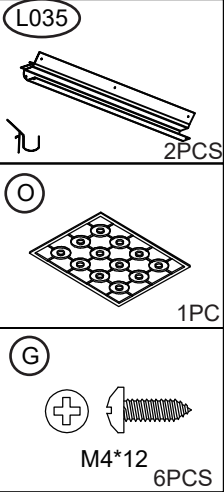
(L051)

 3PCS

(L052)

 1PC

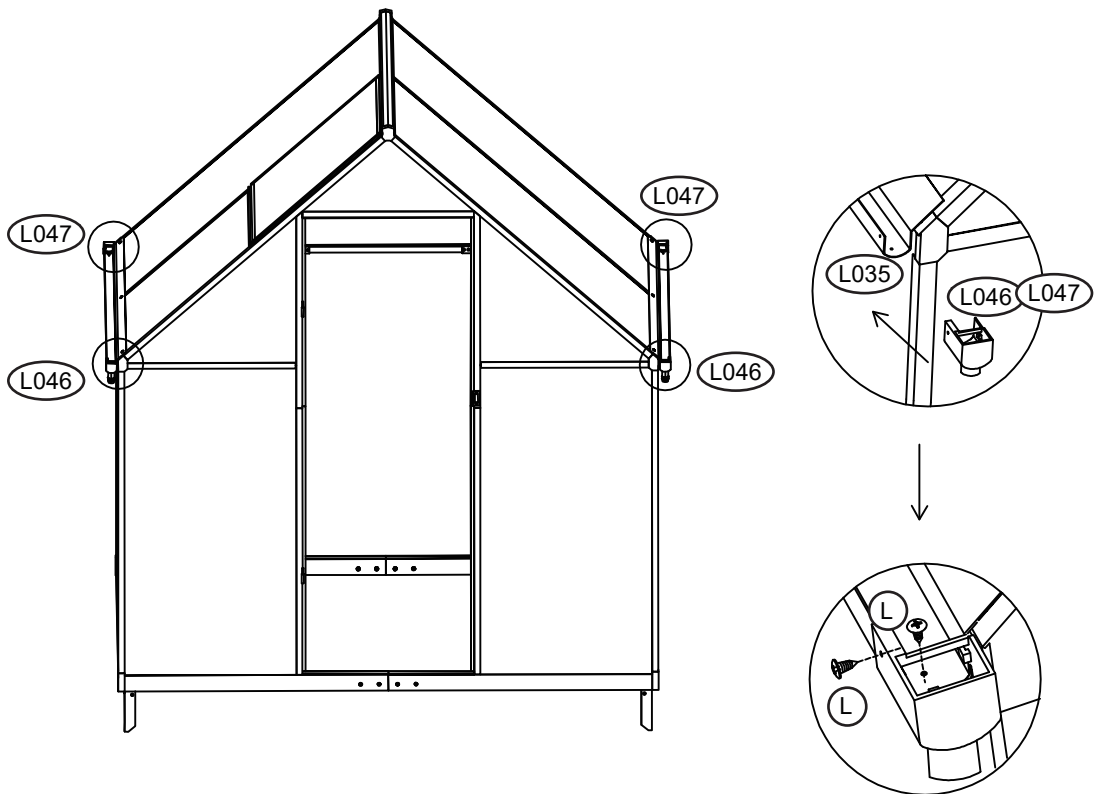
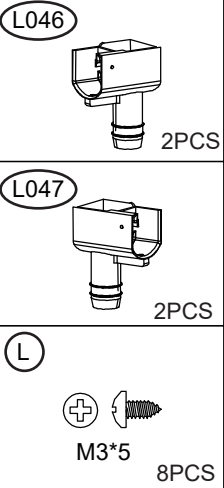


Installation steps

STEP 27

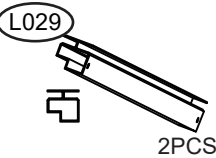
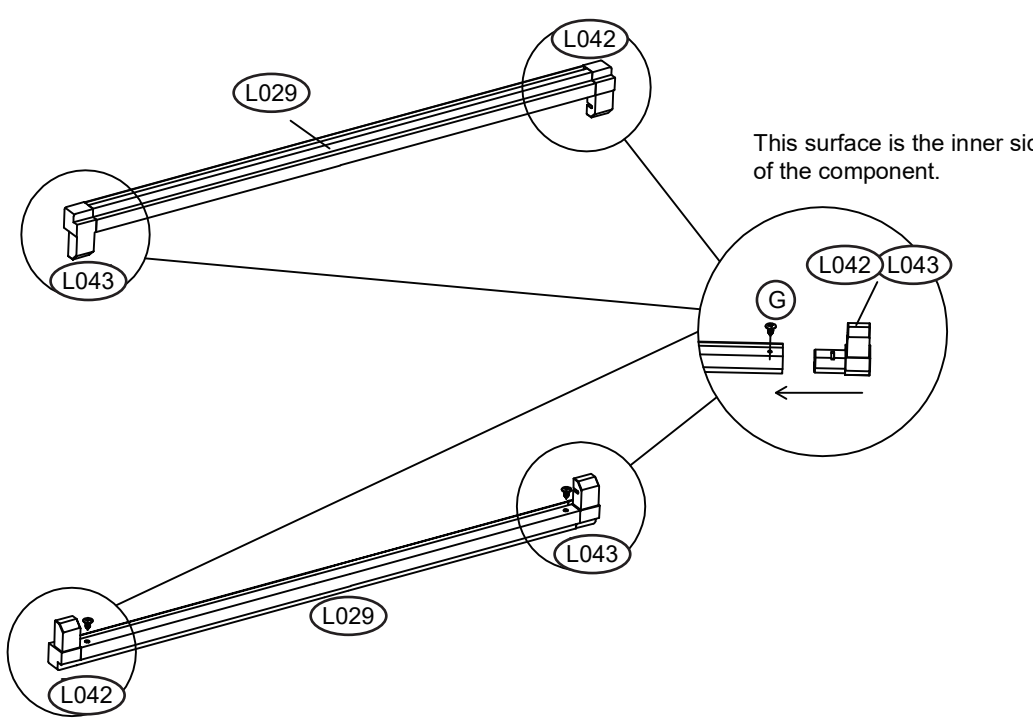
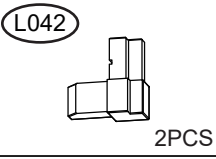
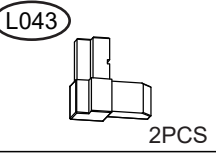
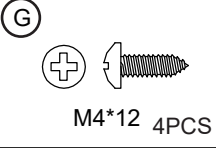


STEP 28

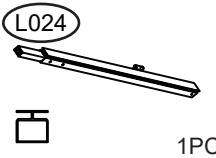
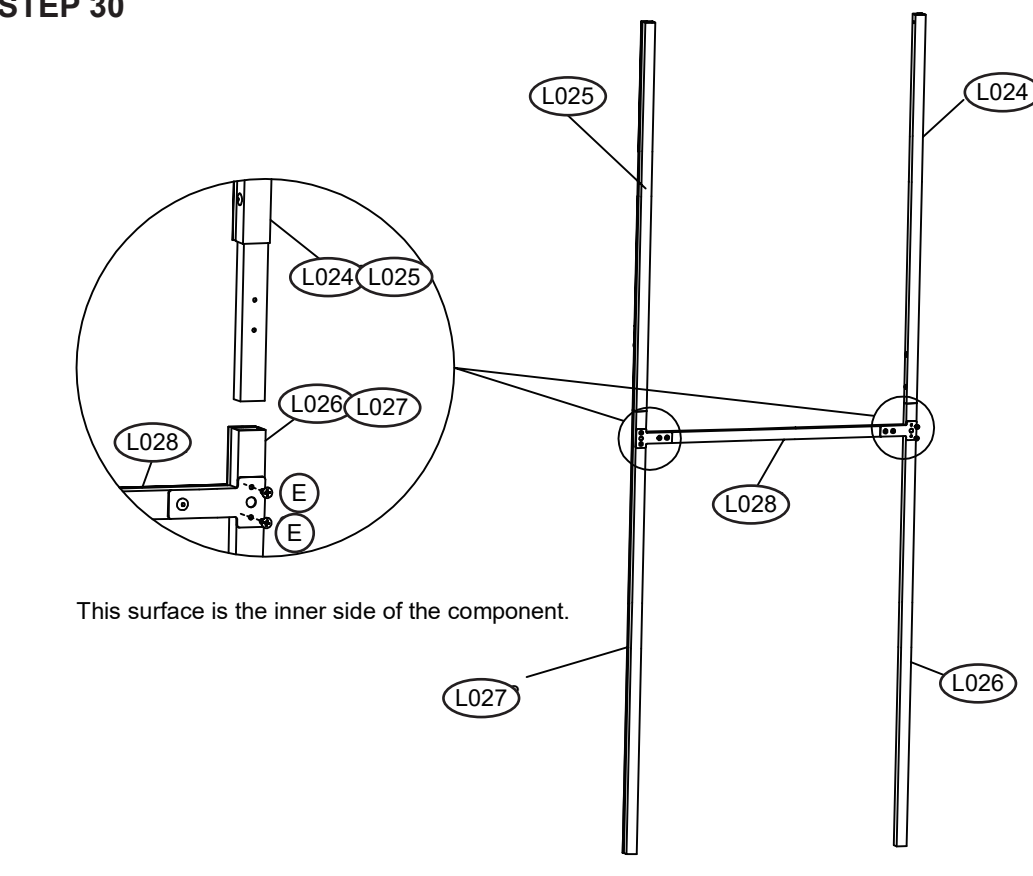
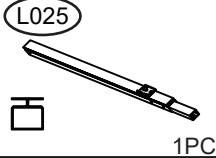
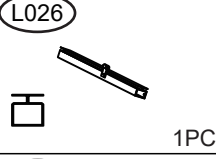
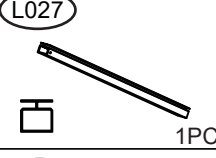
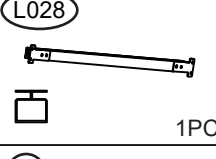
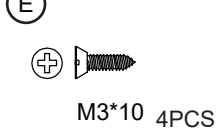


Installation steps

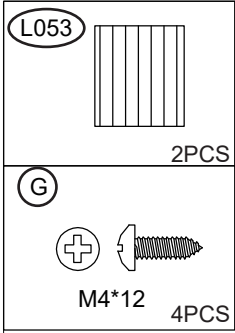
STEP 29

 <p>L029 2PCS</p>	 <p>This surface is the inner side of the component.</p>
 <p>L042 2PCS</p>	
 <p>L043 2PCS</p>	
 <p>G M4*12 4PCS</p>	

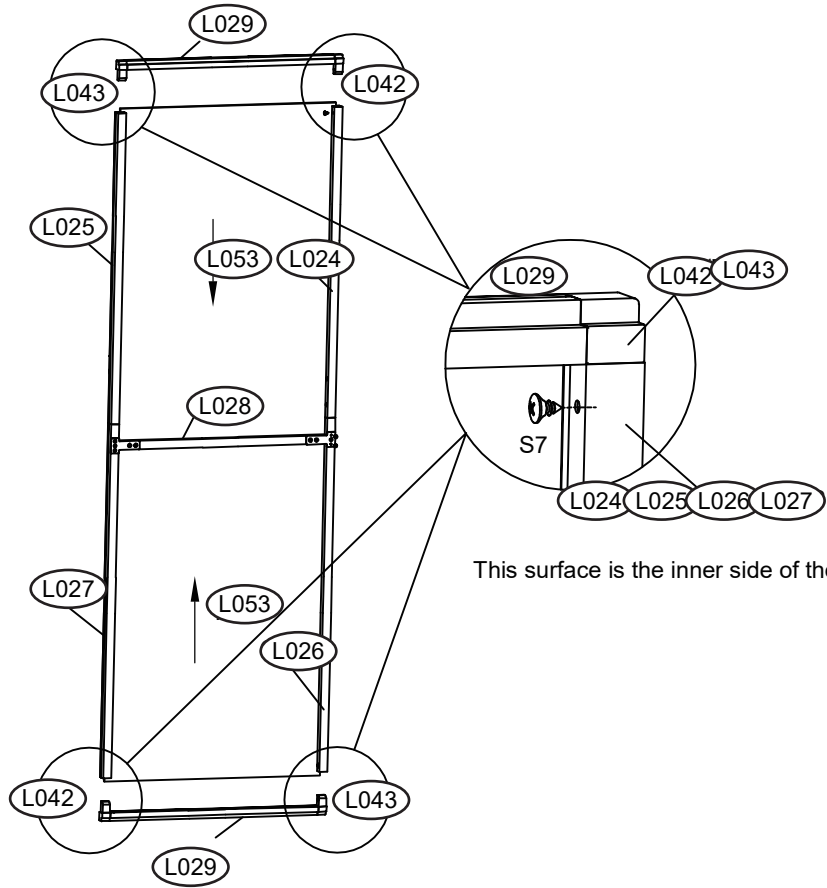
STEP 30

 <p>L024 1PC</p>	 <p>This surface is the inner side of the component.</p>
 <p>L025 1PC</p>	
 <p>L026 1PC</p>	
 <p>L027 1PC</p>	
 <p>L028 1PC</p>	
 <p>E M3*10 4PCS</p>	

Installation steps

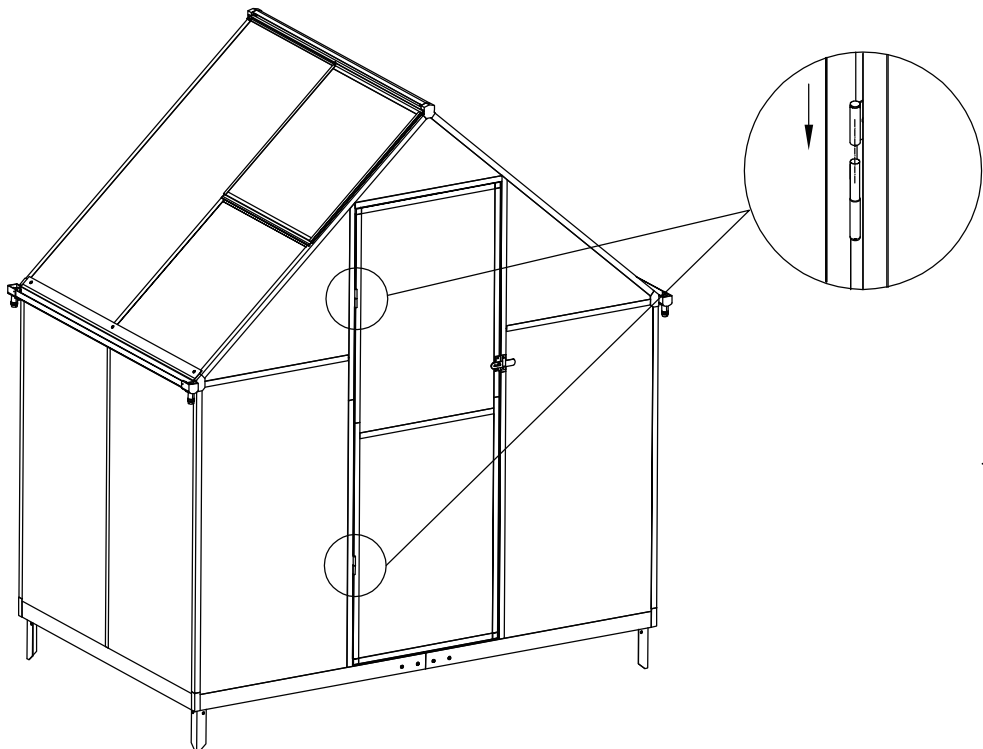


STEP 31

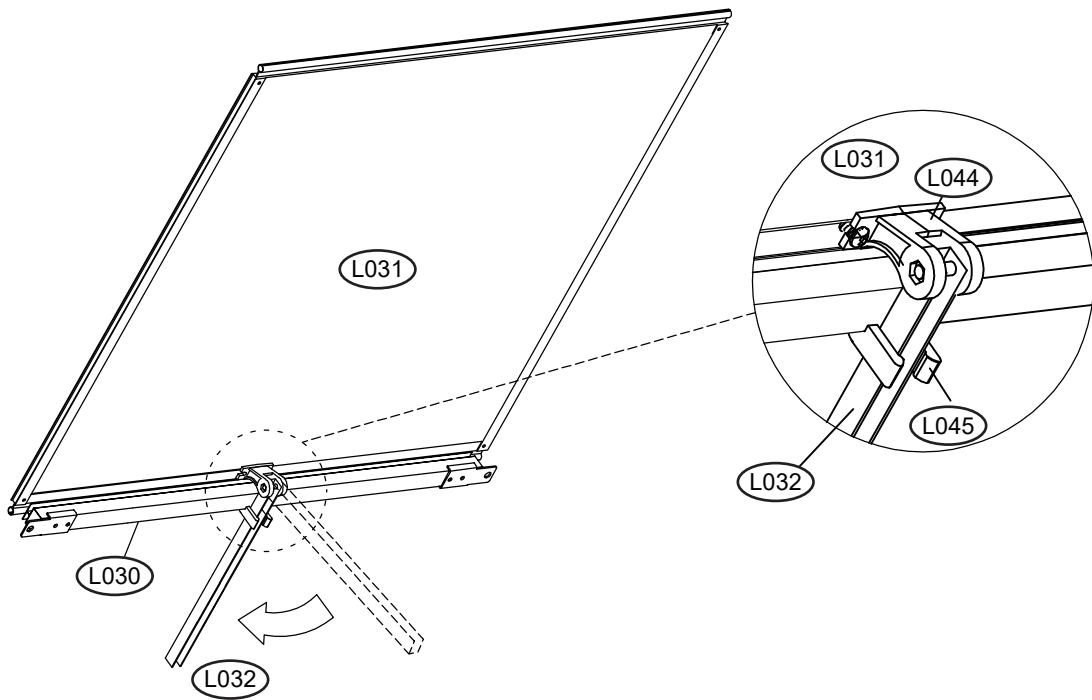


STEP 32

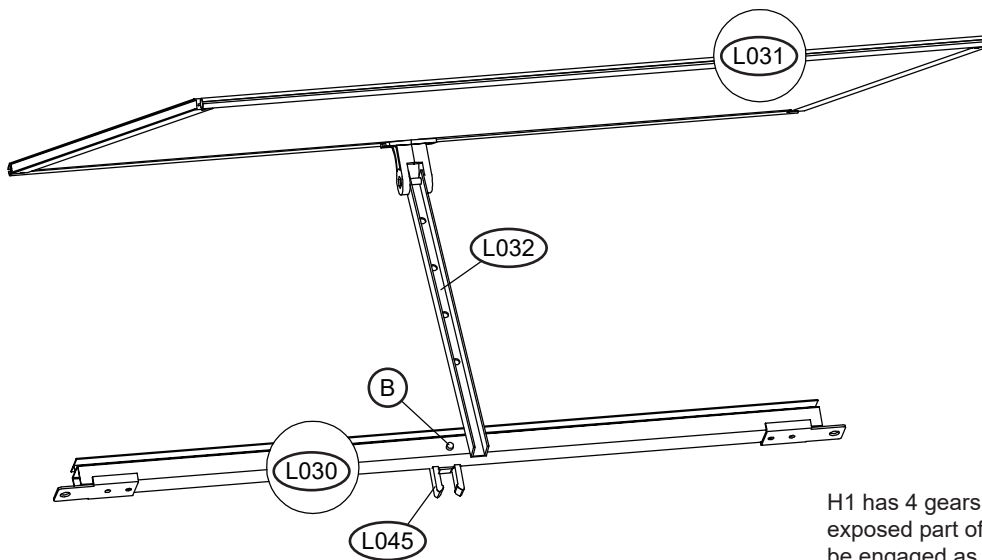
Assembly Completed



Installation steps



Window closed state



Window open status

H1 has 4 gears, and the exposed part of B can be engaged as needed.

