



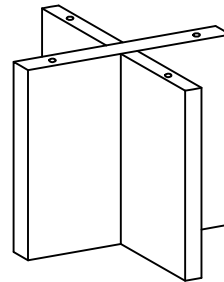
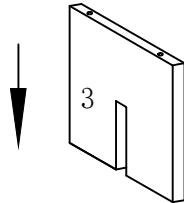


ASSEMBLY INSTRUCTIONS

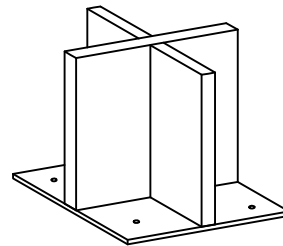
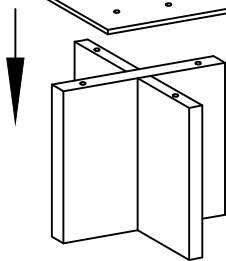
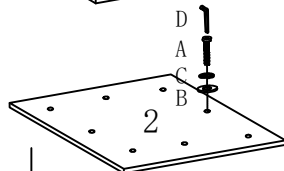
NO	Parts list	QTY
1	table top	1pcs
2	Connection board	1pcs
3	foot box	1pcs
4	foot box	1pcs

NO	Hardware	QTY
A	 Ø 1/4"*1-1/8"Bolt	8pcs
B	 Ø1/4"*19mm Flat washer	8pcs
C	 Ø1/4" Spring washer	8pcs
D	 Ø1/4" All-Wrench	1pcs

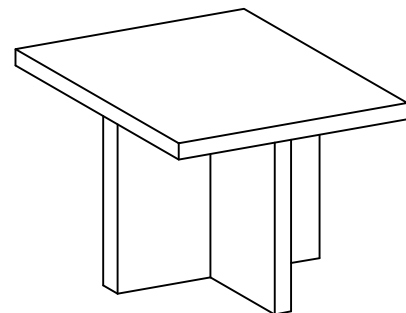
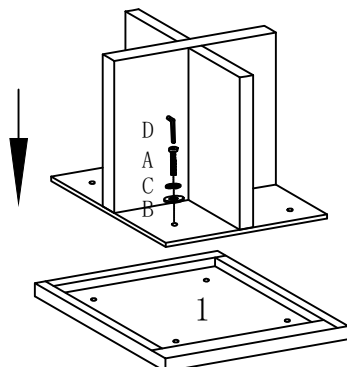
step 1



step 2



step 3



Do not tighten screws until completely assembled