

United
States
of
America



To Promote the Progress



of Science and Useful Arts

The Director

of the United States Patent and Trademark Office has received an application for a patent for a new, original, and ornamental design for an article of manufacture. The title and description of the design are enclosed. The requirements of law have been complied with, and it has been determined that a patent on the design shall be granted under the law.

Therefore, this United States

Patent

grants to the person(s) having title to this patent the right to exclude others from making, using, offering for sale, or selling the design throughout the United States of America or importing the design into the United States of America for the term set forth by law.

Katherine Kelly Vidal

DIRECTOR OF THE UNITED STATES PATENT AND TRADEMARK OFFICE

Maintenance Fee Notice

No maintenance fees are required in design patents.

Patent Term Notice

If the application for this patent was filed on or after May 13, 2015, the term of this patent is 15 years from the date of grant of this patent, subject to any disclaimer under 35 U.S.C. 253. If the application for this patent was filed prior to May 13, 2015, the term of this patent is 14 years from the date of grant of this patent, subject to any disclaimer under 35 U.S.C. 253.



USOD1046481S

(12) **United States Design Patent**
Yang

(10) **Patent No.:** **US D1,046,481 S**

(45) **Date of Patent:** **** Oct. 15, 2024**

- (54) **ARMCHAIR**
- (71) Applicant: **GIGACLOUD TECHNOLOGY (USA) INC.**, Ave City of Industry, CA (US)
- (72) Inventor: **Jinhua Yang**, Jiangsu (CN)
- (73) Assignee: **GIGACLOUD TECHNOLOGY (USA) INC.**, Ave City of Industry, CA (US)
- (**) Term: **15 Years**
- (21) Appl. No.: **29/937,085**
- (22) Filed: **Apr. 12, 2024**
- (51) **LOC (14) Cl.** **06-01**
- (52) **U.S. Cl.**
USPC **D6/374**
- (58) **Field of Classification Search**
USPC D6/367, 371, 373, 374, 375, 376, 379, D6/380, 381
CPC A47C 1/02; A47C 1/028; A47C 1/024; A47C 1/023; A47C 3/16
See application file for complete search history.

D362,353 S	*	9/1995	Natuzzi	D6/381
D400,022 S	*	10/1998	Hutton	D6/379
D532,622 S	*	11/2006	Nastri	D6/381
D551,461 S	*	9/2007	Ricci	D6/381
D770,788 S		11/2016	Bonneywell	
D785,961 S	*	5/2017	Taillard	D6/374
D986,616 S	*	5/2023	Shahzad	D6/374
D1,011,060 S	*	1/2024	Tian	D6/374
D1,011,065 S	*	1/2024	Tian	D6/381

OTHER PUBLICATIONS

"Merax Modern Style Chenille Oversized Armchair . . ." Apr. 20, 2023, amazon.com, site visited May 30, 2024 <https://www.amazon.com/Merax-Chenille-Oversized-Armchair-Bedroom/dp/B0C341LPJ7?th=1> (Year: 2023).*

* cited by examiner

Primary Examiner — Paul D Bohannon
(74) *Attorney, Agent, or Firm* — Kunzler Bean & Adamson, PC; Michael Bartholomew

(57) **CLAIM**

The ornamental design for an armchair as shown and described.

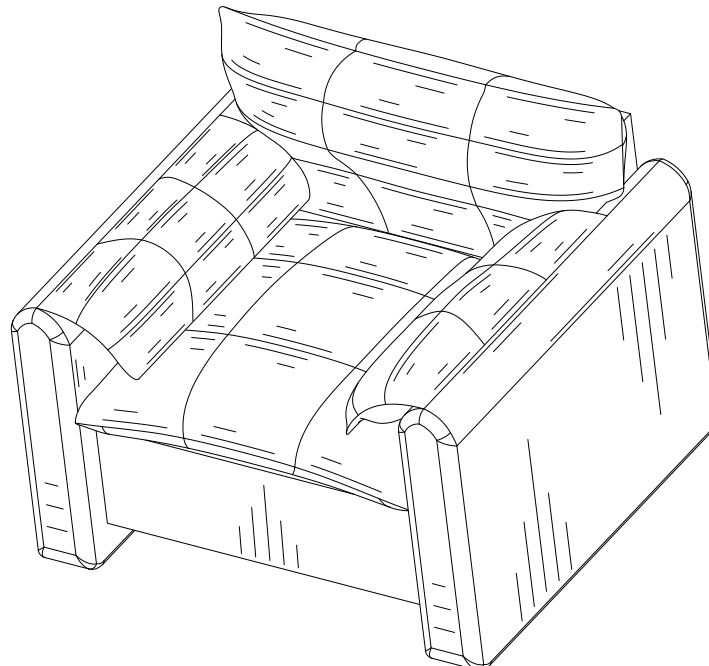
DESCRIPTION

- FIG. 1 is a front, right and top perspective view of an armchair, showing my design.
- FIG. 2 is a rear, left and bottom perspective view thereof.
- FIG. 3 is a front elevation view thereof.
- FIG. 4 is a rear elevation view thereof.
- FIG. 5 is a left side elevation view thereof.
- FIG. 6 is a right side elevation view thereof.
- FIG. 7 is a top plan view thereof; and,
- FIG. 8 is a bottom plan view thereof.

1 Claim, 8 Drawing Sheets

(56) **References Cited**
U.S. PATENT DOCUMENTS

D179,767 S	*	2/1957	Gera	D6/380
D219,444 S	*	12/1970	Chichester, Jr.	D6/375
D222,451 S	*	10/1971	Lamb	D6/371
D227,957 S	*	7/1973	Winrow	D6/373
D278,872 S	*	5/1985	Roset	D6/381
D281,554 S	*	12/1985	Stuenkel	D6/381
D355,537 S		2/1995	Geier	
D362,347 S	*	9/1995	Karl	D6/334



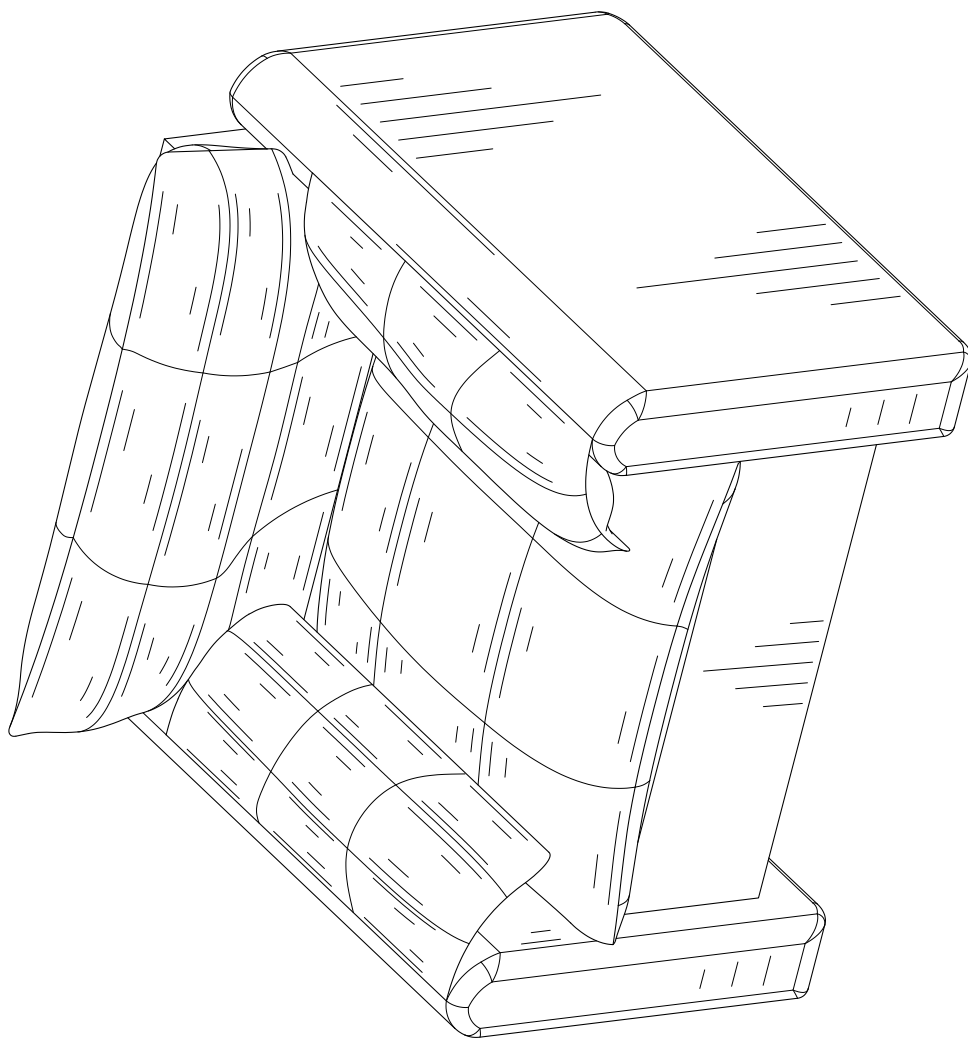


FIG. 1

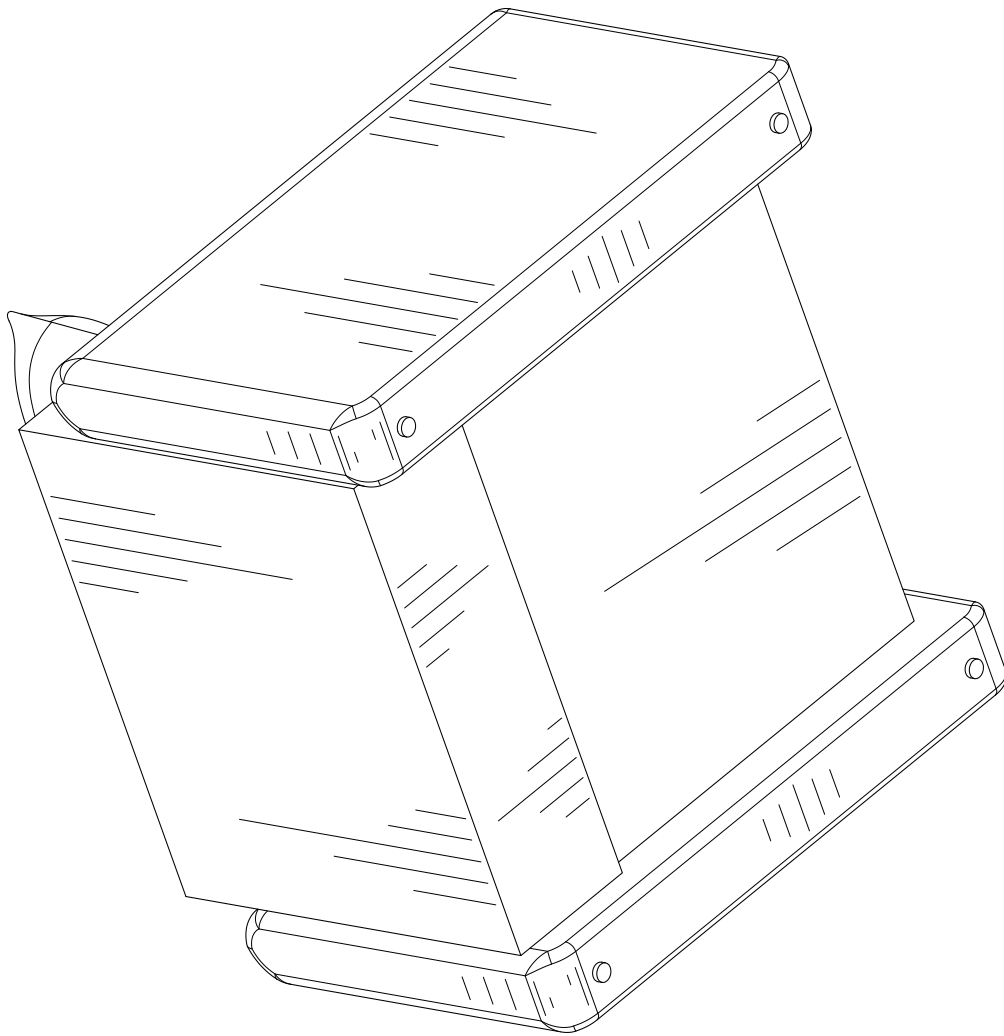


FIG.2

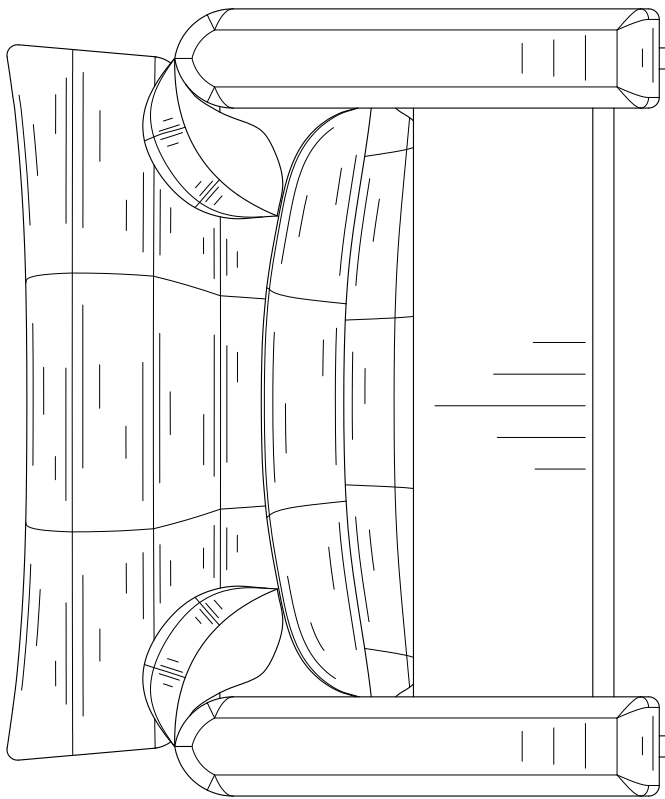


FIG. 3

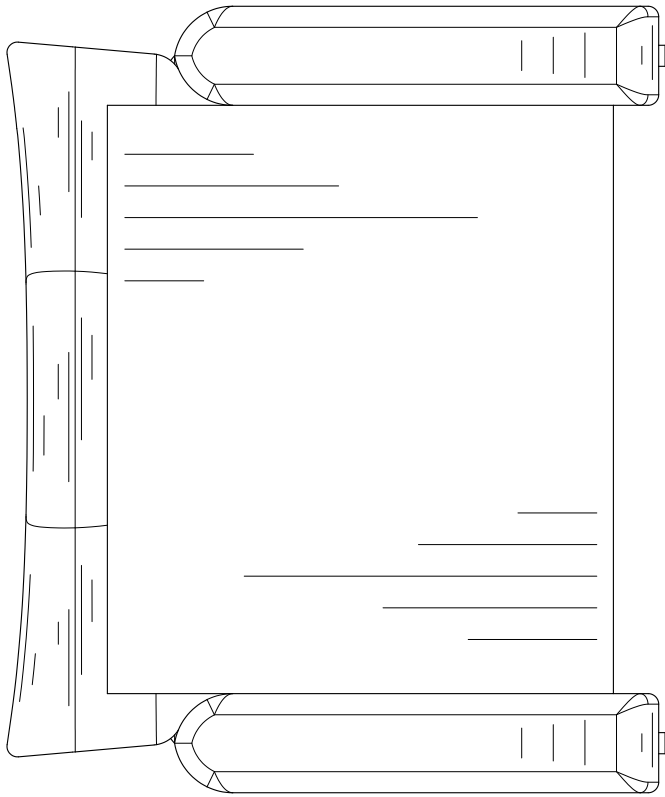


FIG. 4

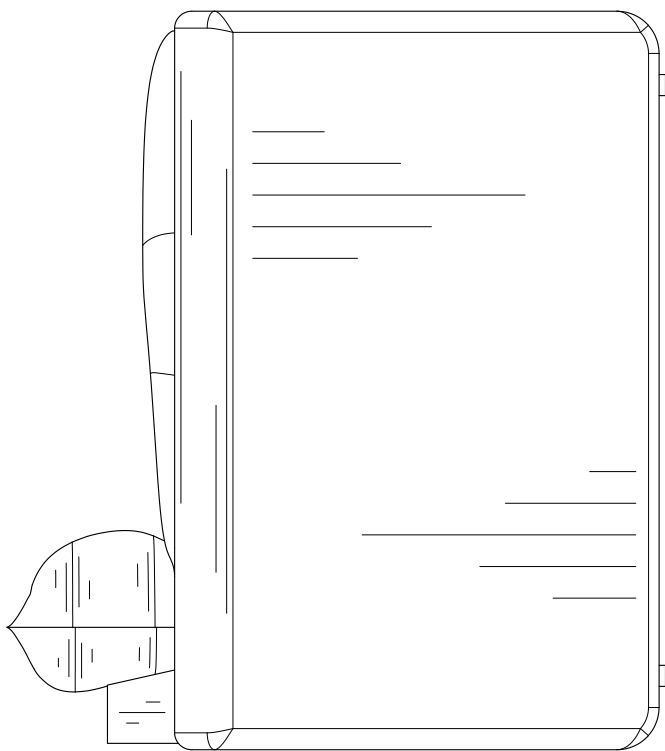


FIG. 5

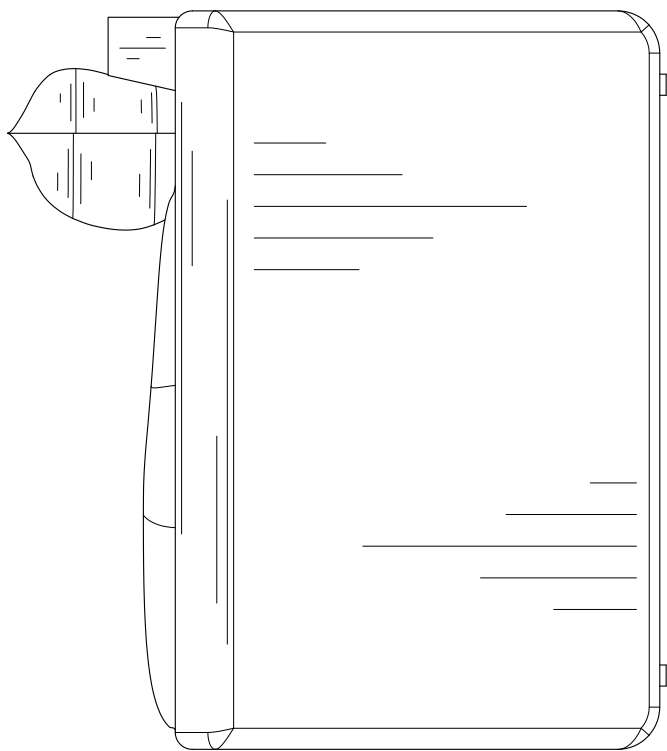


FIG. 6

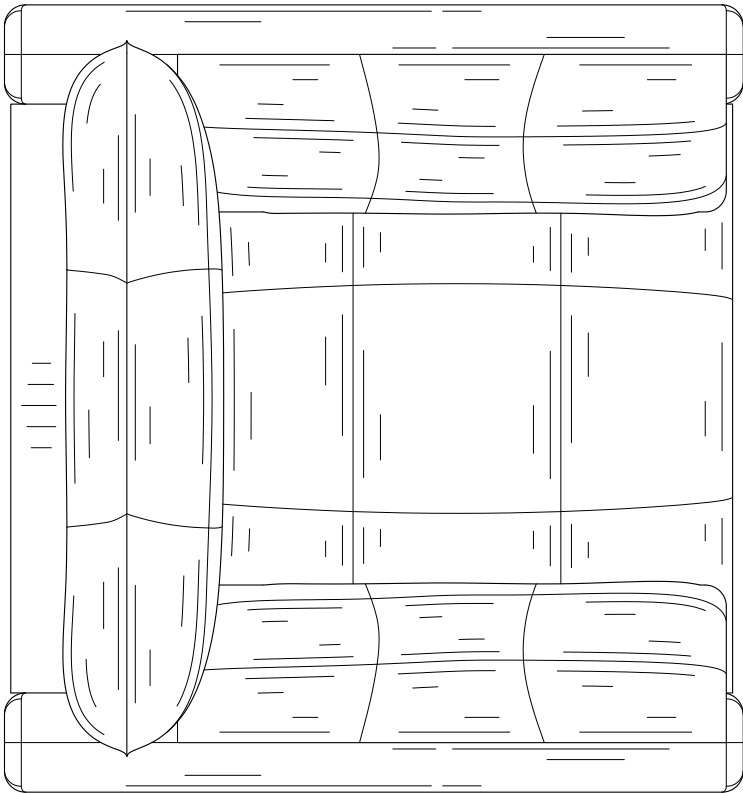


FIG. 7

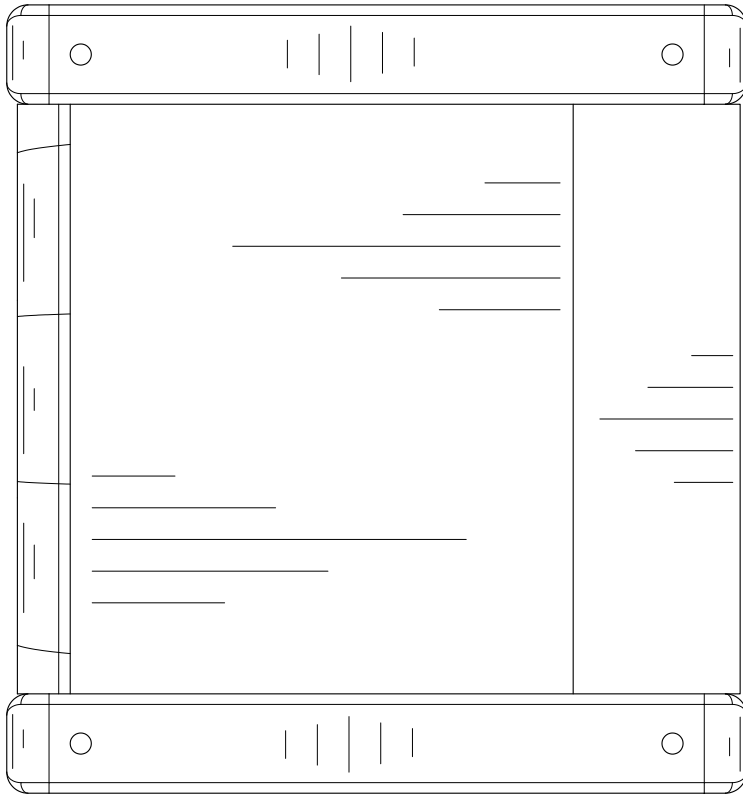


FIG. 8