






ASSEMBLY INSTRUCTIONS

DINING TABLE

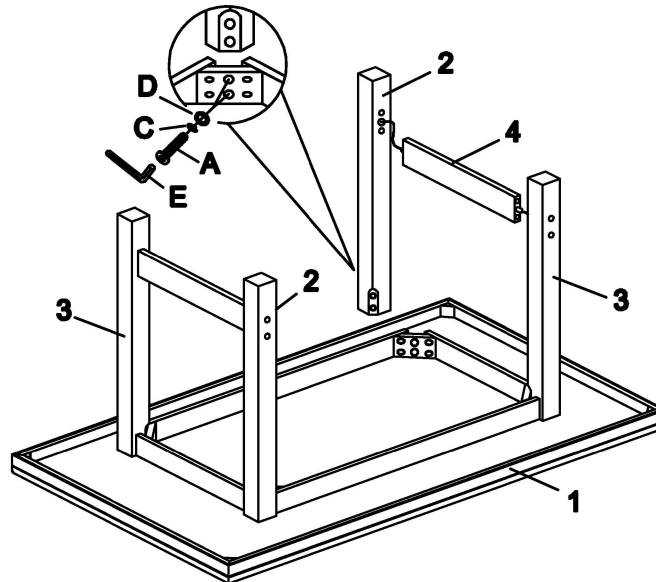
Important note :

- Place all wooden parts on a clean and smooth surface such as a rug or carpet to avoid scratching the parts.
- Kindly follow the assembly instructions step by step.
- Do not tighten all screws and bolts until the table is fully assembled.

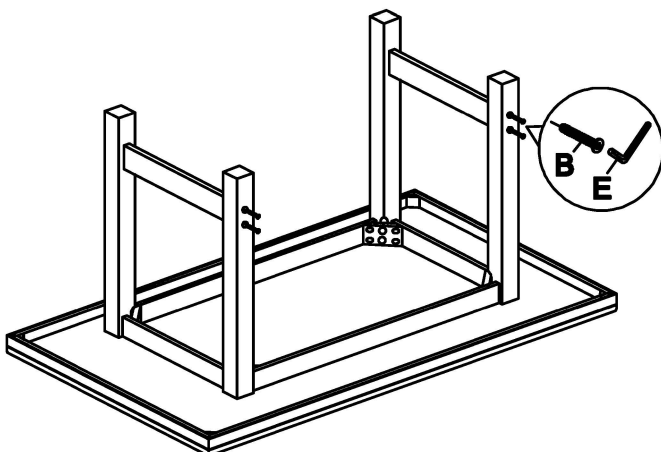
| NO | COMPONENT | QTY |
|----|------------|-----|
| 1 | TABLE TOP | 1 |
| 2 | LEFT LEG | 2 |
| 3 | RIGHT LEG | 2 |
| 4 | STRETCHER | 2 |
| 5 | LEG ACCENT | 4 |

| NO | HARDWARE | QTY |
|----|---|-----|
| A | BOLT (SHORT)  | 8 |
| B | BOLT (LONG)  | 8 |
| C | SPRING WASHER  | 8 |
| D | FLAT WASHER  | 8 |
| E | ALLEN KEY  | 1 |

STEP 1



STEP 2



STEP 3

